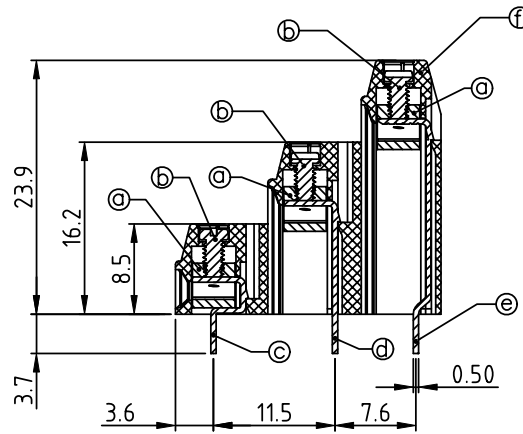
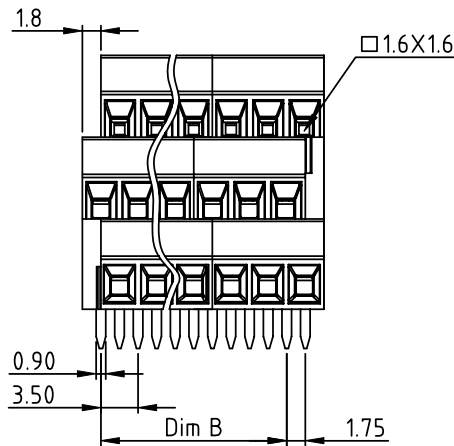
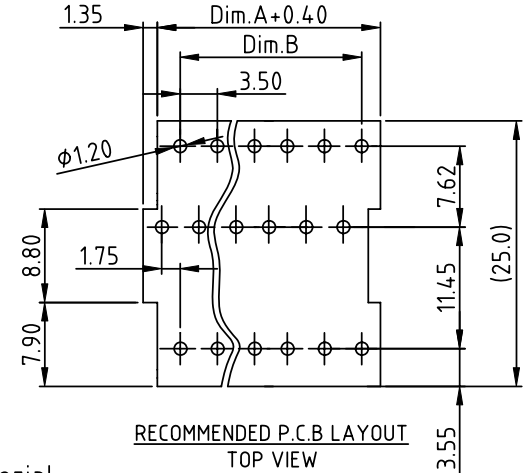
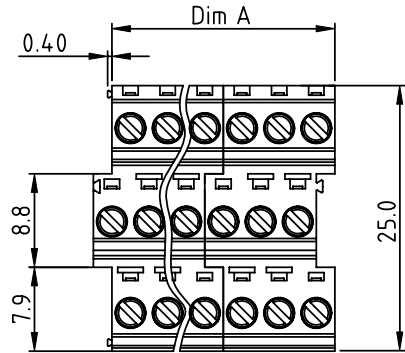


PRODUCT NUMBER	PITCH
YAx01x100J0G	3.50mm



Material

- Item a) Clamp: Brass Ni plated
- Item b) Terminal screw: Steel Zinc plating "-" slot type
- Item c) Solder pin1: Brass Tin plated (YO 3.5)
- Item d) Solder pin2: Brass Tin plated (YP 3.5)
- Item e) Solder pin3: Brass Tin plated (YA 3.5)
- Item f) Terminal housing: Thermoplastic (UL94V-0)

Electrical cULus

- Voltage rating: 150VAC
- Current rating: 10A
- Wire range:
- Solid wire(AWG): 16-24
- Stranded wire(AWG): 16-24
- Torque(Lb-In): 1.7
- Screw: M2
- Wire strip length: 5-6mm
- Withstanding Voltage: 1.3KV
- Operating temperature: -40°C to +115°C
- Soldering temperature: 260°C±5°C/5 Sec
- Safety Approval : cULus

PART NO.: YA xx 0 1 x 1 00J 0 G

DimA=N/3×3.5
DimB=(N/3-1)×3.5
N=Number of Poles

POLES	Tolerance
3×2p-3×6p	±0.15
3×7p-3×12p	±0.25
3×13p-3×18p	±0.35
3×19p-3×24p	±0.40

	Color	RoHS compliant (lead<4%) In copper Alloy
End stackable	0 Black (RAL9005)	
No. of poles	2 Red (RAL3001/D)	
06 3×2 POLES	3 Orange(RAL2011/P)	
09 3×3 POLES	4 Yellow(RAL1018/A)	
...	5 Green(RAL6018/T)	
72 3×24 POLES	6 Blue (RAL5015/A)	
	8 Grey(RAL7035/D)	
	9 White(RAL1102)	
	C Green(RAL6018/U)	

mat'l. code		surface ASME Y14.5	tolerance ASME Y14.5	projection	product family
ltr ecn no dr date		tolerances unless otherwise specified		MM	TERMINAL BLOCK
		angles	X.±0.5	scale	title
		parallel	X.X±0.3		TERMINAL BLOCK
		X°±1°	X.XX±0.1		RISING CLAMP,180D WIRE INLET,END STACKABLE
		dr	EVIN ZHONG 040714	FCI	dwg no
		enrg	EVIN ZHONG 040714		sheet 1 of 1
		chr	HANKE FENG 040714		size
		appd	SHI JUN 040714		A4
sheet index	revision sheet	A	1		type
					CUSTOMER Drawing