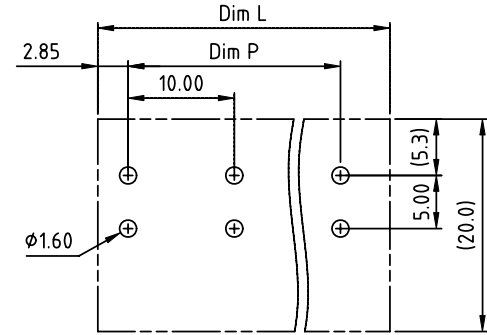
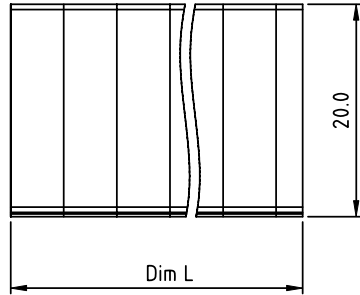
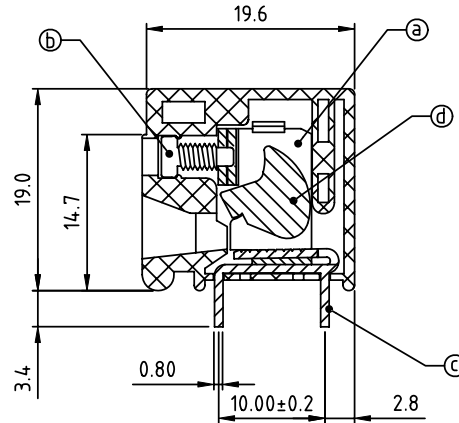
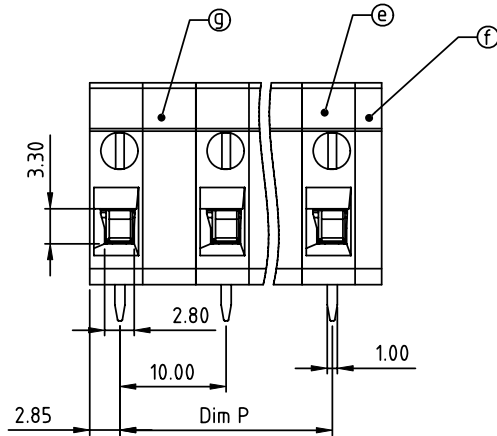


| | |
|----------------|---------|
| PRODUCT NUMBER | PITCH |
| TRxx15x1A0J0G | 10.00mm |



RECOMMENDED P.C.B LAYOUT
TOP VIEW



Material:

- Item (a) Terminal body: steel stamping clamp Zinc plating
- Item (b) Terminal screw: Steel Zinc plating "-" slot type
- Item (c) Contacts: Brass, Tin plated
- Item (d) Firm wire chunk: steel Zinc plating
- Item (e) Terminal housing: Thermoplastic (UL94V-0)
- Item (f) Terminal cover: Thermoplastic (UL94V-0)
- Item (g) padding block: Thermoplastic (UL94V-0)

Electrical cULus

- Voltage rating: 300VAC
- Current rating: 20A
- Wire range:
- Solid wire(AWG): 12-22
- Stranded wire(AWG): 12-22
- Torque(Lb-In): 2.4
- Screw: M2.5
- Wire strip length: 10-11mm
- Withstanding Voltage: 1.6KV
- Operating temperature: -40°C to +115°C
- Soldering temperature: 260°C±5°C/5 Sec
- Safety Approval: cULus

PART NO.: TR xx 1 5 x 1 A 0J0 G

N=Number of Poles
Dim L=Nx10.0-2.5
Dim P=(N-1)x10.0

| Poles | 2P-4P | 5P-8P | 9P-12P |
|-------|-------|-------|--------|
| Dim L | ±0.20 | ±0.30 | ±0.40 |
| Dim P | ±0.20 | ±0.25 | ±0.30 |

| | | | | | |
|---------------|----------|------------|-------------------|-----------------|-----------|
| End stackable | 0 | Body Color | Black (RAL9005) | RoHS compliant | (lead<4%) |
| No. of poles | 2 | | Red (RAL3001/D) | In copper Alloy | |
| 02 | 2 poles | 3 | Orange(RAL2011/P) | | |
| 03 | 3 poles | 4 | Yellow(RAL1018/A) | | |
| ... | ... | 5 | Green(RAL6018/T) | | |
| 12 | 12 poles | 6 | Blue (RAL5015/A) | | |
| | | 8 | Grey(RAL7035/D) | | |
| | | 9 | White(RAL1102) | | |
| | | C | Green(RAL6018/U) | | |

| | | | | | |
|--------------------|----------|---------------------------------------|-------------------------|------------|-------------------------------|
| mat'l. code | | surface ASME Y14.5 | tolerance ASME Y14.5 | projection | product family |
| ltr ecn no dr date | | tolerances unless otherwise specified | | MM | TERMINAL BLOCK |
| | | angles | X.±0.5 | scale | title |
| | | X*±1" | X.X±0.3 | | TERMINAL BLOCK |
| | | dr | X.XX±0.1 | | WIRE PROTECTOR,90D WIRE INLET |
| | | engr | | | dwg no |
| | | chr | | | sheet 1 of 1 |
| | | appd | | | size |
| | | | | | TRxx15x1A0J0G |
| | | | | | A4 |
| | | | | | type |
| | | | | | CUSTOMER Drawing |
| sheet index | revision | A | | | |
| | sheet | 1 | | | |