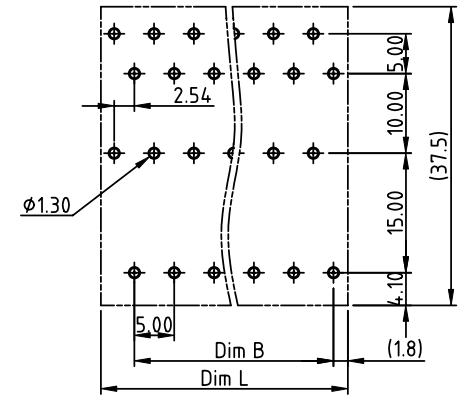
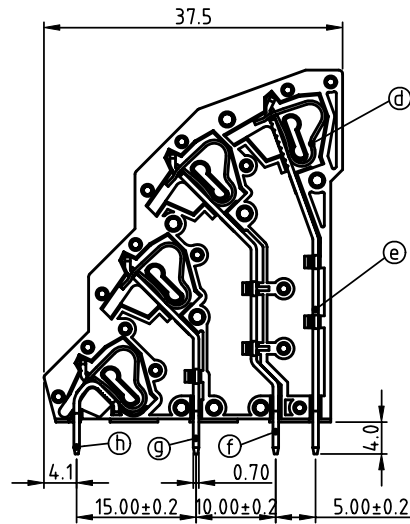
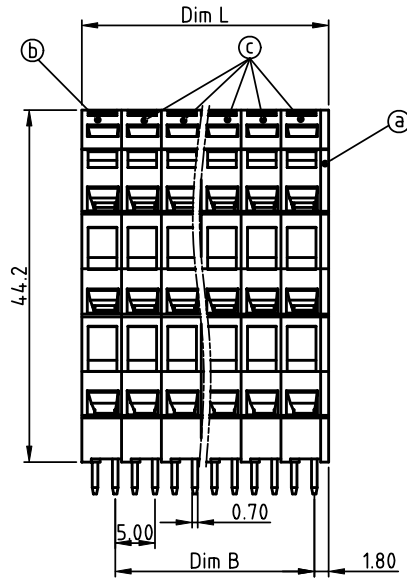


PRODUCT NUMBER	PITCH
HSxx00x100J0G	5.00mm



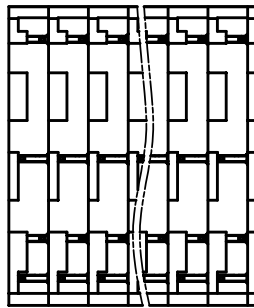
RECOMMENDED P.C.B LAYOUT
TOP VIEW

Material:

- Item a Insulator(Cover): Thermoplastic (UL94V-0)
- Item b Insulator(Side housing): Thermoplastic (UL94V-0)
- Item c Insulator(Middle housing): Thermoplastic (UL94V-0)
- Item d Spring clamp: Stainless steel
- Item e Solder Pin (The fourth layer) : Brass, Tin plated
- Item f Solder Pin (The third layer) : Brass, Tin plated
- Item g Solder Pin (The second layer) : Brass, Tin plated
- Item h Solder Pin (The first layer) : Brass, Tin plated

Electrical:

- cULus
- Voltage rating: 300V
- Current rating: 10A
- Wire range:
- Solid wire(AWG): 12-28
- Stranded wire(AWG): 12-28
- Wire strip length: 6-7mm
- Withstanding Voltage: 1.6KV
- Operating temperature: -40°C to +115°C
- Soldering temperature: 260°C±5°C/5 Sec
- Safety Approval: cULus



N=Number of poles
Dim L=N/4×5.0+1.0
Dim B=(N/4-1)×5.0

Poles	Dim L	Dim B
4×1p	±0.10	
4×2p-4×6p	±0.15	±0.15
4×7p-4×12p	±0.25	±0.25
4×13p-4×18p	±0.35	±0.30
4×19p-4×24p	±0.45	±0.40

PART NO.: HS xx 00 x 100J0 G

No. of poles	Color	RoHS compliant
0	Black (RAL9005)	(lead<4%)
04	Red (RAL3001/D)	In copper Alloy
08	Orange(RAL2011/P)	
...	4 Yellow(RAL1018/A)	
...	5 Green(RAL6018/T)	
96	4x24 poles 6 Blue (RAL5015/A)	
	8 Grey(RAL7004/P)	
	9 White(RAL1102)	
	C Multiple colors	

mat'l. code		surface ASME Y14.5	tolerance ASME Y14.5	projection	product family TERMINAL BLOCK
ltr	ecn no	dr	date	 MM	title TERMINAL BLOCK SPRING CLAMP,45D WIRE INLET,4-LEVEL, INTERLACE TYPE
angles		tolerances unless otherwise specified			
X°±1'		X.X±0.3			dwg no
X.XX±0.1		X.XX±0.1			sheet 1 of 1
dr	EVIN ZHONG	053014			size
enr	EVIN ZHONG	053014			A4
chr	HANKE FENG	053014			
appd	SHI JUN	053014			
sheet index	revision sheet	A	1		type CUSTOMER Drawing