

THIS DRAWING IS UNPUBLISHED.

RELEASED FOR PUBLICATION

METRIC

LOC

DIST

REVISIONS

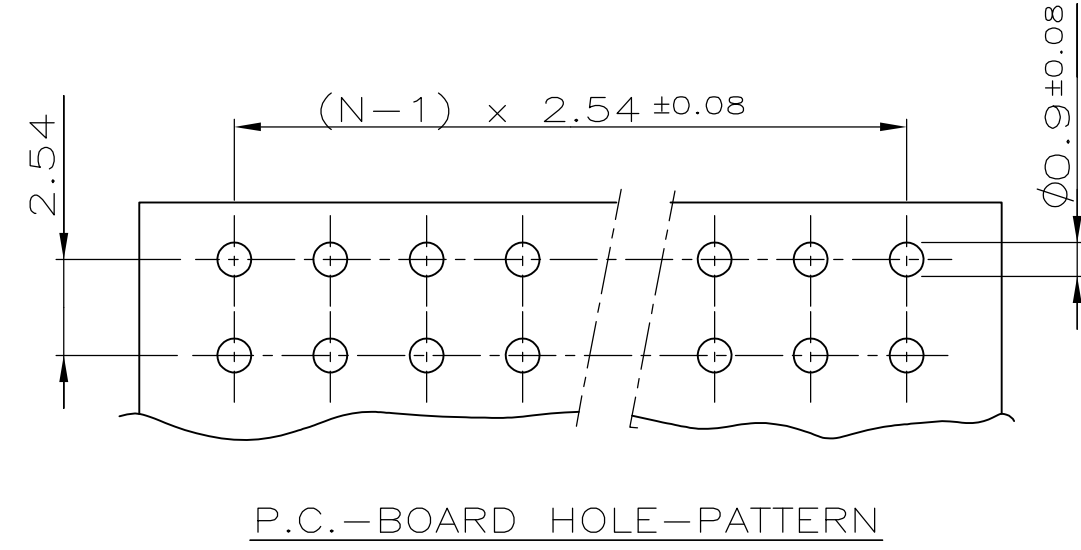
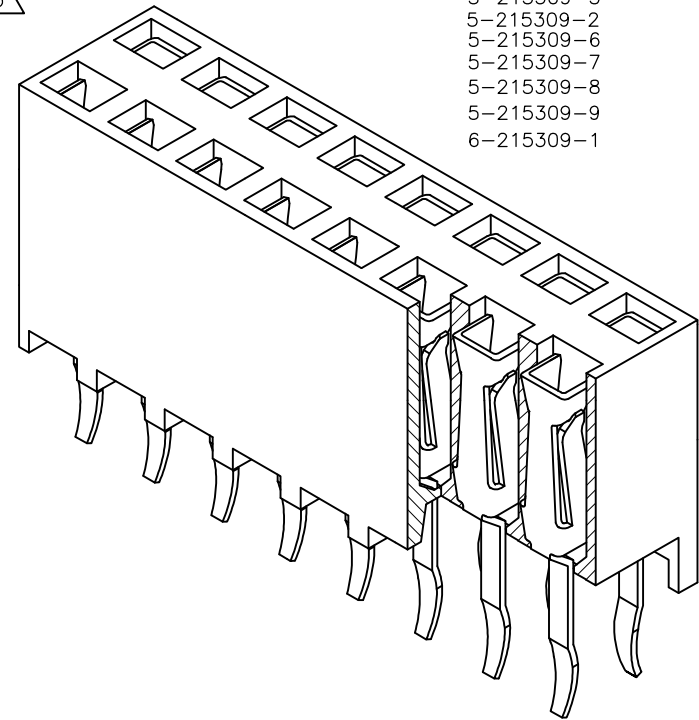
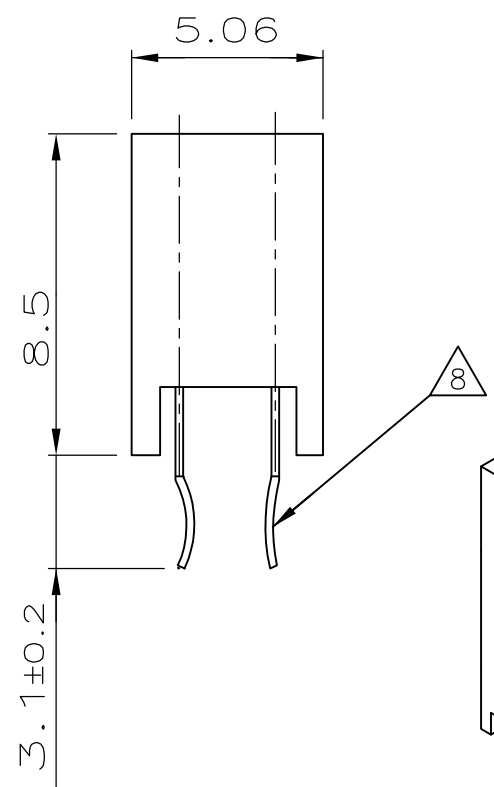
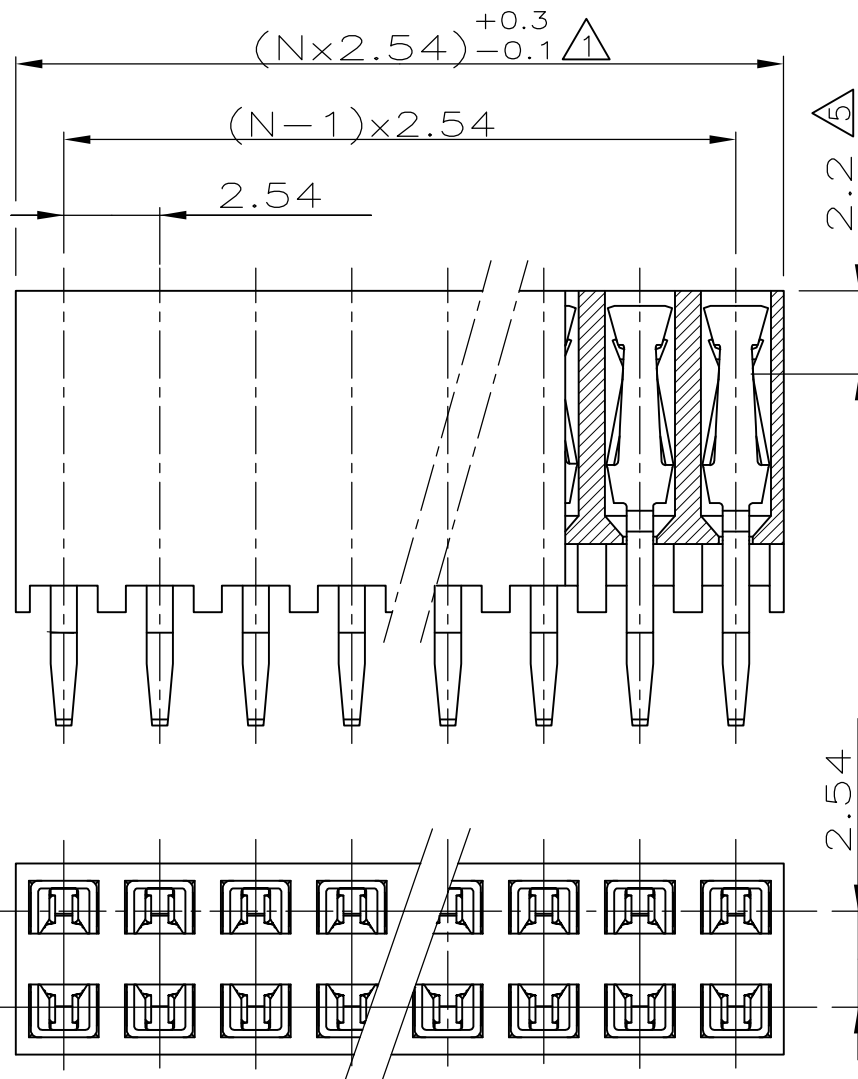
© COPYRIGHT - By -

ALL RIGHTS RESERVED.

P	LTR	DESCRIPTION	DATE	DWN	APVD
	C4	REVISED PER ECR-11-025934	28DEC11	RK	HMR

- NOTES:
- TO DETERMINE DIMENSIONS TAKE $2 \times N = \text{NR. OF POS.}$.
 FOR EXAMPLE: $2 \times 10 \text{ POS.} = N \times 2,54 = 25,4 \text{ mm.}$
 FOR ORDERNR. USE BASIC NR. + NR. OF POS.
 FOR EXAMPLE: $2 \times 2 \text{ POS.} = 215\ 309-2$ (SHORTEST VERSION)
 $2 \times 36 \text{ POS.} = 3-215\ 309-6$ (LONGEST VERSION)
 - HOUSING MATERIAL: GREEN GLASSFILLED POLYESTER, UL 94V-0
 CONTACT MATERIAL: PHOSPHORBRONZE.
 - PLATING: UNDERCOATING: $1,3\ \mu\text{m Ni.}$
 AT CONT.PLACE: $0,8\ \mu\text{m Au.}$
 AT SOLDER-TYNES: MIN. $2,5\ \mu\text{m Sn.}$
 - MATES WITH 0,63 SQUARE/ROUND MODU POSTS.
 - CONTACT-POINT.
 - RECOMMENDED P.C.BOARD-THICKNESS: 1,6.
 - RETENTION FEATURE.
 - HV100 CONNECTOR PACKED IN ANTISTATIC BLISTER
 - OBSOLETE PARTS: OBSOLETE CIS STREAMLINING PER D.RENAUD/D.SINISI

- 3-215309-3
- 5-215309-2
- 5-215309-6
- 5-215309-7
- 5-215309-8
- 5-215309-9
- 6-215309-1



VERWENDET FÜR E 92-9803	SEE NOTES FINISH	SEE NOTES MATERIAL	SEE NOTES PARTNUMBER
----------------------------	---------------------	-----------------------	-------------------------

THIS DRAWING IS A CONTROLLED DOCUMENT.		DWN L.V.D.HEYDEN 09.07.86	STE TE Connectivity	
DIMENSIONS: mm		CHK W.SIMONS		
TOLERANCES UNLESS OTHERWISE SPECIFIED:		APVD L.v.SOEST	NAME HV 100 VERTICAL CONNECTOR DUAL ROW, 8,5mm HEIGHT, TOP ENTRY, GOLD, MAX. 2X36 POSITIONS	
0 PLC ± -		PRODUCT SPEC	SIZE	
1 PLC ± 0.1		APPLICATION SPEC	CAGE CODE	DRAWING NO
2 PLC ± -		WEIGHT	RESTRICTED TO	
3 PLC ± -			A3	00779
4 PLC ± -			C-215309	
ANGLES ± -			SCALE 5:1	
FINISH			SHEET 1 OF 1	
MATERIAL			REV C4	
		CUSTOMER DRAWING		