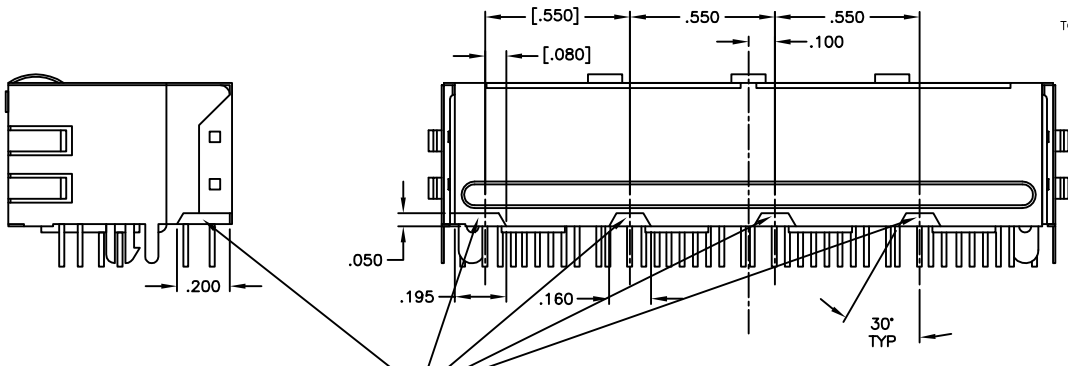
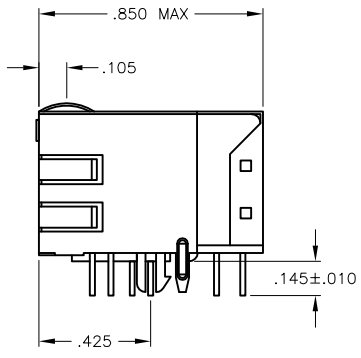
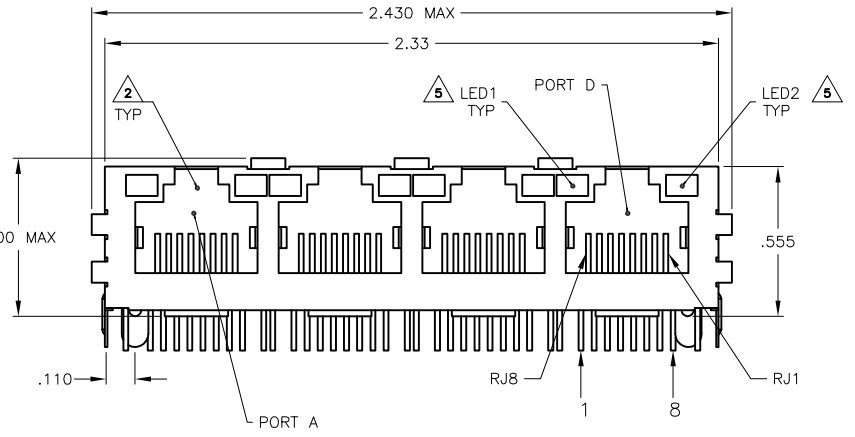
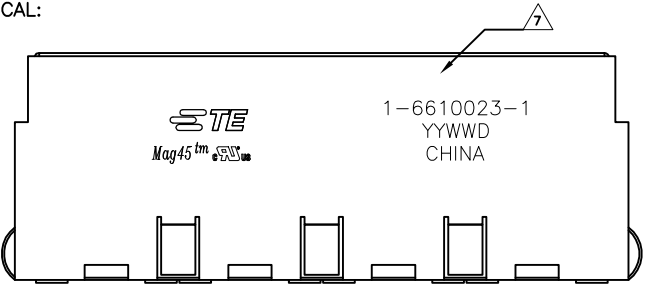
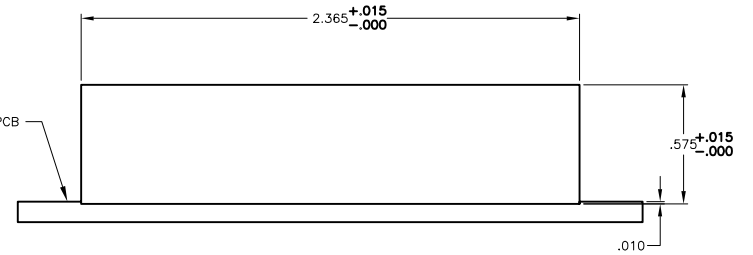


MECHANICAL:



NOTCHES IN THE REAR SIDE OF SHIELD ONLY PRESENT AT 6610023-1 & 1-6610023-1

- 1 MATERIALS:
 - HOUSING - THERMOPLASTIC PET POLYESTER FLAMMABILITY RATING UL 94V-0.
 - SHIELD - 0.010" THICK, C26800 BRASS PREPLATED WITH 30μINCH MIN SEMI-BRIGHT NICKEL.
 - SOLDER TABS POST DIPPED WITH 100μINCH MIN SAC SOLDER.
 - MOD JACK CONTACTS - 0.0157" X 0.018" PHOSPHOR BRONZE, 50μINCH MIN OVERALL NICKEL UNDERPLATE WITH SELECT 50μINCH MIN HARD GOLD FINISH PLATE. SOLDER TAILS WITH 100μINCH MIN MATTE TIN AND/OR SAC SOLDER DIP.
 - LIGHT EMITTING DIODE(LED) - DIFFUSED EPOXY LENS, 0.020" X 0.020" CARBON STEEL WIREFRAME LEADS PRE-PLATED WITH 80μINCH SILVER OVER 40μINCH NICKEL UNDERPLATE OVER 40μINCH COPPER UNDERPLATE. POST-PLATED WITH 100μINCH MIN MATTE TIN AND/OR SAC SOLDER DIP OR PURE TIN SOLDER DIP.
- 2 RJ45 JACK CAVITY CONFORMS TO FCC RULES AND REGULATIONS PART 68, SUB PART F.
- 3 MAGNETICS
 - IMPEDANCE: 100 OHMS
 - TURNS RATIO (CHIP-CABLE): TX = 1:1, RX = 1:1
 - OPEN CIRCUIT INDUCTANCE (OCL): 350μH MIN @100KHz, 0.1VRMS, 8mADC BIAS FROM -40°C TO +85°C, TX AND RX
 - PERFORMANCE @ 25°C:
 - INSERTION LOSS (IL): 1.1dB MAX FROM 0.5MHz TO 100MHz
 - RETURN LOSS (RL): 18dB MIN FROM 0.5MHz TO 30MHz
 - 18-20LOG(f/30)dB MIN FROM 30.1MHz TO 60MHz
 - 12dB MIN FROM 60.1MHz TO 80MHz
 - CROSSTALK ATTENUATION: 35dB MIN FROM 0.5MHz TO 40MHz
 - 33-20*LOG(f/50)dB MIN FROM 40.1MHz TO 100MHz
 - COMMON MODE REJECTION RATIO (CMRR): 30dB MIN FROM 0.5MHz TO 100MHz
 - ISOLATION VOLTAGE: 2250VDC (MAX) FOR 60 SECONDS WITH A RISE TIME OF 500V/SEC AND WITH ALL PORTS CONNECTED.
- 4. OPERATING TEMPERATURE: FROM -40°C TO +85°C.
- 5 THE LED WITH 250 OHM RESISTORS, LED IS DRIVEN WITH 5V VOLTAGE AND THE MAX OPERATING CURRENT IS 20mA.
 - LED COLOR-DOMINANT WAVELENGTH(ID): GREEN 568nm TYP. AT VF=5V
 - FORWARD CURRENT (IF): GREEN 12 mA TYP. AT VF=5V
 - DOMINANT WAVELENGTH (ID): YELLOW 588nm TYP. AT VF=5V
 - FORWARD CURRENT (IF): YELLOW 13 mA TYP. AT VF=5V
- 6 INDICATED CONNECTIONS ARE FOR NIC CONFIGURATION. THE MAGNETICS ARE SYMMETRICAL AND SUPPORT AUTO-MDI/MDIX.
- 7 TE CONNECTIVITY LOGO, PART NUMBER, DATE CODE, COUNTRY OF ORIGIN AND AGENCY APPROVAL MARKING IN APPROXIMATE LOCATION SHOWN.
- 8. THESE PARTS ARE RECOMMENDED FOR WAVE SOLDERING PROCESS, PEAK WAVE SOLDERING TEMPERATURE IS 265°C MAX, 10 SECONDS MAX.



1X4 SUGGESTED PANEL CUTOUT

NO	YES	GREEN	YELLOW	5-6610023-1
NO	YES	GREEN	GREEN	6-6610023-1
YES	NO	GREEN	GREEN	1-6610023-1
YES	NO	GREEN	YELLOW	6610023-1

5 NOTCHES IN SHIELD	2KV DECOUPLING CAPACITOR	LED1	LED2	PART NUMBER
---------------------	--------------------------	------	------	-------------

THIS DRAWING IS A CONTROLLED DOCUMENT.

REV	DATE	DESCRIPTION	BY	CHK	APP
1	VARDA	DESIGN			
2	VARDA	DESIGN			
3	VARDA	DESIGN			

DATE CODE: 108-2100

SIZE: A1

SCALE: 4:1

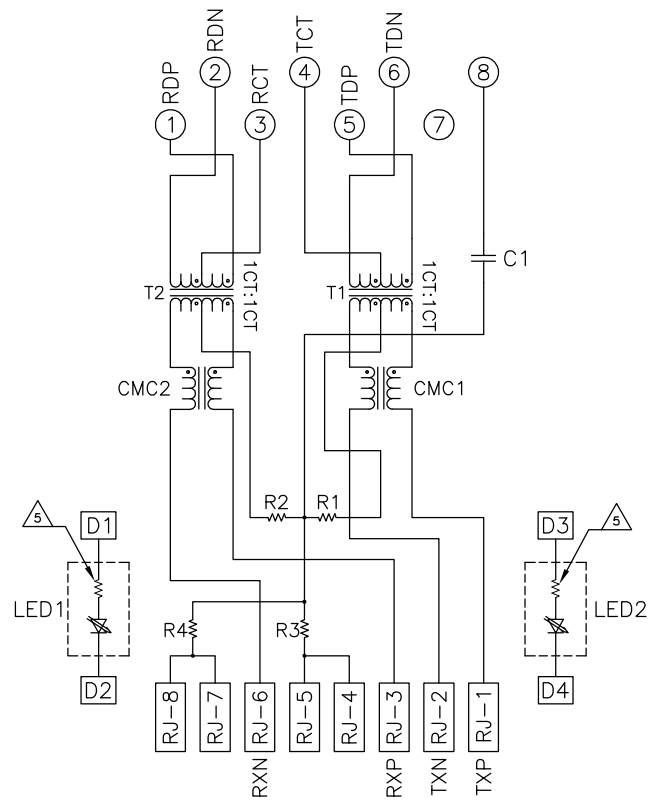
SHEET: 1 of 2

TE Connectivity

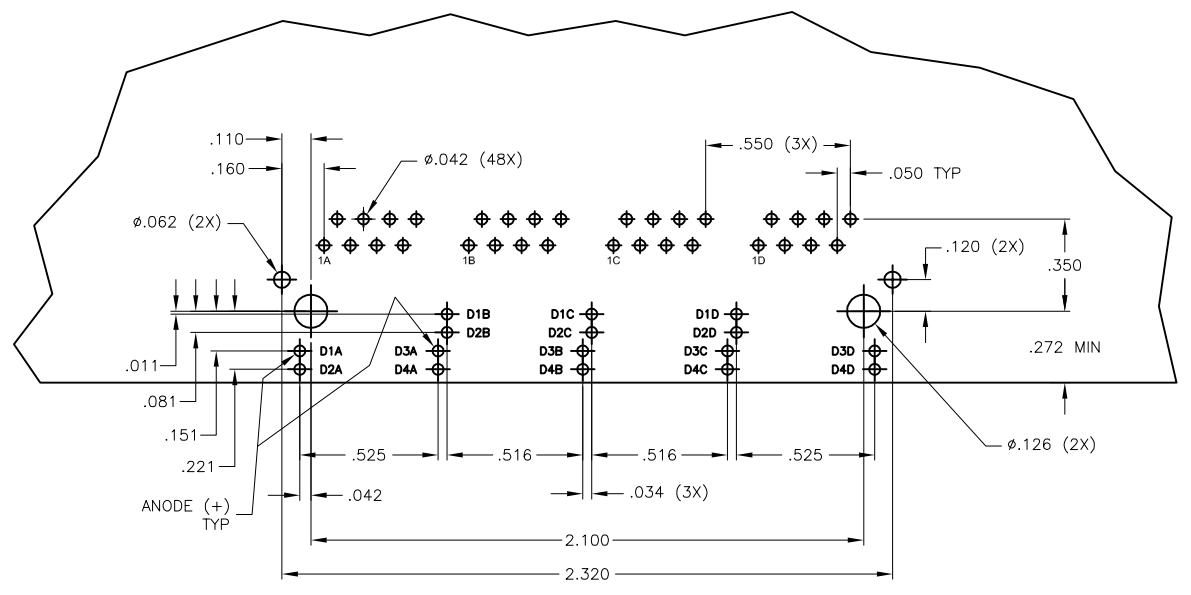
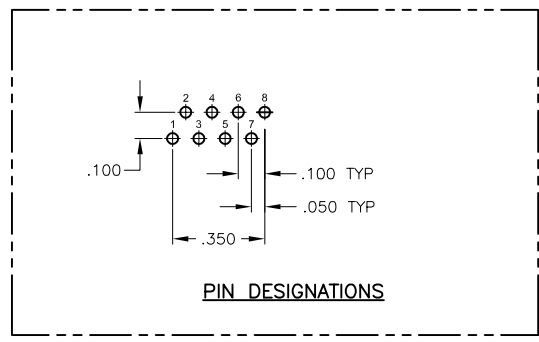
1X4 MAG45™ MODULAR JACK, 7N2ET INDUSTRIAL TEMP SCHEMATIC, 26 SERIES CIRCUIT, SHIELDED, WITH RESISTOR LEADS

00779-6610023

726ET SERIES MAGNETIC CIRCUIT



R1-R4 = 75 OHMS, 1/16W RESISTORS
 C1 = 1000 pF, 2KV CAPACITOR



SUGGESTED PCB LAYOUT
 (Component Side)

THIS DRAWING IS A CONTROLLED DOCUMENT.		REV	DATE	DESCRIPTION	BY	CHK	APP
DRAWN BY: [Symbol]		1	AA	1X4 MAC45(TM) MODULAR JACK, 726ET INDUSTRIAL TEMP SCHEMATIC, 26 SERIES CIRCUIT, SHIELDED, WITH RESISTOR LEADS			
CHECKED BY: [Symbol]		2					
APPROVED BY: [Symbol]		3					
MATERIAL: [Symbol]		4					
FINISH: [Symbol]		5					
CUSTOMER DRAWING		SIZE	CAGE CODE	QUANTITY	SCALE	SHEET	OF
		A1	00779	6610023	4:1	2	2