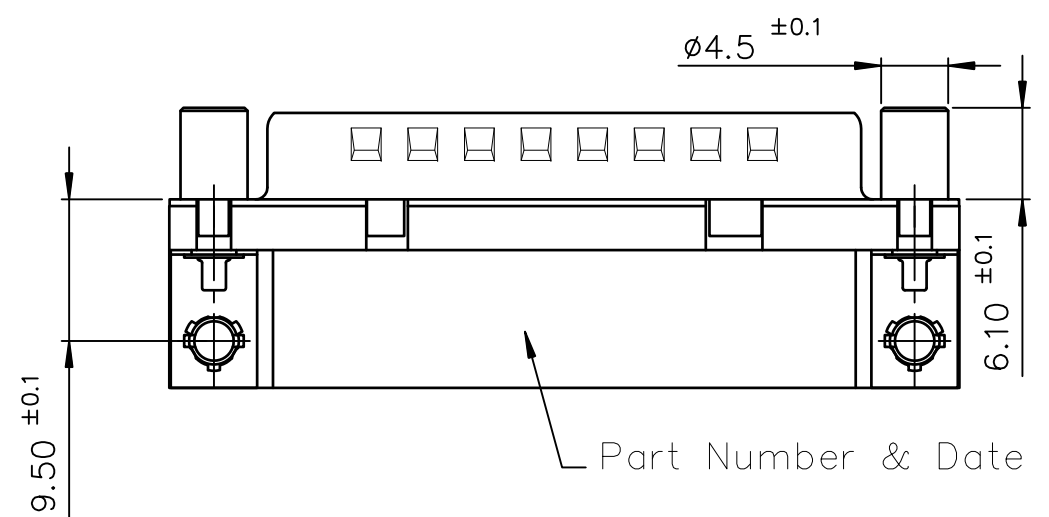
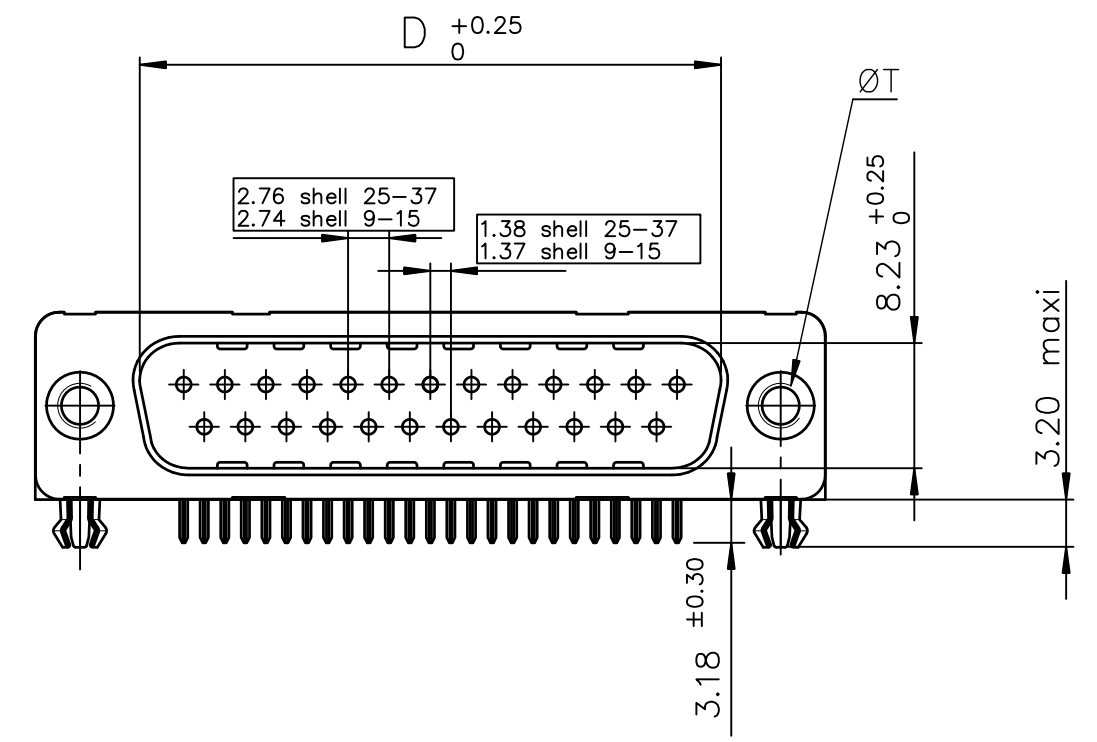
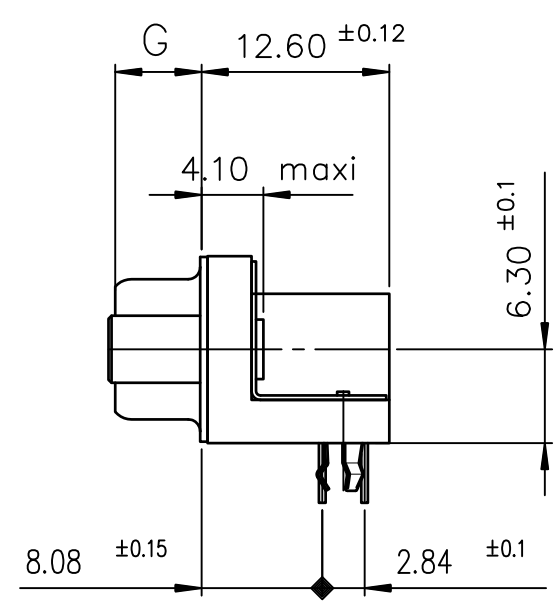
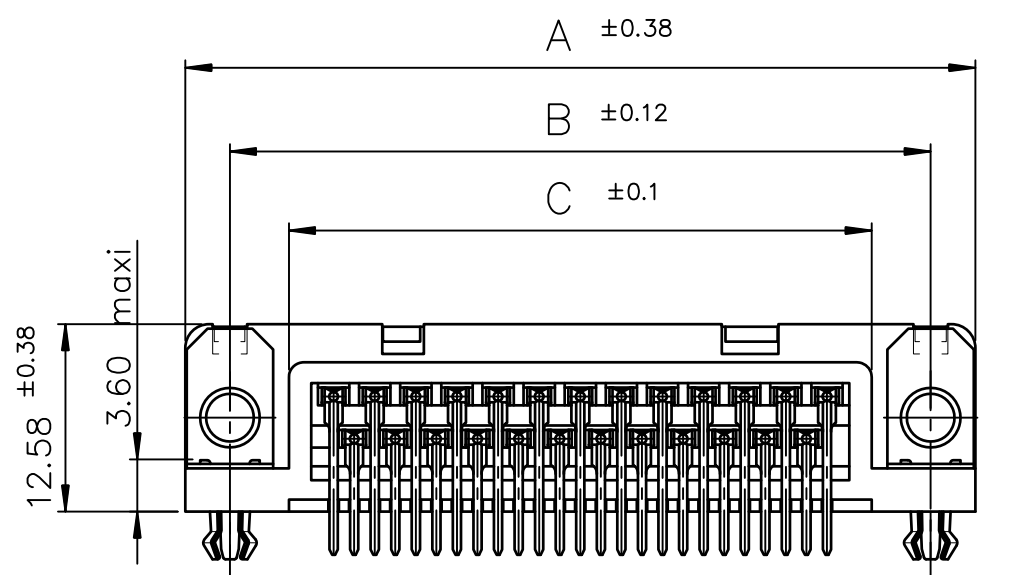


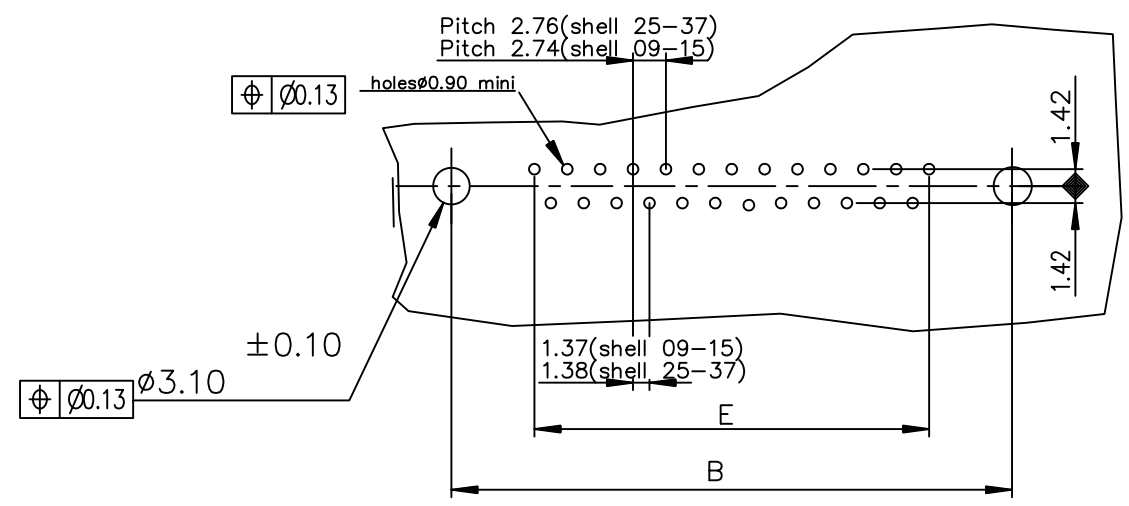


FCIconnect.com

Copyright FCI



PC card drilling dimensions(after plating)
(thickness 1.60±0.20mm)



TIN LEAD PART NUMBER											
SHELL	A±0.38	B±0.12	C±0.10	D±0.25	E±0.07	G±0.25	200 Mating cycles		500 Mating cycles		
09	30.81	24.99	16.96	16.79	10.96	5.90	D09P33E4GV00	D09P33E4GI00	D09P33E6GV00	D09P33E6GI00	
15	39.14	33.32	25.18	25.12	19.18	5.90	D15P33E4GV00	D15P33E4GI00	D15P33E6GV00	D15P33E6GI00	
25	53.03	47.04	39.12	38.84	33.12	5.70	D25P33E4GV00	D25P33E4GI00	D25P33E6GV00	D25P33E6GI00	
37	69.32	63.50	55.68	55.30	49.68	5.70	D37P33E4GV00	D37P33E4GI00	D37P33E6GV00	D37P33E6GI00	

Threaded ØT M3 = I
Threaded ØT 4.40 = V

Threaded ØT M3 = I
Threaded ØT 4.40 = V

LEAD FREE PART NUMBER											
SHELL	A±0.38	B±0.12	C±0.10	D±0.25	E±0.07	G±0.25	200 Mating cycles		500 Mating cycles		
09	30.81	24.99	16.96	16.79	10.96	5.90	D09P33E4GV00LF	D09P33E4GI00LF	D09P33E6GV00LF	D09P33E6GI00LF	
15	39.14	33.32	25.18	25.12	19.18	5.90	D15P33E4GV00LF	D15P33E4GI00LF	D15P33E6GV00LF	D15P33E6GI00LF	
25	53.03	47.04	39.12	38.84	33.12	5.70	D25P33E4GV00LF	D25P33E4GI00LF	D25P33E6GV00LF	D25P33E6GI00LF	
37	69.32	63.50	55.68	55.30	49.68	5.70	D37P33E4GV00LF	D37P33E4GI00LF	D37P33E6GV00LF	D37P33E6GI00LF	

Threaded ØT M3 = I
Threaded ØT 4.40 = V

Threaded ØT M3 = I
Threaded ØT 4.40 = V

GENERAL CHARACTERISTICS : SEE DRAWING C01-8646-0000

mat'l. code				surface ISO 1302 ✓		tolerance ISO 406 ISO 1101		projection		product family	
-								MM		D-SUB	
ltr	ecn no	dr	date	tolerances unless otherwise specified				title		sheet 1 of 1	
D	ELX-I-19243	AB	2014-10-29	angles linear				MALE CONNECT. DELTA-D R/A		size	
				0°±2'				scale 2:1		A3	
				dr JOHN SLEEBA 1993-04-07		FCI		dwg no		sheet 1 of 1	
				enr ALIAS BABU 2014-10-29				C01-8646-0825		size	
				chr MITHUN PAUL 2014-10-29				type		Product Customer Drawing	
				app BIJU K PAUL 2014-10-29							
sheet index	revision sheet	D	1								