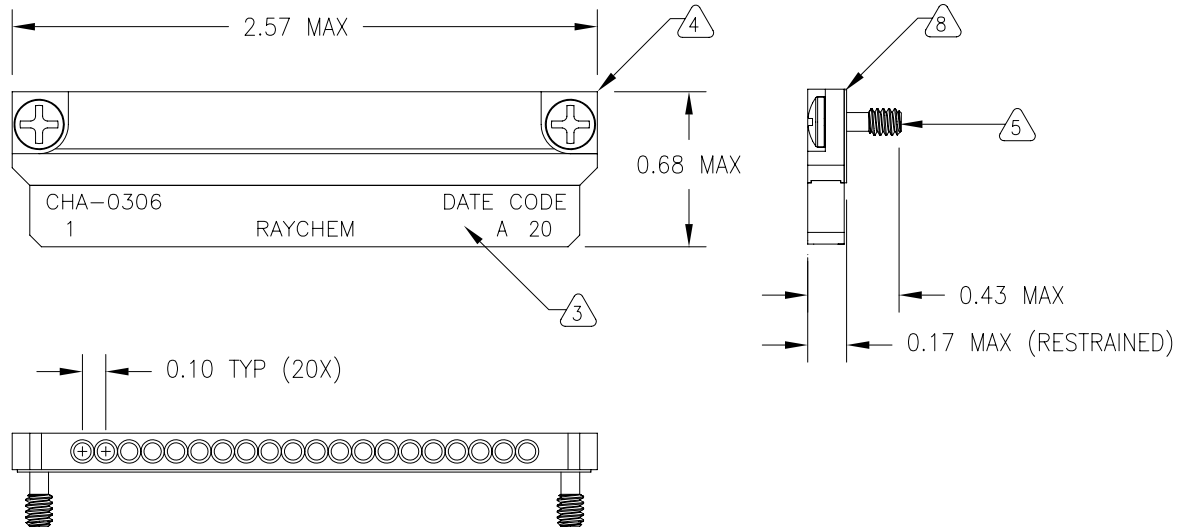


REVISION		
REV	DESCRIPTION	DATE
C	REVISED PER DCR C041088	11OCT2004



Notes:

- Application: Electroless Nickel MTC SH2 Receptacle Shells
- For Use With MIL-C 39029/58-360, Size 22 Contacts
- End Cap: Glass Filled Nylon, Flame Retardant, Black
- Main Body: Aluminum, Electroless Nickel Plated
- Screws: 4-40 Phillips Head, A-286 CRES, Passivated, Captive, Self-Locking
- Electrical Contacts: Brass / Beryllium Copper, Gold Plated
- Markings: High Contrast Ink
- Bus Bar, Beryllium Copper, Electroless Nickel Plated
- Meets Raychem Specification C-6114 Requirements
- Contact Cavity Bore Dia, Plated: .0685/0690 (REF)

© 2004 TYCO ELECTRONICS CORPORATION. ALL RIGHTS RESERVED.

If this document is printed it becomes uncontrolled.  
Check for the latest revision.

SPECIFICATION CONTROL DRAWING			
UNLESS OTHERWISE SPECIFIED DIMENSIONS ARE INCHES. METRIC DIMENSIONS ARE IN BRACKETS.	DRAWN T RATZLAFF	DATE 26MAR2004	
DECIMAL TOLERANCES .XXX ± 0.005 [ 0.13 mm] .XX ± 0.010 [ 0.25 mm] .X ± 0.020 [ 0.50 mm]	MATERIAL SEE NOTES	TYCO ELECTRONICS 300 CONSTITUTION DRIVE MENLO PARK, CA 94025	Raychem
ANGLE TOLERANCE .X ± 0.5 DEG.	FINISH SEE NOTES	TITLE 2-INCH MTC GROUNDING BLOCK WITHOUT FINGERS	
WEIGHT (NOM) LBS. 0.0198 [ 9.0 gm]	THIRD ANGLE PROJECTION	SIZE A	CODING/REV/DWG. NO. 06090 DWG. NO. <b>CHA-0306</b>
CAD FILE C041088.DWG	DO NOT SCALE THIS DRAWING		SHEET 1 OF 1