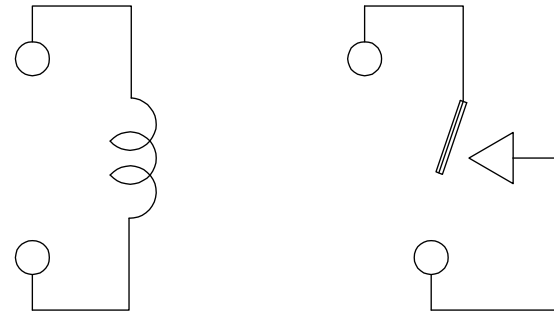
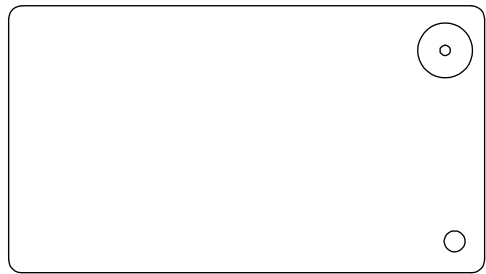


THIS DRAWING IS UNPUBLISHED. RELEASED FOR PUBLICATION
 © COPYRIGHT - By - TE CONNECTIVITY ALL RIGHTS RESERVED.

LOC	DIST	REVISIONS					
		P	LTR	DESCRIPTION	DATE	DWN	APVD
HB	-		D2	CHANGE LOGO&ADD LINE IDENTIFICATION ECO-12-001771	22Aug2012	YS.H	BH.Y



CONNECTION FIGURE

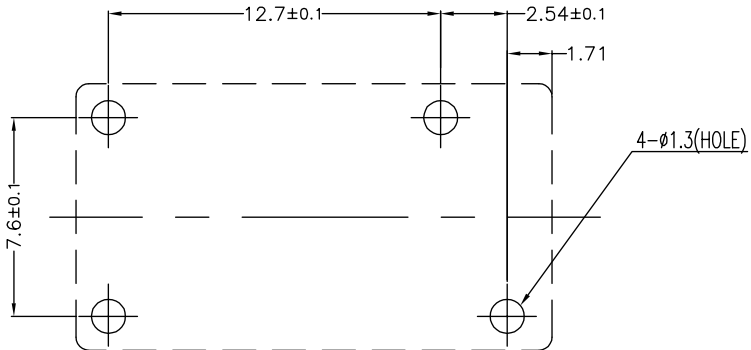
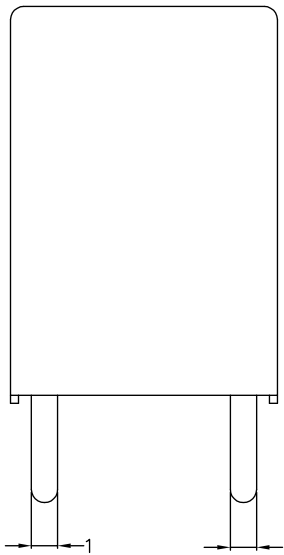
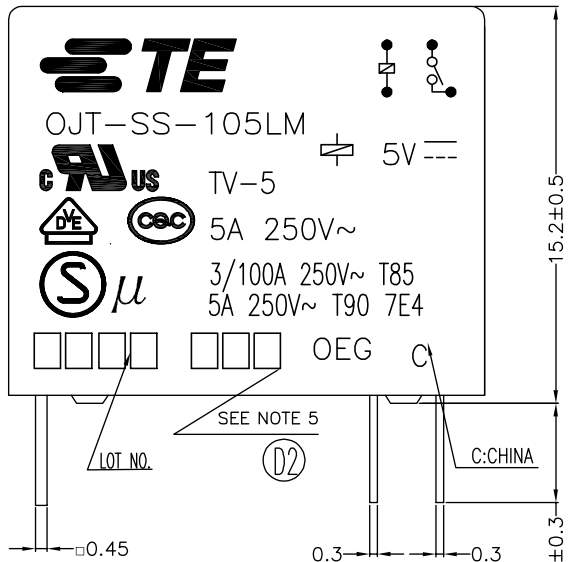
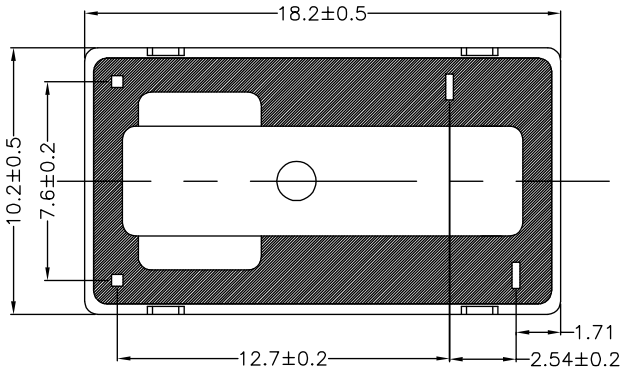


FIGURE FOR PRINTED CIRCUIT BOARD PROCESSING (BOTTOM VIEW)

Diagram dimension	Tolerance
0.99mm max.	±0.1mm
1 - 2.99mm	±0.2mm
3mm min.	±0.3mm



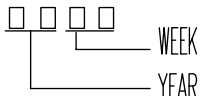
THIS DRAWING IS A CONTROLLED DOCUMENT.		DWN Fu.Bo	TE Connectivity			
DIMENSIONS: mm		CHK Zhang,XN	NAME			
TOLERANCES UNLESS OTHERWISE SPECIFIED:		APVD Yang.Wen	OJT-SS-1**LM.000 CUSTOMER DRAWING			
0 PLC ±- 1 PLC ±- 2 PLC ±- 3 PLC ±- 4 PLC ±- ANGLES ±-	FINISH	PRODUCT SPEC	SIZE A3	CAGE CODE 00779	DRAWING NO 1461492	RESTRICTED TO
		MATERIAL	WEIGHT	SCALE 5:1		SHEET 1 of 2
		CUSTOMER DRAWING				

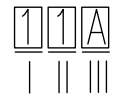
THIS DRAWING IS UNPUBLISHED. RELEASED FOR PUBLICATION
 © COPYRIGHT - By - TE CONNECTIVITY ALL RIGHTS RESERVED.

LOC	DIST	REVISIONS					
HB	-	P	LTR	DESCRIPTION	DATE	DWN	APVD
		-		SEE SHEET 1	-	-	-

107-79010	1461492-7	QJT-SS-124LM,000	24V	QJT-SS-124LM	g
107-79010	1461492-6	QJT-SS-118LM,000	18V	QJT-SS-118LM	f
107-79010	1461492-5	QJT-SS-112LM,000	12V	QJT-SS-112LM	e
107-79010	1461492-4	QJT-SS-109LM,000	9V	QJT-SS-109LM	d
107-79010	1461492-3	QJT-SS-106LM,000	6V	QJT-SS-106LM	c
107-79010	1461492-2	QJT-SS-105LM,000	5V	QJT-SS-105LM	b
107-79010	1461492-1	QJT-SS-103LM,000	3V	QJT-SS-103LM	a
PARKING SPEC	PART NO	EC TYPE NAME	PART B	PART A	TYPE

RELAY TYPE

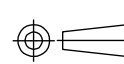
NOTES:
 (B) 1. LOT NO. SYSTEM AS FOLLOWING:


(D2) 5. ADD LOT NO. SYSTEM AS FOLLOWING;

 I, DIGITS FOR DAY OF THE WEEK
 1...MONDAY IN THIS WEEK;
 2...TUESDAY IN THIS WEEK;

 7...SUNDAY IN THIS WEEK
 II, DIGITS FOR SHIFT OF THE DAY
 1...DAY SHIFT IN THIS DAY;
 2...NIGHT SHIFT IN THIS DAY;
 III, ONE CHARACTER DISTINGUISH THE LINE
 IDENTITY, SUCH AS: A,B.....Z

(D2) 2. TERMINAL DIMENSION IS BEFORE SOLDER DIP;
 (D2) 3. FOR THE TIN-PLATING OF THE PINS:
 +0.1mm FOR WIDTH, THICKNESS AND DIAMETER.
 +0.5mm FOR LENGTH.
 (D2) 4. MARKING FROM INK TO LASER.

		EPOXY RESIN	SEAL (BASE & BOBBIN)	15
		JUEW	MAGNETIC WIRE	14
94V-0		P.B.T	CASE	13
94V-0		P.B.T	BASE	12
94V-0		P.B.T	BOBBIN	11
	SOLDER DIP	C.P WIRE	COIL TERMINAL	10
94V-0		P.B.T	CARD	9
		Ag ALLOY	MOVABLE CONTACT	8
		Ag ALLOY	NO.CONTACT	7
		STEEL	HINGE SPRING	6
	SOLDER DIP	PBP	NO.TERMINAL	5
	SOLDER DIP	Cu ALLOY	MOVABLE SPRING	4
	Cu-Ni PLATED	STEEL	CORE	3
	Cu-Ni PLATED	STEEL	ARMATURE	2
	Cu-Ni PLATED	STEEL	YOKE	1
INCOMBUSTIBILITY	TREATMENT	MATERIAL	DESCRIPTION	ITEM

THIS DRAWING IS A CONTROLLED DOCUMENT.		DWN	Fu.Bo	-
		CHK	Zhang,XN	-
DIMENSIONS: mm		APVD	Yang.Wen	-
		PRODUCT SPEC		-
		APPLICATION SPEC		-
MATERIAL	FINISH	WEIGHT		-
		SIZE	A3	
		CAGE CODE	00779	
		DRAWING NO	C= 1461492	
		RESTRICTED TO		-
CUSTOMER DRAWING		SCALE	5:1	
		SHEET	2 of 2	
		REV	D2	



QJT-SS-1**LM.000 CUSTOMER DRAWING