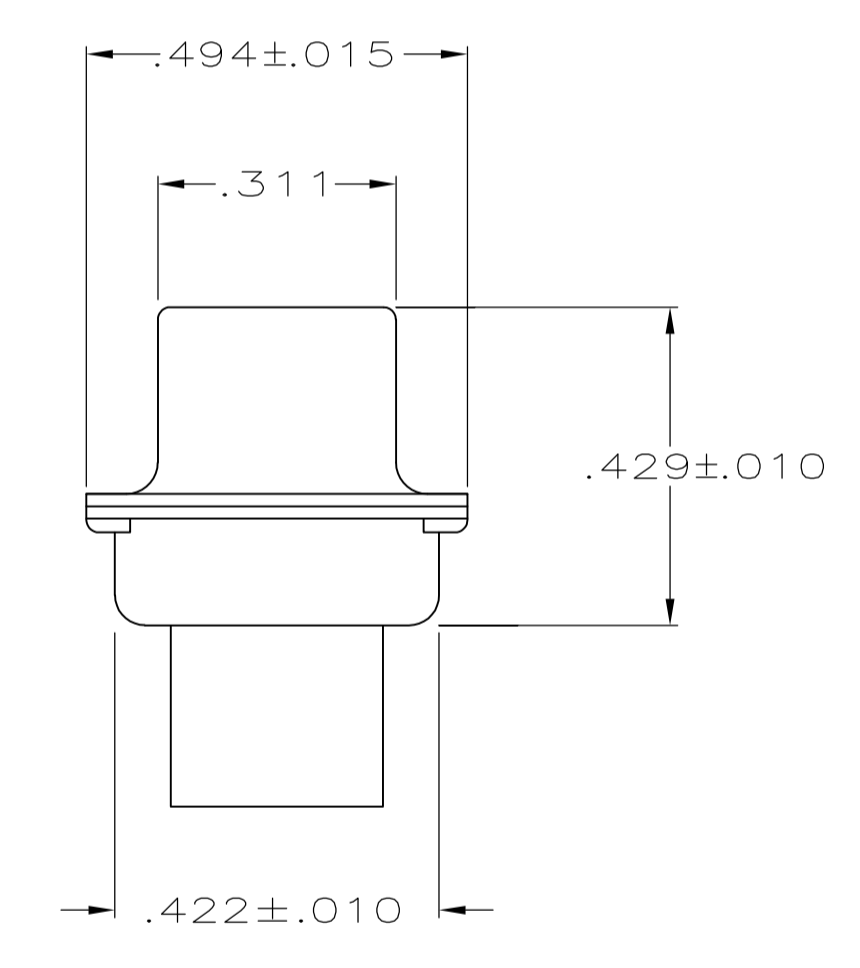
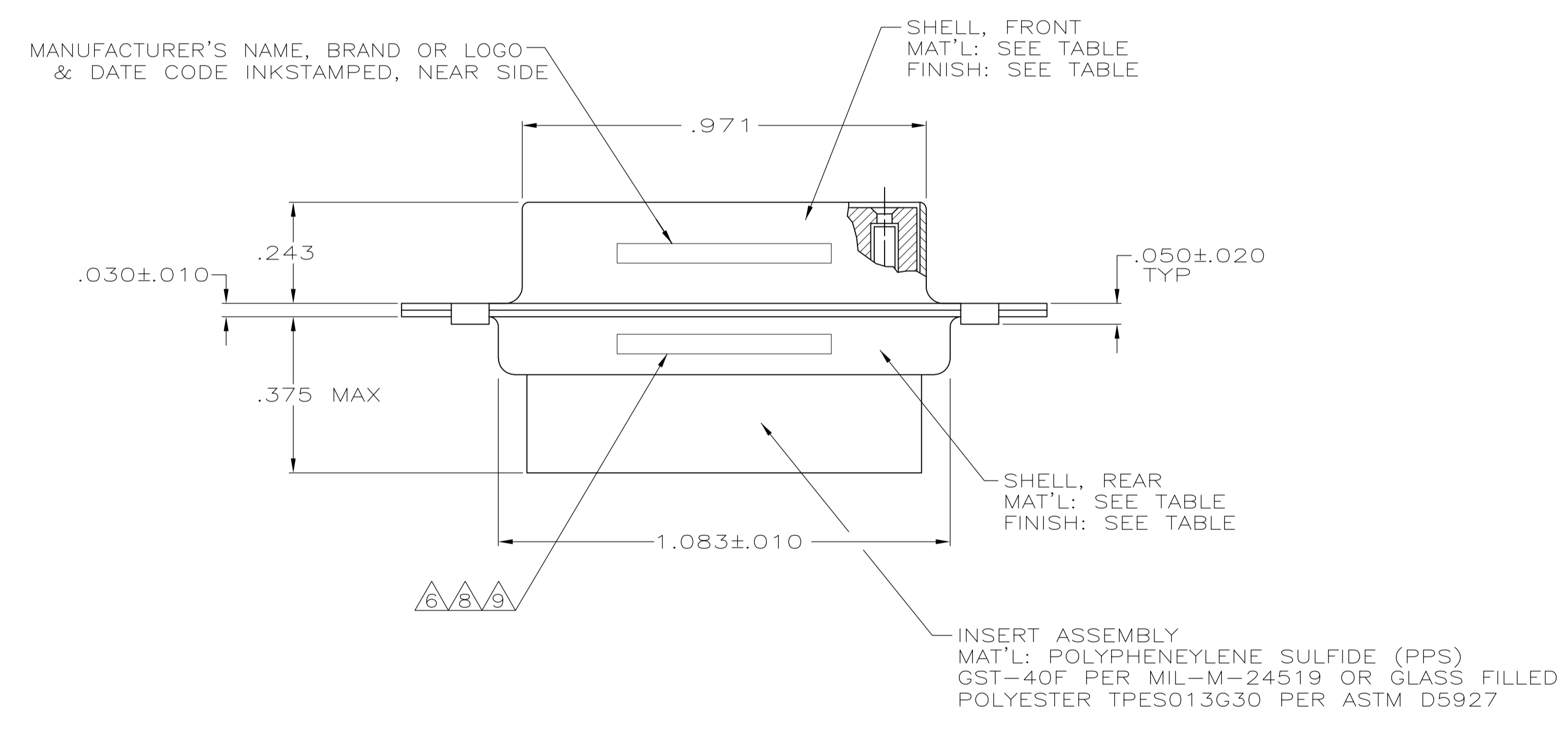
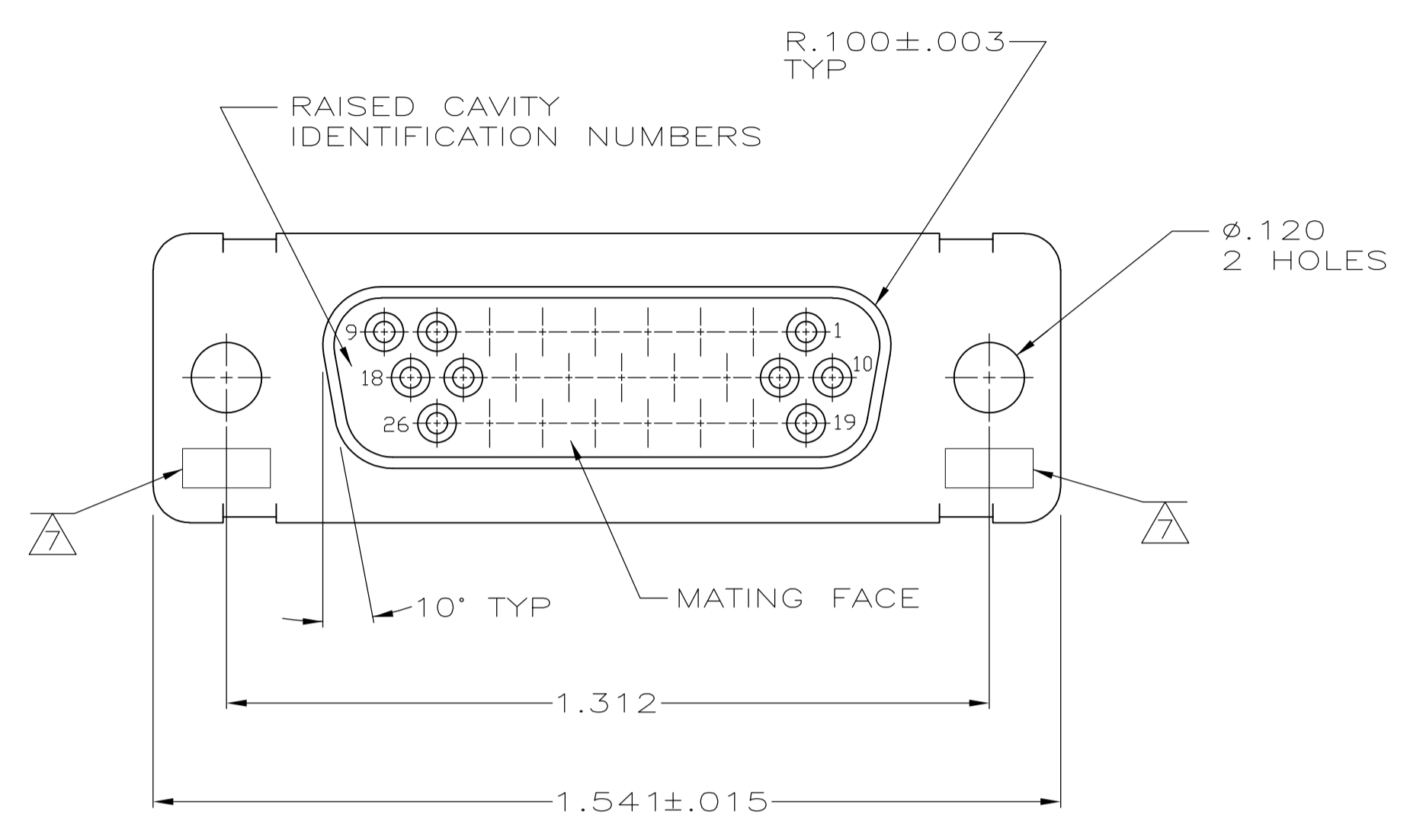


LOC	DIST	REVISIONS			
DF	DO	REV	DESCRIPTION	DATE	BY
S		1	REV PER ECO-08-030008	21JAN2009	PK RL

1. THIS RCPT. IS DESIGNED TO CONFORM TO THE LATEST ISSUE OF MIL-C-24308.
2. MAX WIRE INSUL TO BE USED WITH THIS RCPT. IS $\phi.054$.
3. METAL RETENTION CLIPS ARE INCLUDED IN INSERTS.
4. PACKAGE STAMPED M 24308/2-287F.
5. THIS RCPT. WILL ACCEPT SIZE 22 SOCKET CONTACT M 39029/57-354 OR ANY TYCO HDD-22 SOCKET CONTACT.
6. MFG'S PART NO. STAMPED ON CONNECTOR REPRESENTS KIT NUMBER WITH CONTACTS.
7. UL/CSA DESIGNATION STAMPED ON SHELL.
8. 204514 INK STAMPED, NEAR SIDE. M24308/2-12F INK STAMPED, FAR SIDE.
9. 204502-4 INK STAMPED, NEAR SIDE.
10. FINISH: BRIGHT TIN PER ASTM-B-545, .000400-.000550 THK OVER COPPER PER AMS2418, .000050 MIN THK.



REMARKS	FINISH	SHELL MATERIAL	PART NO.
SUPSD BY 204502-1	CADMIUM PER QQ-P-416	STEEL, CLASS G	204502-4
SUPSD BY 206501-4	CADMIUM PER QQ-P-416	STEEL, CLASS G	204502-3
	CADMIUM PER QQ-P-416	BRASS	204502-2
	CADMIUM PER QQ-P-416	STEEL, CLASS G	204502-1

THIS DRAWING IS A CONTROLLED DOCUMENT.

DIMENSIONS: INCHES	TOLERANCES UNLESS OTHERWISE SPECIFIED:	0 PLC ± -	1 PLC ± -	2 PLC ± -	3 PLC ± .005	4 PLC ± -	ANGLES ± 0°30'
--------------------	--	-----------	-----------	-----------	--------------	-----------	----------------

MATERIAL: SEE TABLE
FINISH: SEE TABLE

THIS DRAWING IS A CONTROLLED DOCUMENT. C.C. THOMAS 01-DEC-87
 CHK: F.C. BALLEW 25-JAN-88
 APVD: F.C. BALLEW 25-JAN-88

Tyco Electronics Corporation
 Harrisburg, PA 17105-3608

NAME: AMPLIMITE RCPT. FOR SOCKET CONTACTS
 HI-DENSITY D CONNECTOR
 SIZE 2 (26 POSN) SERIES 90

SIZE: A1
 CAGE CODE: 00779
 DRAWING NO: 204502

RESTRICTED TO: -
 WEIGHT: -
 CUSTOMER DRAWING: -
 SCALE: 4:1
 SHEET: 1 OF 1
 REV: S