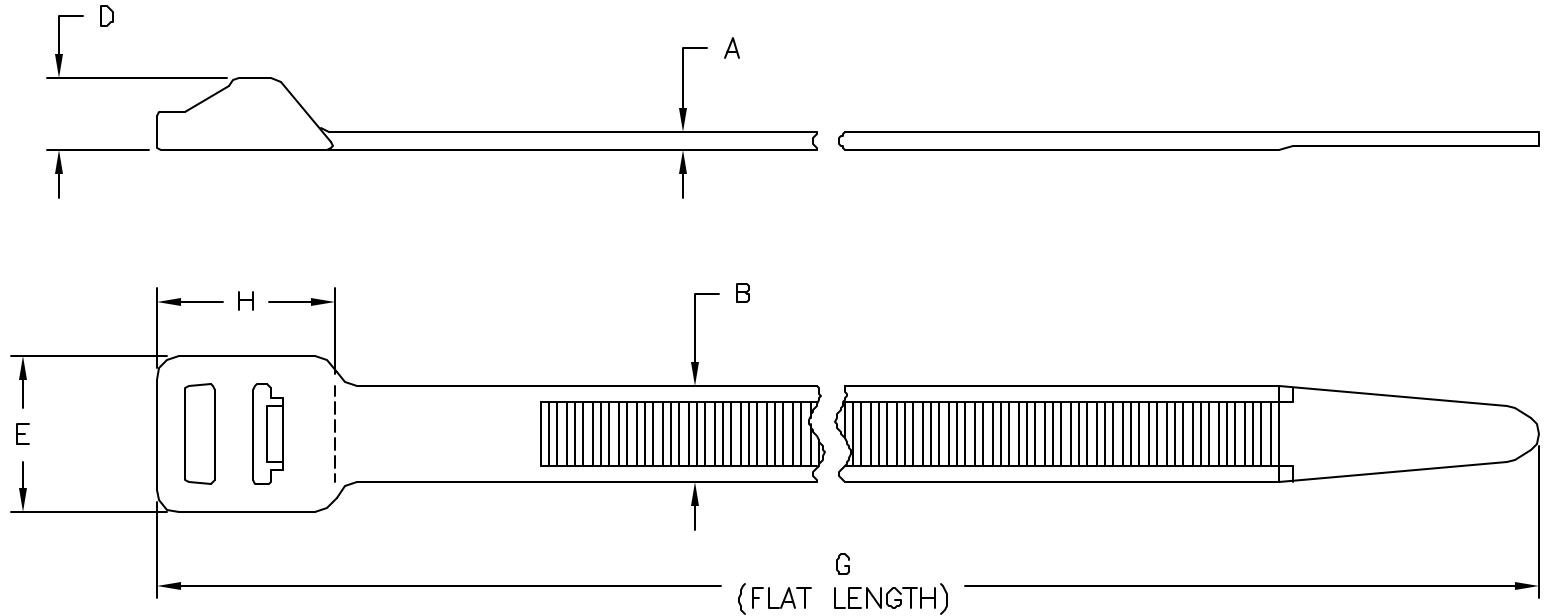


Revision level		Revision Record	Changed	Date	Approved	Date
part	drawing					
-	03	See ECN 002443	A.A.M.	02/27/01	K.A.C.	02/27/01



PRODUCT CODE DESCRIPTION

T250R_UV
 COLOR
 (CONSULT FACTORY FOR AVAILABLE COLORS)



Group Order Number	Aerospace Spec Tie SAE AS33671	Product Code	Cable Range (mm)	Material	A	B	D	E	G	H	Min Loop Tensile Strength (newtons)
-	no	T250R_	12 to 125	PA66	1.9 ±0.2	12.5±0.2	9.5 ±0.5	20.0 ±0.5	515.0 ±5.0	22.4 ±1.0	1115
-	no	T250R_HIRUV		PA66HIRUV							
-	no	T250R_HSUV		PA66HSUV							

SEE CHART

Material

Dimension tolerances unless otherwise specified
 XXXX =
 .XXX =
 .XX =
 X = ± NOTED
 < =

Dimension Units mm

PERFORMANCE SPECIFICATION

ACAD 2000

ALL PROPRIETARY RIGHTS IN THE SUBJECT MATTER SHOWN ON THIS DRAWING ARE EXCLUSIVE PROPERTY OF HELLERMANN TYTON

HellermannTyton.

7930 N. Faulkner Rd.
 Milwaukee, WI 53224
 Ph: (414) 355-1130
 Fx: (414) 362-8338

Drawn A.A.M. 12/05/00
 Approved K.A.C. 2/27/01

Scale 1:1 Computer File Number CT\CST\22500D3_03
 Title T250R HEAVY DUTY LASHING CABLE TIE Phase: Production

Drawing-No CT2250003CST

Format AH
 Sheet 1 of 1