



Copyright FCI.



FCIconnect.com



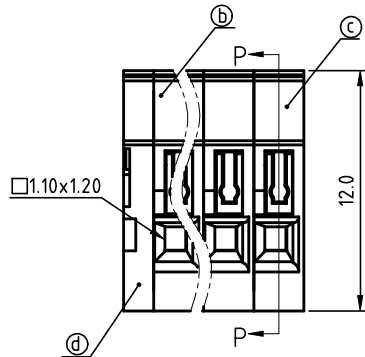
1

2

3

4

PRODUCT NUMBER	PITCH
NAxxB0x100J0G	2.50 mm

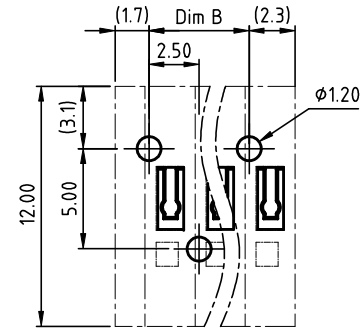


N=Number of poles
 Dim A=Nx2.5+1.5
 Dim B=(N-1)x2.5

Poles	Tolerance
3p/5p	±0.20
7p/9p/11p	±0.25
13p/15p/17p 19/21p/23p	±0.30

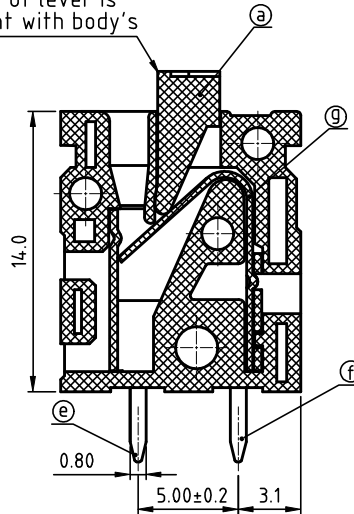
PART NO.: NA xx B0 x 1 00J0 G

- | | | | | | |
|---------------|----------|-------|--------------------|-----------------|-----------|
| End stackable | 0 | Color | Black (RAL9005) | RoHS compliant | (lead<4%) |
| No. of poles | 2 | | Red (RAL3001/D) | In copper Alloy | |
| 03 | 3 poles | | Orange(RAL2011/P) | | |
| 05 | 5 poles | | Yellow(RAL1018/A) | | |
| ... | ... | | 5 Green(RAL6018/T) | | |
| 23 | 23 poles | | 6 Blue (RAL5015/A) | | |
| | | | 8 Grey(RAL7004/P) | | |
| | | | 9 White(RAL1102) | | |
| | | | C Multiple colors | | |



RECOMMENDED P.C.B LAYOUT
TOP VIEW

The color of lever is consistent with body's



SECTION P-P

Material:

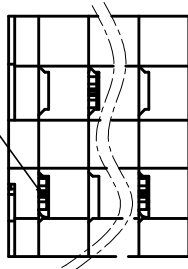
- Item@ Terminal lever: Thermoplastic (UL94 V-0)
- Item@ Terminal Normal housing: Thermoplastic (UL94 V-0)
- Item@ Terminal side body Thermoplastic (UL94 V-0)
- Item@ Terminal cover: Thermoplastic (UL94 V-0)
- Item@ Left contacts pin omit Right side: Brass Tin plated
- Item@ Right contacts pin omit Left side: Brass Tin plated
- Item@ wire guard: Stainless steel

- Electrical cULus
- Voltage rating: 150V
 - Current rating: 3A
 - Wire range: 0.08-0.52mm²
 - Solid wire(AWG): 20-28
 - Stranded wire(AWG): 20-28
 - Wire strip length: 9-10mm
 - Withstanding Voltage: 1.3KV
 - Operating temperature: -40°C to +115°C
 - Soldering temperature: 260°C±5°C/5 Sec
 - Safety Approval: cULus

A

A

Left contacts pin omit
Right side with cover



B

B

mat'l. code		surface ASME Y14.5		tolerance ASME Y14.5		projection		product family	
ltr		ecn no		dr		date		TERMINAL BLOCK	
tolerances unless otherwise specified								title	
angles		X.±0.5		X.X±0.3		X.XX±0.1		TERMINAL BLOCK SPRING CLAMP,90D WIRE INLET,B TYPE ODD POLES	
scale								sheet 1 of 2 size	
dr EVIN ZHONG 052314								A4	
enr EVIN ZHONG 052314								NAxxB0x100J0G	
chr HANKE FENG 052314								type	
appd SHI JUN 052314								CUSTOMER Drawing	
sheet index		revision sheet		A 1					

form: A4mmXLc

1

2

3

4



Copyright FCI.



FCIconnect.com



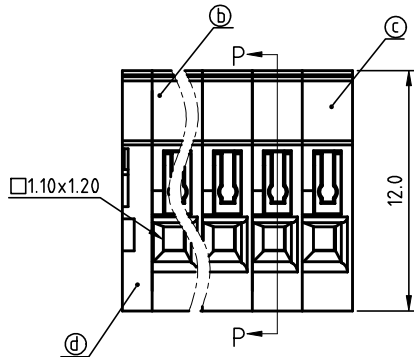
1

2

3

4

PRODUCT NUMBER	PITCH
NAxxB0x100J0G	2.50 mm

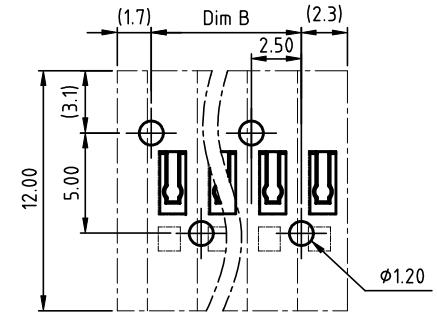


N=Number of poles
 Dim A=Nx2.5+1.5
 Dim B=(N-1)x2.5

Poles	Tolerance
2p/4P/6P	±0.20
8p/10P/12P	±0.25
14P/16P/18P	±0.30
20P/22P/24P	

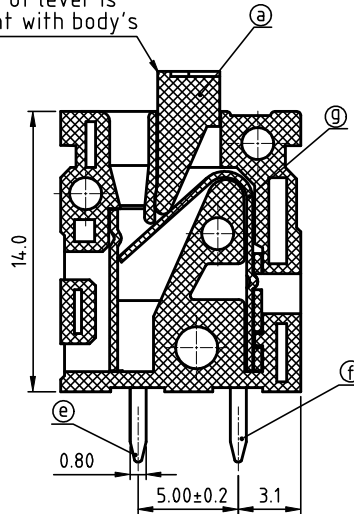
PART NO.: NA xx B0 x 1 00J0 G

End stackable	No. of poles	Color	RoHS compliant (lead<4%) In copper Alloy
0	2	Black (RAL9005)	
02	2 poles	Red (RAL3001/D)	
04	4 poles	Orange(RAL2011/P)	
...	...	4 Yellow(RAL1018/A)	
...	...	5 Green(RAL6018/T)	
24	24 poles	6 Blue (RAL5015/A)	
		8 Grey(RAL7004/P)	
		9 White(RAL1102)	
		C Multiple colors	



RECOMMENDED P.C.B LAYOUT TOP VIEW

The color of lever is consistent with body's



SECTION P-P

Material:

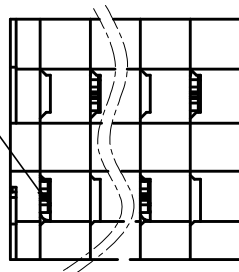
- Item@ Terminal lever: Thermoplastic (UL94 V-0)
- ItemⓅ Terminal Normal housing: Thermoplastic (UL94 V-0)
- ItemⓄ Terminal side body Thermoplastic (UL94 V-0)
- ItemⓈ Terminal cover: Thermoplastic (UL94V-0)
- Item@ Left contacts pin omit Right side: Brass Tin plated
- ItemⓄ Right contacts pin omit Left side: Brass Tin plated
- Item@ wire guard: Stainless steel

- Electrical cULus
- Voltage rating: 150V
 - Current rating: 3A
 - Wire range: 0.08-0.52mm²
 - Solid wire(AWG): 20-28
 - Stranded wire(AWG): 20-28
 - Wire strip length: 9-10mm
 - Withstanding Voltage: 1.3KV
 - Operating temperature: -40°C to +115°C
 - Soldering temperature: 260°C±5°C/5 Sec
 - Safety Approval: cULus

A

A

Left contacts pin omit
Right side with cover



B

B

mat'l. code		surface ASME Y14.5	tolerance ASME Y14.5	projection	product family
ltr ecn no dr date		tolerances unless otherwise specified		MM	TERMINAL BLOCK
		angles	X.±0.5	scale	title
		total	X.X±0.3		TERMINAL BLOCK
		X'±1"	X.XX±0.1		SPRING CLAMP,90D WIRE INLET,B TYPE
		dr	EVIN ZHONG 052314		scale
		enr	EVIN ZHONG 052314		dwg no
		chr	HANKE FENG 052314		sheet 2 of 2 size
		appd	SHI JUN 052314		NAxxB0x100J0G
sheet index		revision sheet	A 2		A4
					type
					CUSTOMER Drawing

form: A4mmXLc

1

2

3

4