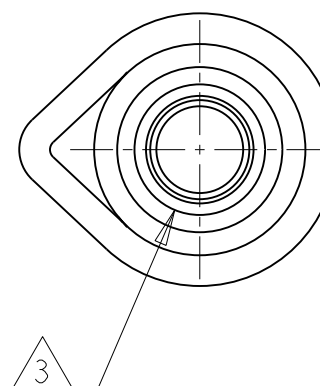
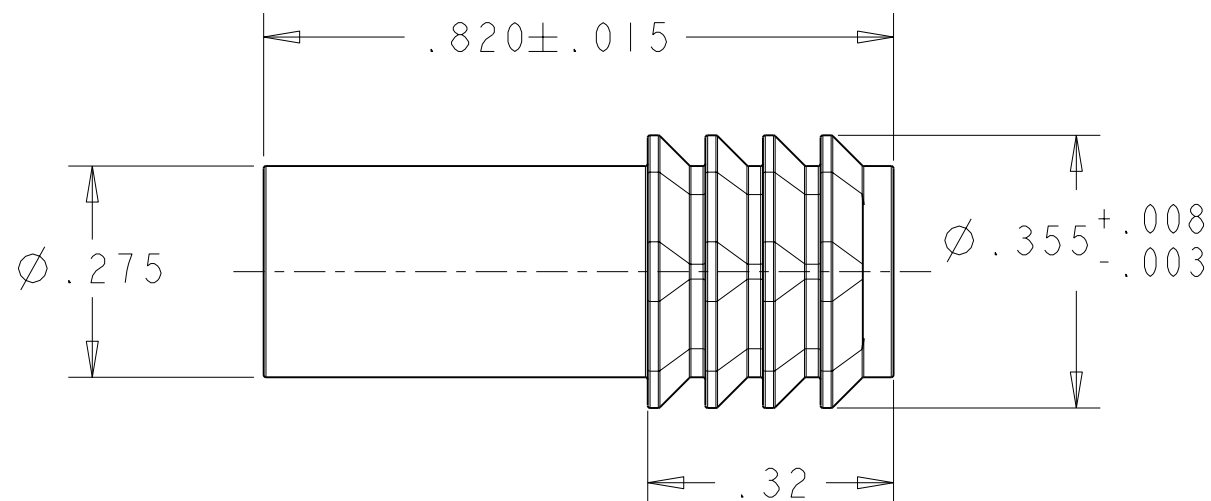
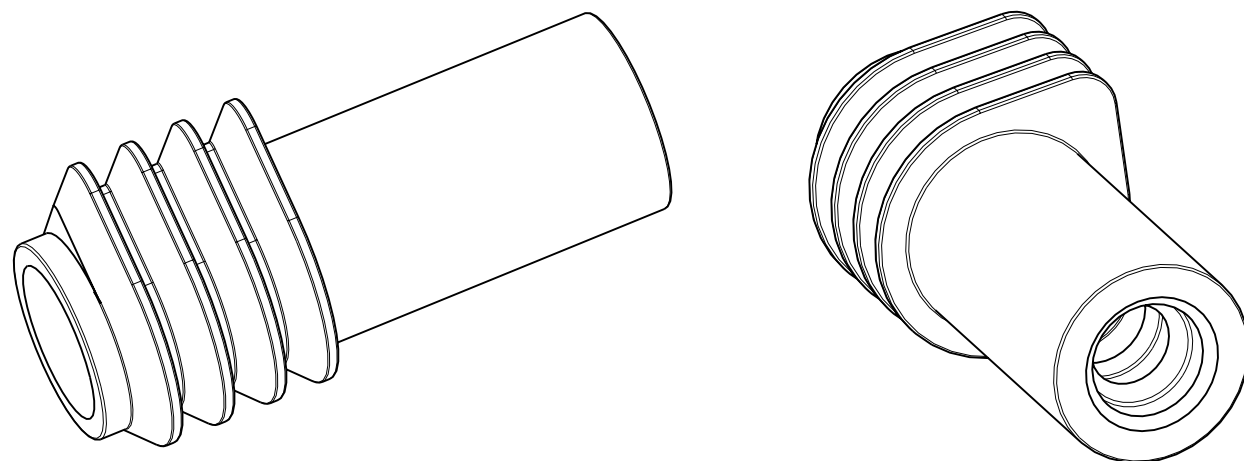


P	LTR	DESCRIPTION	DATE	DWN	APVD
	C	REV PER ECR-06-00797	17JAN06	BH	RW



OBSOLETE

OBSOLETE

OBSOLETE

PACKAGE QTY	DESCRIPTION	PART NUMBER
500	WIRE SEAL FOR QUAD CABLE	1811481-4
100	WIRE SEAL FOR QUAD CABLE	1811481-3
10	WIRE SEAL FOR QUAD CABLE	1811481-2
-	-	1811481-1

- 1 MATERIAL: SELF LUBRICATING SILICONE
- 2. COLOR: BLUE
- 3 INSIDE DIAMETER TO SEAL OFF ON .145-.175 INCH OUTSIDE DIAMETER CABLE
- 4 INDIVIDUAL SEAL, PN 1811481-1 PACKAGED IN POLY BAGS IN QUANTITY PER TABLE.

THIS DRAWING IS A CONTROLLED DOCUMENT FOR TYCO ELECTRONICS CORPORATION
IT IS SUBJECT TO CHANGE AND THE CONTROLLING ENGINEERING ORGANIZATION
SHOULD BE CONTACTED FOR THE LATEST REVISION.

DIMENSIONS:	TOLERANCES UNLESS OTHERWISE SPECIFIED:
IN	0 PLC ±-
	1 PLC ±-
	2 PLC ±.01
	3 PLC ±.005
	4 PLC ±-
	ANGLES ±-
MATERIAL	FINISH
1	-

DWN	Brent D. Yohn	03JAN2005
CHK	R.P. WALTER	03JAN2005
APVD	R.P. WALTER	03JAN2005
PRODUCT SPEC	-	-
APPLICATION SPEC	-	-
WEIGHT	-	-
CUSTOMER DRAWING		

tyco Electronics		Tyco Electronics Harrisburg, PA 17105-3608	
NAME BOOT, SEAL, WIRE, QUADRAX			
SIZE	CAGE CODE	DRAWING NO	RESTRICTED TO
A3	00779	1811481	-
SCALE 4:1		SHEET 1 OF 1	REV C