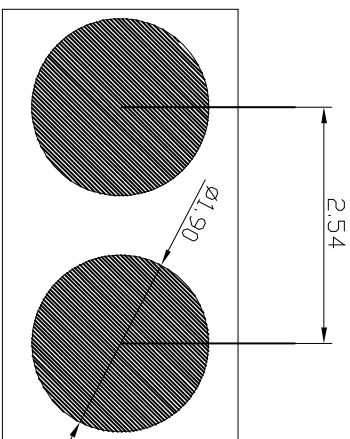
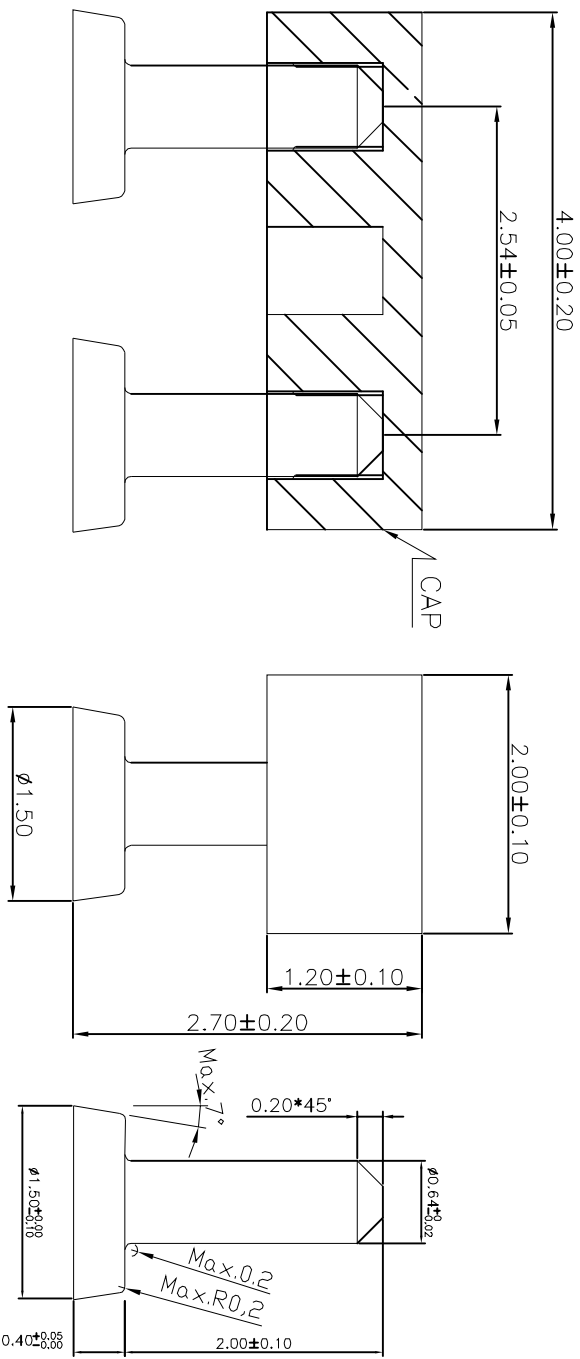


1	2	3	4	5	6	7
---	---	---	---	---	---	---

Technical Data  
 Material: Brass, machined CuZn38Pb2  
 Plating: Gold Flash, 80u"Ni  
 Insulator : PA6T +30%GF (Black, UL94V-0) High Temp  
 Packing: Tape&Reel  
 Soldering Temperature: +260° /10S Max

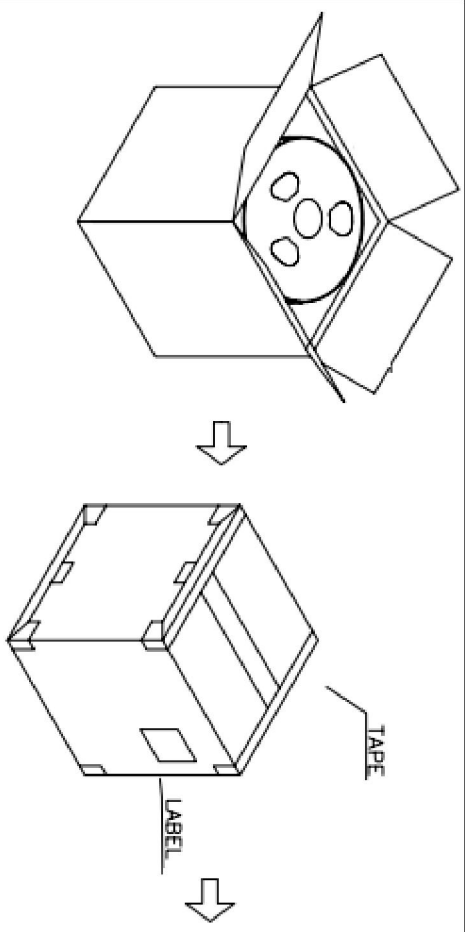
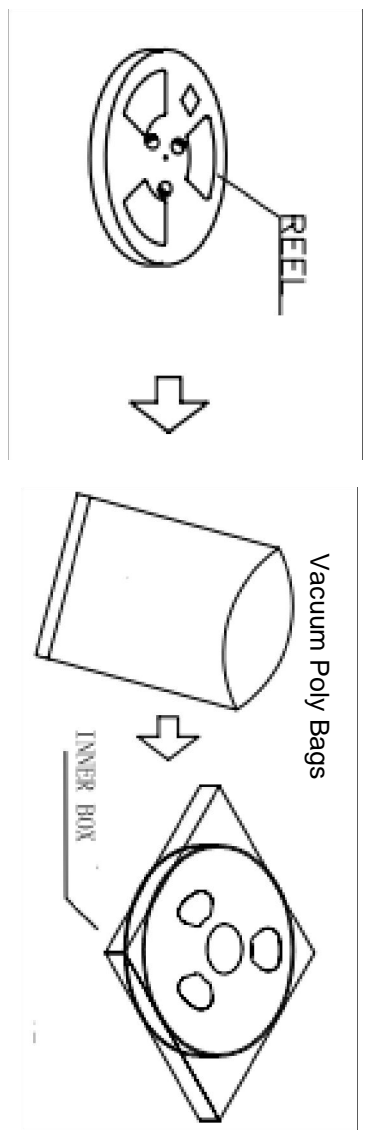
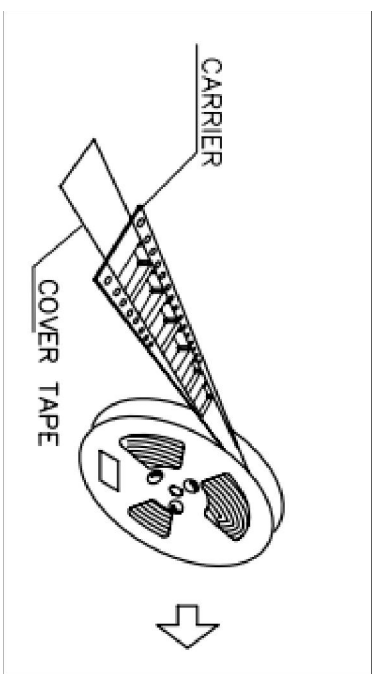


G	<b>ROHS compliant</b>		Unit:mm		Customer-No.		Drawing-No.		ASSMANN WSW-No.		ADP-254-02-SR		
	Scale		Free		Date		Name		Winnie		rev00		
H	TOLERANCE		X.		±0.20		Drawn		28.05.2013		Winnie		
	X.X		±0.15		Approved		28.05.2013		Winnie		1/3		
	X.XXX		±0.10										
	X.XXX		±0.05										
	DIM		TOL										
Angle		±5°		① Drawn		28.05.2013		Winnie		ASSMANN WSW components			
1		2		3		4		5		6		7	
1		2		3		4		5		6		7	

	1	2	3	4	5	6	7																																																																																																						
A																																																																																																													
B																																																																																																													
C																																																																																																													
D																																																																																																													
E																																																																																																													
F																																																																																																													
G	<p style="text-align: center;"><b>ROHS compliant</b></p> <p style="text-align: center;">Unit:mm</p> <table border="1" style="width: 100%; border-collapse: collapse;"> <thead> <tr> <th>Scale</th> <th>Free</th> <th></th> <th></th> <th></th> <th></th> <th></th> </tr> </thead> <tbody> <tr> <td>TOLERANCE</td> <td>±0.20</td> <td></td> <td></td> <td></td> <td></td> <td></td> </tr> <tr> <td>X.X</td> <td>±0.15</td> <td></td> <td></td> <td></td> <td></td> <td></td> </tr> <tr> <td>X.XX</td> <td>±0.10</td> <td></td> <td></td> <td></td> <td></td> <td></td> </tr> <tr> <td>X.XXX</td> <td>±0.05</td> <td></td> <td></td> <td></td> <td></td> <td></td> </tr> <tr> <td>DIM</td> <td>TOL</td> <td></td> <td></td> <td></td> <td></td> <td></td> </tr> <tr> <td>Angle</td> <td>±5°</td> <td></td> <td></td> <td></td> <td></td> <td></td> </tr> </tbody> </table> <table border="1" style="width: 100%; border-collapse: collapse;"> <thead> <tr> <th>Id.</th> <th>Modification</th> <th>Date</th> <th>Name</th> <th>Date</th> <th>Name</th> </tr> </thead> <tbody> <tr> <td>①</td> <td>Drawn</td> <td>28.05.2013</td> <td>Winnie</td> <td></td> <td></td> </tr> </tbody> </table> <table border="1" style="width: 100%; border-collapse: collapse;"> <thead> <tr> <th>W</th> <th>P</th> <th>A0</th> <th>B0</th> </tr> </thead> <tbody> <tr> <td>12.00±0.30</td> <td>8.00±0.10</td> <td>1.80±0.10</td> <td>4.34±0.10</td> </tr> <tr> <td>S0</td> <td>P0</td> <td>A1</td> <td>B1</td> </tr> <tr> <td>1.75±0.10</td> <td>2.00±0.10</td> <td></td> <td></td> </tr> <tr> <td>E</td> <td>P2</td> <td></td> <td></td> </tr> <tr> <td>1.75±0.10</td> <td>2.00±0.10</td> <td></td> <td></td> </tr> <tr> <td>F</td> <td>D0</td> <td>K0</td> <td></td> </tr> <tr> <td>5.50±0.10</td> <td>∅1.50±0.10</td> <td>3.00±0.10</td> <td></td> </tr> <tr> <td>T</td> <td>D1</td> <td>K1</td> <td></td> </tr> <tr> <td>0.30±0.05</td> <td>∅1.50 Min</td> <td></td> <td></td> </tr> </tbody> </table> <p>1. For 10 Sprocket hole pitches, cumulative tolerance is ±0.20mm on tape.  2. Carrier chamber not to exceed 1mm in 250mm.  3. All dimension meet EIA-481-D requirements  4. Material: black Conductive Polystyrene Alloy.  5. Packing length per 13" reel: 20.6 Meters.  6. Component load per 13" reel: 2500 pcs.  7. Beginning 38pcs empty chambers = 300mm, behind 30pcs empty</p>							Scale	Free						TOLERANCE	±0.20						X.X	±0.15						X.XX	±0.10						X.XXX	±0.05						DIM	TOL						Angle	±5°						Id.	Modification	Date	Name	Date	Name	①	Drawn	28.05.2013	Winnie			W	P	A0	B0	12.00±0.30	8.00±0.10	1.80±0.10	4.34±0.10	S0	P0	A1	B1	1.75±0.10	2.00±0.10			E	P2			1.75±0.10	2.00±0.10			F	D0	K0		5.50±0.10	∅1.50±0.10	3.00±0.10		T	D1	K1		0.30±0.05	∅1.50 Min			
Scale	Free																																																																																																												
TOLERANCE	±0.20																																																																																																												
X.X	±0.15																																																																																																												
X.XX	±0.10																																																																																																												
X.XXX	±0.05																																																																																																												
DIM	TOL																																																																																																												
Angle	±5°																																																																																																												
Id.	Modification	Date	Name	Date	Name																																																																																																								
①	Drawn	28.05.2013	Winnie																																																																																																										
W	P	A0	B0																																																																																																										
12.00±0.30	8.00±0.10	1.80±0.10	4.34±0.10																																																																																																										
S0	P0	A1	B1																																																																																																										
1.75±0.10	2.00±0.10																																																																																																												
E	P2																																																																																																												
1.75±0.10	2.00±0.10																																																																																																												
F	D0	K0																																																																																																											
5.50±0.10	∅1.50±0.10	3.00±0.10																																																																																																											
T	D1	K1																																																																																																											
0.30±0.05	∅1.50 Min																																																																																																												
H	<table border="1" style="width: 100%; border-collapse: collapse;"> <thead> <tr> <th>Scale</th> <th>Free</th> <th></th> <th></th> <th></th> <th></th> <th></th> </tr> </thead> <tbody> <tr> <td>TOLERANCE</td> <td>±0.20</td> <td></td> <td></td> <td></td> <td></td> <td></td> </tr> <tr> <td>X.X</td> <td>±0.15</td> <td></td> <td></td> <td></td> <td></td> <td></td> </tr> <tr> <td>X.XX</td> <td>±0.10</td> <td></td> <td></td> <td></td> <td></td> <td></td> </tr> <tr> <td>X.XXX</td> <td>±0.05</td> <td></td> <td></td> <td></td> <td></td> <td></td> </tr> <tr> <td>DIM</td> <td>TOL</td> <td></td> <td></td> <td></td> <td></td> <td></td> </tr> <tr> <td>Angle</td> <td>±5°</td> <td></td> <td></td> <td></td> <td></td> <td></td> </tr> </tbody> </table> <table border="1" style="width: 100%; border-collapse: collapse;"> <thead> <tr> <th>Id.</th> <th>Modification</th> <th>Date</th> <th>Name</th> <th>Date</th> <th>Name</th> </tr> </thead> <tbody> <tr> <td>①</td> <td>Drawn</td> <td>28.05.2013</td> <td>Winnie</td> <td></td> <td></td> </tr> </tbody> </table> <table border="1" style="width: 100%; border-collapse: collapse;"> <thead> <tr> <th>Customer-No.</th> <th>Name</th> <th>Date</th> </tr> </thead> <tbody> <tr> <td></td> <td>Winnie</td> <td>28.05.2013</td> </tr> </tbody> </table> <p>ASSMANN WSW-No. ADP-254-02-SR</p> <p>Drawing-No. ASS 5717 CO rev00</p> <p>Replace SHEET 2/3</p>							Scale	Free						TOLERANCE	±0.20						X.X	±0.15						X.XX	±0.10						X.XXX	±0.05						DIM	TOL						Angle	±5°						Id.	Modification	Date	Name	Date	Name	①	Drawn	28.05.2013	Winnie			Customer-No.	Name	Date		Winnie	28.05.2013																																			
Scale	Free																																																																																																												
TOLERANCE	±0.20																																																																																																												
X.X	±0.15																																																																																																												
X.XX	±0.10																																																																																																												
X.XXX	±0.05																																																																																																												
DIM	TOL																																																																																																												
Angle	±5°																																																																																																												
Id.	Modification	Date	Name	Date	Name																																																																																																								
①	Drawn	28.05.2013	Winnie																																																																																																										
Customer-No.	Name	Date																																																																																																											
	Winnie	28.05.2013																																																																																																											

1 2 3 4 5 6 7

REELS ARE WITH LABEL:



**ROHS compliant**

Unit:mm

Scale	Free									
TOLERANCE	±0.20									
X.	±0.15									
X.X	±0.10									
X.XXX	±0.05									
X.XXX	±0.05									
DIM	TOL									
Angle	±5°									
		①	Drawn	28.05.2013	Winnie					
			Id.	Modification	Date	Name				



Customer-No. \_\_\_\_\_  
 ASSMANN WSW-No. \_\_\_\_\_  
 ADP-254-02-SR

Drawing-No. \_\_\_\_\_  
**ASS 5717 CO**  
 rev00

Replace \_\_\_\_\_  
 SHEET 3/3

1 2 3 4 5 6 7

A B C D E F G H