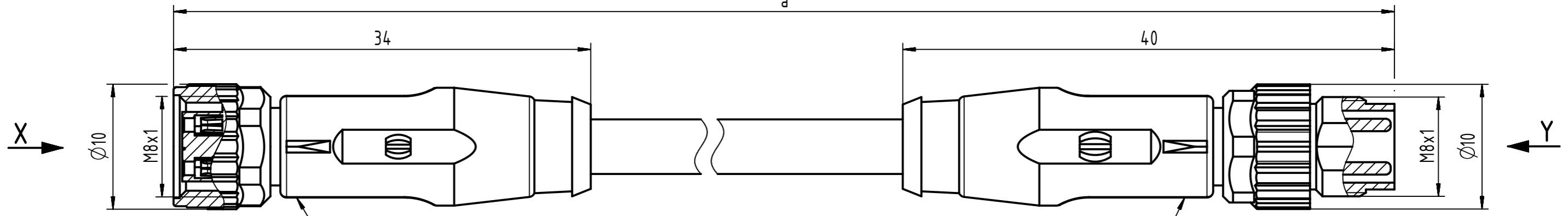


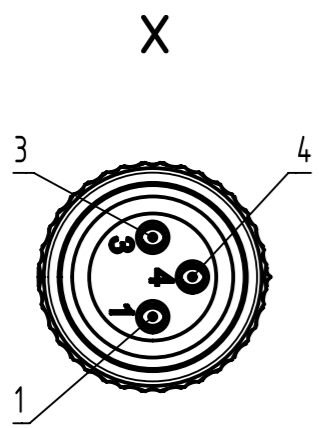
Connector Location A

Connector Location B

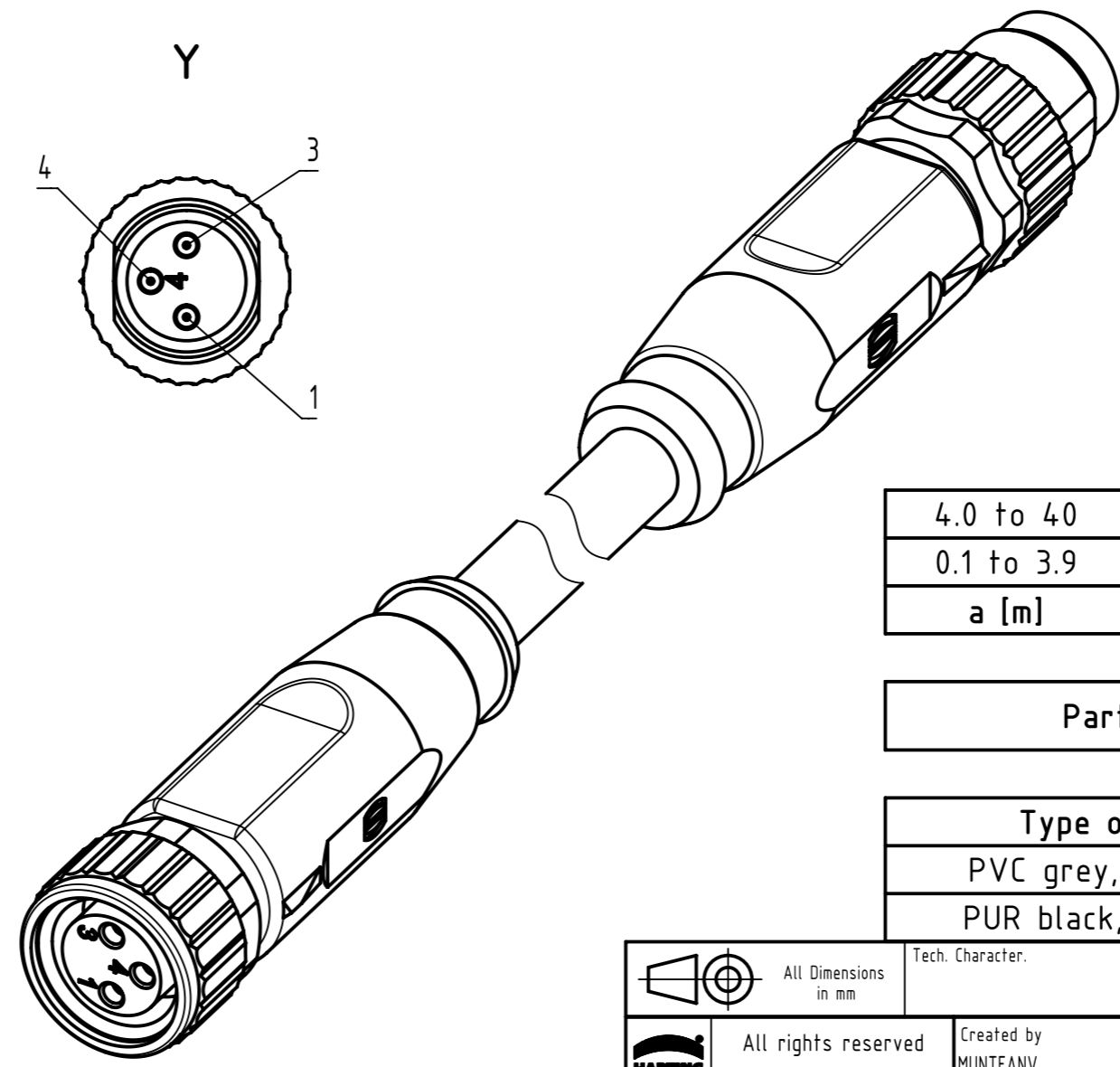
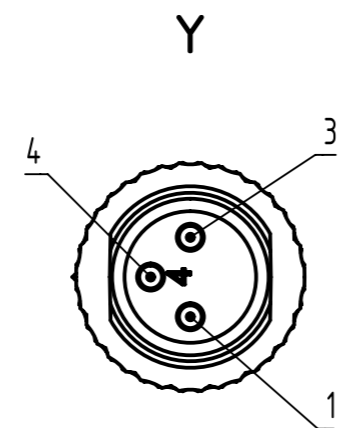


M8 A-coded 3-pole, female straight connector  
for technical details see: DS 21025001002

M8 A-coded 3-pole, male straight connector  
for technical details see: DS 21025001001



Loading-Plan:  
1 brown 1  
3 blue 3  
4 black 4



length in "1m" step	40	XXX=400
	39	XXX=390
	.	.
	12	XXX=120
length in "0.1m" step	11	XXX=110
	10	XXX=100
	9.9	XXX=099
	9.8	XXX=098
	.	.
	0.4	XXX=004
	0.3	XXX=003
	0.2	XXX=002
	0.1	XXX=001
Step	a [m]	XXX

4.0 to 40	+1%
0.1 to 3.9	+0.04
a [m]	Tolerance

Part no.	213480813XXXXX
Type of cable	XX
PVC grey, 3x0.25mm <sup>2</sup>	XX=80
PUR black, 3x0.25mm <sup>2</sup>	XX=88

- Protection level: IP67  
- Temperature range: -25°C ... +80°C

		All Dimensions in mm		Tech. Character.		Free size tol.		According to production drawing	
All rights reserved Department HCS - RO		Created by MUNTEANV	Inspected by COSTEA	Standardisation AVRAM	Date 2017-07-28	State Final Release		Doc-Key / ECM-Nr. 100577987/UGD/009/C 500000122973	
HARTING Customised Solutions D-32427 Minden		Title M8 A-coded Cable Assembly		Type TB		Number 213480813XXXXX		Rev. C	Page 1/1