

Klippon® STB – Stainless Steel Enclosures

NEW



For many decades the name Klippon® has been synonymous for competence and quality in our proven supply of enclosures and customer solutions for standard industrial and hazardous environment applications. This philosophy continues with our Klippon® STB range of stainless steel enclosures.

Ideally suited to the transportation, energy and process industries; the Klippon® STB is a natural compliment to our existing Klippon® enclosures product portfolio.

The enclosures are approved to international standards e.g. EN 62208 and EN 60079-0/7 (ATEX)

Some of the many advantages of these enclosures are:

- High temperature silicone gasket fitted as standard (improved temperature range –50 °C to +120 °C)
- Flexible internal terminal rail mounting options
- Gasket compression control ensuring gasket lifetime performance is not compromised
- Earth stud fitted to body and lid
- Laser welding for quality finish and results
- Mounting lugs pre-fitted and ensure secure product mounting



United Kingdom

Weidmüller Ltd.
1 Abbey Wood Road
Kings Hill
West Malling
Kent ME19 4YT
Phone +44 1732 877000
Fax +44 1732 873873
info@weidmuller.co.uk
www.weidmueller.com

USA

W-Interconnections, Inc.
821 Southlake Boulevard,
Richmond, VA 23236
Phone +1 804 7942877
Fax +1 804 3792593
info@weidmuller.com
www.weidmuller.com

Other countries

Weidmüller Interface GmbH & Co. KG
P.O. Box 3030
32720 Detmold
Phone +49 5231 14-0
Fax +49 5231 14-20 83
info@weidmueller.com
www.weidmueller.com

Improved product features – to meet your demands

1 Flexible internal mounting options

C-Profile (TAS 20) rail fitted as standard with M5 sliding fixing nuts included to ensure stability of rail assembly and to help provide the maximum possible internal working area.

2 High temperature gasket

A high temperature silicone gasket offers enhanced product performance in extreme temperature conditions (-50 °C to +120 °C).

3 Gasket compression control

Guarantees Ingress Protection (IP) performance and ensures that the gasket is not compromised during use.

4 Earth stud fitted inside lid

Provides earthing of hazardous potential of the removable lid as required by the latest industrial and ATEX standards.

5 Mounting lugs

Mounting lugs are pre-fitted as standard and are designed to be secure in operation (vibration and shock tested).

6 Internal/External Earth Stud

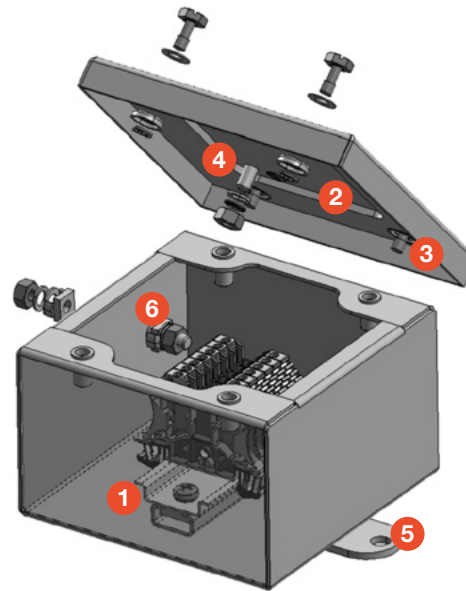
No ingress path and eliminates any potential for IP failure in the field through the earth stud.

7 Laser welding for quality results

Provides consistent IP protection and maintains a quality finish.

8 International approvals

Approved for use within hazardous areas (including Ex e - increased safety) applications.



Klippon® STB 1

Steel Enclosures for use in Industrial and Hazardous Area Applications



Dimensions

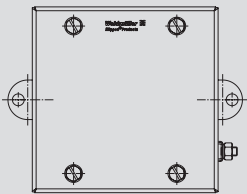
Height x Width x Depth	mm	120 x 120 x 80
Weight	kg	1.34

Technical Data

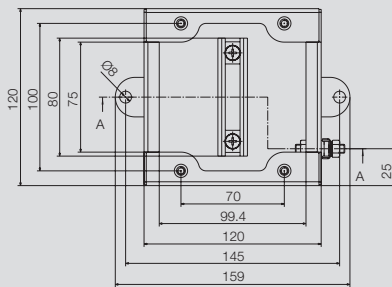
Enclosure Material: Stainless Steel 1.4404(316L) 1.50mm	Approvals for Empty Enclosure:
Ingress Protection: IP66	ATEX Certification: IBExU 07ATEX1147 U
Earthing: Body-Internal/External M6 Stainless Steel	ATEX Marking: Ⓜ II 2 G Ex e II
Lid - M6 x 12 Stainless Steel	Ⓜ II 2 D Ex tD A21 IP66
Internal Mounting: via C-Profile welded	cULus: E 197061
External Mounting: 2 External lugs with 8 mm holes	Lloyds Register: 08/20032
Lid Opening: Fully detachable lid with 4 x M5 Bolts	Germanischer Lloyd: 5935808 HH
Impact Resistance: 7J ATEX	Gost: POCC DE.ME25.B01450
10J industry standard	Approvals for Control and Distribution Box:
Gasket Material: Silicone -50 °C to +120 °C	ATEX Certification: IBExU 07ATEX1148
<i>Gasket compression control in accordance with manufacturers recommendation</i>	ATEX Marking: Ⓜ II 2 GD Ex e II Tx Ex tD A21 IP6x Tx
	Ⓜ II 1 GD Ex ia IIC Tx Ex tD A20 IP6x Tx
	Ⓜ II 2(1) GD Ex e[ia] IIC Tx Ex tD A21 IP6x Tx

Elevations

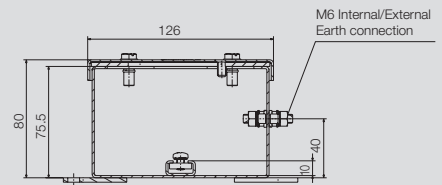
Front View



Front View – Lid Removed



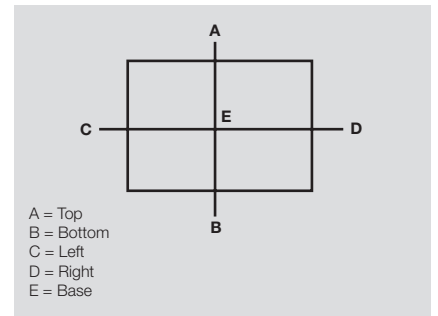
Side View



Ordering Data Enclosures

Description	Finish	Part Number
KLIPPON STB 1 SS	Polished Sheet	1002690000
KLIPPON STB 1 SS E	Electropolished	1058810000

Number of Cable Entries		A/B	C	D
Max number of cable entries per enclosure side**	M12	10	10	8
	M16	6	6	4
	M20	6	6	4
	M25	3	3	2
	M32	2	2	1
	M40	2	2	1
	M50	-	-	-
	M63	-	-	-



Max Number of Terminals (Industrial)			Vertical			Horizontal		
			W series V	Z series H	SAK series V	W series V	Z series H	SAK series V
WDU 2.5	ZDU 2.5	SAK 2.5	17	17	14			
WDU 4	ZDU 4	SAK 4	14	14	13			
WDU 6	ZDU 6	SAK 6	11	11	11			
WDU 10	ZDU 10	SAK 10	8	8	8			
WDU 16N	ZDU 16	SAK 16	7	7	7			

Ordering Data Accessories

Sliding Fixing Nuts	Part Number
SFNS5 VKMU M5 SW16	0433500000

Notes: Each enclosure is supplied with a set of sliding nuts + washer+ screws M5, to fix the mounting rail TS 35 or 32 onto the C-Profile

Comments ** Cable entries based on Weidmüller's standard IP68 cable glands
 - For specific hazardous area requirements please contact Weidmüller for a copy of the full certificate

Klippon® STB 1.1

Steel Enclosures for use in Industrial and Hazardous Area Applications



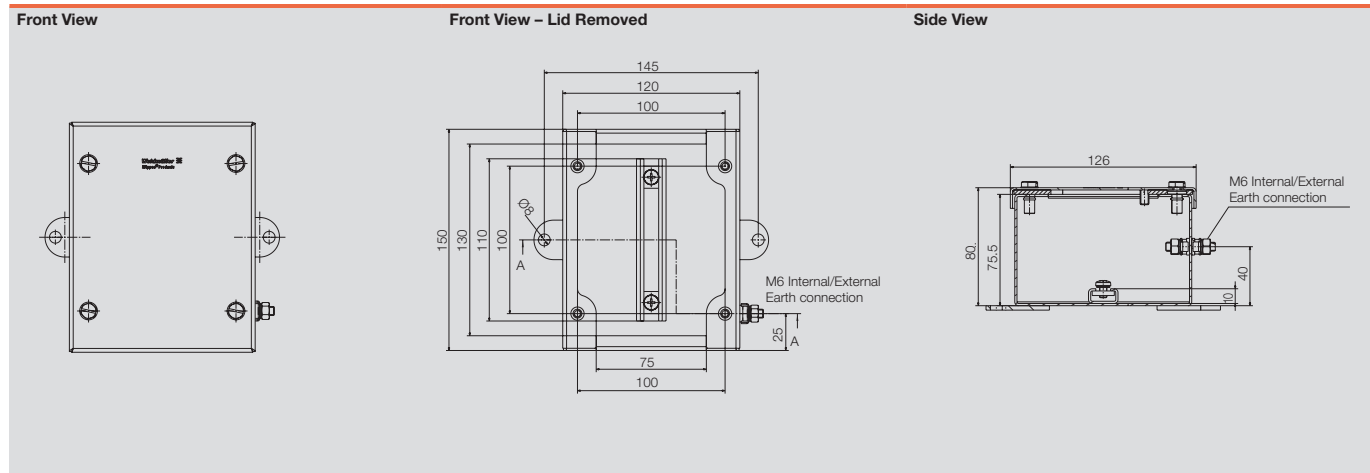
Dimensions

Height x Width x Depth	mm	150 x 120 x 80
Weight	kg	1.38

Technical Data

Enclosure Material: Stainless Steel 1.4404(316L) 1.50mm	Approvals for Empty Enclosure:
Ingress Protection: IP66	ATEX Certification: IBExU 07ATEX1147 U
Earthing: Body-Internal/External M6 Stainless Steel	ATEX Marking: Ⓜ II 2 G Ex e II
Lid - M6 x 12 Stainless Steel	Ⓜ II 2 D Ex tD A21 IP66
Internal Mounting: via C-Profile welded	cULus: E 197061
External Mounting: 2 External lugs with 8 mm holes	Lloyds Register: 08/20032
Lid Opening: Fully detachable lid with 4 x M5 Bolts	Germanischer Lloyd: 5935808 HH
Impact Resistance: 7J ATEX	Gost: POCC DE.ME25.B01450
10J industry standard	Approvals for Control and Distribution Box:
Gasket Material: Silicone -50 °C to +120 °C	ATEX Certification: IBExU 07ATEX1148
<i>Gasket compression control in accordance with manufacturers recommendation</i>	ATEX Marking: Ⓜ II 2 GD Ex e II Tx Ex tD A21 IP6x Tx
	Ⓜ II 1 GD Ex ia IIC Tx Ex tD A20 IP6x Tx
	Ⓜ II 2(1) GD Ex e[ia] IIC Tx Ex tD A21 IP6x Tx

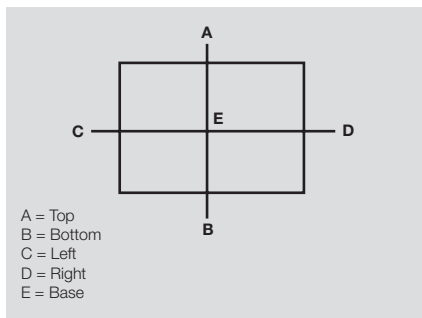
Elevations



Ordering Data Enclosures

Description	Finish	Part Number
KLIPPON STB 1.1 S	Polished Sheet	1002750000
KLIPPON STB 1.1 SS E	Electropolished	1058820000

Number of Cable Entries		A/B	C	D
Max number of cable entries per enclosure side**	M12	10	12	10
	M16	6	8	6
	M20	3	4	3
	M25	3	3	2
	M32	2	3	2
	M40	2	2	1
	M50	-	-	-
	M63	-	-	-



Max Number of Terminals (Industrial)			Vertical			Horizontal		
			W series V	Z series H	SAK series V	W series V	Z series H	SAK series V
WDU 2.5	ZDU 2.5	SAK 2.5	23	23	19			
WDU 4	ZDU 4	SAK 4	19	19	18			
WDU 6	ZDU 6	SAK 6	14	14	14			
WDU 10	ZDU 10	SAK 10	11	11	11			
WDU 16N	ZDU 16	SAK 16	9	9	9			

Ordering Data Accessories

Sliding Fixing Nuts	Part Number
SFNS5 VKMU M5 SW16	0433500000

Notes: Each enclosure is supplied with a set of sliding nuts + washer+ screws M5, to fix the mounting rail TS 35 or 32 onto the C-Profile

Comments ** Cable entries based on Weidmüller's standard IP68 cable glands
 - For specific hazardous area requirements please contact Weidmüller for a copy of the full certificate

Klippon® STB 2

Steel Enclosures for use in Industrial and Hazardous Area Applications



Dimensions

Height x Width x Depth	mm	150 x 150 x 90
Weight	kg	1.63

Technical Data

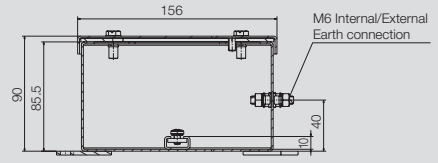
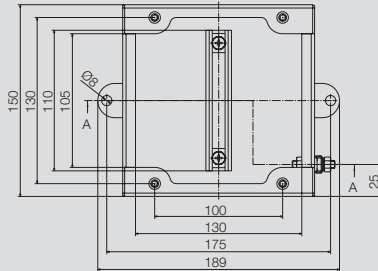
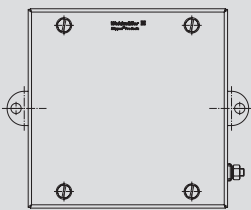
Enclosure Material: Stainless Steel 1.4404(316L) 1.50mm	Approvals for Empty Enclosure:
Ingress Protection: IP66	ATEX Certification: IBExU 07ATEX1147 U
Earthing: Body-Internal/External M6 Stainless Steel	ATEX Marking: Ⓜ II 2 G Ex e II
Lid - M6 x 12 Stainless Steel	Ⓜ II 2 D Ex tD A21 IP66
Internal Mounting: via C-Profile welded	cULus: E 256877
External Mounting: 2 External lugs with 8 mm holes	Lloyds Register: 08/20032
Lid Opening: Fully detachable lid with 4 x M5 Bolts	Germanischer Lloyd: 5935808 HH
Impact Resistance: 7J ATEX	Gost: POCC DE.ME25.B01450
10J industry standard	Approvals for Control and Distribution Box:
Gasket Material: Silicone -50 °C to +120 °C	ATEX Certification: IBExU 07ATEX1148
<i>Gasket compression control in accordance with manufacturers recommendation</i>	ATEX Marking: Ⓜ II 2 GD Ex e II Tx Ex tD A21 IP6x Tx
	Ⓜ II 1 GD Ex ia IIC Tx Ex tD A20 IP6x Tx
	Ⓜ II 2(1) GD Ex e[ia] IIC Tx Ex tD A21 IP6x Tx

Elevations

Front View

Front View – Lid Removed

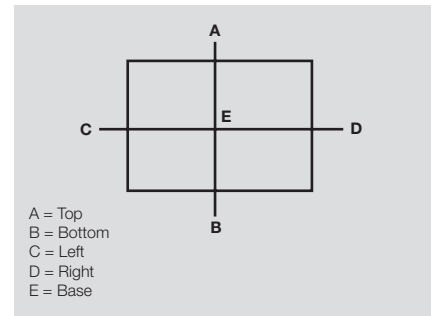
Side View



Ordering Data Enclosures

Description	Finish	Part Number
KLIPPON STB 2 SS	Polished Sheet	1002740000
KLIPPON STB 2 SS E	Electropolished	1058830000

Number of Cable Entries		A/B	C	D
Max number of cable entries per enclosure side**	M12	15	15	15
	M16	10	10	8
	M20	8	8	6
	M25	3	3	2
	M32	3	3	2
	M40	2	2	2
	M50	1	1	1
	M63	-	-	-



Max Number of Terminals (Industrial)			Vertical			Horizontal		
			W series V	Z series H	SAK series V	W series V	Z series H	SAK series V
WDU 2.5	ZDU 2.5	SAK 2.5	23	23	19			
WDU 4	ZDU 4	SAK 4	19	19	18			
WDU 6	ZDU 6	SAK 6	14	14	14			
WDU 10	ZDU 10	SAK 10	11	11	11			
WDU 16N	ZDU 16	SAK 16	9	9	9			

Ordering Data Accessories

Sliding Fixing Nuts	Part Number
SFNS5 VKMU M5 SW16	0433500000

Notes: Each enclosure is supplied with a set of sliding nuts + washer+ screws M5, to fix the mounting rail TS 35 or 32 onto the C-Profile

Comments ** Cable entries based on Weidmüller's standard IP68 cable glands
 - For specific hazardous area requirements please contact Weidmüller for a copy of the full certificate

Klippon® STB 2.1

Steel Enclosures for use in Industrial and Hazardous Area Applications



Dimensions

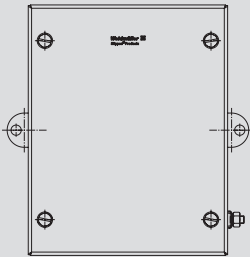
Height x Width x Depth	mm	190 x 150 x 90
Weight	kg	2.08

Technical Data

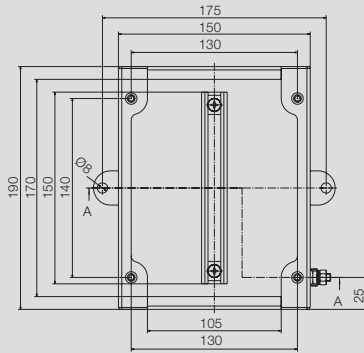
Enclosure Material: Stainless Steel 1.4404(316L) 1.50mm	Approvals for Empty Enclosure:
Ingress Protection: IP66	ATEX Certification: IBExU 07ATEX1147 U
Earthing: Body-Internal/External M6 Stainless Steel	ATEX Marking: Ⓜ II 2 G Ex e II
Lid - M6 x 12 Stainless Steel	Ⓜ II 2 D Ex tD A21 IP66
Internal Mounting: via C-Profile welded	cULus: E 256877
External Mounting: 2 External lugs with 8 mm holes	Lloyds Register: 08/20032
Lid Opening: Fully detachable lid with 4 x M5 Bolts	Germanischer Lloyd: 5935808 HH
Impact Resistance: 7J ATEX	Gost: POCC DE.ME25.B01450
10J industry standard	Approvals for Control and Distribution Box:
Gasket Material: Silicone -50 °C to +120 °C	ATEX Certification: IBExU 07ATEX1148
<i>Gasket compression control in accordance with manufacturers recommendation</i>	ATEX Marking: Ⓜ II 2 GD Ex e II Tx Ex tD A21 IP6x Tx
	Ⓜ II 1 GD Ex ia IIC Tx Ex tD A20 IP6x Tx
	Ⓜ II 2(1) GD Ex e[a] IIC Tx Ex tD A21 IP6x Tx

Elevations

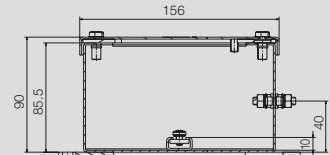
Front View



Front View – Lid Removed



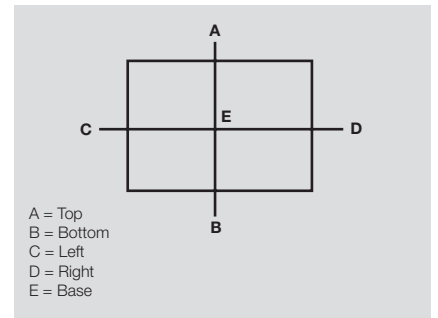
Side View



Ordering Data Enclosures

Description	Finish	Part Number
KLIPPON STB 2.1 SS	Polished Sheet	1002730000
KLIPPON STB 2.1 SS E	Electropolished	1058840000

Number of Cable Entries		A/B	C	D
Max number of cable entries per enclosure side**	M12	15	21	18
	M16	10	12	10
	M20	8	10	10
	M25	3	4	3
	M32	3	3	3
	M40	2	2	2
	M50	1	1	1
	M63	-	-	-



Max Number of Terminals (Industrial)			Vertical			Horizontal		
			W series V	Z series H	SAK series V	W series V	Z series H	SAK series V
WDU 2.5	ZDU 2.5	SAK 2.5	30	30	25			
WDU 4	ZDU 4	SAK 4	25	25	24			
WDU 6	ZDU 6	SAK 6	20	20	19			
WDU 10	ZDU 10	SAK 10	15	15	15			
WDU 16N	ZDU 16	SAK 16	13	13	13			

Ordering Data Accessories

Sliding Fixing Nuts	Part Number
SFNS5 VKMU M5 SW16	0433500000

Notes: Each enclosure is supplied with a set of sliding nuts + washer+ screws M5, to fix the mounting rail TS 35 or 32 onto the C-Profile

Comments ** Cable entries based on Weidmüller's standard IP68 cable glands
 - For specific hazardous area requirements please contact Weidmüller for a copy of the full certificate

Klippon® STB 3

Steel Enclosures for use in Industrial and Hazardous Area Applications



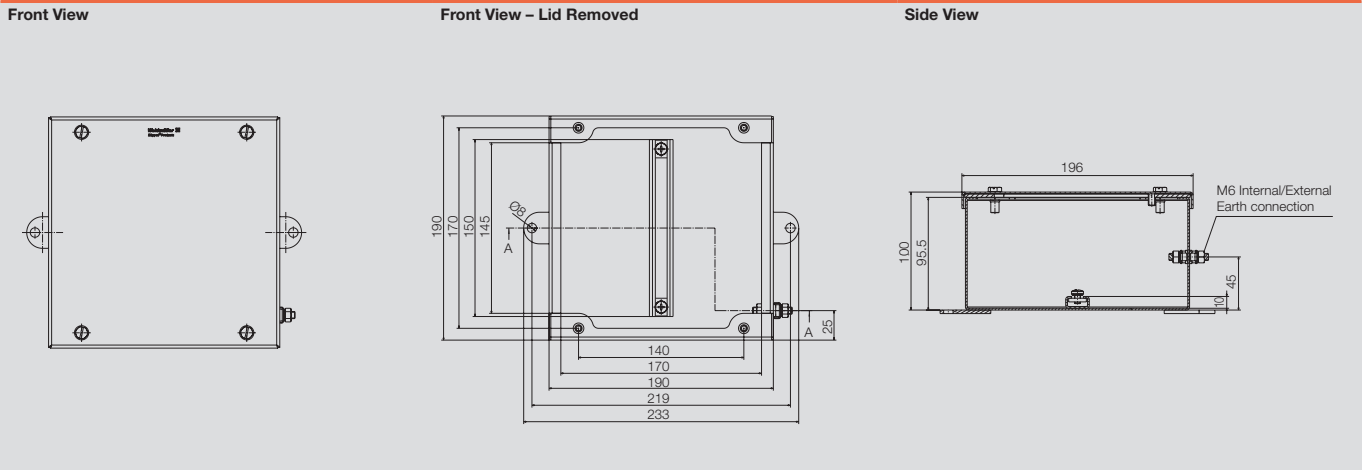
Dimensions

Height x Width x Depth	mm	190 x 190 x 100
Weight	kg	2.59

Technical Data

Enclosure Material: Stainless Steel 1.4404(316L) 1.50mm	Approvals for Empty Enclosure:
Ingress Protection: IP66	ATEX Certification: IBExU 07ATEX1147 U
Earthing: Body-Internal/External M6 Stainless Steel	ATEX Marking: Ⓜ II 2 G Ex e II
Lid - M6 x 12 Stainless Steel	Ⓜ II 2 D Ex tD A21 IP66
Internal Mounting: via C-Profile welded	cULus: E 256877
External Mounting: 2 External lugs with 8 mm holes	Lloyds Register: 08/20032
Lid Opening: Fully detachable lid with 4 x M5 Bolts	Germanischer Lloyd: 5935808 HH
Impact Resistance: 7J ATEX	Gost: POCC DE.ME25.B01450
10J industry standard	Approvals for Control and Distribution Box:
Gasket Material: Silicone -50 °C to +120 °C	ATEX Certification: IBExU 07ATEX1148
<i>Gasket compression control in accordance with manufacturers recommendation</i>	ATEX Marking: Ⓜ II 2 GD Ex e II Tx Ex tD A21 IP6x Tx
	Ⓜ II 1 GD Ex ia IIC Tx Ex tD A20 IP6x Tx
	Ⓜ II 2(1) GD Ex e[a] IIC Tx Ex tD A21 IP6x Tx

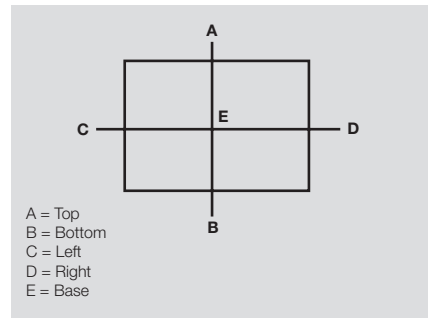
Elevations



Ordering Data Enclosures

Description	Finish	Part Number
KLIPPON STB 3 SS	Polished Sheet	1002720000
KLIPPON STB 3 SS E	Electropolished	1058850000

Number of Cable Entries		A/B	C	D
Max number of cable entries per enclosure side**	M12	21	21	21
	M16	15	15	15
	M20	10	10	8
	M25	8	8	6
	M32	3	3	3
	M40	3	3	2
	M50	2	2	1
	M63	1	1	-



Max Number of Terminals (Industrial)			Vertical			Horizontal		
			W series V	Z series H	SAK series V	W series V	Z series H	SAK series V
WDU 2.5	ZDU 2.5	SAK 2.5	30	30	25			
WDU 4	ZDU 4	SAK 4	25	25	24			
WDU 6	ZDU 6	SAK 6	20	20	19			
WDU 10	ZDU 10	SAK 10	15	15	15			
WDU 16N	ZDU 16	SAK 16	13	13	13			

Ordering Data Accessories

Sliding Fixing Nuts	Part Number
SFNS5 VKMU M5 SW16	0433500000

Notes: Each enclosure is supplied with a set of sliding nuts + washer+ screws M5, to fix the mounting rail TS 35 or 32 onto the C-Profile

Comments ** Cable entries based on Weidmüller's standard IP68 cable glands
 - For specific hazardous area requirements please contact Weidmüller for a copy of the full certificate

Klippon® STB 4

Steel Enclosures for use in Industrial and Hazardous Area Applications



Dimensions

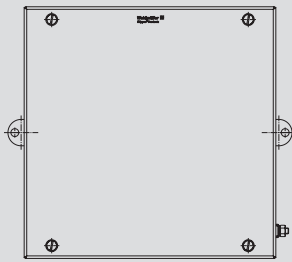
Height x Width x Depth	mm	250 x 250 x 120
Weight	kg	4.45

Technical Data

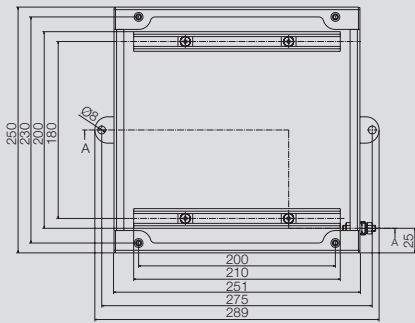
Enclosure Material: Stainless Steel 1.4404(316L) 1.50mm	Approvals for Empty Enclosure:
Ingress Protection: IP66	ATEX Certification: IBExU 07ATEX1147 U
Earthing: Body-Internal/External M6 Stainless Steel	ATEX Marking: Ⓜ II 2 G Ex e II
Lid - M6 x 12 Stainless Steel	Ⓜ II 2 D Ex tD A21 IP66
Internal Mounting: via C-Profile welded	cULus: E 256877
External Mounting: 2 External lugs with 8 mm holes	Lloyds Register: 08/20032
Lid Opening: Fully detachable lid with 4 x M5 Bolts	Germanischer Lloyd: 5935808 HH
Impact Resistance: 7J ATEX	Gost: POCC DE.ME25.B01450
10J industry standard	Approvals for Control and Distribution Box:
Gasket Material: Silicone -50 °C to +120 °C	ATEX Certification: IBExU 07ATEX1148
<i>Gasket compression control in accordance with manufacturers recommendation</i>	ATEX Marking: Ⓜ II 2 GD Ex e II Tx Ex tD A21 IP6x Tx
	Ⓜ II 1 GD Ex ia IIC Tx Ex tD A20 IP6x Tx
	Ⓜ II 2(1) GD Ex e[a] IIC Tx Ex tD A21 IP6x Tx

Elevations

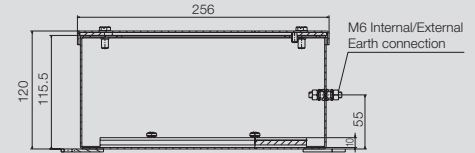
Front View



Front View – Lid Removed



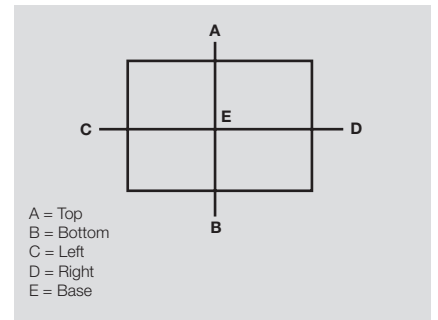
Side View



Ordering Data Enclosures

Description	Finish	Part Number
KLIPPON STB 4 SS	Polished Sheet	1002710000
KLIPPON STB 4 SS E	Electropolished	1058860000

Number of Cable Entries		A/B	C	D
Max number of cable entries per enclosure side**	M12	32	32	32
	M16	21	21	21
	M20	12	12	12
	M25	10	10	10
	M32	8	8	8
	M40	3	3	3
	M50	2	3	2
	M63	2	2	2



Max Number of Terminals (Industrial)			Vertical			Horizontal		
			W series V	Z series H	SAK series V	W series V	Z series H	SAK series V
WDU 2.5	ZDU 2.5	SAK 2.5	2 x 42	2 x 42	2 x 35	2 x 42	2 x 42	2 x 35
WDU 4	ZDU 4	SAK 4	2 x 35	2 x 35	2 x 33	2 x 35	2 x 35	2 x 33
WDU 6	ZDU 6	SAK 6	2 x 27	2 x 27	2 x 27	2 x 27	2 x 27	2 x 27
WDU 10	ZDU 10	SAK 10	2 x 22	2 x 22	2 x 21	2 x 22	2 x 22	2 x 21
WDU 16N	ZDU 16	SAK 16	2 x 18	2 x 18	2 x 18	2 x 18	2 x 18	2 x 18

Ordering Data Accessories

Sliding Fixing Nuts	Part Number
SFNS5 VKMU M5 SW16	0433500000

Notes: Each enclosure is supplied with a set of sliding nuts + washer+ screws M5, to fix the mounting rail TS 35 or 32 onto the C-Profile

Comments ** Cable entries based on Weidmüller's standard IP68 cable glands
 - For specific hazardous area requirements please contact Weidmüller for a copy of the full certificate

Klippon® STB 5

Steel Enclosures for use in Industrial and Hazardous Area Applications



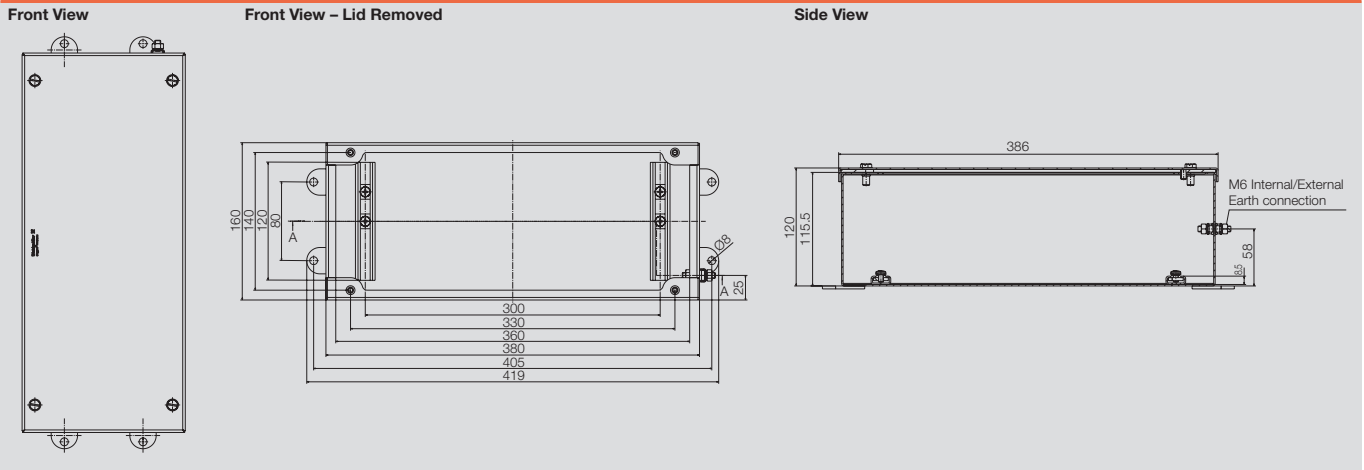
Dimensions

Height x Width x Depth	mm	160 x 380 x 120
Weight	kg	4.82

Technical Data

Enclosure Material: Stainless Steel 1.4404(316L) 1.50mm	Approvals for Empty Enclosure:
Ingress Protection: IP66	ATEX Certification: IBExU 07ATEX1147 U
Earthing: Body-Internal/External M6 Stainless Steel	ATEX Marking: Ⓜ II 2 G Ex e II
Lid - M6 x 12 Stainless Steel	Ⓜ II 2 D Ex tD A21 IP66
Internal Mounting: via C-Profile welded	cULus: E 256877
External Mounting: 4 External lugs with 8 mm holes	Lloyds Register: 08/20032
Lid Opening: Fully detachable lid with 4 x M5 Bolts	Germanischer Lloyd: 5935808 HH
Impact Resistance: 7J ATEX	Gost: POCC DE.ME25.B01450
10J industry standard	Approvals for Control and Distribution Box:
Gasket Material: Silicone -50 °C to +120 °C	ATEX Certification: IBExU 07ATEX1148
<i>Gasket compression control in accordance with manufacturers recommendation</i>	ATEX Marking: Ⓜ II 2 GD Ex e II Tx Ex tD A21 IP6x Tx
	Ⓜ II 1 GD Ex ia IIC Tx Ex tD A20 IP6x Tx
	Ⓜ II 2(1) GD Ex e[ia] IIC Tx Ex tD A21 IP6x Tx

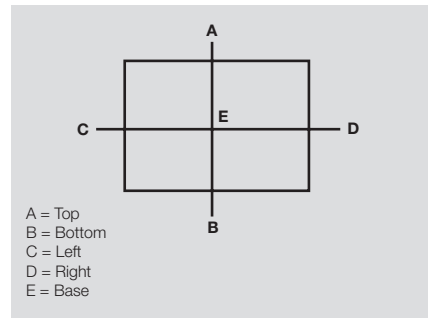
Elevations



Ordering Data Enclosures

Description	Finish	Part Number
KLIPPON STB 5 SS	Polished Sheet	1002700000
KLIPPON STB 5 SS E	Electropolished	1058880000

Number of Cable Entries		A/B	C	D
Max number of cable entries per enclosure side**	M12	64	20	20
	M16	33	15	12
	M20	30	12	12
	M25	16	6	6
	M32	10	4	4
	M40	6	2	2
	M50	4	2	1
	M63	2	1	1



Max Number of Terminals (Industrial)			Vertical			Horizontal		
			W series V	Z series H	SAK series V	W series V	Z series H	SAK series V
WDU 2.5	ZDU 2.5	SAK 2.5	3 x 25	3 x 25	3 x 21	1 x 68	68	57
WDU 4	ZDU 4	SAK 4	3 x 21	3 x 21	3 x 19	1 x 57	57	53
WDU 6	ZDU 6	SAK 6	3 x 16	3 x 16	3 x 16	1 x 44	44	43
WDU 10	ZDU 10	SAK 10	3 x 12	3 x 12	3 x 12	1 x 35	35	34
WDU 16N	ZDU 16	SAK 16	3 x 10	3 x 10	3 x 10	1 x 29	29	29

Ordering Data Accessories

Sliding Fixing Nuts	Part Number
SFNS5 VKMU M5 SW16	0433500000

Notes: Each enclosure is supplied with a set of sliding nuts + washer+ screws M5, to fix the mounting rail TS 35 or 32 onto the C-Profile

Comments ** Cable entries based on Weidmüller's standard IP68 cable glands
- For specific hazardous area requirements please contact Weidmüller for a copy of the full certificate

Klippon® STB 6

Steel Enclosures for use in Industrial and Hazardous Area Applications



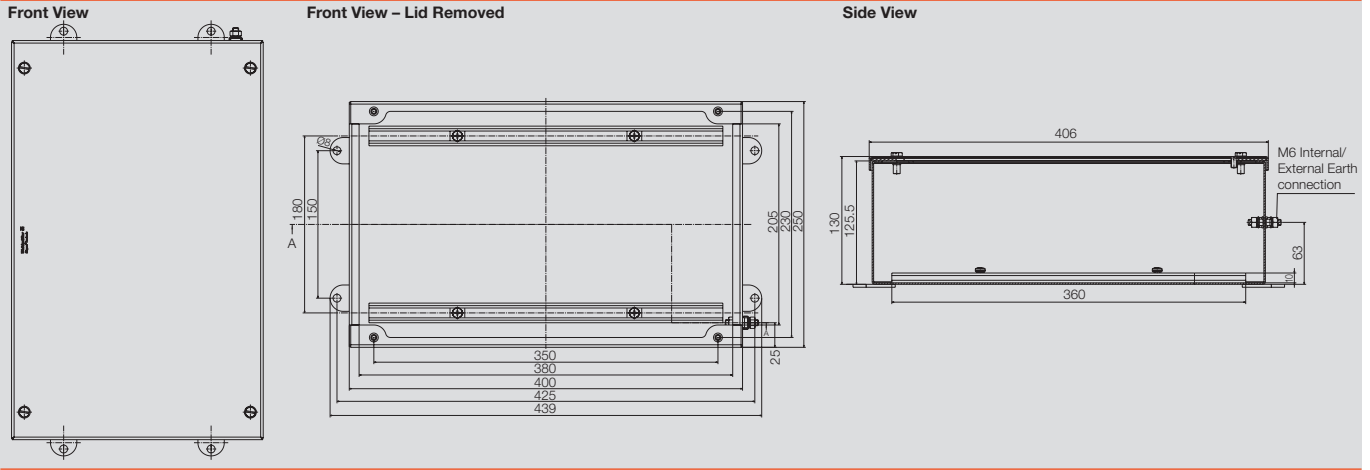
Dimensions

Height x Width x Depth	mm	250 x 400 x 130
Weight	kg	6.90

Technical Data

Enclosure Material: Stainless Steel 1.4404(316L) 1.50mm	Approvals for Empty Enclosure:
Ingress Protection: IP66	ATEX Certification: IBExU 07ATEX1147 U
Earthing: Body-Internal/External M6 Stainless Steel	ATEX Marking: Ⓜ II 2 G Ex e II
Lid - M6 x 12 Stainless Steel	Ⓜ II 2 D Ex tD A21 IP66
Internal Mounting: via C-Profile welded	cULus: E 256877
External Mounting: 4 External lugs with 8 mm holes	Lloyds Register: 08/20032
Lid Opening: Fully detachable lid with 4 x M5 Bolts	Germanischer Lloyd:5935808 HH
Impact Resistance: 7J ATEX	Gost: POCC DE.ME25.B01450
10J industry standard	Approvals for Control and Distribution Box:
Gasket Material: Silicone -50 °C to +120 °C	ATEX Certification: IBExU 07ATEX1148
<i>Gasket compression control in accordance with manufacturers recommendation</i>	ATEX Marking: Ⓜ II 2 GD Ex e II Tx Ex tD A21 IP6x Tx
	Ⓜ II 1 GD Ex ia IIC Tx Ex tD A20 IP6x Tx
	Ⓜ II 2(1) GD Ex e[ia] IIC Tx Ex tD A21 IP6x Tx

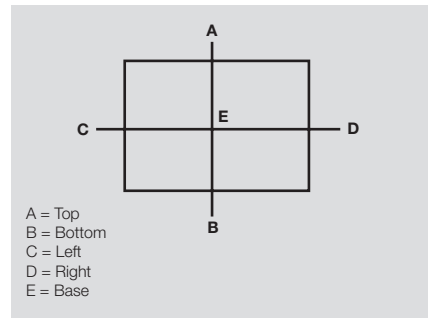
Elevations



Ordering Data Enclosures

Description	Finish	Part Number
KLIPPON STB 6 SS	Polished Sheet	1002760000
KLIPPON STB 6 SS E	Electropolished	1058870000

Number of Cable Entries		A/B	C	D
Max number of cable entries per enclosure side**	M12	64	40	36
	M16	33	24	21
	M20	30	21	18
	M25	16	10	10
	M32	10	8	8
	M40	6	3	3
	M50	4	3	2
	M63	2	2	2



Max Number of Terminals (Industrial)			Vertical			Horizontal		
			W series V	Z series H	SAK series V	W series V	Z series H	SAK series V
WDU 2.5	ZDU 2.5	SAK 2.5	3 x 42	3 x 42	3 x 35	2 x 72	2 x 72	2 x 60
WDU 4	ZDU 4	SAK 4	3 x 35	3 x 35	3 x 33	2 x 60	2 x 60	2 x 56
WDU 6	ZDU 6	SAK 6	3 x 27	3 x 27	3 x 27	2 x 46	2 x 46	2 x 46
WDU 10	ZDU 10	SAK 10	3 x 22	3 x 22	3 x 21	2 x 37	2 x 37	2 x 36
WDU 16N	ZDU 16	SAK 16	3 x 18	3 x 18	3 x 18	2 x 30	2 x 30	2 x 30

Ordering Data Accessories

Sliding Fixing Nuts	Part Number
SFNS5 VKMU M5 SW16	0433500000

Notes: Each enclosure is supplied with a set of sliding nuts + washer+ screws M5, to fix the mounting rail TS 35 or 32 onto the C-Profile

Comments ** Cable entries based on Weidmüller's standard IP68 cable glands
- For specific hazardous area requirements please contact Weidmüller for a copy of the full certificate

Steel enclosures

Klippon® TB

- 12 standard sizes (two depths)
- 316L (1.4404) electropolished stainless steel
- High temperature silicone gasket
- High Ingress Protection (IP66/67)



Klippon® JB

- 10 standard sizes, bottom gland plate (3 depths)
- 316L (1.4404) brushed stainless steel
- For harsh and industrial applications
- Foamed high temperature silicone gasket
- High Ingress Protection – IP66



Klippon® STB

- 8 standard sizes
- 316L (1.4404) stainless steel
- Robust design for heavy duty applications



Aluminium enclosures

Klippon® K

- 19 standard sizes
- High quality aluminium alloy (natural or painted finish)
- High Ingress Protection – IP66



Polyester enclosures

Klippon® POK

- 17 standard sizes
- Durable Glass Reinforced Polyester (GRP)
- Halogen and cadmium free



TBF-Series

- 9 standard sizes
- Durable Glass Reinforced Polyester (GRP)
- Featuring either grey or transparent lid



Polycarbonate enclosures

MPC-Series

- 9 standard sizes
- Universal small polycarbonate enclosures
- Featuring either grey or transparent lid



FPC-Series

- 6 standard sizes
- Large polycarbonate enclosures
- Featuring either grey or transparent lid



Accessories

- Cable glands
- Stopping plugs
- Breather drains



Cable entries



