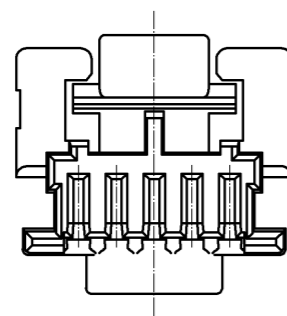
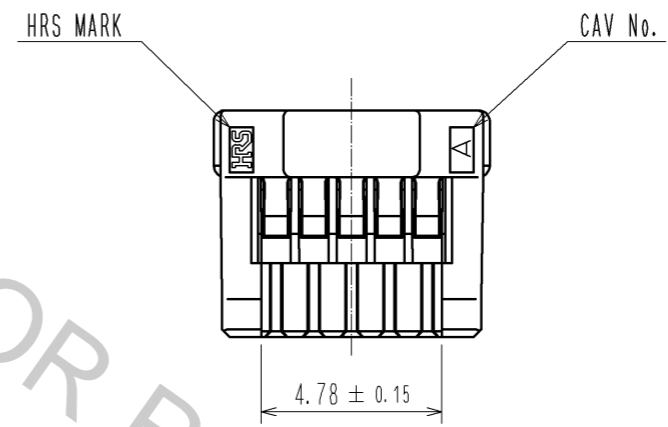
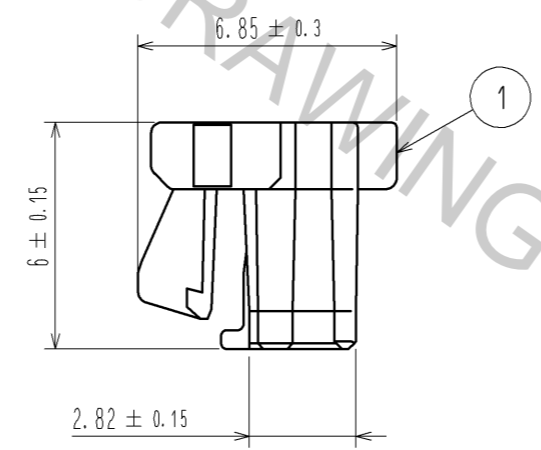
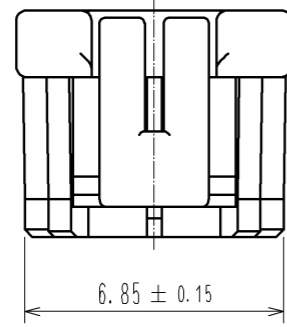
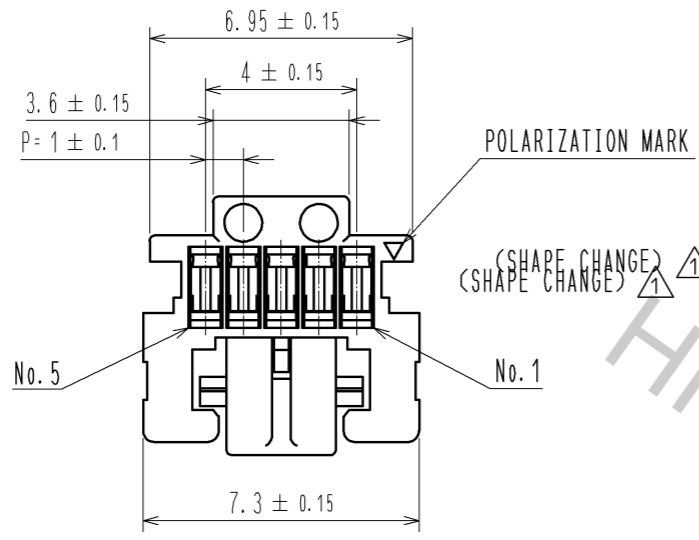


Apr.1.2017 Copyright 2017 HIROSE ELECTRIC CO., LTD. All Rights Reserved.



NOTE1. PER PACK:100 PIECES

HRS DRAWING FOR REFERENCE

NO.		MATERIAL		FINISH . REMARKS		NO.		MATERIAL		FINISH . REMARKS		
		1		PBT				UL94V-0. BLACK				
UNITS		SCALE	COUNT	DESCRIPTION OF REVISIONS		DESIGNED	CHECKED	DATE				
mm		5 : 1	1	DIS-H-005903		KT. ISHII	OM. MIYAMOTO	11.06.16				
HRS HIROSE ELECTRIC CO., LTD.		APPROVED :	KI. AKIYAMA	11.03.18	DRAWING NO.		EDC3-329661-00					
		CHECED :	OM. MIYAMOTO	11.03.18	PART NO.		DF50A-5S-1C					
		DESIGNED :	TT. OHSAKO	11.03.18	CODE NO.		CL665-1009-5-00					
		DRAWN :	TT. OHSAKO	11.03.18								
												1