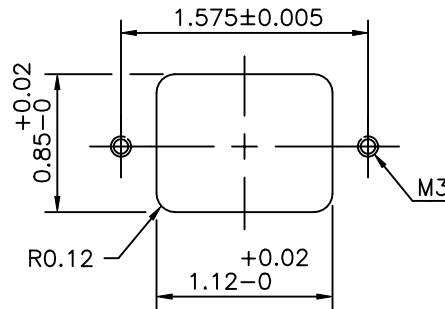
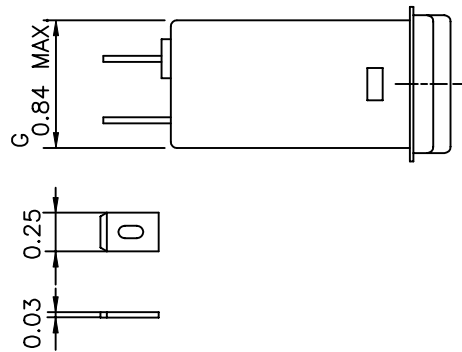
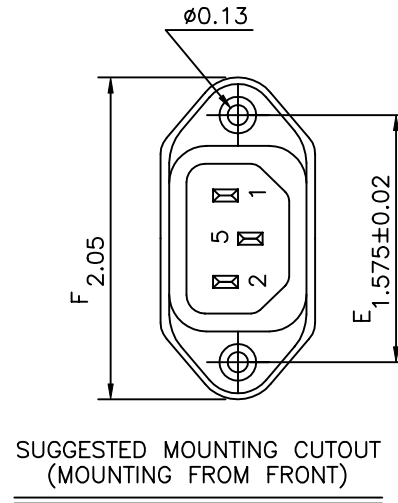
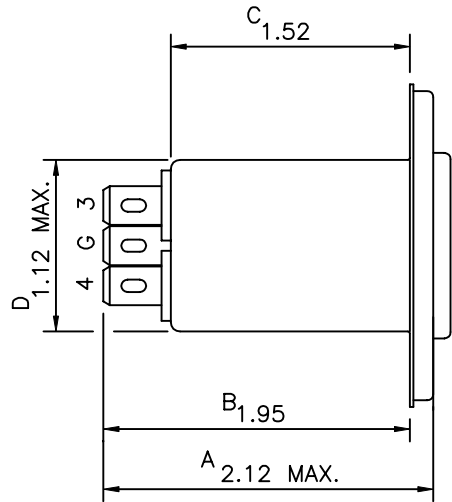
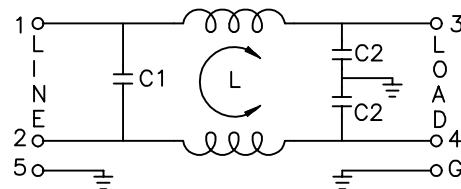


Revision			
Rev.	Description	Date	Approved

PHYSICAL DIMENSIONS:



SCHEMATIC:



L: 1.8mH
C1: 0.033uF
C2: 2200pF

1. ELECTRICAL CHARACTERISTICS:

- 1-1. VOLTAGE RATING 115/250VAC
- 1-2. CURRENT RATING
 - A. AT 115VAC 3 A RMS Max.
 - B. AT 250VAC 3 A RMS Max.
- 1-3. OPERATING FREQUENCY..... 50/60 Hz
- 1-4. LEAKAGE CURRENT: EACH LINE TO GROUND
 - A. @115VAC 60Hz 0.20 mA Max.
 - B. @250VAC 50Hz 0.40 mA Max.
- 1-5. HIPOT RATING (FOR ONE MINUTE)
 - A. LINE TO GROUND 2250VDC
 - B. LINE TO LINE 1450VDC
- 1-6. TEMPERATURE RANGE: -25 TO +85 DEGREE C
- 1-7. MINIMUM INSERTION LOSS IN dB: (AT 50 OHM SYSTEM)

FREQ. MHz	.01	.05	.10	.15	.50	1.0	5.0	10	30
COM. MODE dB	/	10	15	22	30	35	45	45	45
DIF. MODE dB	/	/	0	2	5	14	38	40	40

1-8. SAFETY



Dim range (mm)	Tolerance +/- (mm)	Qualtek Electronics Corp. PPC DIVISION		
		Part Number: 857-03/017		
0-1	0.15	Description: EMI FILTER-GENERAL PURPOSE		
1-6	0.20	UNIT: INCH Rev A		
6-18	0.30	Drawn/Date	Checked/Date	Approved/Date
18-50	0.50			
50-120	0.70	B.ZHANG 01-27-04	BL/01-27-04	JJH/01-27-04
120-250	0.90			
250-500	1.20			