

4

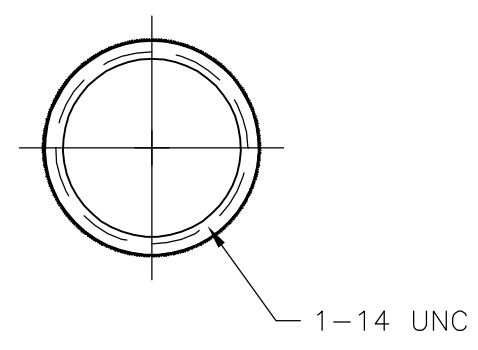
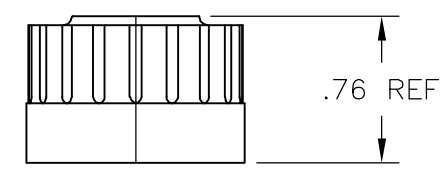
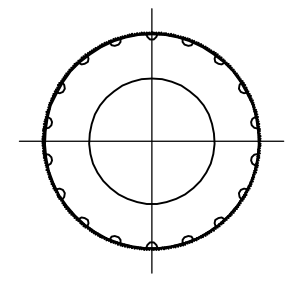
3

2

1

THIS DRAWING IS UNPUBLISHED. RELEASED FOR PUBLICATION  
 © COPYRIGHT - BY TYCO ELECTRONICS CORPORATION. ALL RIGHTS RESERVED.

LOC	DIST	REVISIONS			
P	LTR	DESCRIPTION	DATE	DWN	APVD
FT	0	B	REVISED PER ECO-06-16025	7/7/06	SS DC



	1-1546407-1
SUPERSEDED	1546407-1
	PART NO.

THIS DRAWING IS A CONTROLLED DOCUMENT.		DWN S SCHLEGEL 7/22/03	Tyco Electronics Corporation Harrisburg, PA 17105-3608	
DIMENSIONS: INCHES 		CHK H WAKEEM 7/22/03		
TOLERANCES UNLESS OTHERWISE SPECIFIED: 0 PLC ± - 1 PLC ± - 2 PLC ± .02 3 PLC ± .005 4 PLC ± - ANGLES ± 2'		APVD H WAKEEM 7/22/03	NAME IP65 RATED CLOSURE CAP FOR RECEPTACLE, INDUSTRIAL ETHERNET	
MATERIAL -		PRODUCT SPEC -	RESTRICTED TO -	
FINISH -		APPLICATION SPEC -	SIZE A3	CAGE CODE 00779
		WEIGHT -	DRAWING NO C-1546407	
CUSTOMER DRAWING			SCALE NTS	SHEET 1 OF 1
			REV B	