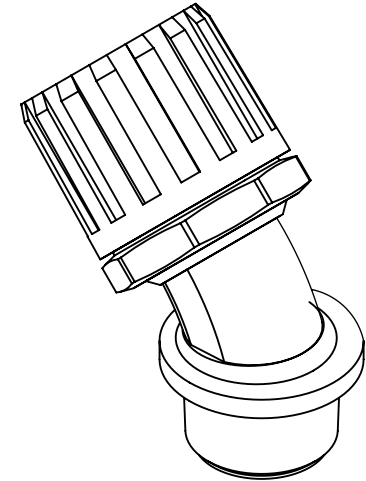
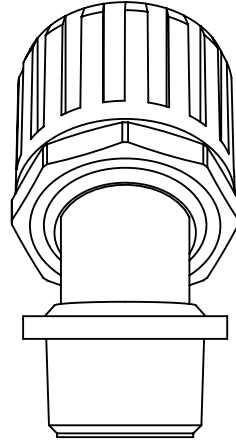
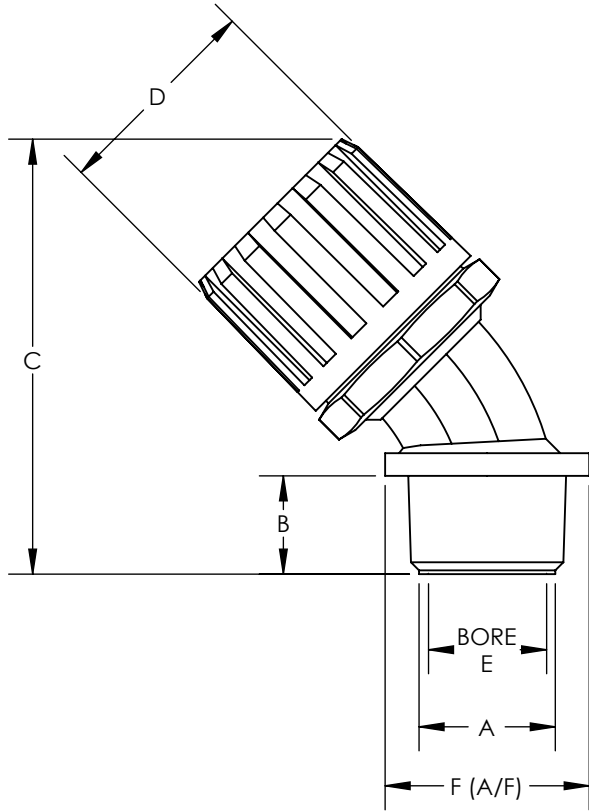


SW2015



Revision level			Revision Record	Changed	Date	Approved	Date
Drawing	State	Part					
00.0	Design Release		SEE ECN# 013811	CTF	04/18/2017	JG	04/18/2017



Conduit Size	HellermannTyton Part Number	Manufacturer Reference Number	Thread	Dimensions											
				A		B		C		D		E		F (A/F)	
in.	mm		NPT or M	in.	mm	in.	mm	in.	mm	in.	mm	in.	mm	in.	mm
3/8"	HGU038-45-0500	FPAU16-050-45B	1/2 NPT	0.51	13.0	1.77	45.0	1.14	29.0	0.59	15.0	1.06	27.0		
1/2"	HGU050-45-0500	FPAU21-050-45B	1/2 NPT	0.51	13.0	1.89	48.0	1.26	32.0	0.59	15.0	1.06	27.0		
3/4"	HGU075-45-0750	FPAU28-075-45B	3/4 NPT	0.59	15.0	2.28	58.0	1.73	44.0	0.75	19.0	1.26	32.0		
1"	HGU100-45-1000	FPAU34-100-45B	1 NPT	0.63	16.0	2.56	65.0	2.01	51.0	0.98	25.0	1.57	40.0		
1-1/4"	HGU125-45-1500	FPAU42-150-45B	1-1/2 NPT	0.63	16.0	3.23	82.0	2.48	63.0	1.54	39.0	2.36	60.0		
1-1/2"	HGU150-45-1500	FPAU54-150-45B	1-1/2 NPT	0.63	16.0	3.58	91.0	2.99	76.0	1.64	39.0	2.36	60.0		
3/8"	HGU16-45-M20B	FPAU16-M20-45B	M20x1.5	0.51	13.0	1.77	45.0	1.14	29.0	0.55	14.0	1.06	27.0		
1/2"	HGU21-45-M20B	FPAU21-M20-45B	M20x1.5	0.51	13.0	1.89	48.0	1.26	32.0	0.55	14.0	1.06	27.0		
3/4"	HGU28-45-M25B	FPAU28-M25-45B	M25x1.5	0.59	15.0	2.28	58.0	1.73	44.0	0.75	19.0	1.26	32.0		
1"	HGU34-45-M32B	FPAU34-M32-45B	M32x1.5	0.63	16.0	2.56	65.0	2.01	51.0	0.96	24.5	1.57	40.0		
1-1/4"	HGU42-45-M50B	FPAU42-M50-45B	M50x1.5	0.63	16.0	3.23	82.0	2.48	63.0	1.54	39.0	2.36	60.0		
1-1/2"	HGU54-45-M50B	FPAU54-M50-45B	M50x1.5	0.63	16.0	3.58	91.0	2.99	76.0	1.54	39.0	2.36	60.0		

Material  
PA66

Units: inches  
Dimension without tolerances details to:  
.xxxx = ±.0005  
.xxx = ±.005  
.xx = ±.01  
.x = ±.03  
None = ±.06  
∠ = ±0.5°  
Dimension Formatted in[mm]

The copyright of this drawing is reserved by HellermannTyton. It is issued on condition that it is not reproduced, copied, or disclosed to a third party, either wholly or in part, without the consent of HellermannTyton.

Drawn CTF 04/18/2017  
Approved JG 04/18/2017

**HellermannTyton**  
North America  
Email: corp@htamericas.com  
Web: www.hellermann.tyton.com

Article/Type-No HGU-45 SERIES  
Title HELAGUARD ULTRA 45 DEGREE NYLON ELBOW FITTING, NPT OR METRIC THREAD, IP68  
Drawing-No PRODUCTION : Phase  
**17-0796-001-CSU**

Scale 1:1  
Project Number PRP 17-0796  
Format AH  
Sheet 1/1