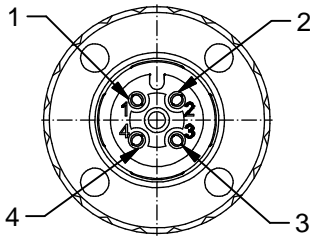
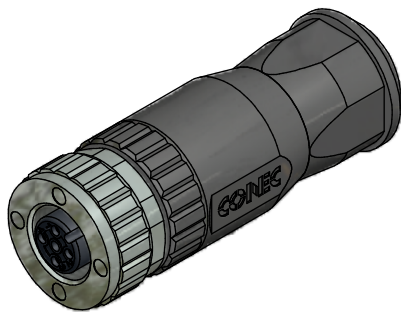
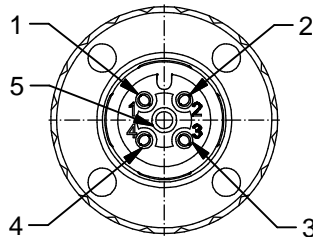


4pos



5pos



Technical specification:

Rated voltage: IEC 61076-2-101	4pos 250 V	5pos 60 V
Current rating: IEC 61076-2-101	4 A at 40°C	
Insulation resistance: IEC 60512	≥100 MΩ	
Pollution degree: IEC 60664-1	3/2	
Degree of protection: IEC 60529	IP 67, in mated condition	
Temperature range: IEC 60664-1	-30°C ... +85°C	
Mating cycles: IEC 60512-9a	≥100	
Wire cross section:	AWG20 / max. 0,5 mm²	

Materials:

Contact:	CuZn
Contact plating:	Nickel, gold plated
Contact carrier:	PA6, UL 94
Clamp contact:	Stainless steel
Cable sealing:	Elastomere
O-Ring:	FPM
Coupling nut:	GD-Zn, nickel plated
Housing:	PA6 GF, UL 94

Installation specification:

Recommended torque:	0,6 Nm
Conec installation tooling:	Torque wrench: 36-000200 Insert across flats 18: 36-000240

Part no:	Description:	Pos:	Cable-Ø:
43-00002	SAL - 12 - RKC4 - K	4	4 - 8 mm
43-00004	SAL - 12 - RKC5 - K	5	

title:	Female connector M12x1, field attachable, axial, with clamp connection
dwg no:	43K2A026
part no:	see table

DO NOT ALTER CAD DRAWING BY HAND Directive 2002/95/EC RoHS compliant	Index: b 15.09.11 VF Ä4104 Coding on housing removed, coupling nut modified, spanner flats added, data sheet modified, article with screw connection removed	dim. in mm									
		<table border="1"> <thead> <tr> <th></th> <th>date</th> <th>name</th> </tr> </thead> <tbody> <tr> <td>drawn</td> <td>28.02.07</td> <td>Fromm</td> </tr> <tr> <td>appd.</td> <td>09.03.07</td> <td>Schmidt</td> </tr> </tbody> </table>		date	name	drawn	28.02.07	Fromm	appd.	09.03.07	Schmidt
		date	name								
	drawn	28.02.07	Fromm								
appd.	09.03.07	Schmidt									
general tolerance:	<table border="0"> <tr> <td>0</td> <td>± 0,50mm</td> </tr> <tr> <td>0,0</td> <td>± 0,25mm</td> </tr> <tr> <td>0,00</td> <td>± 0,10mm</td> </tr> </table>	0	± 0,50mm	0,0	± 0,25mm	0,00	± 0,10mm				
0	± 0,50mm										
0,0	± 0,25mm										
0,00	± 0,10mm										
<small>THIS DRAWING MAY NOT BE COPIED OR REPRODUCED IN ANY WAY, AND MAY NOT BE PASSED ON TO A THIRD PARTY WITHOUT WRITTEN PERMISSION. OWNERSHIP AND COPYRIGHT OF CONEC GmbH</small>											