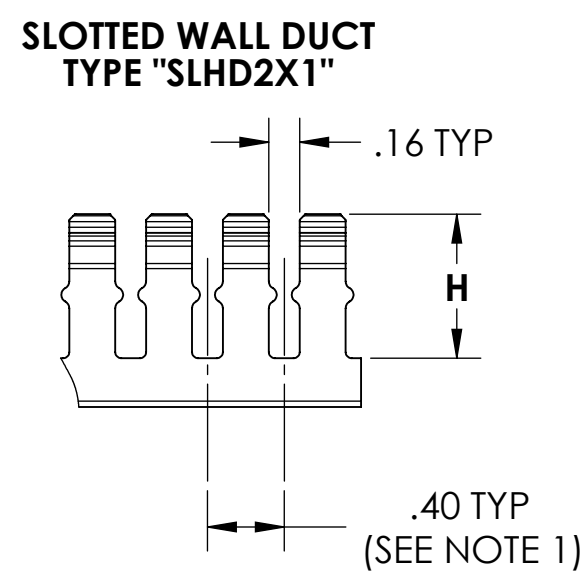
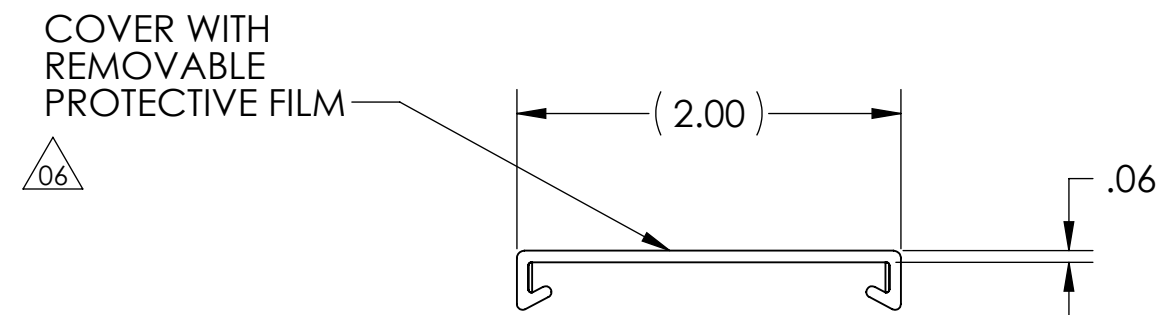
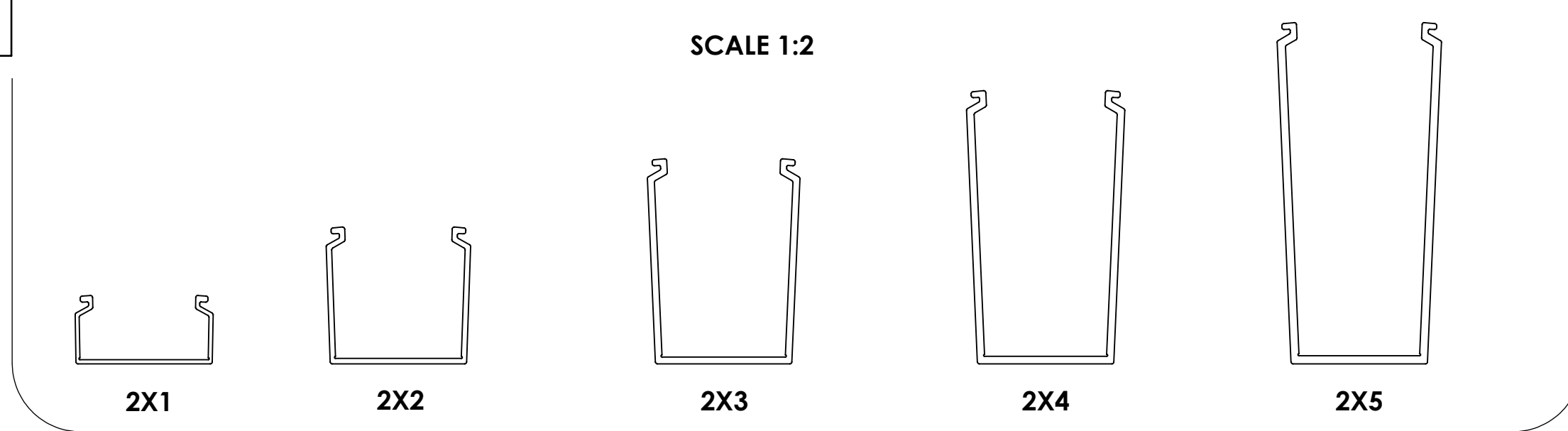
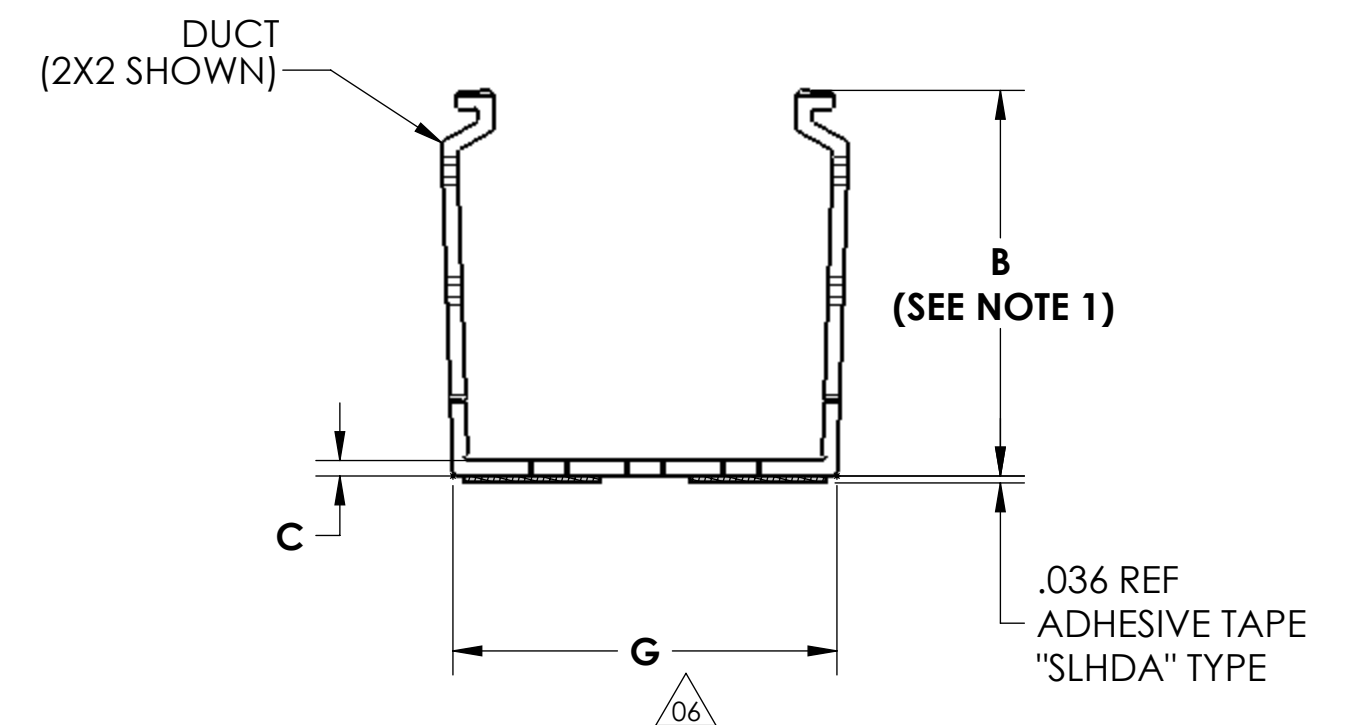
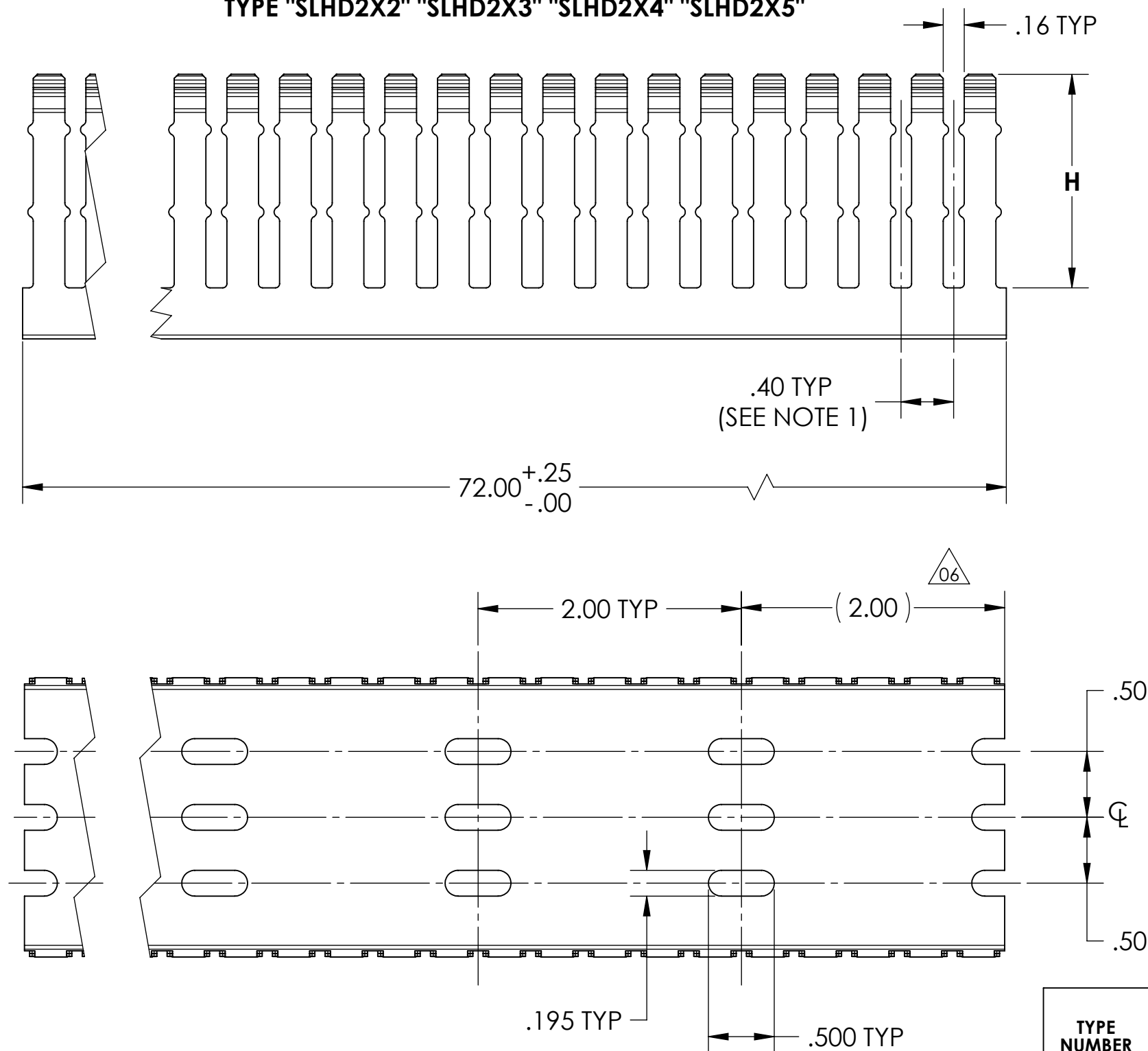


SCALE 1:2

Revision level		Revision Record	Changed	Date	Approved	Date
Drawing	Part					
06	-	SEE ECN# 100016	MHT	01/06/2012	MHT	02/06/2012



**SLOTTED WALL DUCT**  
TYPE "SLHD2X2" "SLHD2X3" "SLHD2X4" "SLHD2X5"



50% WIRE FILL CAPACITY													
DUCT SIZE (WxH)	DUCT AREA (Sq. In.)	WIRE O.D.											
		12AWG					14AWG				16AWG		
		12AWG	14AWG	16AWG	18AWG	22AWG	TWISTED PAIR 24 AWG UNSHIELDED						
		.158	.165	.139	.125	.113	.065	.217	.240	.354			
2X1	1.678	43	39	55	68	84	253	23	19	9			
2X2	3.438	88	80	113	140	171	518	47	38	17			
2X3	5.122	131	120	169	209	255	772	69	57	26			
2X4	6.829	174	160	225	278	341	1030	92	76	35			
2X5	8.488	217	199	280	346	423	1280	115	94	43			

TYPE NUMBER	DESCRIPTION	MOUNTING METHOD	B (SEE NOTE 1)	C	G	H
TC2	COVER	-	-	-	-	-
SLHD2X1	HD SLOTTED DUCT	SCREW	1.004 +.020/-0.015	.060 ± .005	2.000 +/- .025	.750 ± .010
SLHD2X2	"	"	2.008 +.025/-0.020	.080 ± .005	2.000 +/- .025	1.620 ± .015
SLHD2X3	"	"	3.009 +.035/-0.020	.100 ± .007	2.000 +/- .029	2.600 ± .015
SLHD2X4	"	"	4.008 +.045/-0.020	.110 +.008/-0.010	2.000 +/- .031	3.600 ± .015
SLHD2X5	"	"	5.007 +.055/-0.020	.120 +.009/-0.015	2.000 +/- .033	4.600 ± .015
SLHDA2X1	HD SLOTTED DUCT W/ADHES.	ADHESIVE TAPE	1.004 +.020/-0.015	.060 ± .005	2.000 +/- .025	.750 ± .010
SLHDA2X2	"	"	2.008 +.025/-0.020	.080 ± .005	2.000 +/- .025	1.620 ± .015
SLHDA2X3	"	"	3.009 +.035/-0.020	.100 ± .007	2.000 +/- .029	2.600 ± .015
SLHDA2X4	"	"	4.008 +.045/-0.020	.110 +.008/-0.010	2.000 +/- .031	3.600 ± .015
SLHDA2X5	"	"	5.007 +.055/-0.020	.120 +.009/-0.015	2.000 +/- .033	4.600 ± .015

Notes  
1) BOTH SIDES ALIKE WITHIN .015



Material

PVC AVAILABLE IN WHITE, GRAY, BLACK, OR BLUE CONSULT FACTORY FOR OTHER COLORS RoHS COMPLIANT

Units

inches  
Dimension without tolerances details to:  
.xxxx = ±.0005  
.xxx = ±.005  
.xx = ±.01  
.x = ±.03  
None = ±.06  
∠ = ±0.5°

The copyright of this drawing is reserved by HellermannTyton. It is issued on condition that it is not reproduced, copied, or disclosed to a third party, either wholly or in part, without the consent of HellermannTyton.

Drawn	KAC	06/18/2009	Article/Type-No	SEE CHART	Scale	1:1
Approved			Title	2" WIDE SLHD, SLHDA DUCT WITH COVER	Project Number	PRP07-021
HellermannTyton North America Email: corp@htamericas.com Web: www.hellermann.tyton.com			Drawing-No	DT07-021-203CST	Format	C
			Pre-Production : Phase		Sheet	1/1