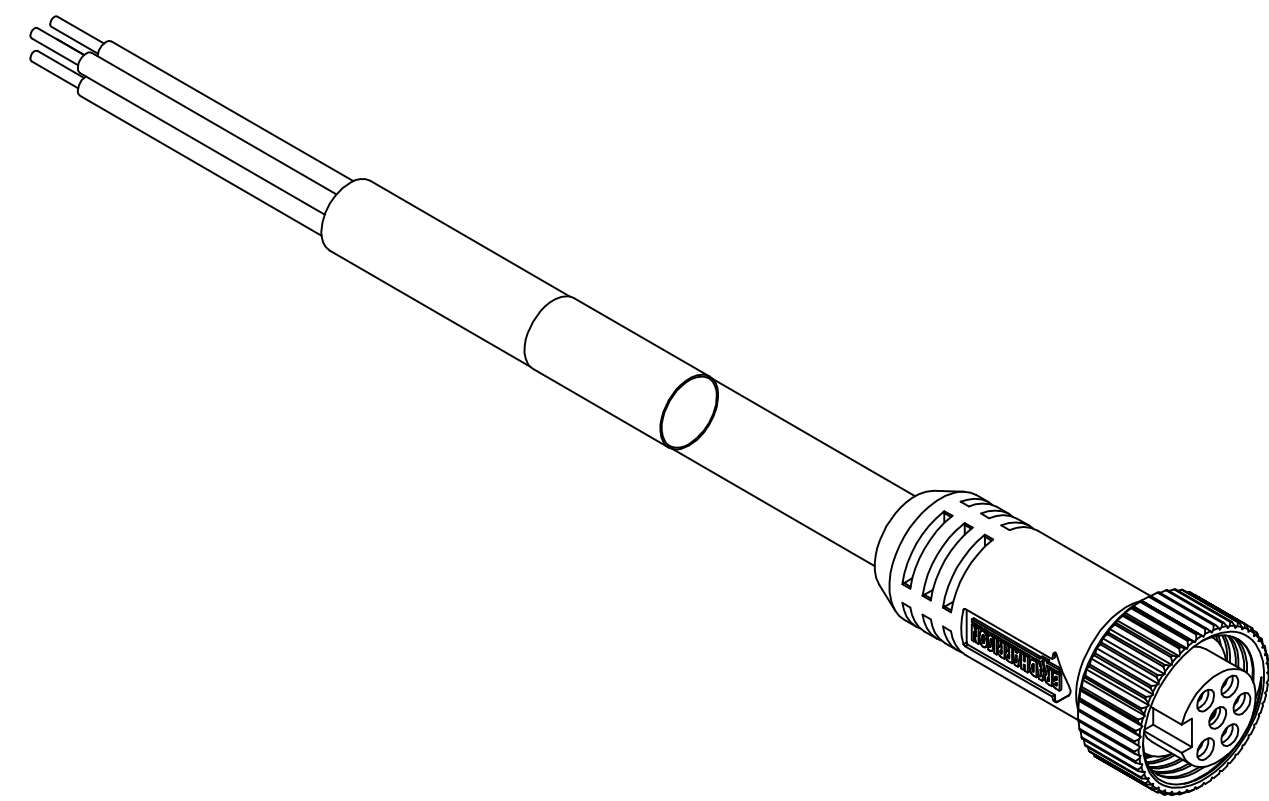
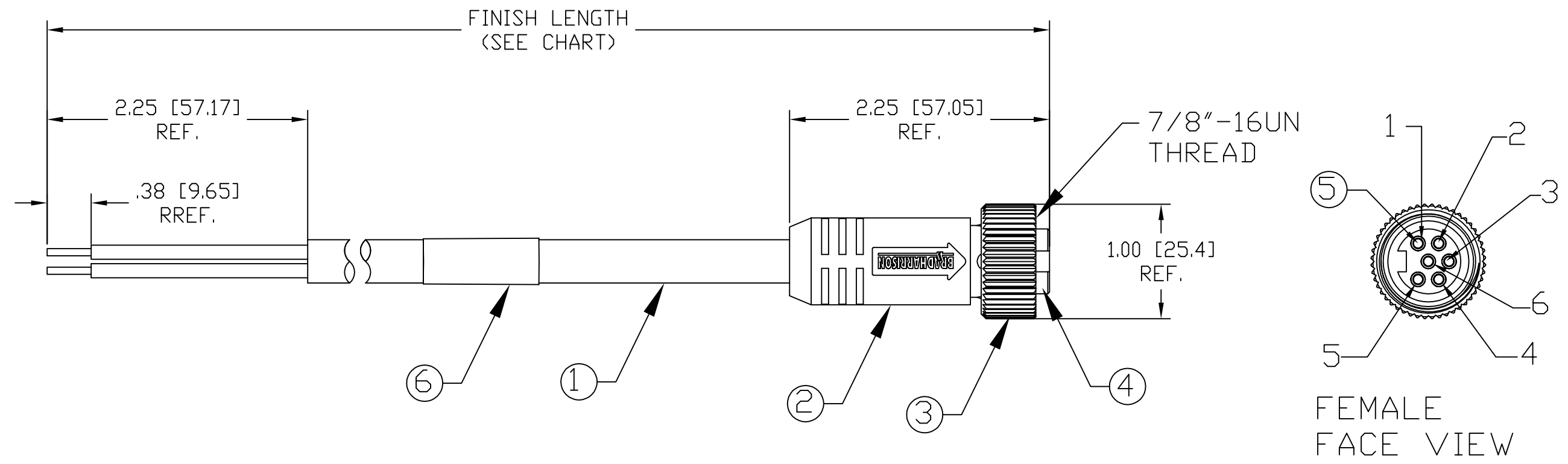


13	12	11	10	9	8	7	6	5	4	3	2	1
PART NUMBER	ENGINEERING NUMBER	FINISH LENGTH										
1300061579	106000A01F030	3.00' +1.75" -0 [.9M +44.5 -0]										
1300061583	106000A01F060	6.00' +3.50" -0 [1.8M +88.9 -0]										
1300061590	106000A01F120	12.00' +6.50" -0 [3.7M +165.1 -0]										
1300061600	106000A01F200	20.00' +6.50" -0 [6.1M +165.1 -0]										



NOTE

- 1) MATERIAL: SEE TABLE
- 2) FINISHES: SEE TABLE
- 3) WRAP LABEL IS MARKED WITH P/N, DATE CODE, VOLTAGE & AMPERAGE
- 4) MATES WITH: MINI CHANGE, 6 POLE RECEPTACLE
- 5) ELECTRICAL DATA:  
 INLINE CORDSET  
 FEMALE A-SIZE WITH FLYING LEADS  
 16AWG UNSHIELDED  
 POLES: 6  
 MAX. VOLTAGE: 600V  
 MAX. CURRENT 8A  
 PROTECTION IP67  
 TEMPERATURE RANGE: -20°C TO 105°C
- 6) PACKAGING:  
 CABLE ASSEMBLIES ARE BAGGED SEPERATELY  
 IN POLY BAGS WITH BAR CODE LABEL ATTACHED  
 TO OUTSIDE OF BAG.
- 7) ASSEMBLY IS RoHS COMPLIANT.
- 8) CERTIFICATION  
 UL RECOGNIZED, FILE NO. E152210  
 CSA CERTIFIED, FILE NO. LR6837



P1

1	WHITE
2	RED
3	GREEN-GRD
4	ORANGE
5	BLACK
6	BLUE

WIRING DIAGRAM

ITEM	QTY.	DESCRIPTION	MATERIAL	FINISH
6	1	LABEL	PLASTIC FILM	BLACK/YELLOW
5	6	CONTACT SOCKET	COPPER ALLOY	GOLD PLATED
4	1	INSERT	PVC	YELLOW
3	1	COUPLING NUT	ZINC DIE CAST	BLACKE-COATED
2	1	OVERMOLD	PVC	YELLOW
1	1	CABLE, 16AWG-6	PVC	YELLOW

REVISE CABLE CODE EC NO: WNA2010-0198 DRWN: TWOLDEGE 9/17/09 CH'KD: LHARTMAN 9/30/09 APPR: JFMURPHY 2009/10/26	QUALITY SYMBOL ▽=0 ▽=0	GENERAL TOLERANCES (UNLESS SPECIFIED) <table border="1"> <tr><th></th><th>mm</th><th>INCH</th></tr> <tr><td>4 PLACES</td><td>±----</td><td>±---</td></tr> <tr><td>3 PLACES</td><td>±.005</td><td>±.005</td></tr> <tr><td>2 PLACES</td><td>±.013</td><td>±.010</td></tr> <tr><td>1 PLACE</td><td>±.025</td><td>±.020</td></tr> </table>		mm	INCH	4 PLACES	±----	±---	3 PLACES	±.005	±.005	2 PLACES	±.013	±.010	1 PLACE	±.025	±.020	DIMENSION STYLE IN/MM DRAWN BY DATE <b>TWOLDEGE 2009/07/17</b> CHECKED BY DATE <b>BWOODMAN 2009/07/17</b> APPROVED BY DATE <b>JFMURPHY 2009/10/23</b>	SCALE 1:1 DESIGN UNITS INCH THIRD ANGLE PROJECTION	TITLE <b>MINI CHANGE ASSEMBLY          6-POLE FEMALE ST          16/6AWG PVC</b>
		mm	INCH																	
	4 PLACES	±----	±---																	
	3 PLACES	±.005	±.005																	
2 PLACES	±.013	±.010																		
1 PLACE	±.025	±.020																		
DRAFT WHERE APPLICABLE MUST REMAIN WITHIN DIMENSIONS	MATERIAL NO. <b>SEE CHART</b>	DOCUMENT NO. <b>SD-130006-011</b>	SHEET NO. <b>1 OF 1</b>																	
SIZE <b>C</b>	THIS DRAWING CONTAINS INFORMATION THAT IS PROPRIETARY TO MOLEX INCORPORATED AND SHOULD NOT BE USED WITHOUT WRITTEN PERMISSION																			