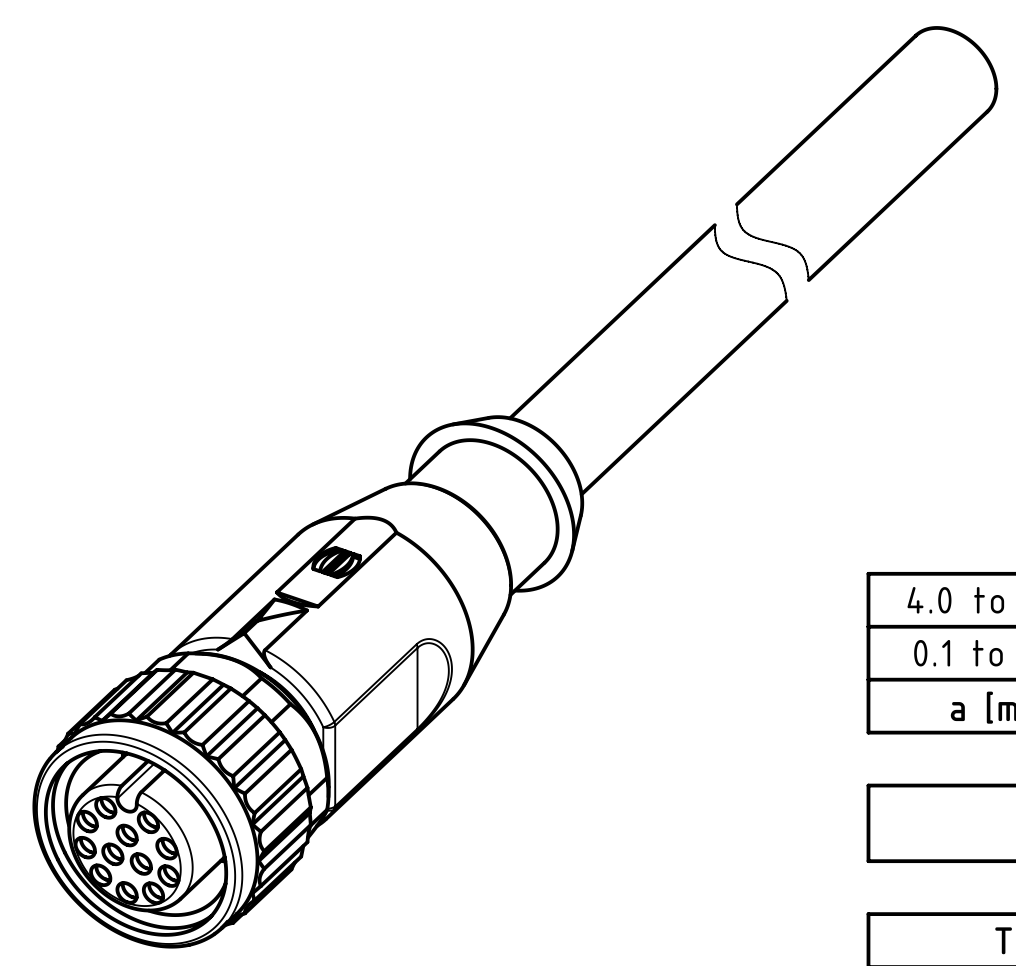


- Loading-Plan:**
- 1 brown
 - 2 blue
 - 3 white
 - 4 green
 - 5 pink
 - 6 yellow
 - 7 black
 - 8 grey
 - 9 red
 - 10 violet
 - 11 grey-pink
 - 12 red-blue



length in "1m" step	100	XXX=000
	99	XXX=990
	.	.
	12	XXX=120
length in "0.1m" step	11	XXX=110
	10	XXX=100
	9.9	XXX=099
	9.8	XXX=098
	.	.
	0.4	XXX=004
	0.3	XXX=003
	0.2	XXX=002
	0.1	XXX=001
Step	a [m]	XXX

4.0 to 100	+1%
0.1 to 3.9	+0.04
a [m]	Tolerance

Part no.	21348500CXXX
----------	--------------

Type of cable	XX
PVC grey, 12x0.14mm ²	XX=79
PUR black, 12x0.14mm ²	XX=78

- Protection level: IP67
 - Temperature range: -30°C ... +80°C

	All rights reserved	Created by	Inspected by	Standardisation	Date	State	
	Department EC PD - RO	TAMAS	AVRAM	KOHLER	2014-07-18	Final Release	
HARTING Electronics GmbH		Title M12 A-coded Cable Assembly				Doc-Key / ECM-Nr.	
D-32339 Espelkamp		Type	Number	Rev.		Page	
		TB	21348500CXXXXX	A		1/1	