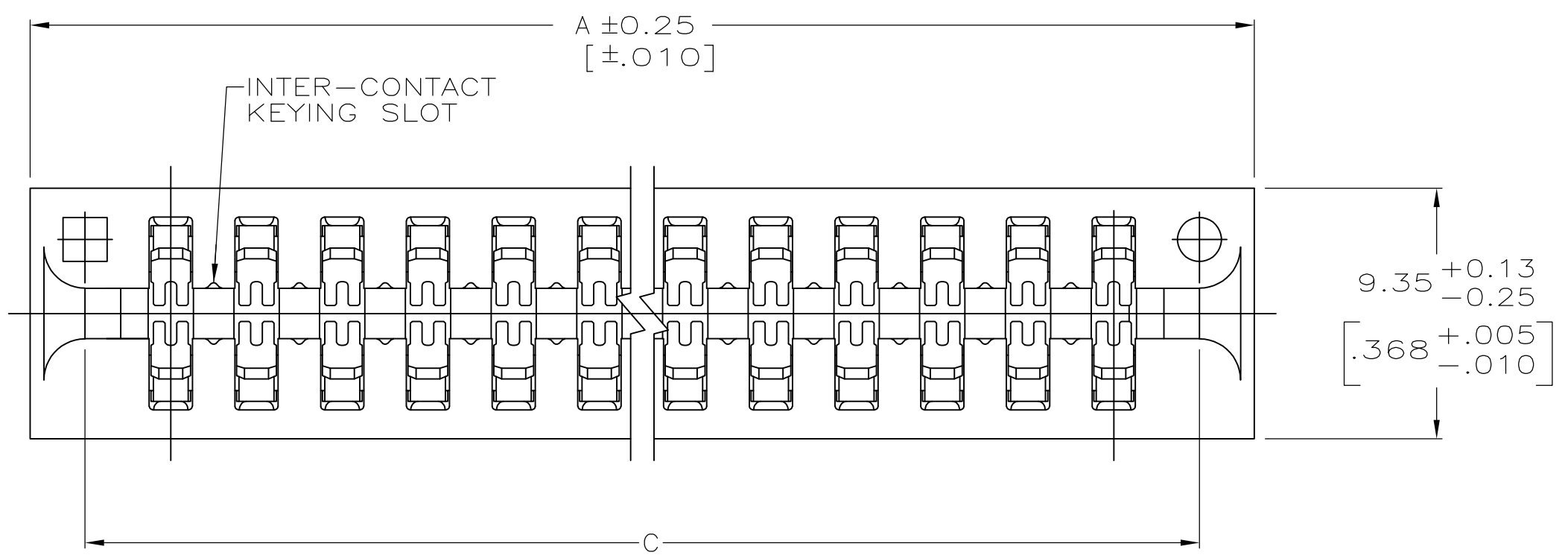
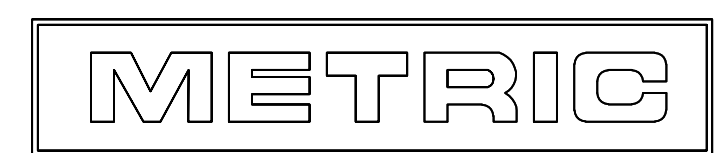
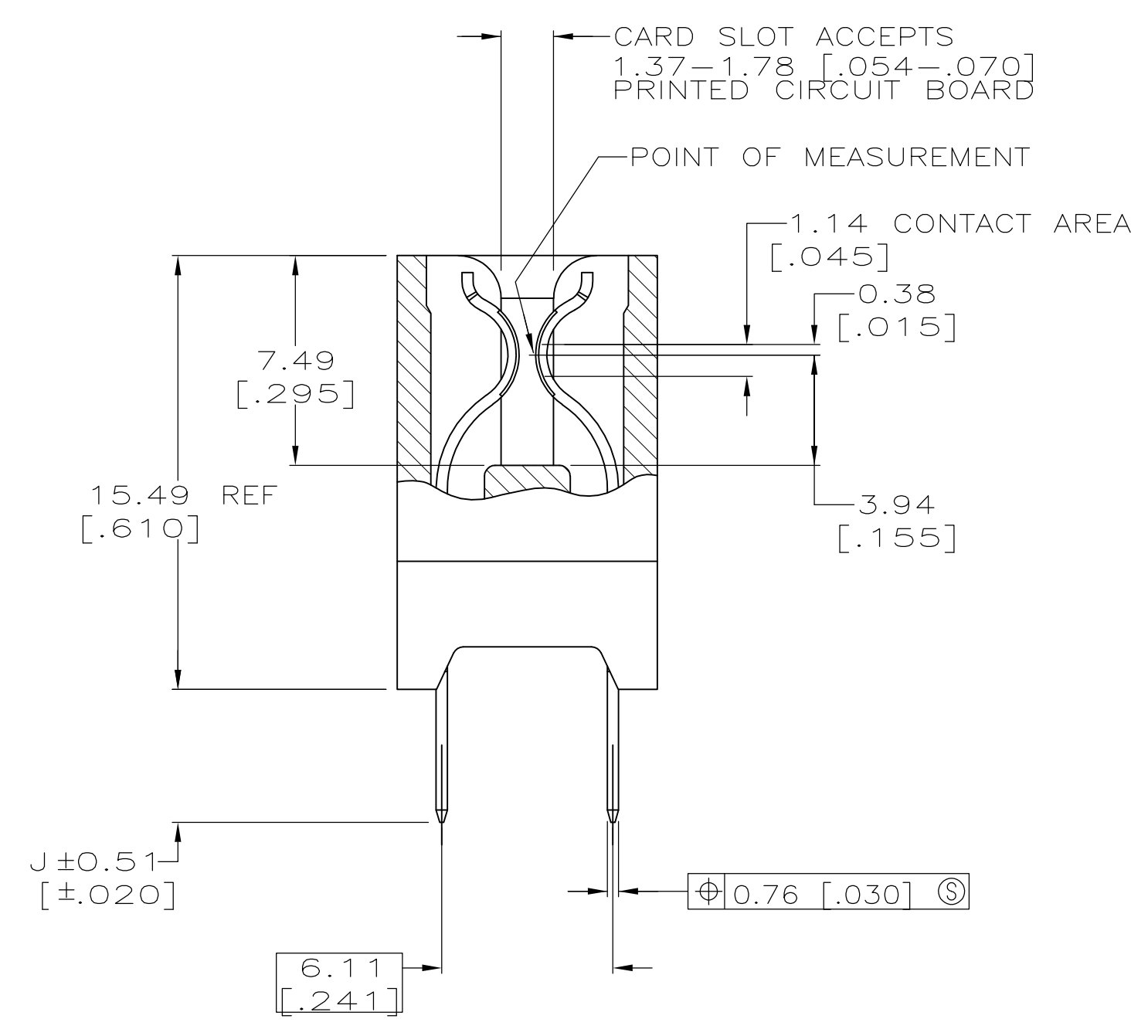
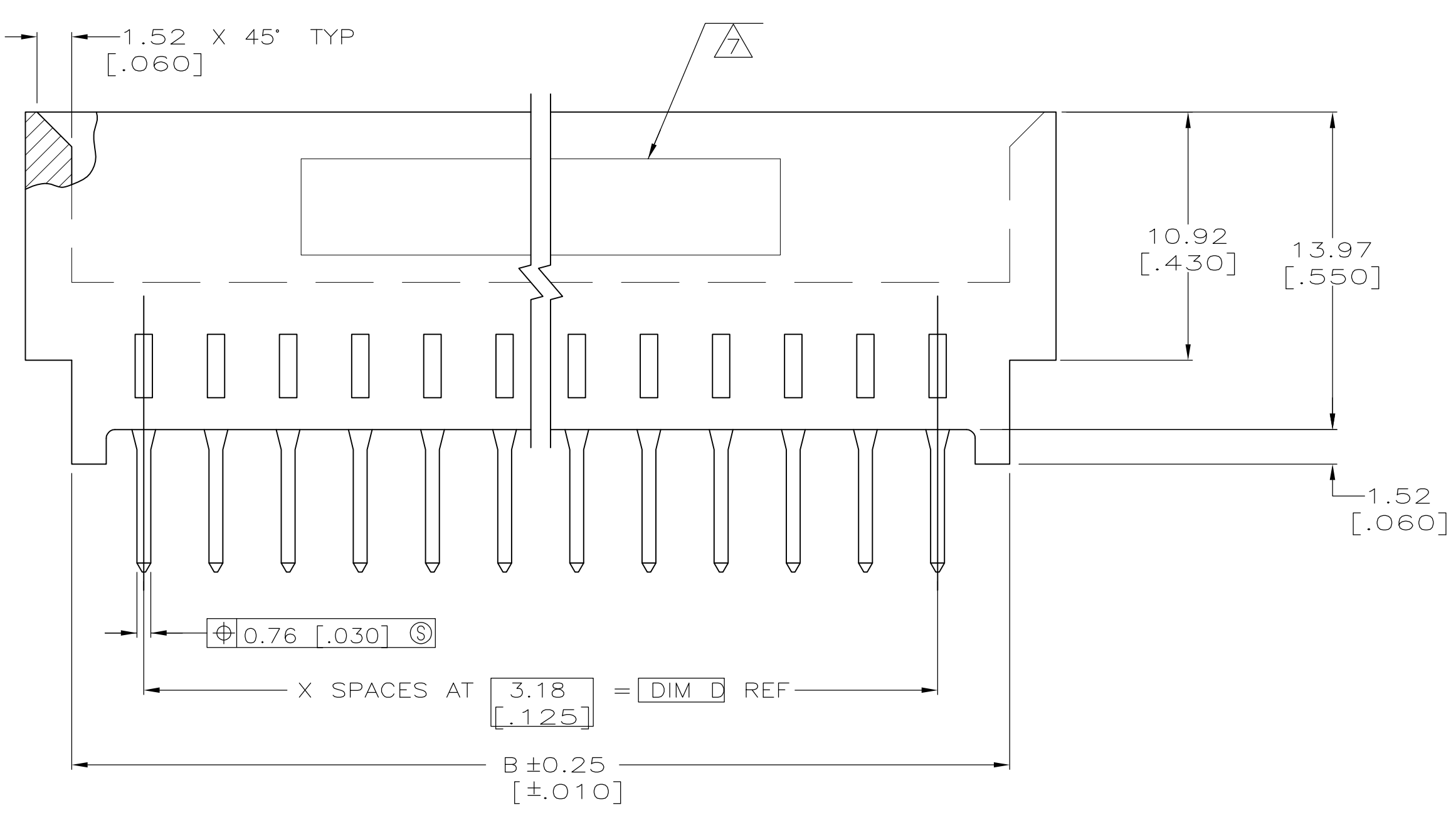


| LOC | | DIST | | REVISIONS | | | |
|-----|----|------|-----|---------------------------|---------|-----|------|
| AD | 14 | P | LTR | DESCRIPTION | DATE | OWN | APVD |
| | | Y2 | | REVISED PER ECO-11-005140 | 26MAR11 | RK | HMR |



- ① HOUSING: GLASS FILLED POLYESTER; COLOR: BLACK.
- ② CONTACT: PHOSPHOR BRONZE.
- ③ NICKEL UNDERPLATE: 0.00127 [.000050] MIN - ALL OVER.
- ④ TIN-LEAD PLATE: 0.00254 [.000100] MIN - SOLDER POSTS.
- ⑤ GOLD PLATE: 0.00076 [.000030] MIN - CONTACT AREA.
- ⑥ NICKEL PLATE PER MIL-G-45204. GOLD PLATE PER QQ-N-290.
- ⑦ PART NUMBER AND DATE CODE ARE MARKED IN APPROXIMATE AREA SHOWN, EITHER SIDE.
- ⑧ RECOMMENDED PCB FINISHED HOLE DIA: 1.02 ± 0.08 [$.040 \pm .003$].
- ⑨ OBSOLETE PARTS: OBSOLETE CIS STREAMLINING PER D.RENAUD/D.SINISI



| | | | | | | | |
|--|--|--|-------------------------------|--------------------------------|--|---------------------------|--|
| THIS DRAWING IS A CONTROLLED DOCUMENT. | | OWN R. SHIREY/UTA 11/5/91 | CHK J. DIORAZIO 8-10-92 | APVD J. DIORAZIO 8-10-92 | | NAME | |
| DIMENSIONS: MM(INCHES) | | TOLERANCES UNLESS OTHERWISE SPECIFIED: | | PRODUCT SPEC 108-9039 | | APPLICATION SPEC | |
| 0 PLC ± - | | 1 PLC ± - | | 2 PLC ± - | | 3 PLC ± 0.13 [.005] | |
| 4 PLC ± - | | ANGLES ± - | | WEIGHT | | SIZE CAGE CODE DRAWING NO | |
| MATERIAL HOUSING: ① | | FINISH CONTACT: ③ ④ ⑤ ⑥ | | CUSTOMER DRAWING | | A1 00779 C=530844 | |
| SCALE 5:1 | | SHEET 1 OF 2 | | REV Y2 | | RESTRICTED TO | |

