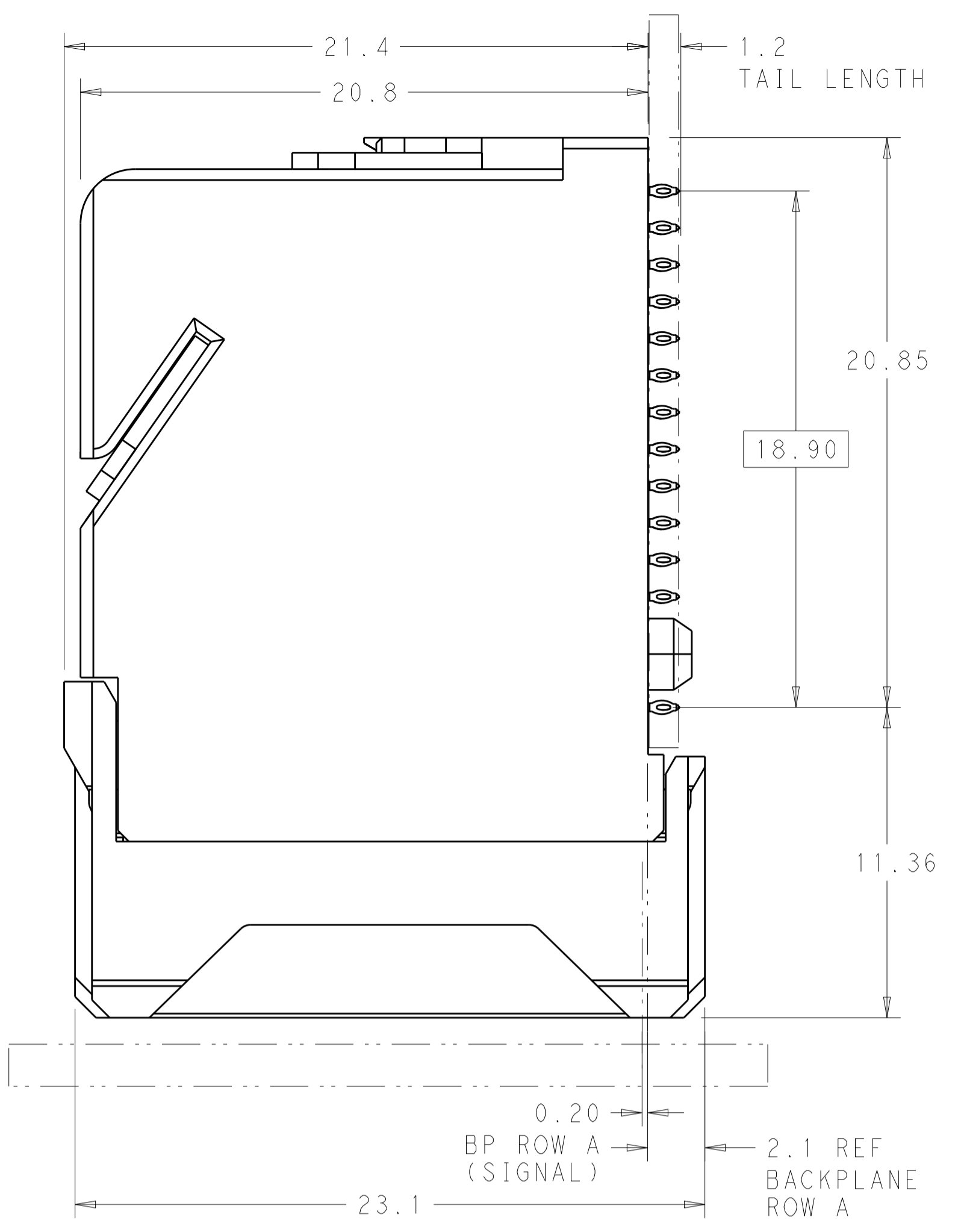
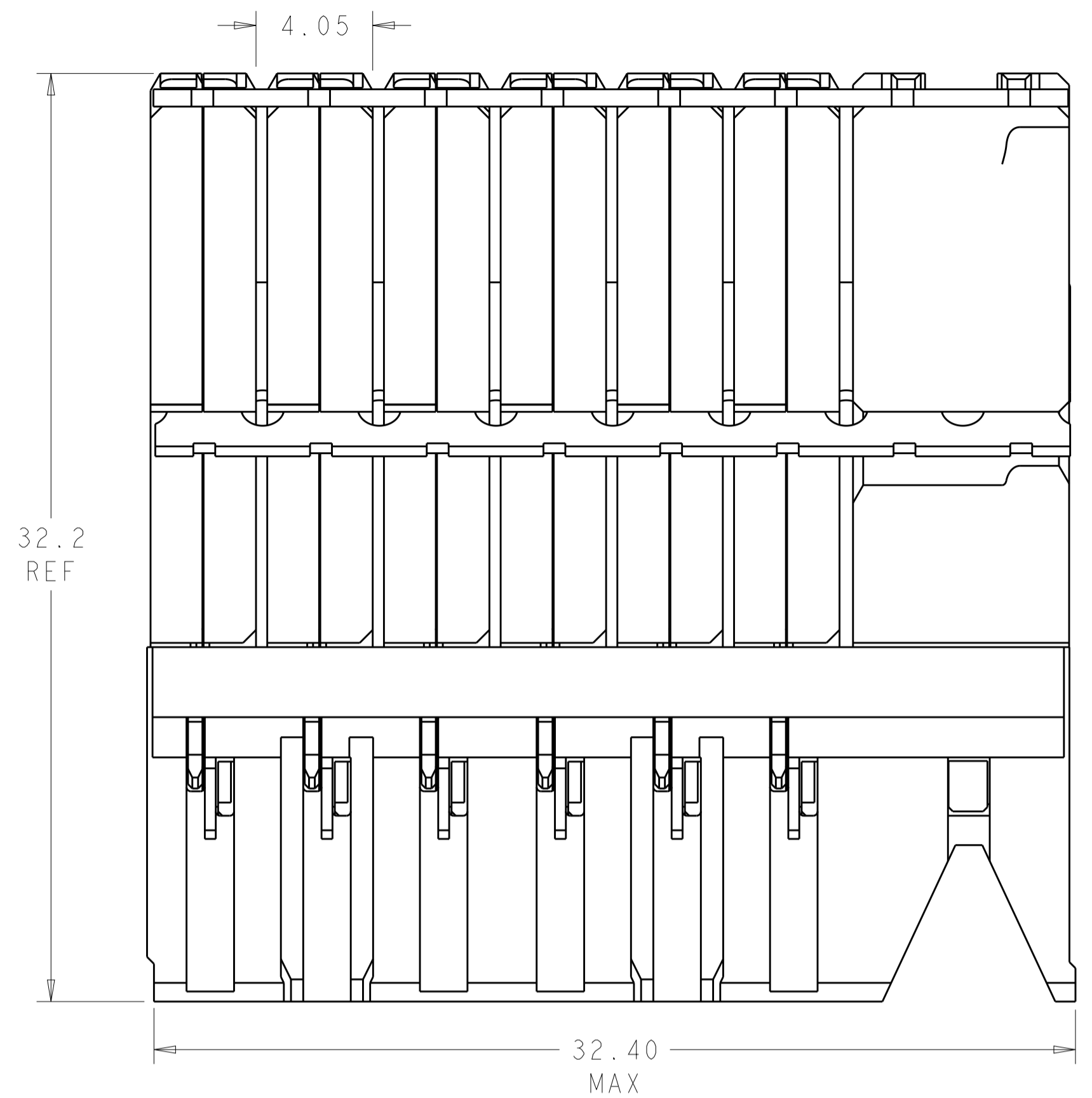


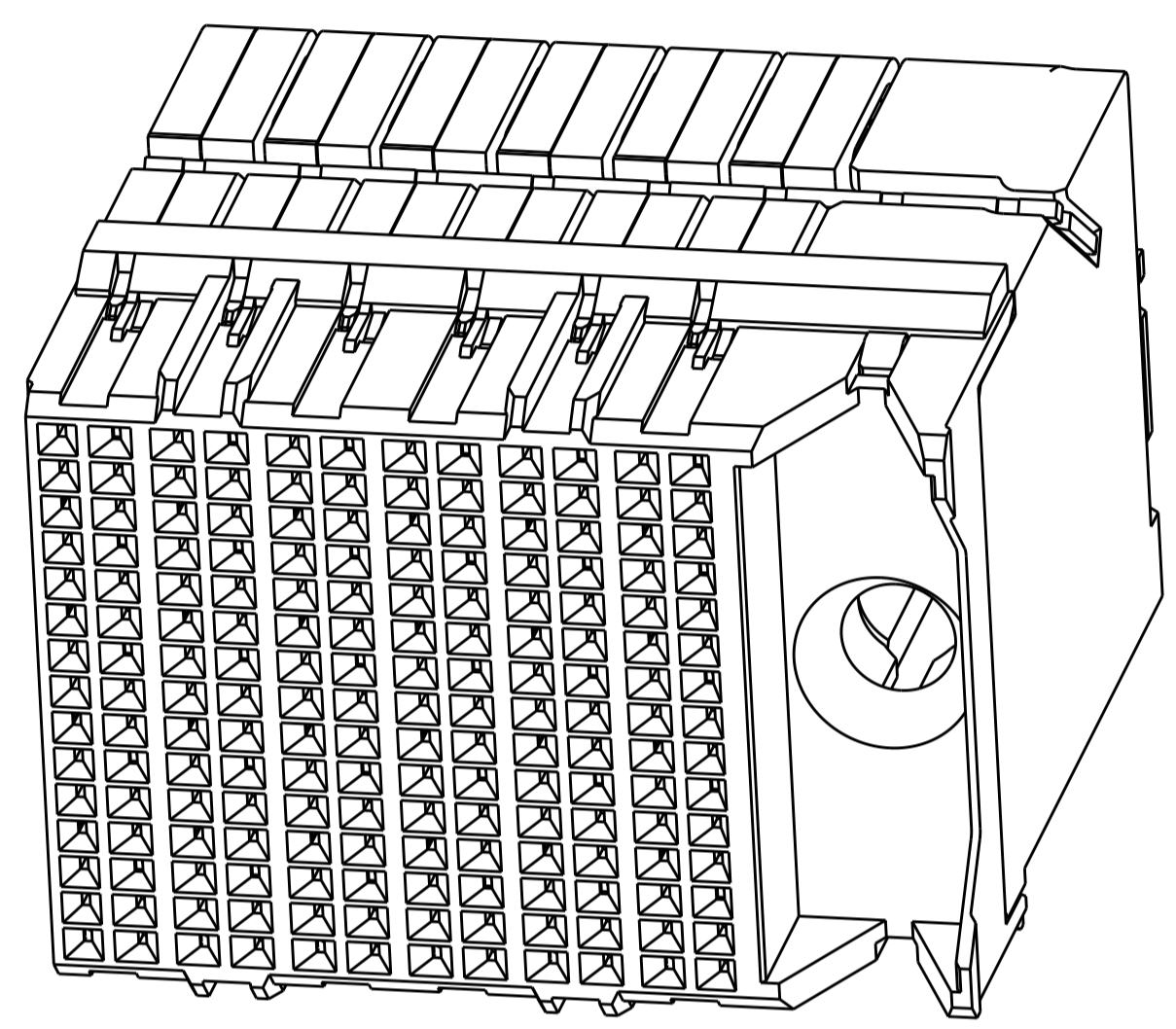
LOC	DIST	REV	DATE	BY	APPV
AD	00				

REVISIONS					
REV	DATE	BY	APPV	DESCRIPTION	DATE
D	10APR2015	AP	DD	REVISED PER ECO-15-004915	

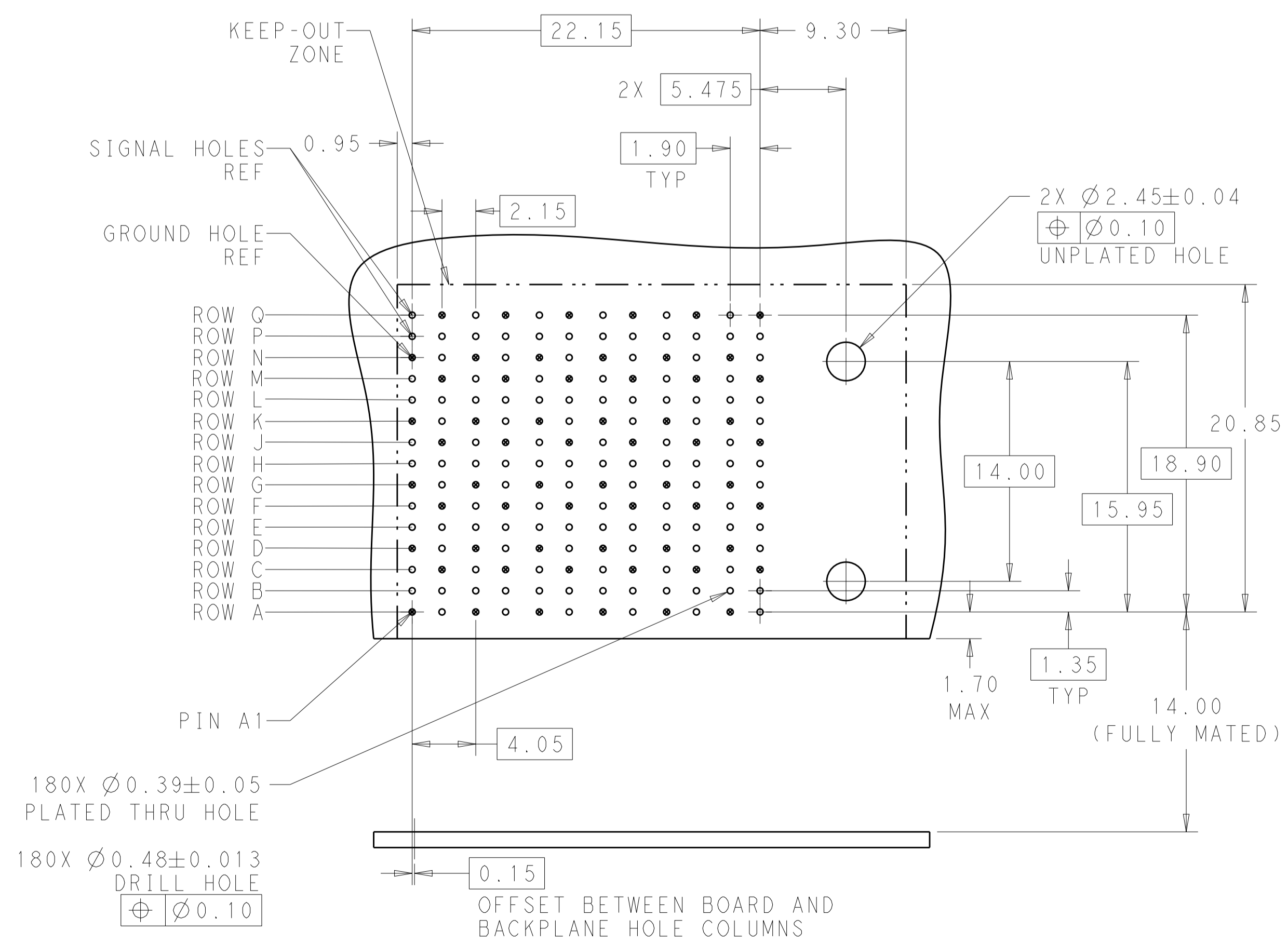
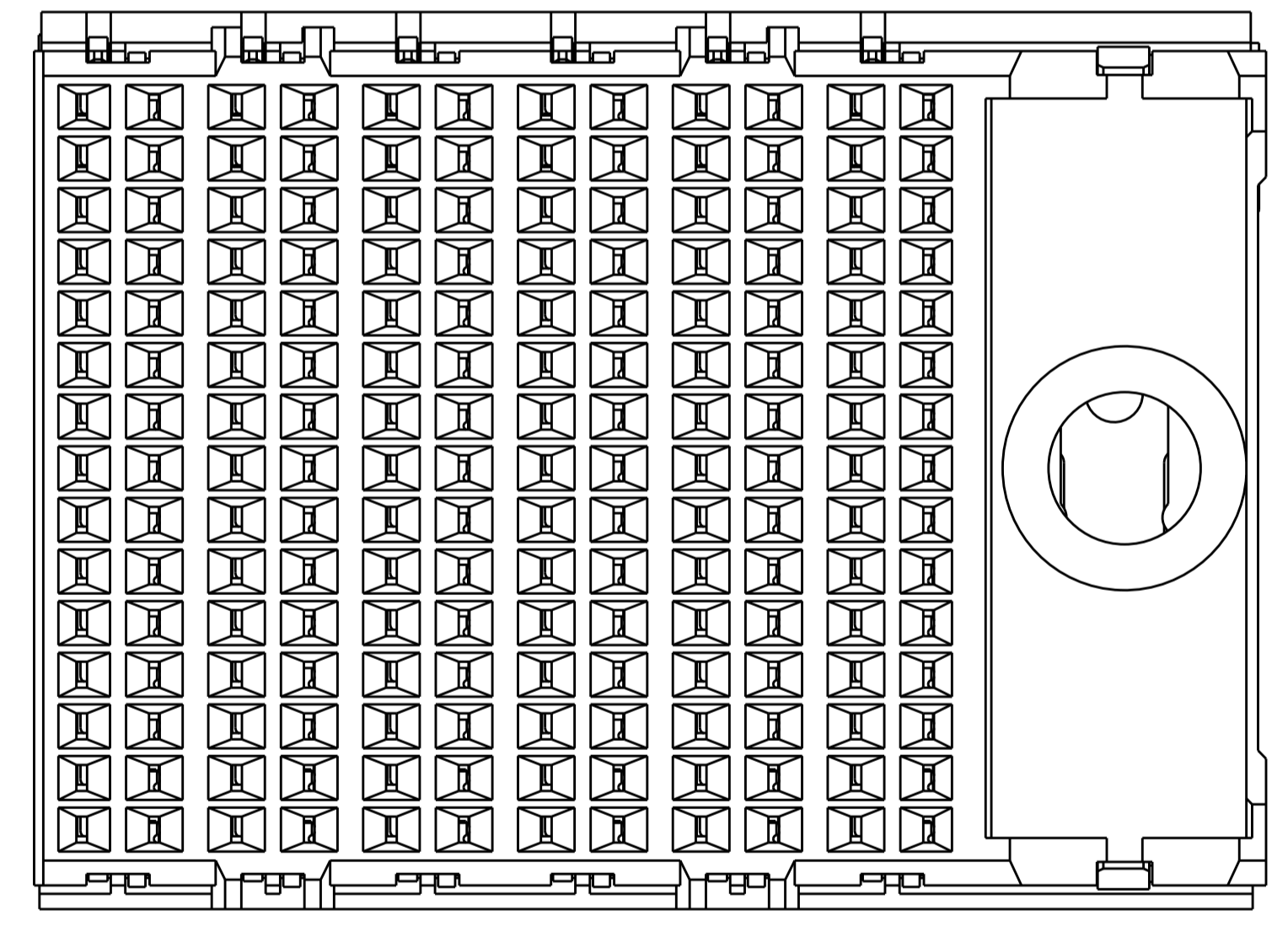


- ⚠ MATERIAL:  
HOUSING: LCP, GLASS FILLED, UL94V-0.  
TERMINALS: HIGH PERFORMANCE COPPER ALLOY.
- ⚠ FINISH:  
30µ" SELECTIVE GOLD IN CONTACT AREA. SELECTIVE TIN ON PCB TAILS, NICKEL OVERALL.
- 3. CONNECTORS SUPPLIED WITH MOUNTING SCREWS.



SCALE 4:1

REFER TO WWW.TE.COM FOR PRODUCT AVAILABILITY



RECOMMENDED PCB LAYOUT  
MIN BOARD THICKNESS 1.0

NONE	⚠	2132697-1
KEY POSITION	FINISH	PART NUMBER

THIS DRAWING IS A CONTROLLED DOCUMENT.		DWN - 29APR2011	TE Connectivity	
DIMENSIONS: mm		CHK D. DIXON 29APR2011		
TOLERANCES UNLESS OTHERWISE SPECIFIED:		APPV D. DIXON 29APR2011		
0 PLC	±	NAME	IMPACT, ORTHOGONAL, 5 PAIR, DAUGHTERCARD, 12 COLUMN, RIGHT GUIDED, SIGNAL MODULE, 0.39 EYELET	
1 PLC	±0.25	PRODUCT SPEC	-	
2 PLC	±0.15	APPLICATION SPEC	-	
3 PLC	±	SIZE	A100779C=2132697	
4 PLC	±	WEIGHT	-	
ANGLES	±	CUSTOMER DRAWING	SCALE 6:1 SHEET 1 OF 1 REV D	
FINISH	SEE TABLE			