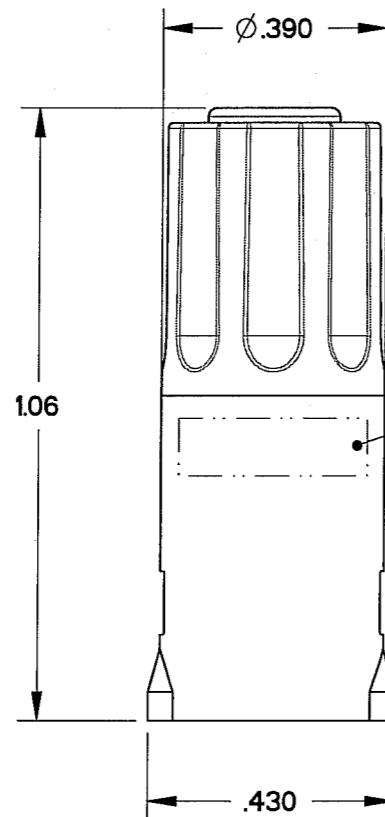
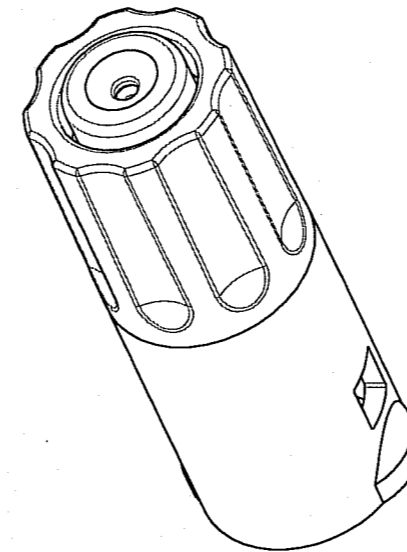
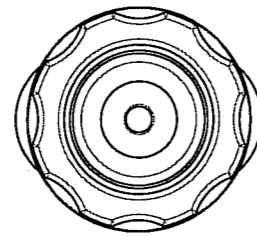


REV	ECN	DESCRIPTION	APP'D
-	5791		J. TON
A	6109	NOTE CHANGE	JT 8/29/07



PART MARKING AS FOLLOWS: DATE CODE  
 APCD YYWW  
 SJS7162XX  
 SEE TABLE 1 FOR FULL PART NUMBERS

- NOTES:
- MATERIALS:  
 HOUSING: PA 6/6  
 CONTACT RETAINER: STAINLESS STEEL  
 GROMMET: SILICONE RUBBER PER A-A-59588  
 SEAL: SILICONE RUBBER PER A-A-59588
  - OPERATING RANGE: REFER TO DRAWING SJS716100
  - ACCEPTS (1) M39029/58-364 PIN CONTACT (NOT INCLUDED)
  - CONTACT RETENTION - MUST LOCK 25 LBS
  - LOCKING FEATURE - NO BREAK 25 LBS
  - MATES WITH SJS716100

TABLE 1 - PART# SCHEME	
APCD PART#	COLOR
SJS716200	BLUE
SJS716210	RED

<b>DIMENSIONS</b> ANSI Y14.5M UNITS: INCHES Pro/E FILE	<b>TOLERANCES</b> .XX ±0.01 .XXX ±0.005 ANGLES ±10°	<b>PROJECTION</b> 	<b>Amphenol Pcd</b> SPECIFICATION DRAWING		<b>TITLE</b> IN-LINE JUNCTION SINGLE WIRE, SIZE 16 RECEPTACLE		
			ENGR S. STONE 01/27/06	CHKD 8/29/07		SIZE <b>B</b>	DWG NO. <b>SJS716200</b>
ORIGINAL 	THIS DOCUMENT CONTAINS PROPRIETARY INFORMATION WHICH IS THE CONFIDENTIAL PROPERTY OF AMPHENOL PCD INC., PEABODY, MA			APPD 8/29/07	CODE: 58982	SCALE: 3:1	SHEET 1 OF 1

SJS716200

SJS716200