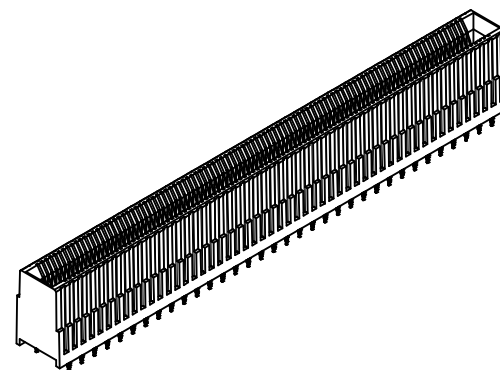
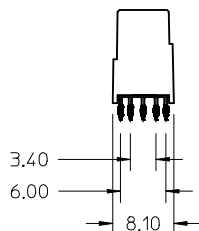
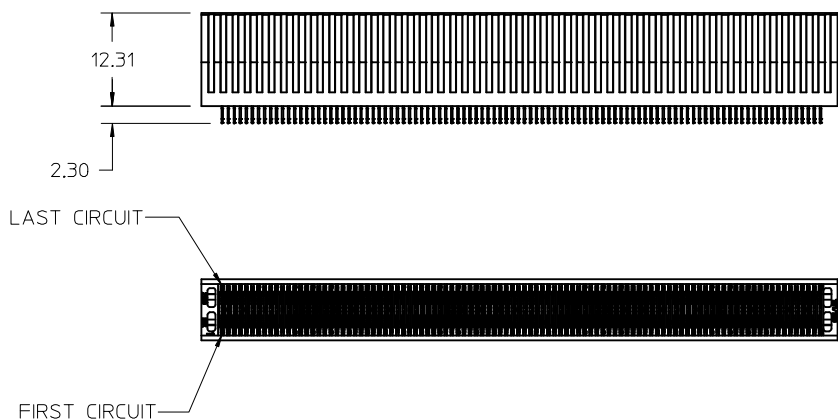


2 BAY EDGE LINE



1 BAY EDGE LINE

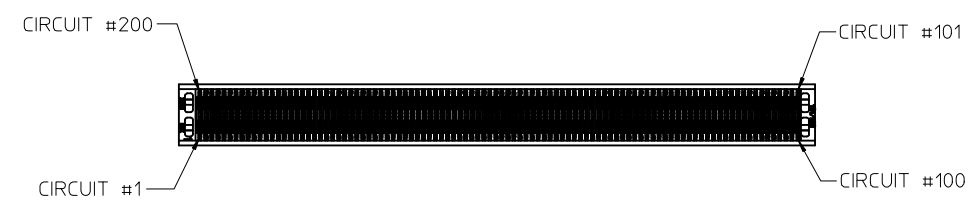
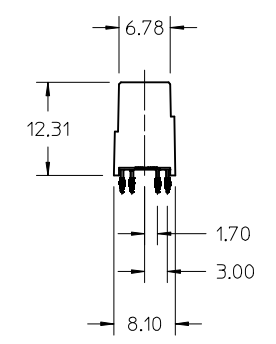
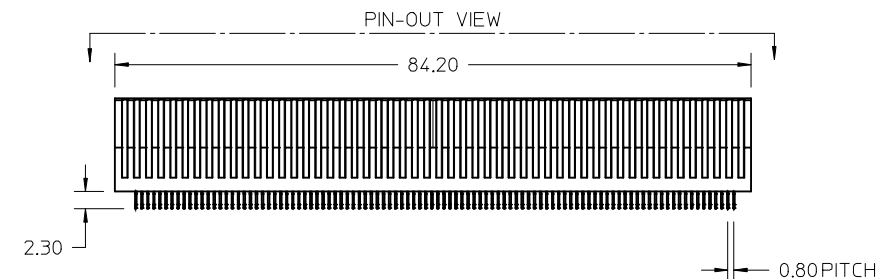
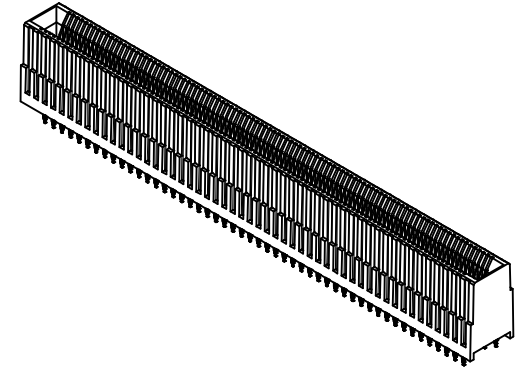
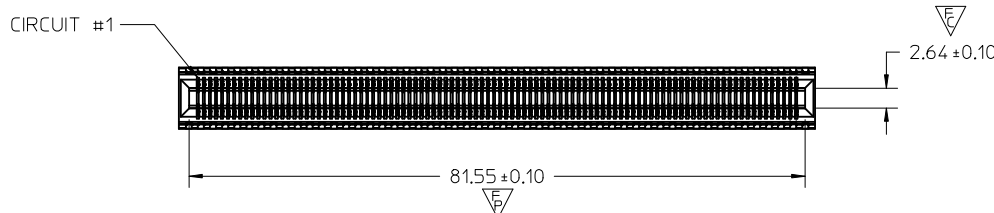
PART NUMBER	VERSION	BAY 1/BAY 2	TOTAL CIRCUITS	DIM A	SALES DRAWING (SEE NOTE 9)
76693-2294	2 BAY	122/172	294	125.03	RSD-76693-110
76693-2274*	2 BAY	122/172	294	125.03	RSD-76693-107
76693-2278	2 BAY	146/132	278	118.63	RSD-76693-2278
76693-1200	1 BAY	200	200	84.20	RSD-76693-1200
76693-1170	1 BAY	170	170	72.20	RSD-76693-1170
76693-3170	1 BAY	170	170	72.20	RSD-76693-3170



NOTES:

- MATERIAL:  
HOUSING - GLASS FILLED THERMOPLASTIC, 94-V0, BLACK  
TERMINALS - COPPER ALLOY
- FINISH:  
CONTACT AREA: HARD GOLD - 0.76µm MIN OVER 3.80µm NICKEL  
COMPLIANT AREA: TIN - 0.76/1.52µm OVER NICKEL
- REFER TO PS-75594-999 PRODUCT SPECIFICATION FOR ALL ELECTRICAL, MECHANICAL AND ENVIRONMENTAL SPECIFICATIONS.
- REFER TO PK-76693-900 FOR ALL PACKAGING SPECIFICATIONS.
- PROCESSING: PRESSFIT TO PC BOARD.
- MATING PC BOARD THICKNESS = 2.36±0.16MM OVER CONTACT PADS.
- THIS PART CONFORMS TO CLASS B REQUIREMENTS OF COSMETIC SPEC PS-45499-002
- FOR EDGE CARD AND MOUNTING PCB LAYOUT DETAIL SEE CORRESPONDING SALES DRAWING.

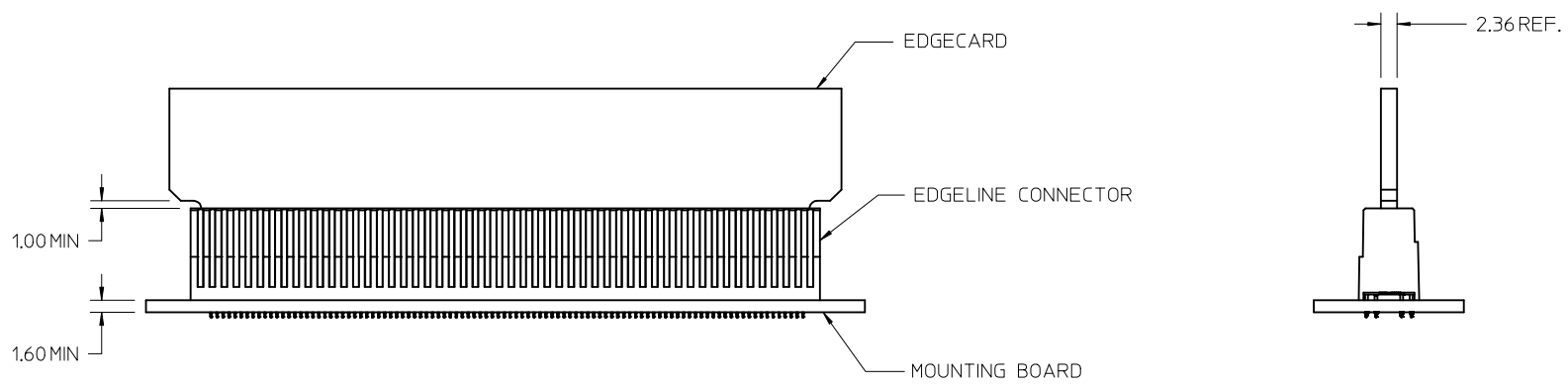
INITIAL RELEASE EC NO: UCP2015-1097 DRAWN: RWHIPPLE 2014/09/17 CHKD: MPOFF 2014/09/17 APPR: SMILLER 2014/09/29	DESCRIPTION REV	QUALITY SYMBOLS ▽=0 ▽=0 ▽=0	GENERAL TOLERANCES (UNLESS SPECIFIED)		DIMENSION STYLE <b>MM ONLY</b>	SCALE <b>2:1</b>	DESIGN UNITS <b>METRIC</b>	THIRD ANGLE PROJECTION
			mm	INCH	DRAWN BY RWHIPPLE	DATE 2014/09/17	TITLE <b>EDGE LINE 12.5GB 0.093*PCB 0.8MM PITCH</b>	
A			4 PLACES ± --- ± ---		CHECKED BY MPOFF	DATE 2014/09/17		
			3 PLACES ± --- ± ---		APPROVED BY SMILLER	DATE 2014/09/29		
			2 PLACES ± 0.13 ± ---		MATERIAL NO.		DOCUMENT NO.	SHEET NO.
			1 PLACE ± 0.25 ± ---		<b>SEE TABLE</b>		<b>RSD-76693-100</b>	<b>1 OF 1</b>
			0 PLACE ± --- ± ---		SIZE C	THIS DRAWING CONTAINS INFORMATION THAT IS PROPRIETARY TO MOLEX INCORPORATED AND SHOULD NOT BE USED WITHOUT WRITTEN PERMISSION		
			ANGULAR ±1/2°					
			DRAFT WHERE APPLICABLE MUST REMAIN WITHIN DIMENSIONS					



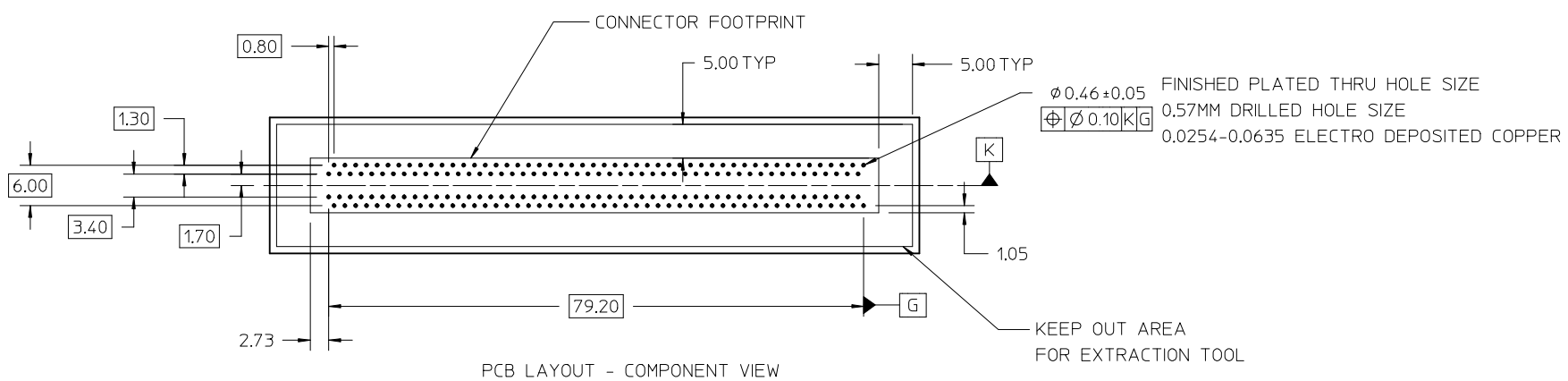
- NOTES:
- MATERIAL:  
HOUSING - GLASS FILLED THERMOPLASTIC, 94-V0, BLACK  
TERMINALS - COPPER ALLOY
  - FINISH:  
CONTACT AREA: HARD GOLD -0.76µm MIN OVER 3.80µ NICKEL  
COMPLIANT AREA: TIN - 0.76/1.52µm OVER NICKEL
  - REFER TO PS-75594-999 PRODUCT SPECIFICATION FOR ALL ELECTRICAL, MECHANICAL AND ENVIROMENTAL SPECIFICATIONS.
  - REFER TO PK-76693-900 FOR ALL PACKAGING SPECIFICATIONS.
  - PROCESSING: PRESSFIT TO PC BOARD.
  - MATING PC BOARD THICKNESS = 2.36±0.16MM OVER CONTACT PADS.
  - THIS PART CONFORMS TO CLASS B REQUIREMENTS OF COSMETIC SPEC PS-45499-002

INITIAL RELEASE EC NO: UCP2015-1097 DRWR:RWHIPPLE 2014/09/18 CHKD:MPOFF 2014/09/18 APPR:SMILLER 2014/09/29	DESCRIPTION REV	QUALITY SYMBOLS ∇=0 ∇=1 ∇=1	GENERAL TOLERANCES (UNLESS SPECIFIED)		DIMENSION STYLE <b>MM ONLY</b>		SCALE <b>2:1</b>	DESIGN UNITS <b>METRIC</b>	THIRD ANGLE PROJECTION		
			4 PLACES ± --- ± --- 3 PLACES ± --- ± --- 2 PLACES ± 0.15 ± --- 1 PLACE ± 0.25 ± --- 0 PLACE ± ±	mm INCH ± --- ± --- ± 0.15 ± --- ± 0.25 ± --- ± ±	DRAWN BY RWHIPPLE	DATE 2014/09/18	TITLE <b>EDGE LINE 12.5GB 200CKTS                  0.093" PCB 0.8MM PITCH</b>				
				APPROVED BY SMILLER	DATE 2014/09/29	MATERIAL NO. <b>766931200</b>					
				ANGULAR ± 2 °							DOCUMENT NO. <b>RSD-76693-1200</b>
DRAFT WHERE APPLICABLE MUST REMAIN WITHIN DIMENSIONS			SIZE C		THIS DRAWING CONTAINS INFORMATION THAT IS PROPRIETARY TO MOLEX INCORPORATED AND SHOULD NOT BE USED WITHOUT WRITTEN PERMISSION						

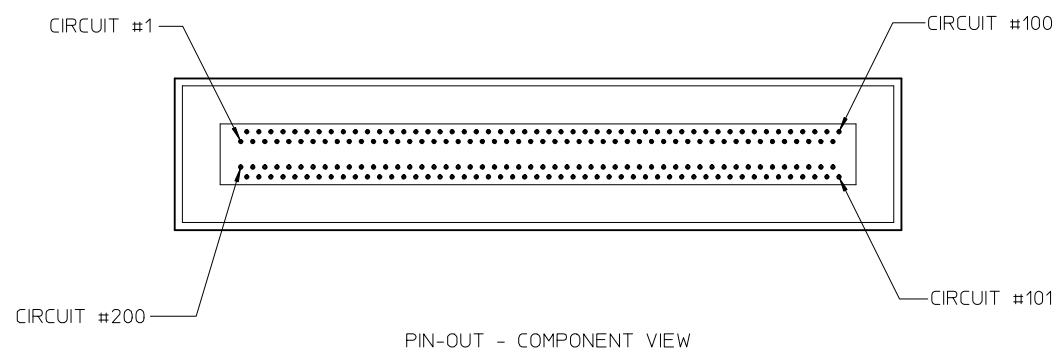
# EDGE LINE CONNECTOR BOARD MOUNTING



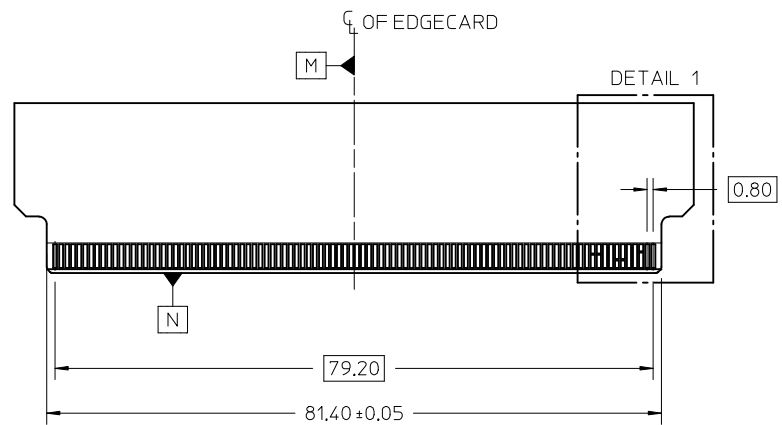
SEE SHEET 1 EC NO: UCP2015-1097 DRWN:RWHPPL 2014/09/18 CHKD:MPOFF 2014/09/18 APPR:SMILLER 2014/09/29	QUALITY SYMBOLS	GENERAL TOLERANCES (UNLESS SPECIFIED)	DIMENSION STYLE	SCALE	DESIGN UNITS	THIRD ANGLE PROJECTION
	▽=0	mm INCH	MM ONLY	2:1	METRIC	
	▽=0	4 PLACES ± --- ± ---	DRAWN BY DATE	TITLE		
	▽=0	3 PLACES ± --- ± ---	RWHIPPLE 2014/09/18	EDGE LINE 12.5GB 200CKTS 0.093" PCB 0.8MM PITCH		
▽=0	2 PLACES ± 0.15 ± ---	CHECKED BY DATE	molex DOCUMENT NO. RSD-76693-1200 SHEET NO. 2 OF 4			
	1 PLACE ± 0.25 ± ---	MPOFF 2014/09/18				
	0 PLACE ± ±	APPROVED BY DATE	THIS DRAWING CONTAINS INFORMATION THAT IS PROPRIETARY TO MOLEX INCORPORATED AND SHOULD NOT BE USED WITHOUT WRITTEN PERMISSION			
		SMILLER 2014/09/29				
		MATERIAL NO.	SEE SHEET 1			
		ANGULAR ± 2 °	DRAFT WHERE APPLICABLE MUST REMAIN WITHIN DIMENSIONS			



PCB LAYOUT - COMPONENT VIEW



PIN-OUT - COMPONENT VIEW



EDGE CARD LAYOUT

<b>SEE SHEET 1</b> EC NO: UCP2015-1097 DRW:RWHPPL 2014/09/18 CHKD:MPOFF 2014/09/18 APPR:SMILLER 2014/09/29	QUALITY SYMBOLS	GENERAL TOLERANCES (UNLESS SPECIFIED)	DIMENSION STYLE	SCALE	DESIGN UNITS	THIRD ANGLE PROJECTION
	▽=0	mm INCH	MM ONLY	2:1	METRIC	
	▽=0	4 PLACES ± --- ± ---	DRAWN BY DATE	TITLE		
	▽=0	3 PLACES ± --- ± ---	RWHIPPLE 2014/09/18	EDGELINE 12.5GB 200CKTS 0.093" PCB 0.8MM PITCH		
		1 PLACE ± 0.15 ± ---	CHECKED BY DATE	<b>molex</b> DOCUMENT NO. RSD-76693-1200 SHEET NO. 3 OF 4		
		0 PLACE ± ±	MPOFF 2014/09/18			
		ANGULAR ± 2 °	APPROVED BY DATE			
		DRAFT WHERE APPLICABLE MUST REMAIN WITHIN DIMENSIONS	SMILLER 2014/09/29			
			MATERIAL NO.			
			SEE SHEET 1			
			SIZE C	THIS DRAWING CONTAINS INFORMATION THAT IS PROPRIETARY TO MOLEX INCORPORATED AND SHOULD NOT BE USED WITHOUT WRITTEN PERMISSION		

