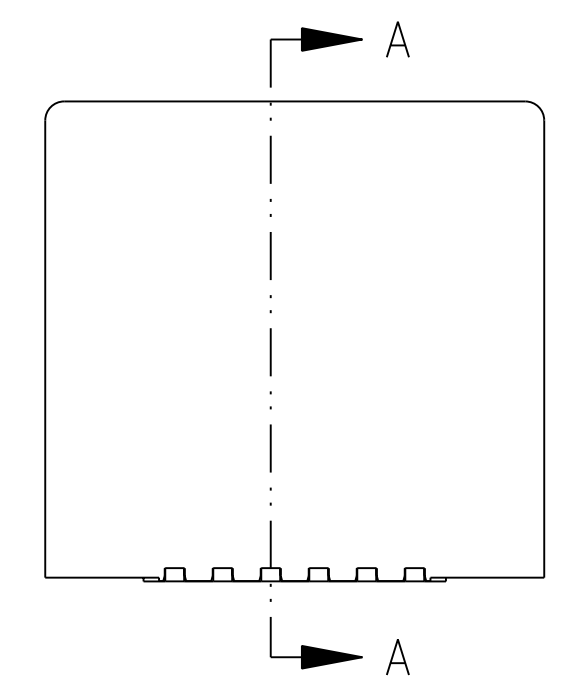
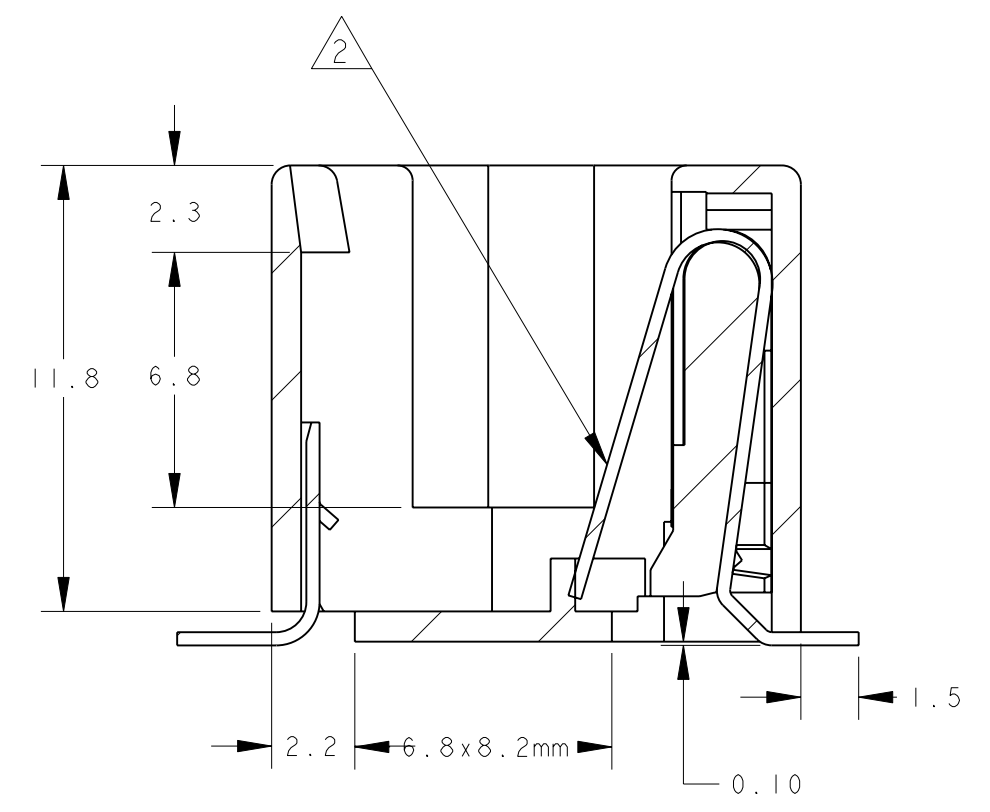
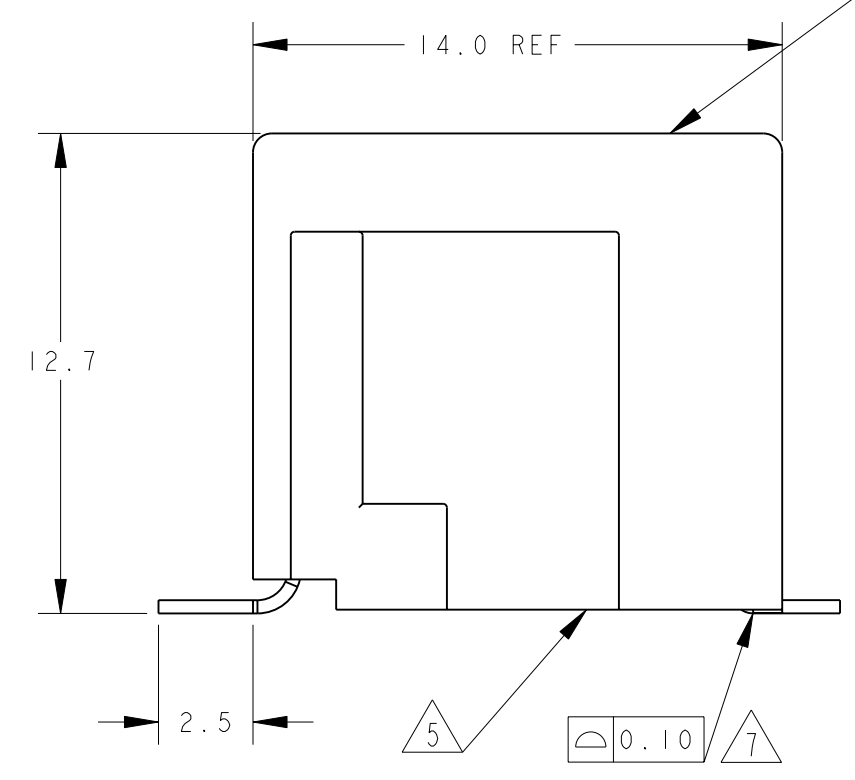
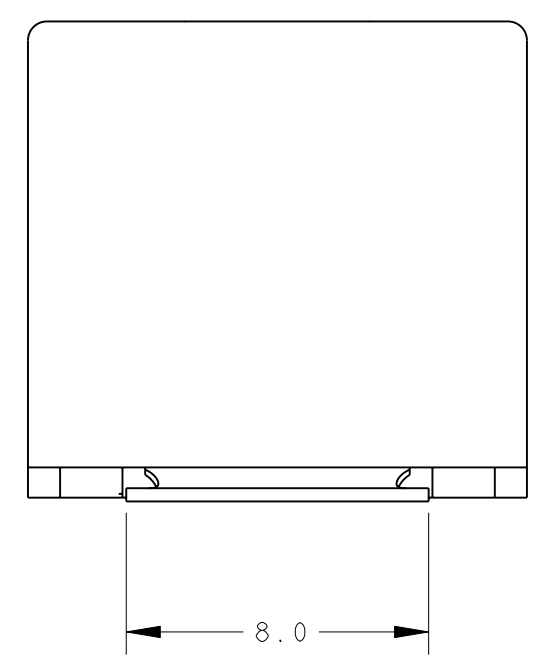
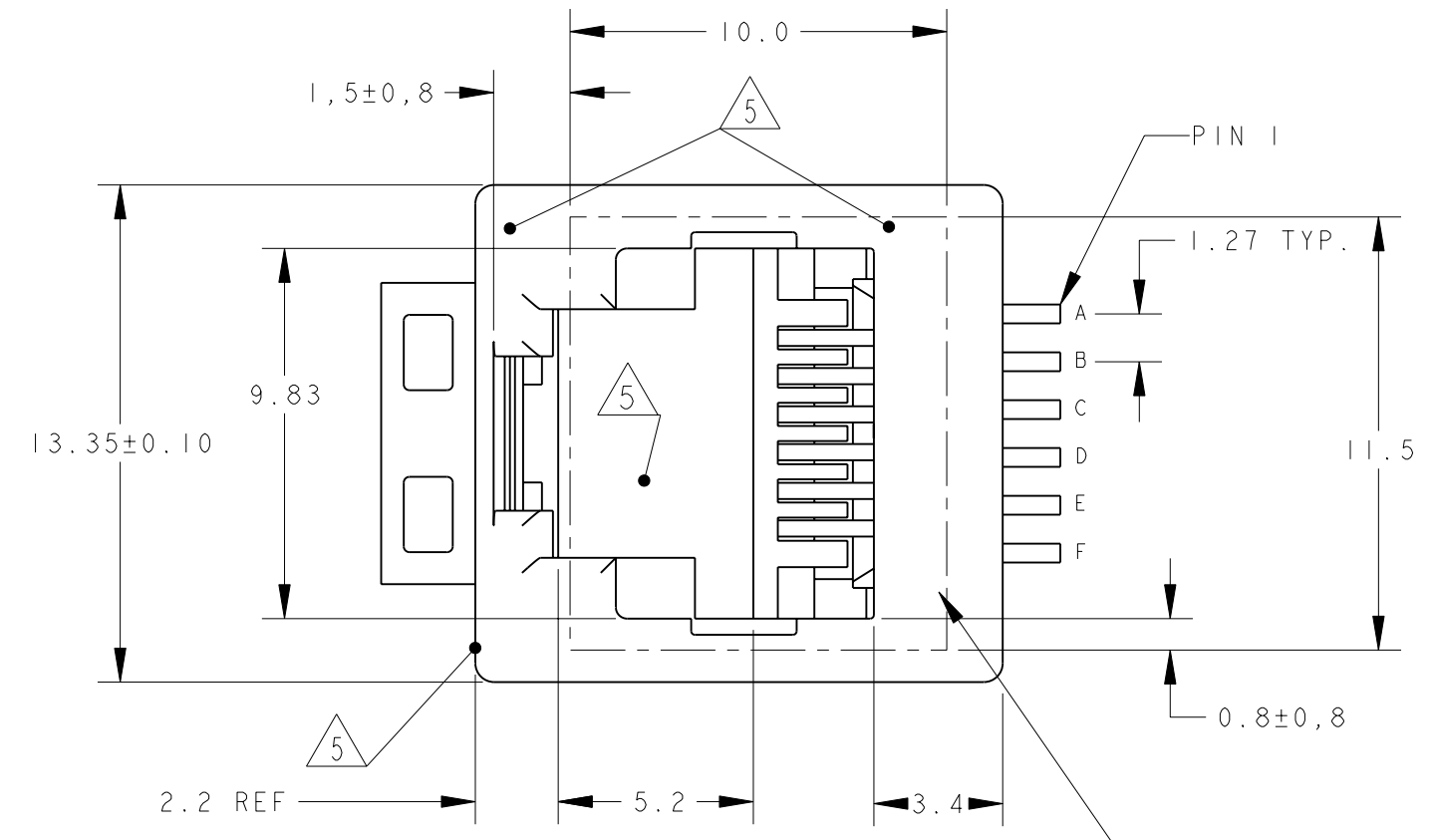
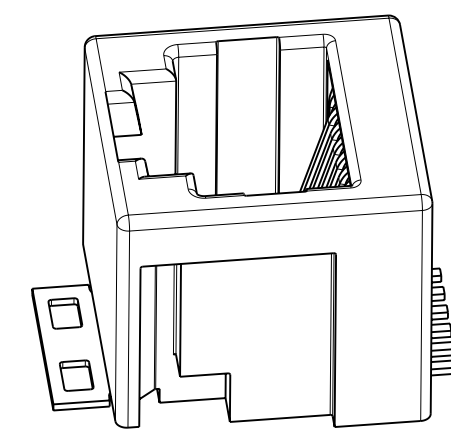


THIS DRAWING IS UNPUBLISHED. RELEASED FOR PUBLICATION
 © COPYRIGHT - TE CONNECTIVITY ALL RIGHTS RESERVED.

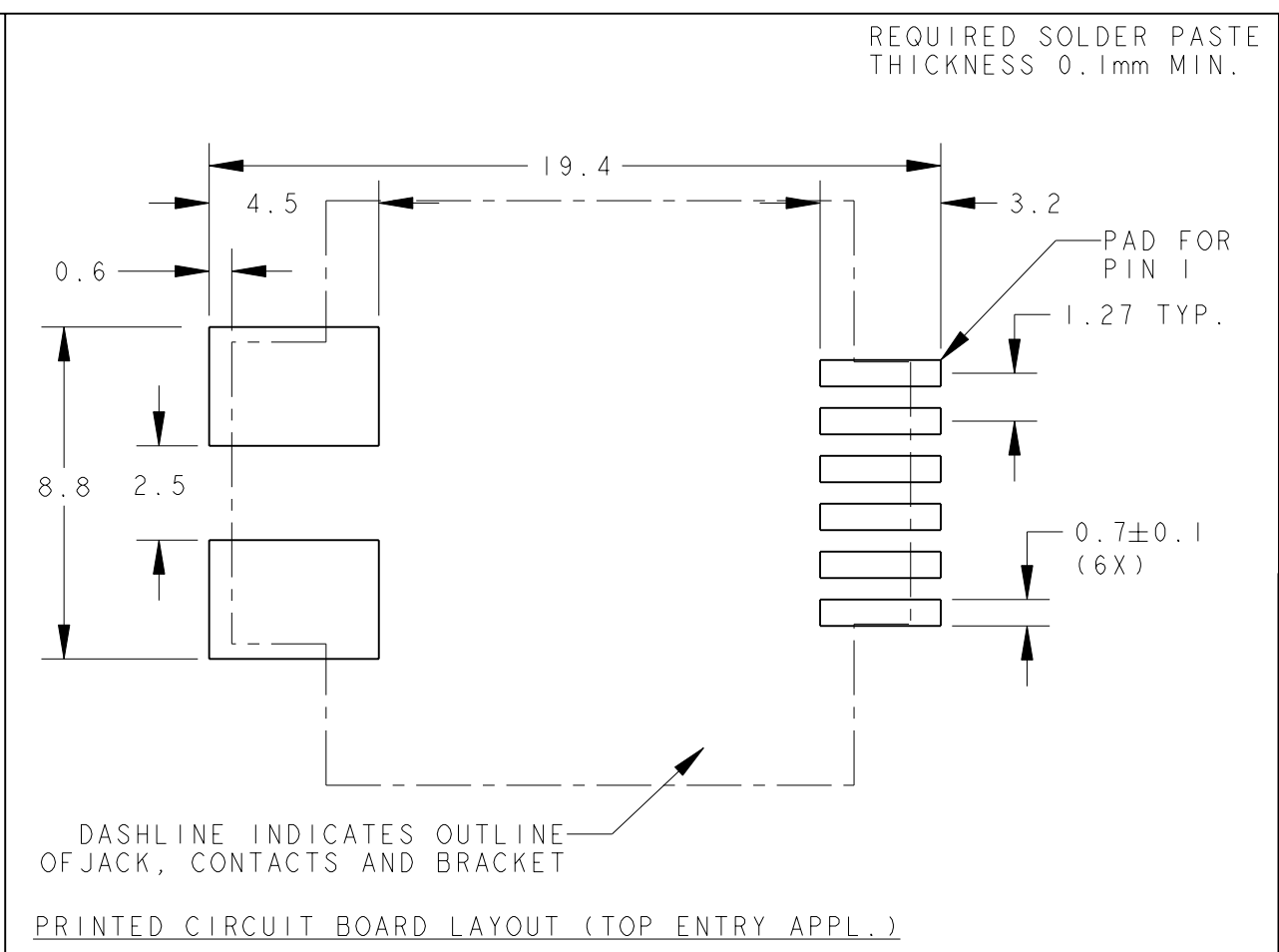
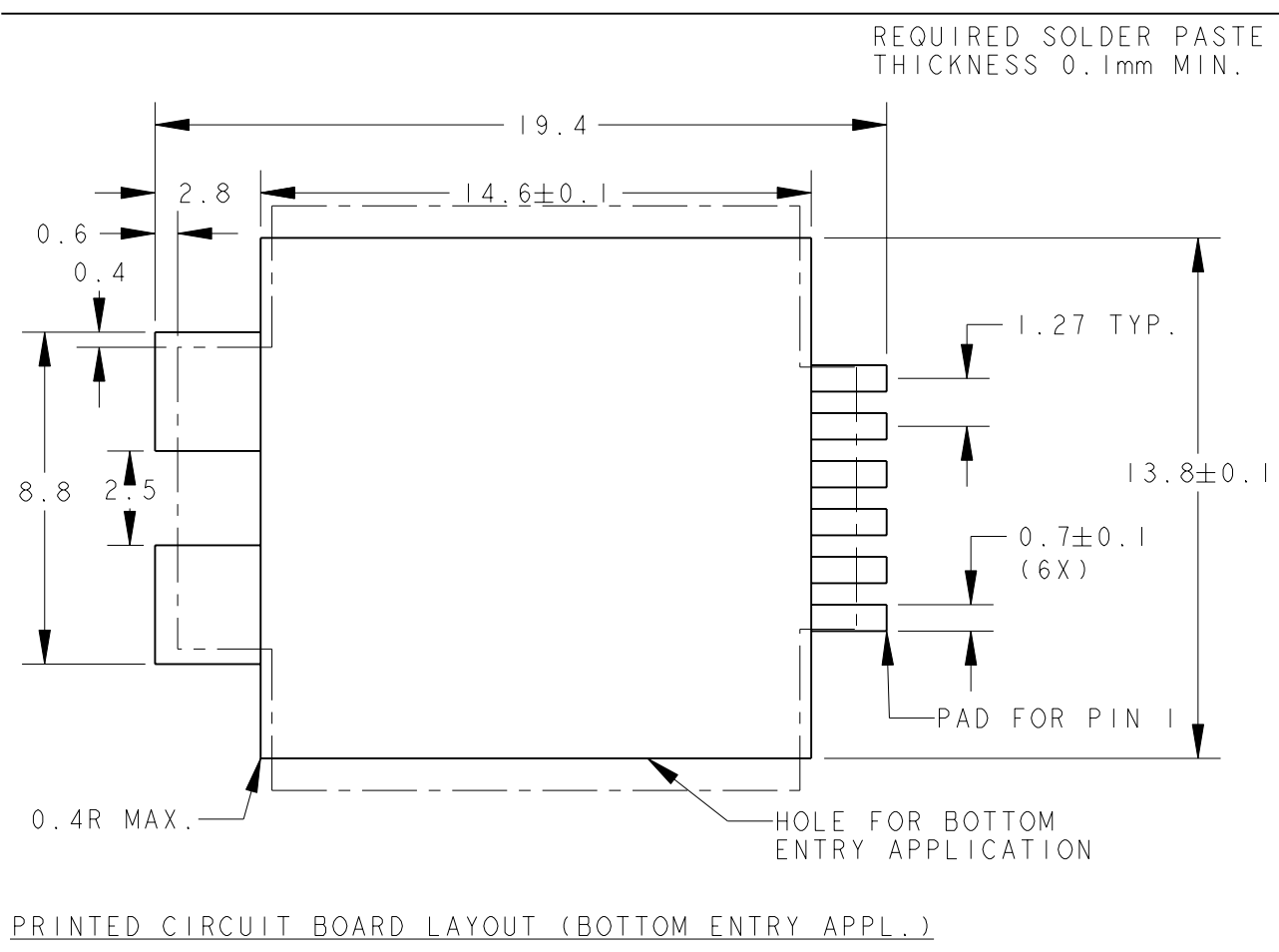
LOC		DIST		REVISIONS			
P	LTR	DESCRIPTION	DATE	DWN	APVD		
IR	-	W	ECR-10-020218	28DEC2010	PS	PKS	

NOTES:

- 1 TOLERANCES UNLESS OTHERWISE SPECIFIED: ±0.15.
- 2 CONTACT PLATING:
 OVERALL: Ni 1.27µm MIN. ALL OVER THE CONTACTS
 SOLDER ZONE: Sn 3.5-5.0µm ON THE SOLDER ZONE OF THE CONTACT
 MATING ZONE: PLATING CONFIRMS TO PRODUCT REQUIREMENTS
 AS PER SPECIFICATION 108-19117
- 3 MATERIALS:
 HOUSING: 30% G.F. PA 9T, COLOR BLACK, UL 94V-0.
 CONTACTS: PHOSPHOR BRONZE
 SOLDER BRACKET: TINPLATED BRASS WITH NICKEL UNDERPLATE.
- 4 THIS JACK CAN ALSO BE APPLIED HANGING THROUGH A HOLE,
 IN A PRINTED CIRCUIT BOARD. SEE LEFT PCB LAYOUT.
- 5 SURFACE CAN BE USED FOR PICKING THE MODULAR JACK WITH,
 TYPE 11 SMD MACHINE.
- 6 ON 1-338086-4 AND 2-338086-4 ONLY CONTACTS B,C,D & E
 ARE INSTALLED.
- 7 COPLANARITY MEASURED AT HEEL OF CONTACTS
 COPLANARITY AT TIPS OF CONTACTS MAX. 0.18 mm
- 8 TAPE AND REEL PACKAGING ACCORDING TO EIA 481-3 SPECIFICATIONS.
- 9 INCLUDES KAPTON TAPE (10x11,5mm)
 ON TOP SURFACE AS PICK AND PLACE FEATURE.
- 10 OBSOLETE PARTS: OBSOLETE CIS STREAMLINIG PER D. RENAUD/D.SINSI



SECTION A - A



POS. / CONT.	PACKAGING	PART NUMBER
6 POS. / 6 CONT.	750 PCS ON Ø560mm OD REEL. BOTTOM ENTRY ORIENTATION PER DETAIL B2	2-338086-5
6 POS. / 4 CONT.	750 PCS ON Ø560mm OD REEL. TOP ENTRY ORIENTATION PER DETAIL B1	2-338086-4
6 POS. / 6 CONT.	300 PCS ON Ø360mm OD REEL. BOTTOM ENTRY ORIENTATION PER DETAIL B1	2-338086-3
6 POS. / 4 CONT.	300 PCS ON Ø360mm OD REEL. TOP ENTRY ORIENTATION PER DETAIL B1	1-338086-7
6 POS. / 6 CONT.	300 PCS ON Ø360mm OD REEL. BOTTOM ENTRY ORIENTATION PER DETAIL B2	1-338086-6
6 POS. / 6 CONT.	300 PCS ON Ø360mm OD REEL. BOTTOM ENTRY ORIENTATION PER DETAIL B2	1-338086-5
6 POS. / 4 CONT.	300 PCS ON Ø360mm OD REEL. TOP ENTRY ORIENTATION PER DETAIL B1	1-338086-4
6 POS. / 6 CONT.	300 PCS ON Ø360mm OD REEL. TOP ENTRY ORIENTATION PER DETAIL B1	1-338086-3
REMARKS	PACKAGING	PART NUMBER

THIS DRAWING IS A CONTROLLED DOCUMENT.

DWN: E.v.EIJK 22-Nov-96
 CHK: E.STELLINGA DEC-96
 APVD: R.SMEETS
 PRODUCT SPEC: 108-19117
 APPLICATION SPEC: 114-19041
 MATERIAL: SEE NOTE 3
 FINISH: SEE NOTE 2

STE TE Connectivity

INVERTIBLE MODULAR JACK ASSEMBLY FOR SURFACE MOUNT APPLICATION 6/6 AND 6/4 POSITION LINE

SIZE: A2 CAGE CODE: 0779 DRAWING NO: 338086 RESTRICTED TO: -
 SCALE: 5:1 SHEET 1 OF 2 REV W

4

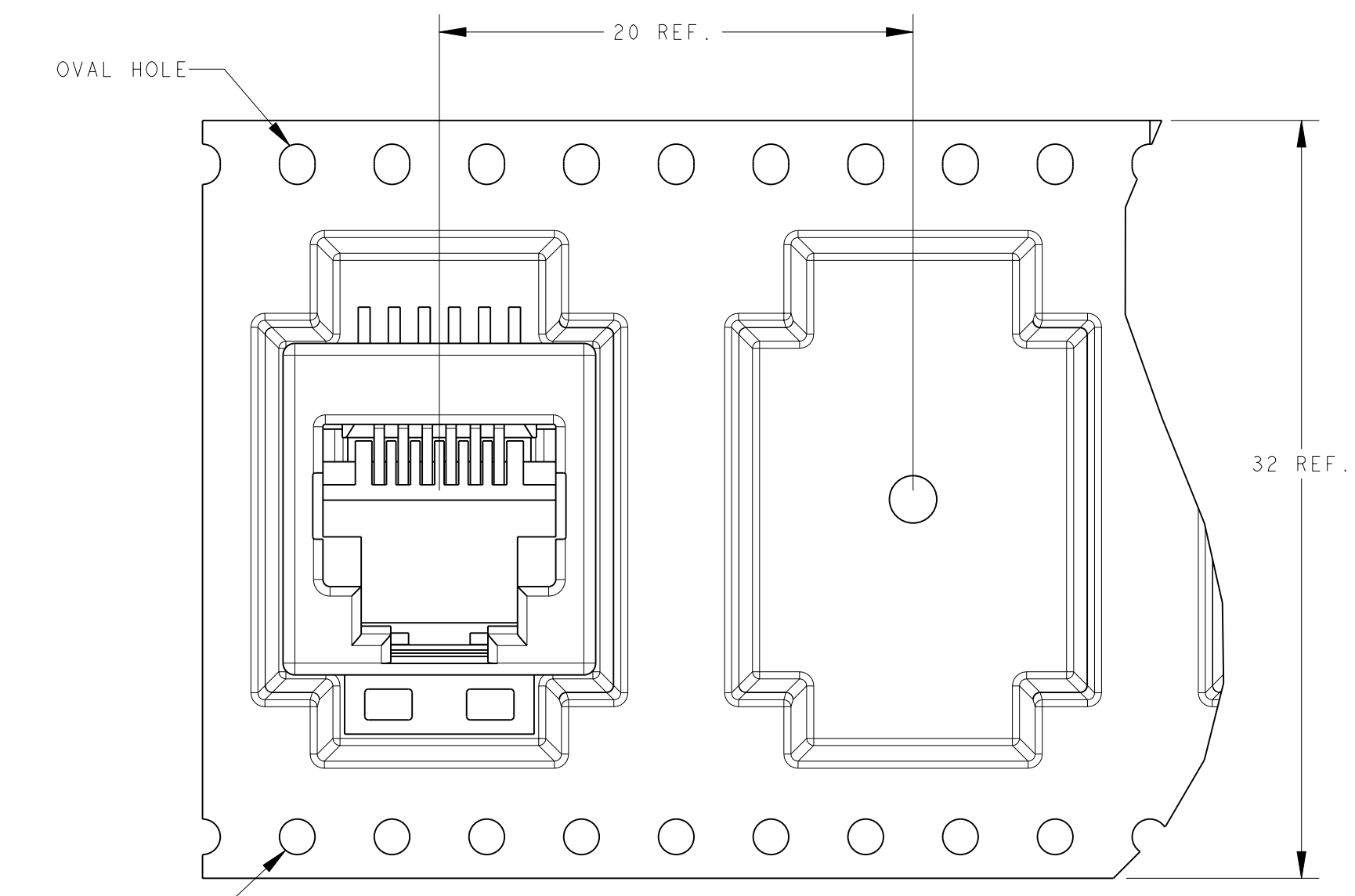
3

2

1

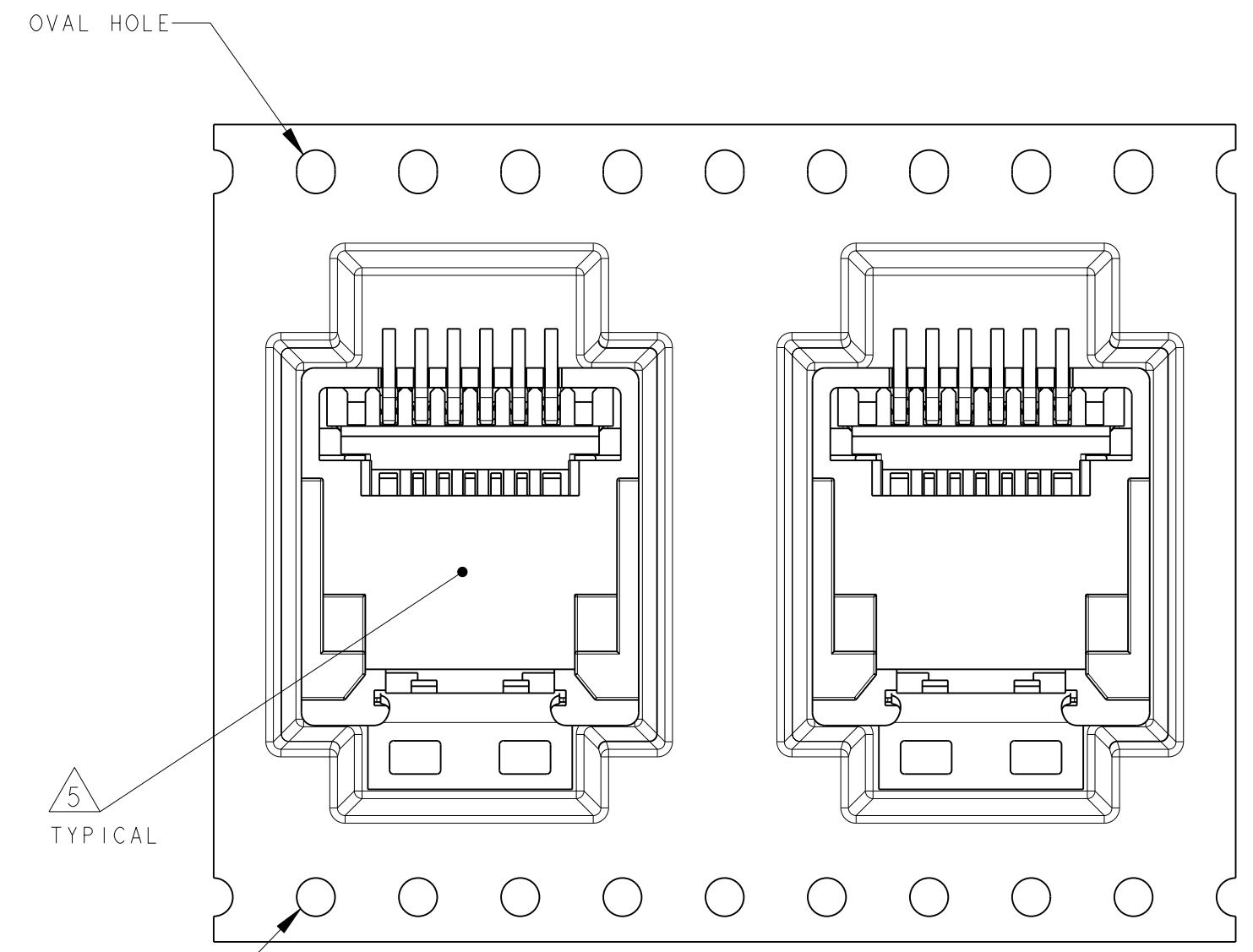
THIS DRAWING IS UNPUBLISHED. RELEASED FOR PUBLICATION
 © COPYRIGHT - TE CONNECTIVITY ALL RIGHTS RESERVED.

LOC	DIST	REVISIONS			
P	LTR	DESCRIPTION	DATE	DWN	APVD
IR	-	SEE SHEET 1	-	-	-



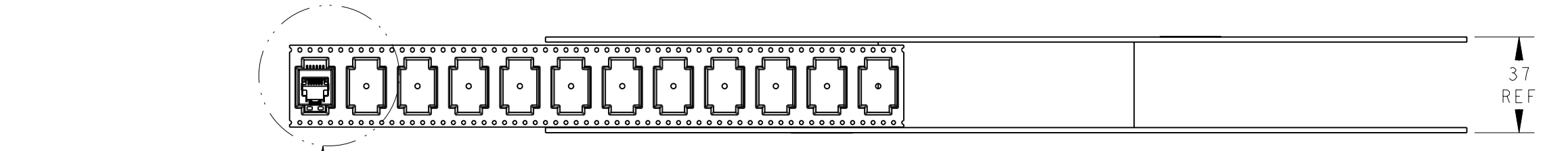
TOP ENTRY ORIENTATION.

DETAIL B1
SCALE 4:1

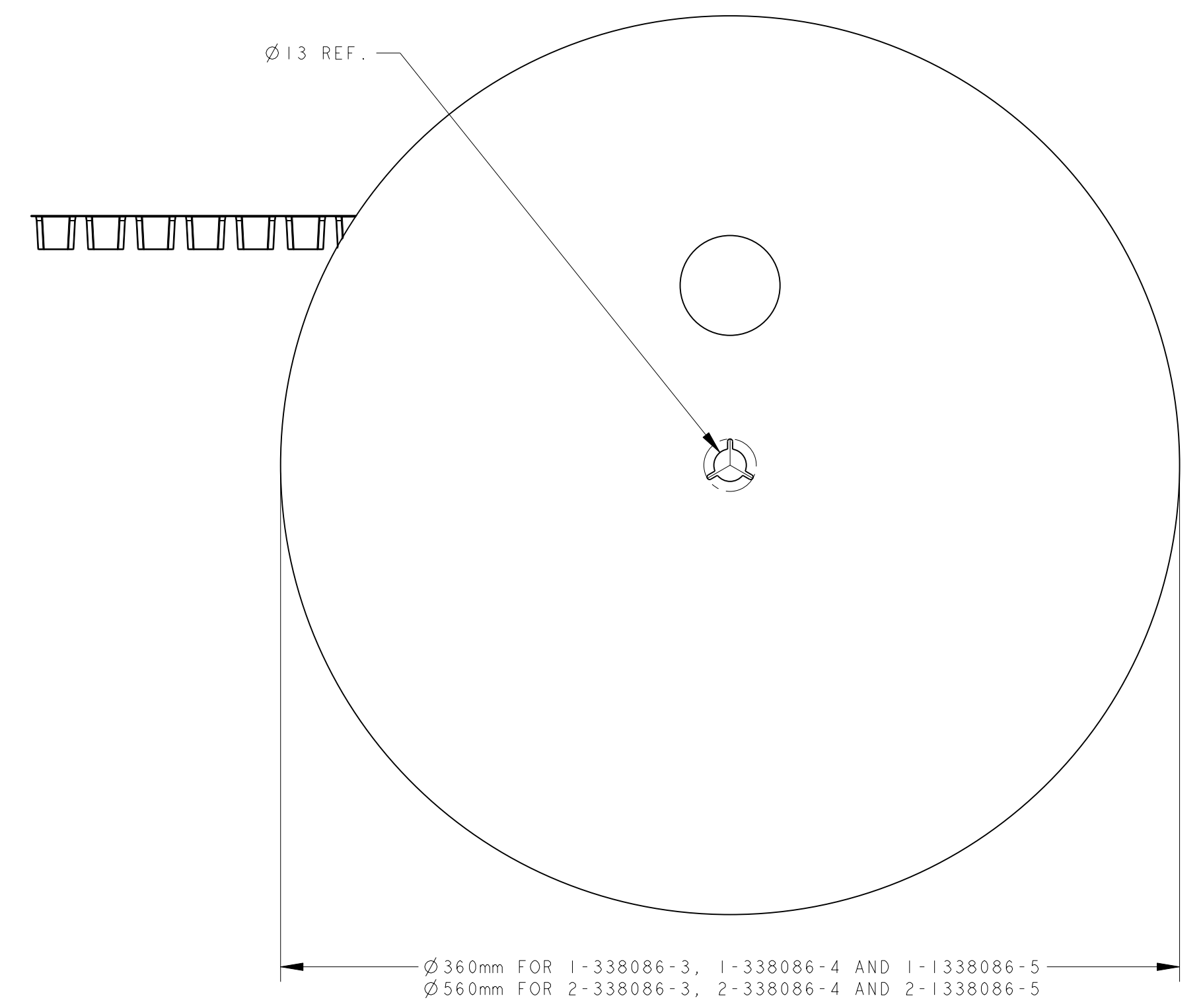


BOTTOM ENTRY ORIENTATION.

DETAIL B2
SCALE 4:1



SEE DETAIL B1 & B2



5 TYPICAL

THIS DRAWING IS A CONTROLLED DOCUMENT.		DWN 22-Nov-96 E.v.EIJK	TE Connectivity	
DIMENSIONS: mm		CHK E.STELLINGA APVD R.SMEETS		
TOLERANCES UNLESS OTHERWISE SPECIFIED:		PRODUCT SPEC 108-19117	NAME INVERTIBLE MODULAR JACK ASSEMBLY FOR SURFACE MOUNT APPLICATION 6/6 AND 6/4 POSITION LINE	
0 PLC ±		APPLICATION SPEC 114-19041	SIZE	CAGE CODE
1 PLC ±		WEIGHT -	A20779	C-338086
2 PLC ±		CUSTOMER DRAWING	SCALE 5:1	SHEET 2 OF 2
3 PLC ±				REV W
4 PLC ±				
ANGLES ±				
FINISH				