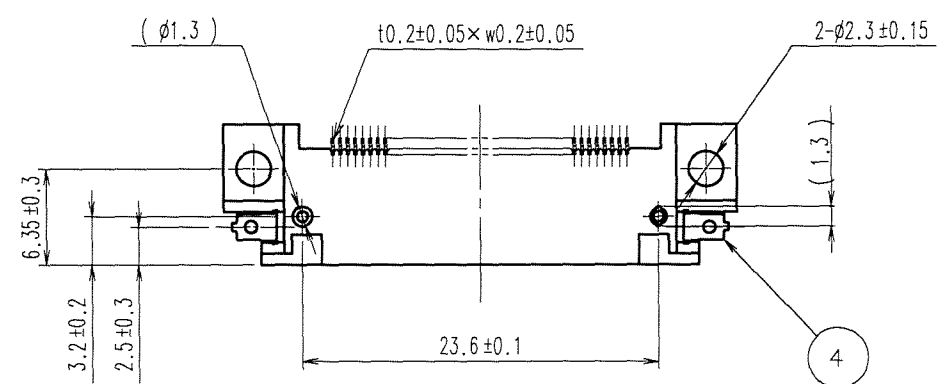
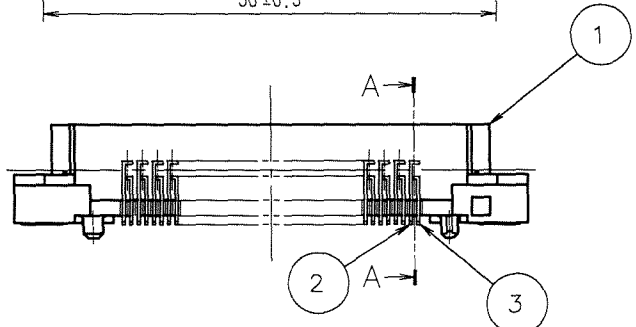
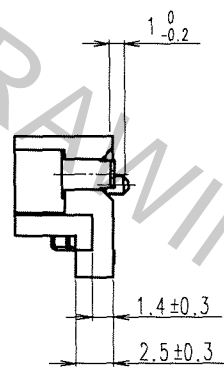
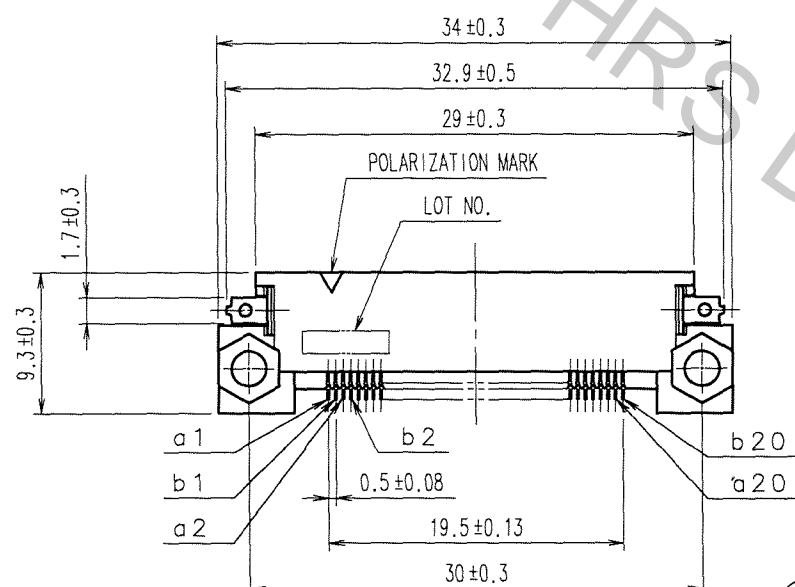
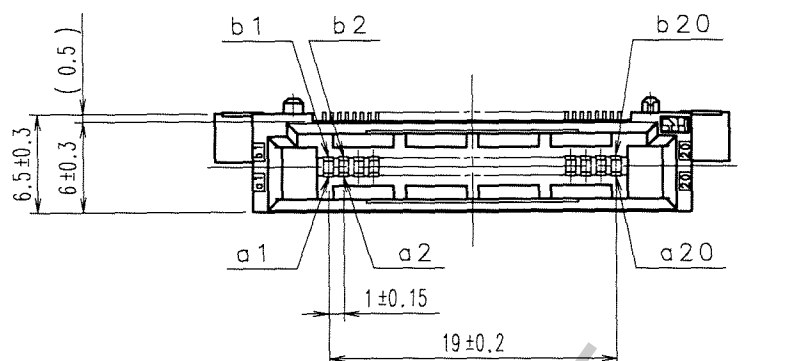
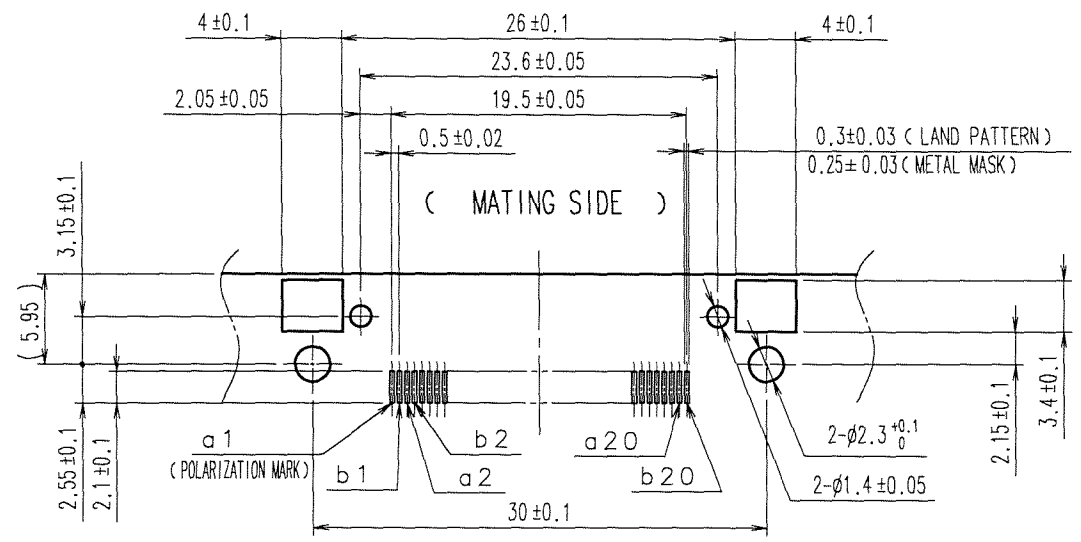


Apr.1.2017 Copyright 2017 HIROSE ELECTRIC CO., LTD. All Rights Reserved.

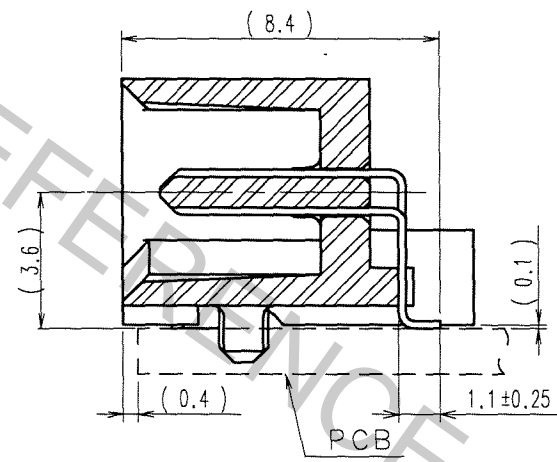
| COUNT | DESCRIPTION OF REVISIONS | BY | CHKD | DATE | COUNT | DESCRIPTION OF REVISIONS | BY | CHKD | DATE |
|-------|--------------------------|----|------|------|-------|--------------------------|----|------|------|
|       |                          |    |      |      |       |                          |    |      |      |
|       |                          |    |      |      |       |                          |    |      |      |
|       |                          |    |      |      |       |                          |    |      |      |



RECOMMENDED PCB HOLE PATTERN ( MOUNTING SIDE )



A-A ( 5 : 1 )



| 4   | BRASS     | TIN-PLATING     | 2, 3 | BRASS    | CONTACT AREA: GOLD 0.1μm min.   |
|-----|-----------|-----------------|------|----------|---------------------------------|
| 1   | POLYAMIDE | BEIGE UL94V-0   |      |          | LEAD AREA: TIN-PLATING 1μm min. |
|     |           |                 |      |          | UNDER PLATING: NICKEL 1μm min.  |
| NO. | MATERIAL  | FINISH, REMARKS | NO.  | MATERIAL | FINISH, REMARKS                 |

|                      |                                  |  |  |   |          |
|----------------------|----------------------------------|--|--|---|----------|
| CODE NO. (OLD)<br>CL | DRAWN<br>A. SUZUKAWA<br>06.10.04 | DESIGNED<br><i>M. Nakamura</i><br>06.10.04 | CHECKED<br><i>T. Ogawa</i><br>06.10.04 | APPROVED<br><i>H. Okawa</i><br>06.10.04 | RELEASED |
|----------------------|----------------------------------|--|--|---|----------|

|                |                                      |                             |
|----------------|--------------------------------------|-----------------------------|
| SCALE<br>2 : 1 | DRAWING NO.<br>EDC3-151513-21        | PART NO.<br>FX5-40P-SH(71)  |
| UNITS<br>mm    | <b>HRS</b> HIROSE ELECTRIC CO., LTD. | CODE NO.<br>CL575-0005-8-71 |

NOTES 1. LEAD CO-PLANARITY INCLUDING REINFORCED METAL FITTINGS TO BE 0.1 MAX.  
2. NOTE THAT THE REFERENCE TIGHTENING TORQUE IS 0.15 N·m.  
3. THE DIMENSIONS IN PARENTHESES ARE FOR REFERENCE.

TO  
PCK