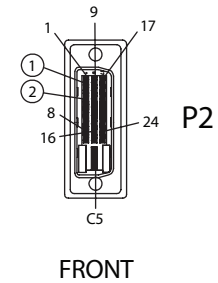
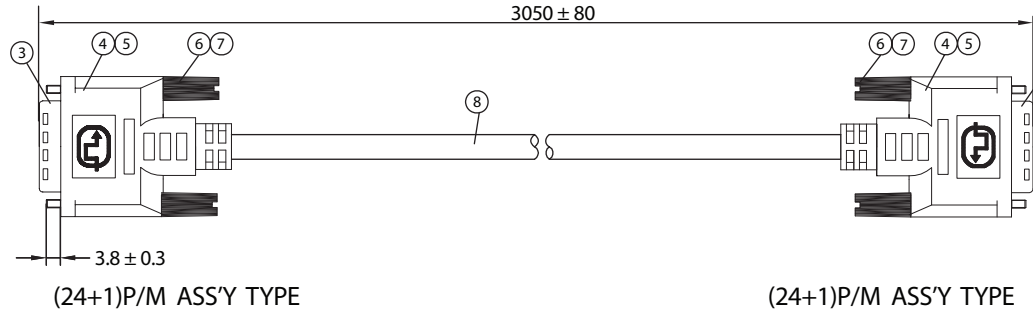
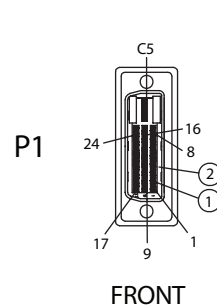
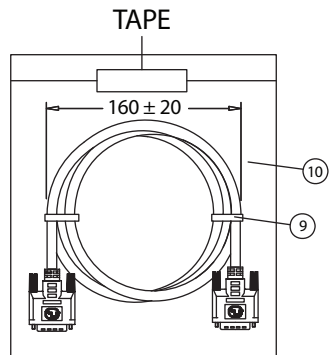


REVISION			
REV.	DESCRIPTION	DATE	APPROVED



P1	P2	PIN OUT	
1 - WHITE	1	P1	P2
2 - ORANGE	2	17 - WHITE	17
3 - DRAIN	3	18 - YELLOW	18
4 - DRAIN	4	19 - DRAIN	19
5 - BROWN	5	20 - WHITE	20
9 - WHITE	9	21 - GREEN	21
10 - BLACK	10	22 - DRAIN	22
11 - DRAIN	11	23 - WHITE	23
12 - WHITE	12	24 - RED	24
13 - BLUE	13	SHELL - BRAID	SHELL
		6 - WHITE	6
		7 - YELLOW	7
		14 - RED	14
		15 - BLACK	15
		16 - BROWN	16

**NOTES:**

- CABLE: UL20276  
28AWGx1P+DW+FOIL)x7+28AWGx3C+28AWGx1P+MYLAR+FOIL+BD  
OUTER JACKET COLOR: BLACK, OD: 8.5 ± 0.3mm  
PRINTING: E166307 AWM 20276 28AWG 80°C 30V VW-1  
LOW VOLTAGE COMPUTER CABLE
- CONNECTORS: DVI(24+1)P/M TO DVI(24+1)P/M
- HOOD: ASS'Y TYPE, COLOR: BLACK
- ELECTRICAL TEST:  
<1>.100% OPEN SHORT & MISS WIRE TEST  
<2>.INSULATION RESISTANCE: DC400V 10M ohm MIN.  
<3>.CONDUCTOR RESISTANCE: 3 ohm MAX.
- PACKING: 1PC/POLYBAG

No.	PARTS NAME	SPECIFICATION STANDARD	QTY	REMARKS
①	DVI (24+1)P/M - CONTACT	BRASS / GOLD PLATED SOLDER TYPE	50	
②	DVI (24+1)P/M - INSULATOR	THERMOPLASTIC / BLACK UL94V-0	2	
③	DVI (24+1)P/M - SHELL	NICKEL PLATED	2	
④	CAN	STEEL TIN PLATED ID: 9.0mm	2	
⑤	DVI (24+1)P/M - COVER	45P PVC/COLOR: BLACK	2	
⑥	THUMB SCREW	#4-40 2.8x45mm, NICKEL PLATED	4	
⑦	SCREW - MOLD	35P PVC / COLOR: BLACK	4	
⑧	CABLE DVI 24+1 UL 20276	KL 3007ABK01A	1	
⑨	MINI TIE	PE/BLACK	2	
⑩	POLYBAG	0.08x220x260	1	

Dim range (mm)	Tolerance +/- (mm)	Qualtek Electronics Corp. WCI DIVISION		
		Part Number: 1321027-10		
0-1	0.15	Description: DVI (24+1)P/M - DVI (24+1)P/M		
1-6	0.20			
6-18	0.30			
18-50	0.50			
50-120	0.70	Drawn / Date	Checked / Date	Approved / Date
120-250	0.90	B.Grubb 01-25-07	01-25-07	JJH / 01-25-07
250-500	1.20			