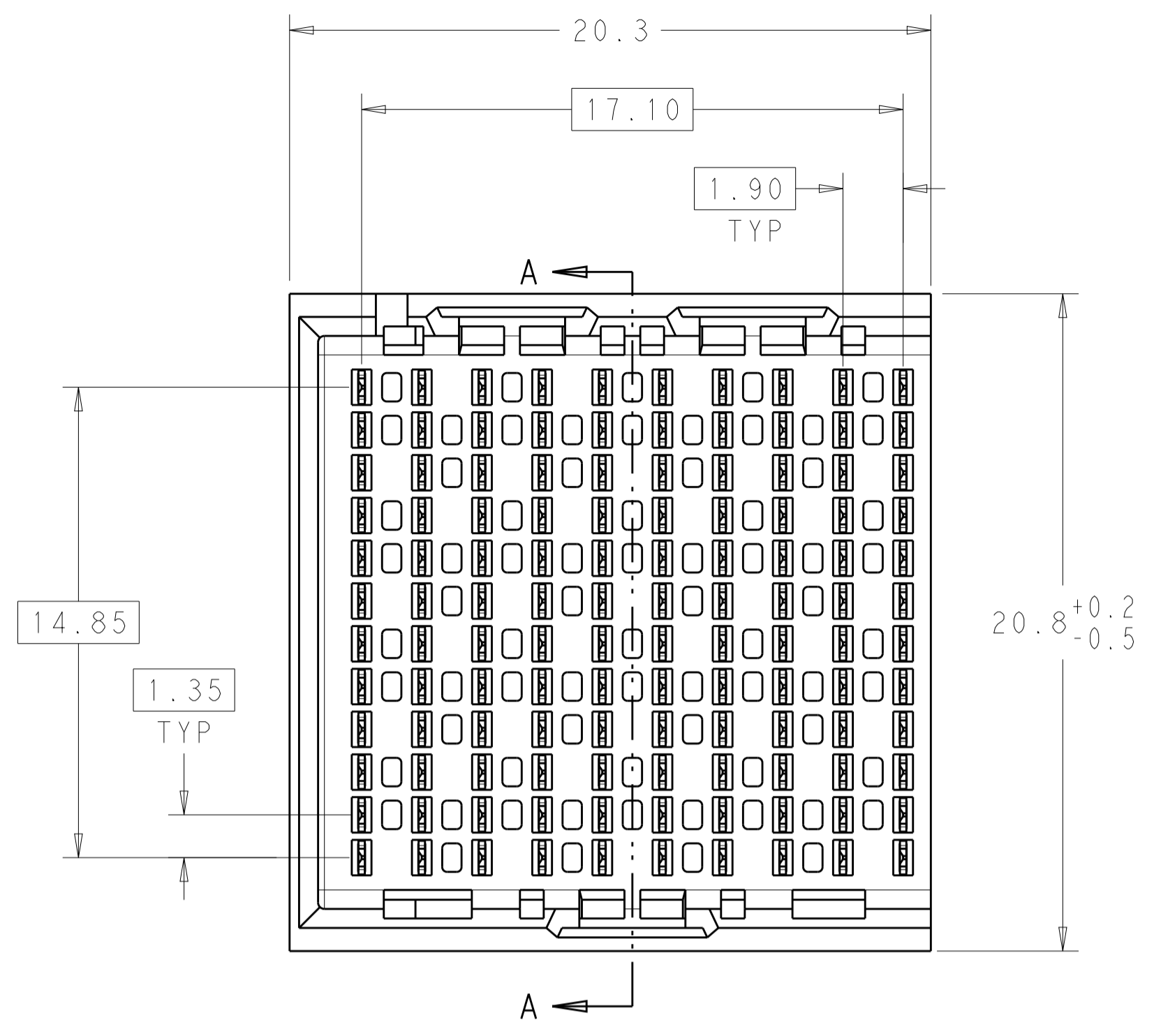
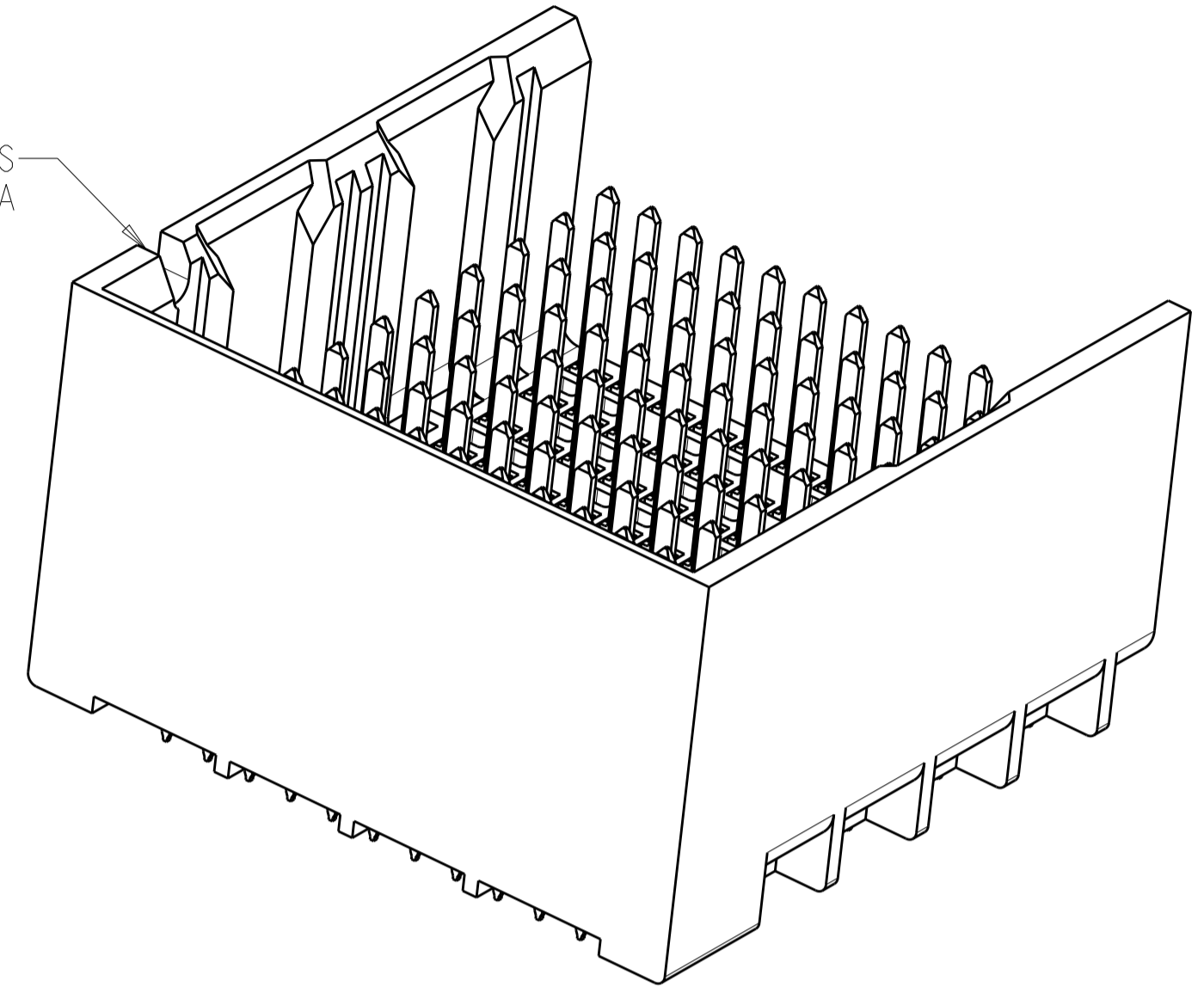


LOC		DIST		REVISIONS			
AD	00	P	LTN	DESCRIPTION	DATE	DWN	APVD
		B1		REVISED PER ECO-15-001494	04FEB2015	AP	DD

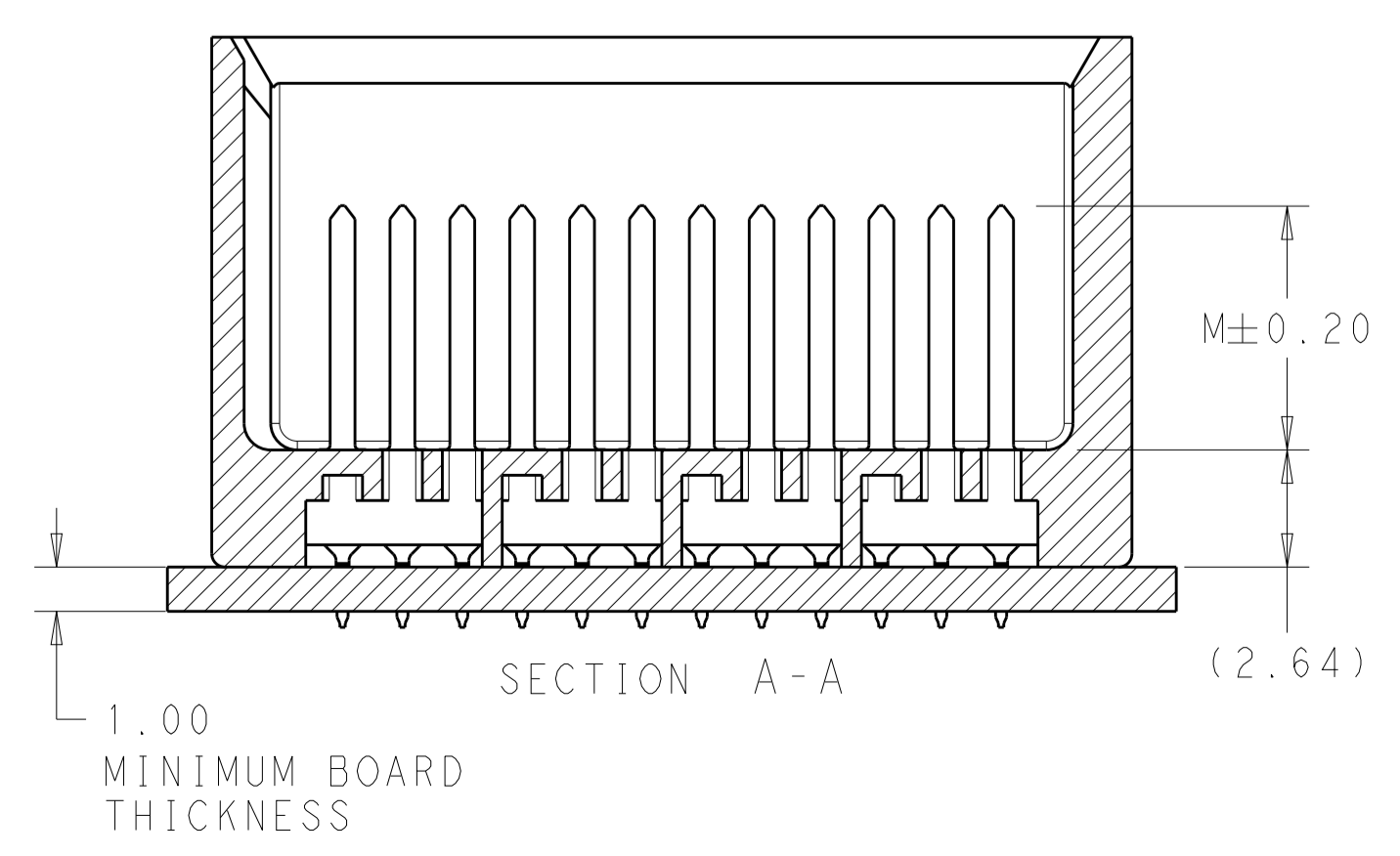
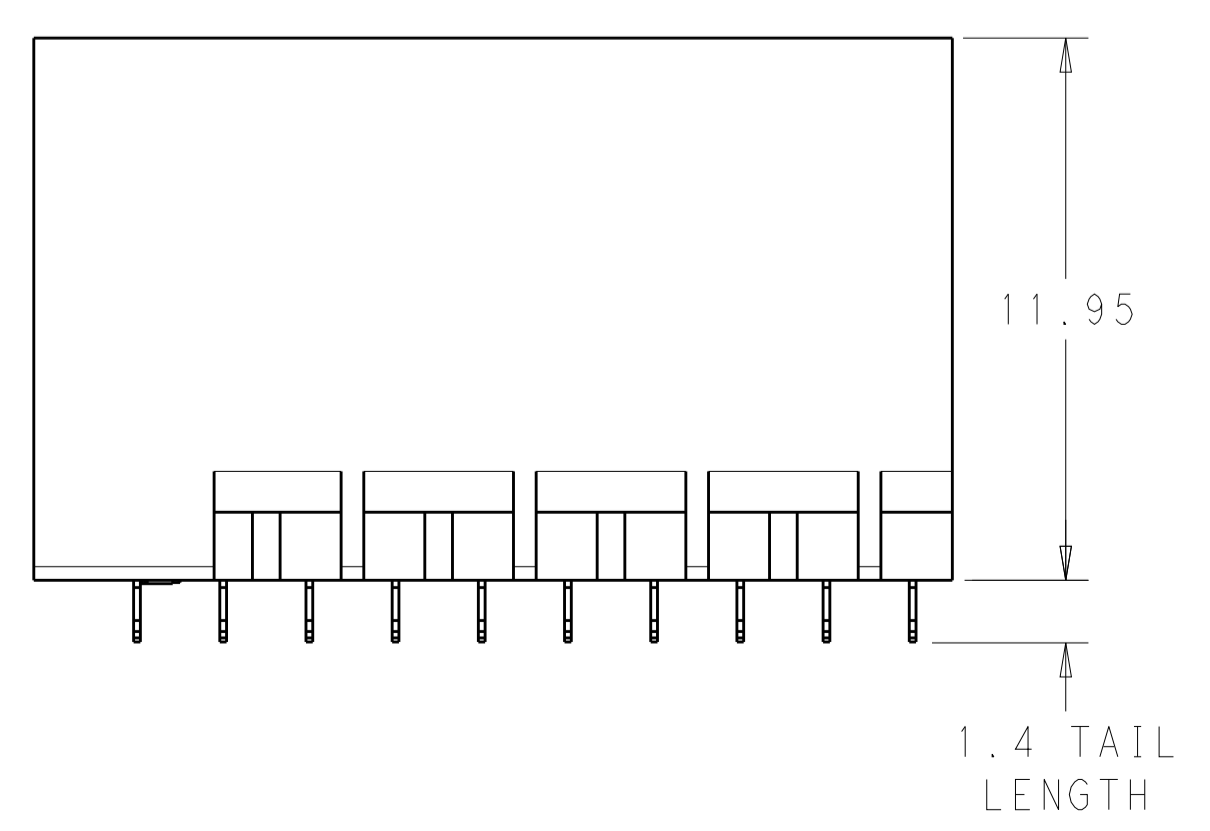
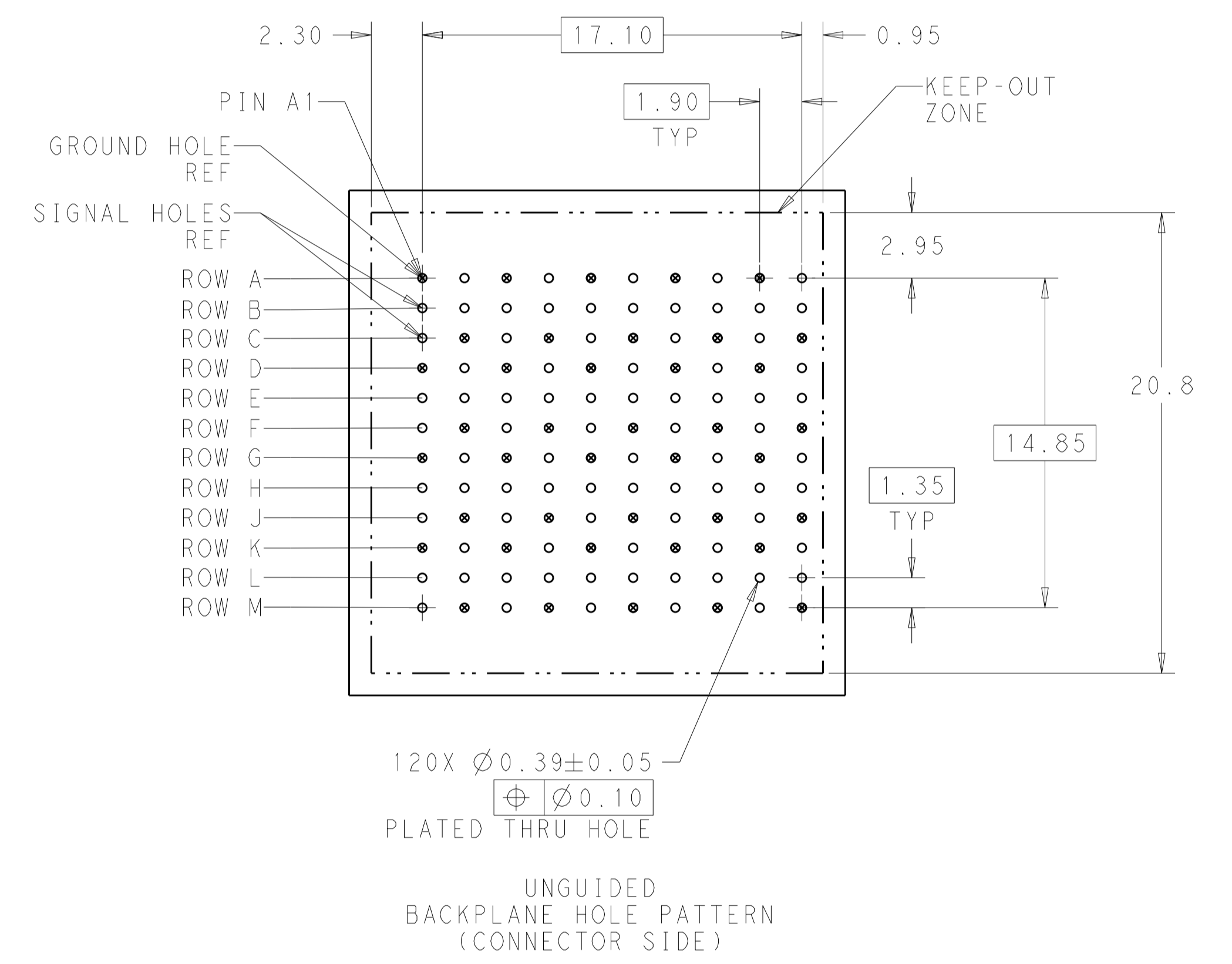


NOTCH DESIGNATES ROW A



⚠ MATERIAL:  
HOUSING: LCP, GLASS FILLED, UL94V-0.  
TERMINALS: HIGH PERFORMANCE COPPER ALLOY.

⚠ FINISH:  
30μ" MIN GOLD IN CONTACT AREA. SELECTIVE TIN ON PCB TAILS, NICKEL OVERALL.



THIS DRAWING IS A CONTROLLED DOCUMENT.		DWN	J. K. SHOBER	13JAN2011	 TE Connectivity
DIMENSIONS:		CHK	J. EARY	13JAN2011	
mm	0 PLC ±	APVD	J. EARY	13JAN2011	NAME IMPACT, 4 PAIR, 10 COLUMN, HEADER UNGUIDED, LEFT END WALL SIGNAL MODULE, 0.39 PTH
	1 PLC ±0.25	PRODUCT SPEC			
	2 PLC ±0.13	APPLICATION SPEC			SIZE CAGE CODE DRAWING NO RESTRICTED TO A100779 ©=2007821
	3 PLC ±	WEIGHT			
	4 PLC ±	CUSTOMER DRAWING			SCALE 6:1 SHEET 1 OF 2 REV B1
	ANGLES ±				
MATERIAL	FINISH SEE TABLE				

THIS DRAWING IS UNPUBLISHED.	RELEASED FOR PUBLICATION	20
© COPYRIGHT 20	ALL RIGHTS RESERVED.	

LOC	DIST	REVISIONS					
		P	LTN	DESCRIPTION	DATE	DWN	APVD
AD	00	-		SEE SHEET 1	-	-	-

	5.5	2007821-3
	4.9	2007821-2
	4.5	2007821-1
FINISH	DIM M	PART NUMBER

REFER TO WWW.TE.COM  
FOR PRODUCT AVAILABILITY

THIS DRAWING IS A CONTROLLED DOCUMENT.		DWN	J. K. SHOBER	13JAN2011		TE Connectivity
		CHK	J. EARY	13JAN2011		
DIMENSIONS:		TOLERANCES UNLESS OTHERWISE SPECIFIED:		NAME		IMPACT, 4 PAIR, 10 COLUMN, HEADER
mm	0 PLC ±	1 PLC ±0.25	2 PLC ±0.13	3 PLC ±	4 PLC ±	UNGUIDED, LEFT END WALL
	ANGLES	FINISH	SEE TABLE	APVD	J. EARY	13JAN2011
MATERIAL	-	WEIGHT	-	APPLICATION SPEC	-	RESTRICTED TO
		CUSTOMER DRAWING		SIZE	A100779	C=2007821
		SCALE	5:1	SHEET	2	OF 2
		REV	B1			