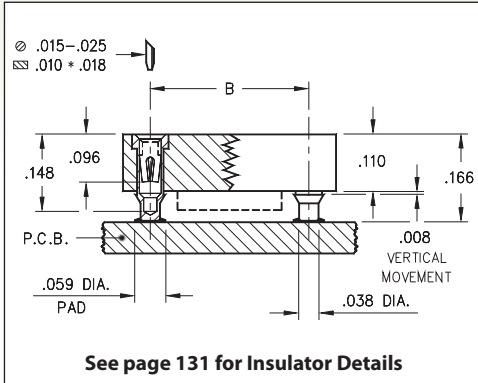
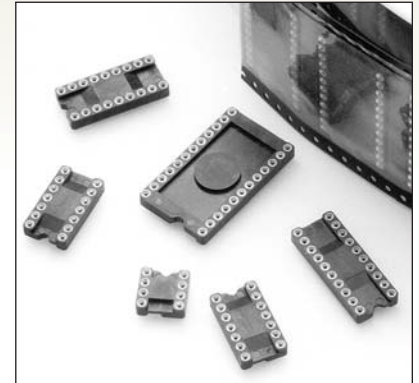


DUAL-IN-LINE SOCKETS

SERIES 214 • SURFACE MOUNT, AUTO PLACEMENT, STUB TAIL • CLOSED FRAME



- Unique floating contacts compensate for the effects of unevenly screened solder paste
- Available packaged in tubes or on tape & reel per EIA-481
- Hi-Rel, 4-finger BeCu #30 contact is rated at 3 amps. See page 253 for details
- Series 214 uses MM #1434 pins. See page 162 for details
- High temp. Nylon 46 insulator is suitable for all surface mount soldering processes. Closed frame insulator is vision system compatible
- For Electrical, Mechanical and Environmental Data, see page 264 for details



Total number of pins				Quantity per tube	ORDERING INFORMATION				
	A	B	C		Tube Packaging	Tape & Reel Packaging	Tape Width (mm)	QTY per Reel	
VACUUM PAD TOP SURFACE ONLY									
6	0.3	0.3	0.4	67	214-XX-306-01-670800	214-XX-306-01-670799	16	750	
8	0.4	0.3	0.4	50	214-XX-308-01-670800	214-XX-308-01-670799	16	1000	
14	0.7	0.3	0.4	28	214-XX-314-01-670800	214-XX-314-01-670799	32	750	
16	0.8	0.3	0.4	25	214-XX-316-01-670800	214-XX-316-01-670799	32	750	
18	0.9	0.3	0.4	22	214-XX-318-01-670800	214-XX-318-01-670799	44	750	
20	1.0	0.3	0.4	20	214-XX-320-01-670800	214-XX-320-01-670799	44	750	
VACUUM PAD TOP AND BOTTOM									
24	1.2	0.6	0.7	16	214-XX-624-01-670800	214-XX-624-01-670799	44	400	
28	1.4	0.6	0.7	14	214-XX-628-01-670800	214-XX-628-01-670799	56	400	
32	1.6	0.6	0.7	12	214-XX-632-01-670800	214-XX-632-01-670799	56	400	
40	2.0	0.6	0.7	10	214-XX-640-01-670800	NOT AVAILABLE			
 XX=Plating Code See Below									
SPECIFY PLATING CODE XX =								99	44
Sleeve (Pin)								200 μ" Sn/Pb	200 μ" Sn
Contact (Clip)								100 μ" Sn/Pb	100 μ" Sn