



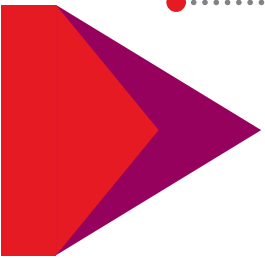
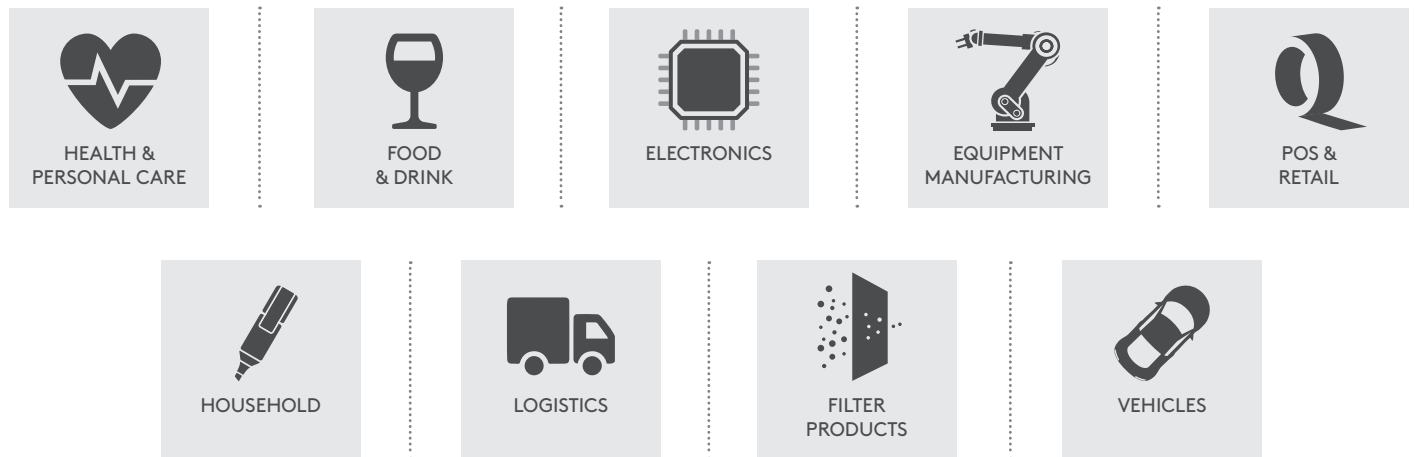
ESSENTRA

WELCOME TO ESSENTRA

We are global manufacturers and distributors of vital component parts for hundreds of markets and thousands of products. We're proud of what we do and believe that even the smallest products have a big part to play.



OUR KEY MARKETS



GLOBAL REACH WITH A LOCAL TOUCH

We bring together the best products, ideas and distribution.

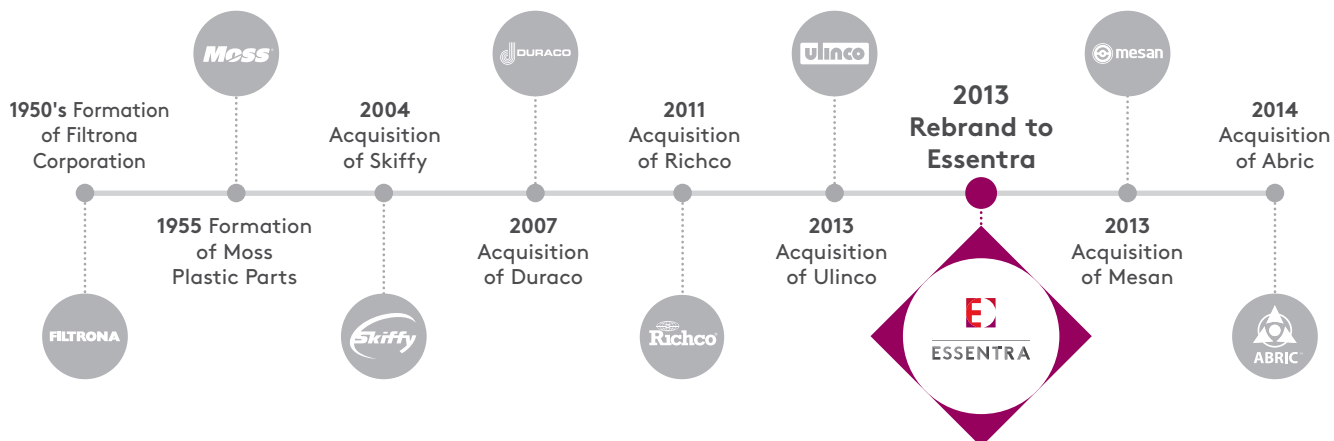


Our network includes **69** principal manufacturing facilities



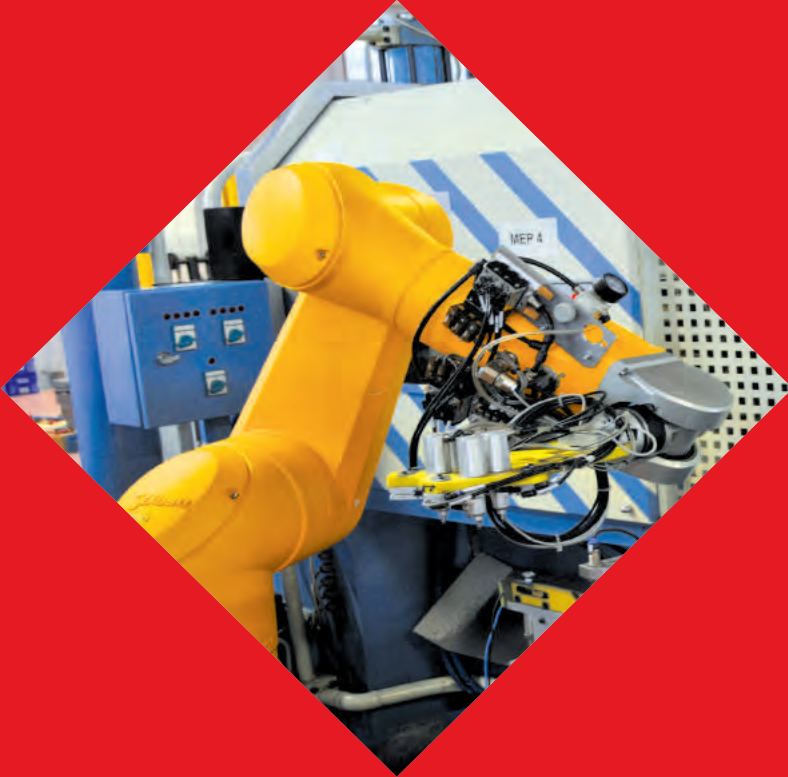
WHO IS ESSENTRA COMPONENTS?

WHETHER YOU HAVE A GLOBAL OR LOCAL PERSPECTIVE, OUR COMBINED REACH AND COLLECTIVE INSIGHT CREATES SOLUTIONS DESIGNED FOR YOU





R&D AND PRODUCTION



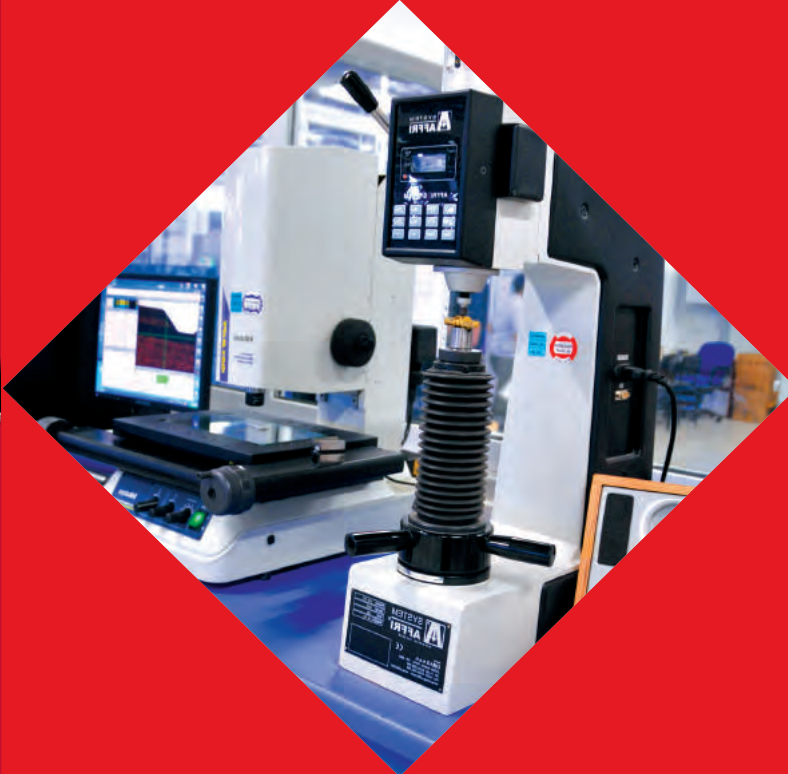
Essentra Access Solutions develop high-performance, innovative, ergonomic customer-oriented products, sensitive to the environment and human health, and which comply with national and international standards.

Our products are developed with the current and future needs of our customers in mind. Our main objective is to be a solutions partner for our customers, by delivering a full range of products with different styling, colours, materials and functionality.

We're committed to continually improving our products and helping our customers realise their full potential. As Essentra, we will continue to use our innovative technology and global distribution network to deliver the highest value to our customers.



QUALITY



We understand that continuous improvement in all of our processes drives customer satisfaction. We ensure our products meet customer expectations, and technical and legal requirements.

Our quality system is ISO 9001-2008 certified and our products are manufactured to comply with RoHS standards. We meet our obligations concerning the Registration, Evaluation, Authorisation, and Restriction of Chemicals (REACH).

We commit to:

- Products with superior quality
- A lean manufacturing approach to identify and eliminate waste
- Continuous development of our processes
- Providing a modern, safe and peaceful working environment for our employees
- Leading the industry with innovative concepts
- Designing and manufacturing high value-added products, delivering them on time at reasonable prices
- Ethical values and being sensitive to the environment



AREAS OF EXPERTISE

ELECTRICAL ENCLOSURES



A wide range of locks, hinges and accessories for indoor and outdoor cabinets, all with excellent security

IT ENCLOSURES



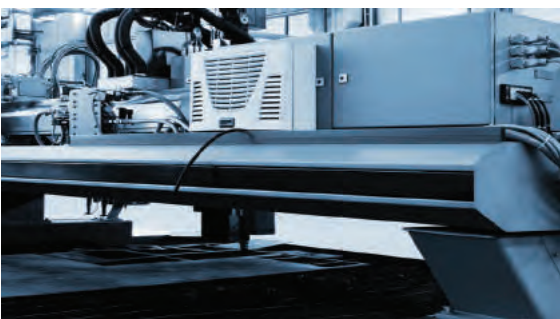
High-security products that protect an organisation's data

GENERATORS-COMPRESSORS



Heavy-duty products with numerous benefits including noise isolation and reducing vibration

INDUSTRIAL MACHINERY



Cost-effective machine safety products that provide real value

YOUR SOLUTIONS PARTNER

HVAC



Designed for sealed cabinets to control temperature and humidity

RAILWAY



Solutions that reduce vibration and noise

TRANSPORTATION



Heavy-duty products made to last

FURNITURE



Combines easy operation and stylish design



HERO PRODUCTS

Locks

Hinges

Gaskets

Handles

Stainless Steel Products

Electronic

p17



p68



p82



p110



p144-149



p169



p215



p241



p254



p274



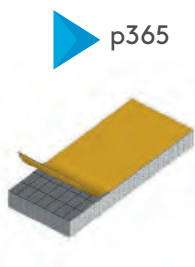
p302



p330



▶ Locks
 ▶ Hinges
 ▶ Gaskets
 ▶ Handles
 ▶ Stainless Steel Products
 ▶ Electronic

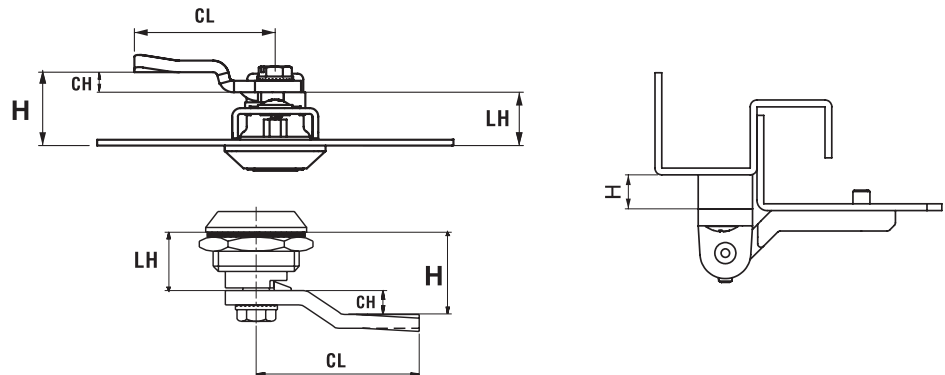


PRODUCT CODE DESCRIPTIONS

DESCRIPTIONS	MATERIALS AND FINISH OPTIONS
 GROUP CODE	<p>M MATERIAL</p> <p>1 Zamak 2 Plastic 3 Brass 4 Stainless steel 5 Aluminium 6 Steel</p> <p>F FINISH</p> <p>0 No finish 1 Chrome 2 Black coated 3 Zinc plated 7 Matt anodized</p>
M MATERIAL	
F FINISH	
DD CYLINDER - DRIVER	
CC CAM	
V VERSION	
DT DOOR THICKNESS	
L LENGTH	
H HEIGHT	
LH HOUSING LENGTH	
P PIN	
001 RIGHT HAND	
002 LEFT HAND	
1 OPTIONAL/IP 65	
1 OPTIONAL/PADLOCK HASP	
2 OPTIONAL/DUST CAP	
12 OPTIONAL/PADLOCK HASP + DUST CAP	
EXAMPLE PRODUCT CODE	
<p>062 - 1 - 2 - 42</p> <p>↓ ↓ ↓ ↓</p> <p>062 - M - F - CC</p> <p>GROUP CODE MATERIAL FINISH CAM</p>	
<p>062-1-2-42</p> <p>062 Quarter turn – wing knob 1 Zamak material 2 Black coated 42 Cam: 7x49 mm</p>	

TECHNICAL DRAWING DESCRIPTIONS

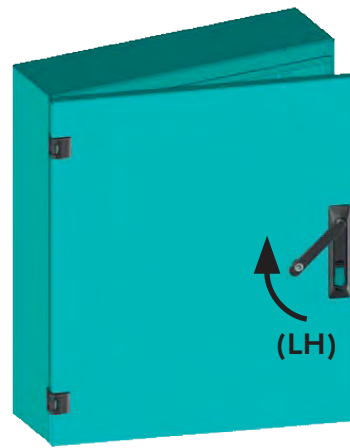
- H:** Grip
- LH:** Housing length
- CL:** Cam length
- CH:** Cam height
- L:** Length
- H:** Height



DOOR-LOCKING DIRECTIONS























Right hand



Left hand

SYMBOLS

 RoHS	RoHS Compliant		Inside gasketing application		Outside gasketing application
 IP 65	IP 65 sealing level	 IP 55	IP 55 sealing level		Foam gasketing
 LH/RH	Suitable for left or right hand	 RH	Right hand only	 LH	Left hand only
	Earthing		Padlock version		New product
	Concealed hinge		Side hinge		Corner hinge
	Flat hinge		Lift-off hinge	 2 D	Two dimensions
			Door-type Hinge	 3 D	Three dimensions

EXPLANATIONS

- * All dimensions mentioned in this catalogue are in millimetres (mm)
- * We comply with RoHS
- * Finishes comply with TS EN 12540
- * We reserve the right to make changes to product specifications without prior notice
- * Our polyamide products and EPDM gasket products can be produced as flame resistant to comply with the UL94 standard
- * All images, text and designs contained within this catalogue remain the copyright of Essentra Components

JUST A FEW OF OUR **STANDARD PRODUCTS**

FOR
EQUIPMENT
CONTROL



Vibration Mounts

Heavy Duty Fixed
Stud Leveling Foot

Soft Touch Lobe Knobs

FOR
ENCLOSURES



Grommet Strip

Push Mount Ties

Nylon Cable Glands

FOR
FASTENING



Quarter Turn &
Snap Latches

Fir Tree Fasteners

Rack Panel
Quarter Turn Fastener

AND
THERE IS MORE...



Masking Plugs

Drawing Pocket

Heavy Duty Lid Stays

REQUEST OUR FULL COMPONENTS CATALOGUE!

**OVER 35,000 STANDARD PRODUCTS
FOR FAST DISPATCH**



**Index Clamping
Handles**

**Digital Position
Indicator**

Handles

Castors

**Nylon Slide Bearings
with Flange**



Vibration Mounts

Standard Grommets

**3:1 Heat Shrink
Tubing Reels**

IP67 Grommet

Gasketing



Metal Slotted Screw

**Screw Rivet
Fasteners**

**Quarter Turn Planking
Plugs for 19" Racks**

Spacers

**Quarter Turn
Fasteners**



Hose/Wire Wrap

**Counter Screens/
Inspection Window**

Adjustable Latches

Rotary Damper Body

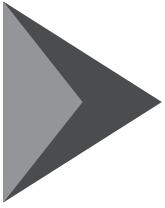
**Heavy Duty
Hoist Rings**

GO ONLINE:

- REQUEST FREE SAMPLES
- 3D CAD DRAWINGS
- ORDER ONLINE

 www.essentracomponents.co.uk





PRODUCT GROUPS



SWINGHANDLES
14 – 45



ROD-LATCH SYSTEM
46 – 79



HEAVY-DUTY LOCKS
80 – 107



MISCELLANEOUS PRODUCTS
108 – 141



CAMS, KEYS, RODS & ROD GUIDES
142 – 163



QUARTER-TURN LOCKS
164 – 211



CAM LOCKS
212 – 237



FURNITURE & STEEL CUPBOARD LOCKS
238 – 251



SIDE HINGES
252 – 263



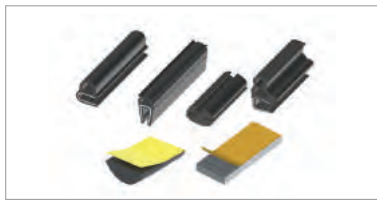
CONCEALED HINGES
264 – 297



CORNER HINGES
298 – 319



FLAT HINGES
320 – 361



GASKETS
362 – 381



HANDLES
382 – 395



ACCESSORIES
396 – 419



STAINLESS STEEL PRODUCTS
420 – 481



ELECTRONIC LOCKING SYSTEM
482 – 505



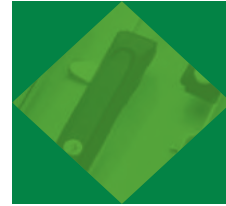


LOCKS



SWINGHANDLES

GROUP CODE	PRODUCT NAME
001	SWINGHANDLE
201	SWINGHANDLE
101	SWINGHANDLE
501	SWINGHANDLE
601	SWINGHANDLE
408	SWINGHANDLE
105	SWINGHANDLE
206	SWINGHANDLE
306	SWINGHANDLE
106	SWINGHANDLE
008	SWINGHANDLE
908	SWINGHANDLE
108	SWINGHANDLE
208	SWINGHANDLE
218	SWINGHANDLE
808	SWINGHANDLE
708	SWINGHANDLE
308	SWINGHANDLE
318	SWINGHANDLE
518	SWINGHANDLE
508	SWINGHANDLE
006	SWINGHANDLE



ESSENTRA

PAGE	
16,18	
17	
19	
20	
21	
22 - 23	
24	
25	
26	
27	
28	
29	
30 - 33	
34 - 35	
36	
37	
38 - 39	
40	
41	
42	
43	
44	



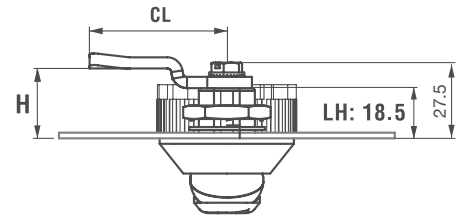
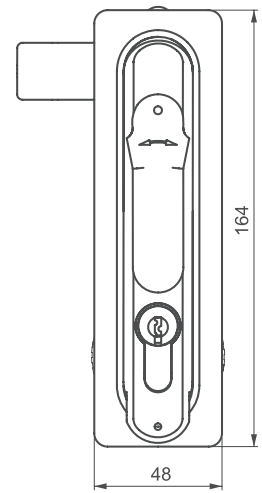
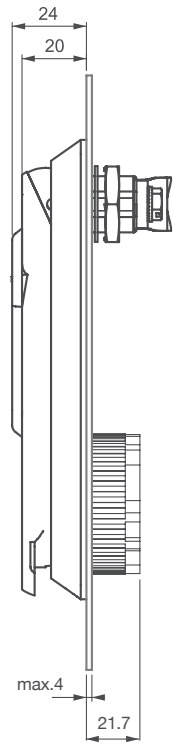
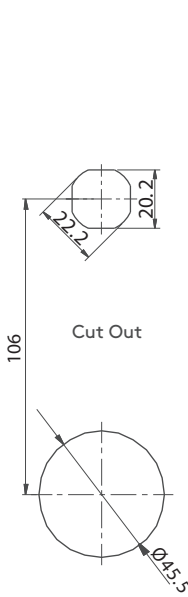
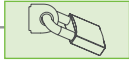
SWINGHANDLE

001



LH/RH

RoHS



- Small version: page 12
- For steel and polyester cabinets
- 40 mm Euro Profile single-cylinder fitted
- For 42 mm Euro Profile single-cylinder contact Essentra

APPLICATIONS

Electric panels, machinery covers

MATERIAL

BODY: Polyamide DIN-EN ISO 1043-1 PA6 GFR 30

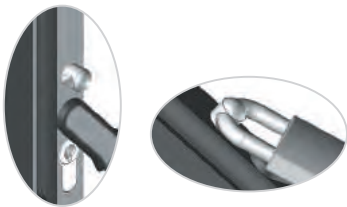
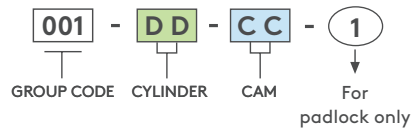
HANDLE: Polyamide DIN-EN ISO 1043-1 PA6 GFR 30

CYLINDER: Zamak DIN-EN 1774-ZnAl4Cu1

CAM: Steel

SEAL: Rubber

PRODUCT CODE



1

Padlock application

- For cams please check pages: 146 - 147
- For keys please check pages: 162 - 163
- For rods please check pages: 150- 161

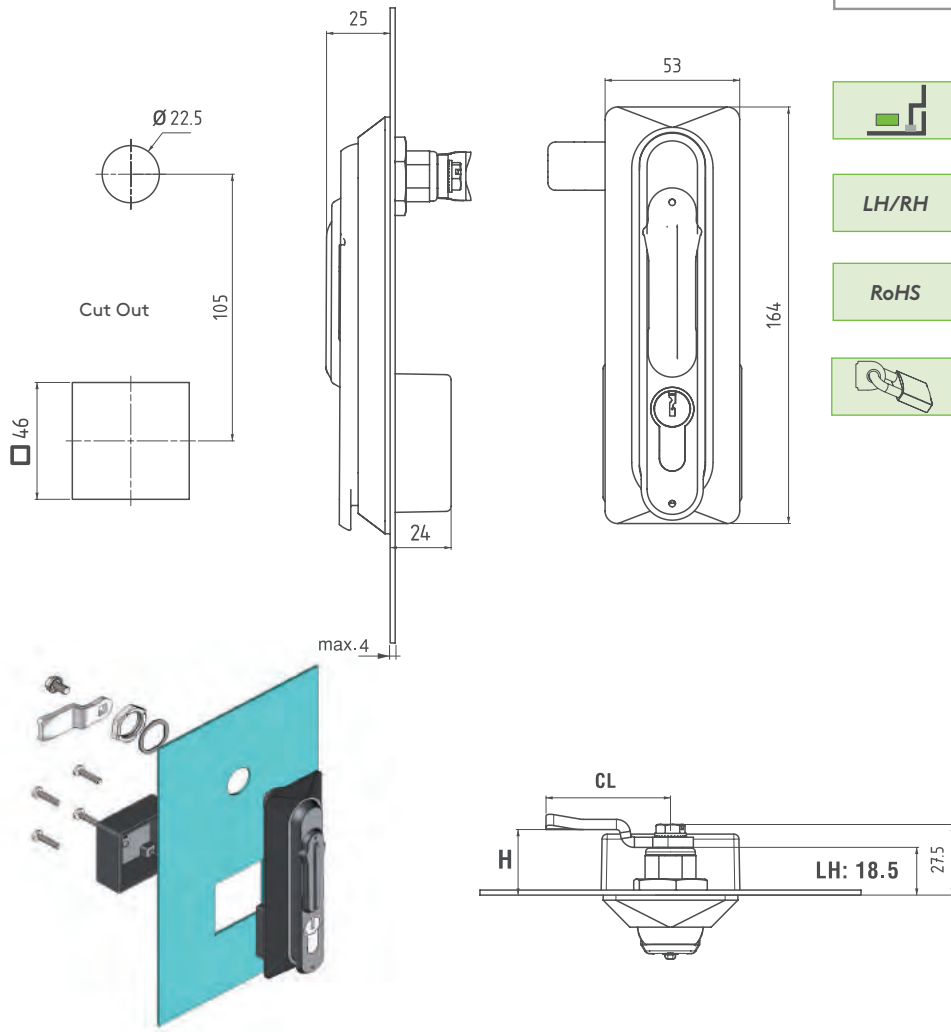
CYLINDER TYPE		DD	NO CYLINDER		DD
	Keyed alike	01		24	
	Keyed differ	02			
	Master system	04			
	Euro key (5333)	05			
	CH751 (Stainless steel dust cap)	07			

DRIVER TYPE				DD	HIGH-SECURITY CYLINDER				DD
5 mm Double bit	8 mm Square	9 mm Triangular	Eastern		Brass cylinder		Zamak cylinder		
15	28	39	91		20	21	22	23	



201

SWINGHANDLE



-
- LH/RH**
-
- RoHS**
-



- For steel and polyester cabinets
- 40 mm Euro Profile single-cylinder fitted
- For 42 mm Euro Profile single-cylinder contact Essentra

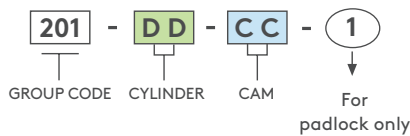
APPLICATIONS

Electric panels, machinery covers

MATERIAL

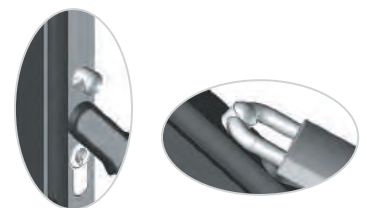
- BODY:** Polyamide DIN-EN ISO 1043-1 PA6 GFR 30
- HANDLE:** Polyamide DIN-EN ISO 1043-1 PA6 GFR 30
- DUST C.:** Zamak DIN-EN 1774-ZnAl4Cu1
- CYLINDER:** Zamak DIN-EN 1774-ZnAl4Cu1
- CAM:** Steel
- SEAL:** Rubber

PRODUCT CODE



CYLINDER TYPE		DD	NO CYLINDER		DD
	Keyed alike	01		Plastic blind cylinder	24
	Keyed differ	02			
	Master system	04			
	Euro key (5333)	05			
	CH751 (Stainless steel dust cap)	07			

DRIVER TYPE				HIGH-SECURITY CYLINDER			
5 mm Double bit	8 mm Square	9 mm Triangular	Eastern	Brass cylinder	Zamak cylinder		
15	28	39	91	Keyed alike	Keyed differ	Keyed alike	Keyed differ
				20	21	22	23



1

Padlock application

- For cams please check pages: 146 - 147
- For keys please check pages: 162 - 163
- For rods please check pages: 150- 161

SWINGHANDLE

SMALL VERSION



- Large version: page 16
- For steel and polyester cabinets
- 40 mm Euro Profile single-cylinder fitted

APPLICATIONS
Electric panels, machinery covers

MATERIAL
BODY: Polyamide DIN-EN ISO 1043-1 PA6 GFR 30
HANDLE: Polyamide DIN-EN ISO 1043-1 PA6GFR 30
CYLINDER: Zamak DIN-EN 1774-ZnAl4Cu1
CAM: Steel
SEAL: Rubber

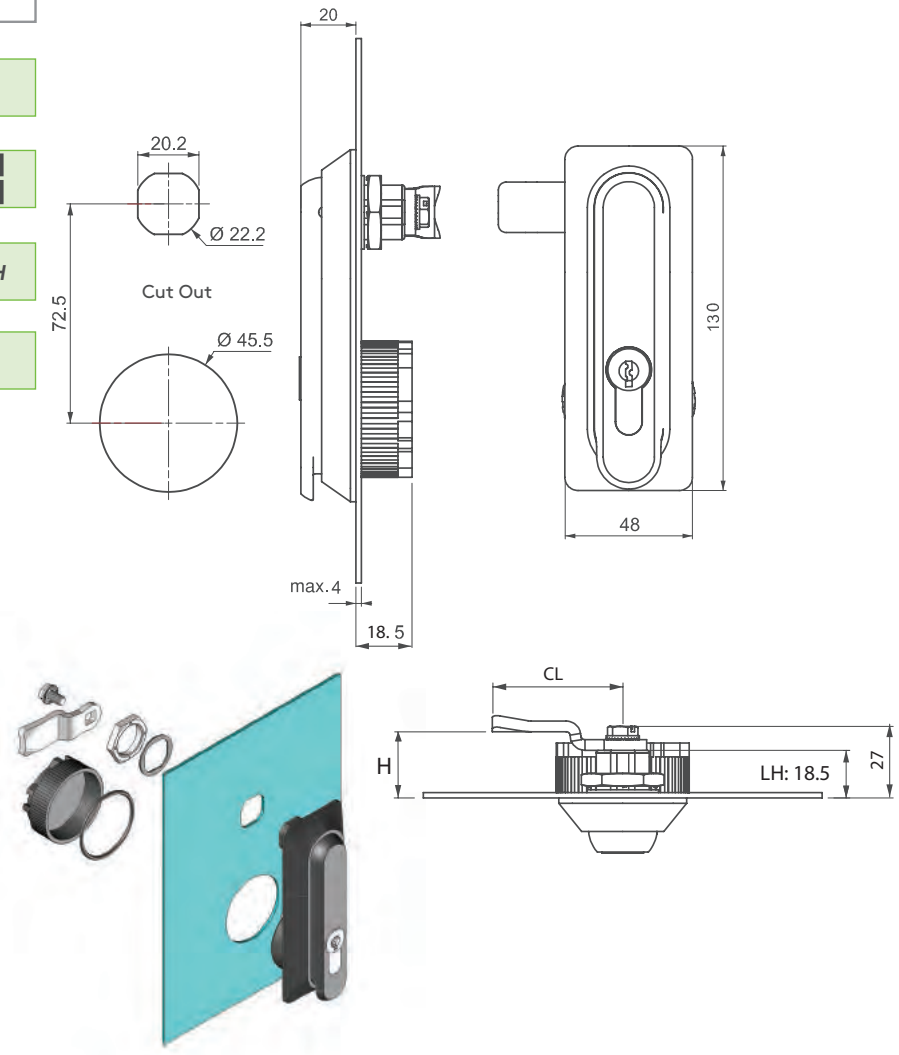
001

IP 65

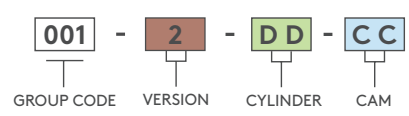


LH/RH

RoHS



PRODUCT CODE



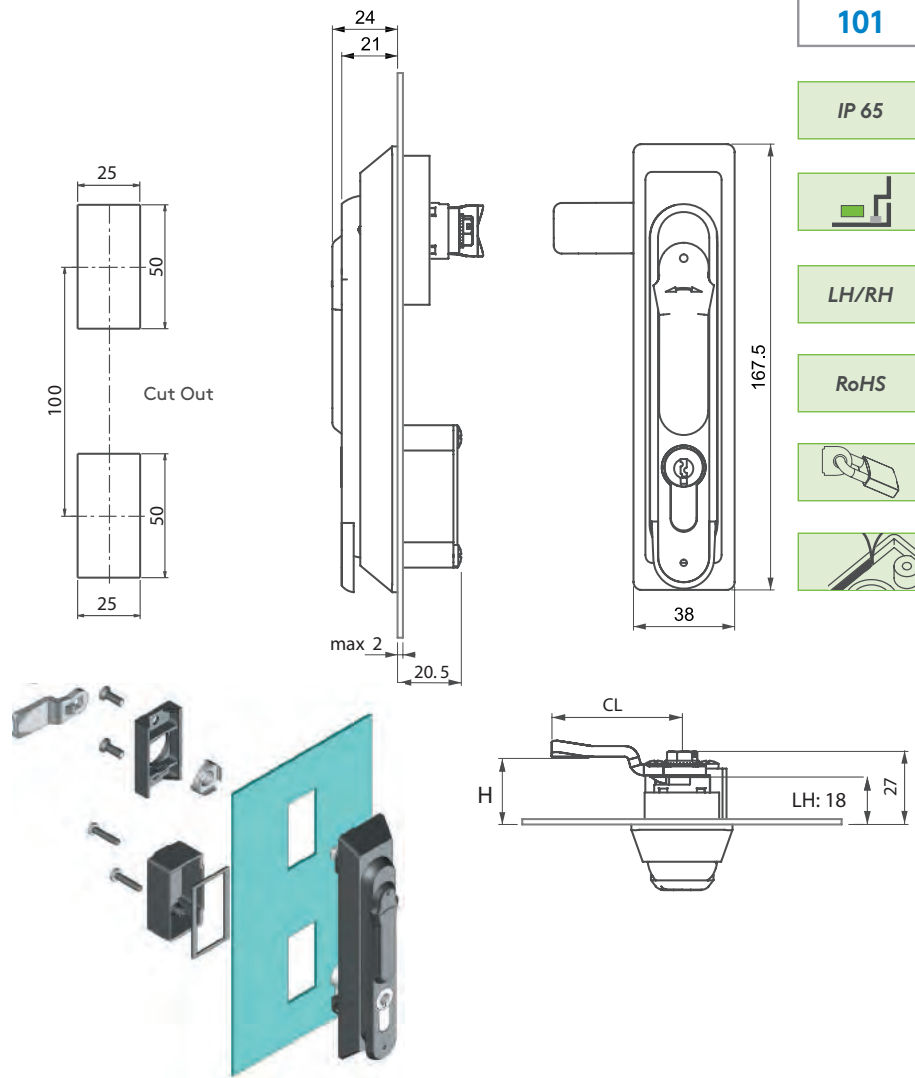
CYLINDER TYPE		DD
	Keyed alike	01
	Keyed differ	02
	Master system	04
	Euro key (5333)	05
	CH751 (Stainless steel dust cap)	07

NO CYLINDER	DD
Plastic blind cylinder	24

DRIVER TYPE			
5 mm Double bit	8 mm Square	9 mm Triangular	Eastern
15	28	39	91

HIGH-SECURITY CYLINDER			
Brass cylinder		Zamak cylinder	
Keyed alike	Keyed differ	Keyed alike	Keyed differ
20	21	22	23

- For cams please check pages: 146 - 147
- For keys please check pages: 162 - 163
- For rods please check pages: 150- 161



101

SWINGHANDLE

- IP 65
-
- LH/RH
- RoHS
-
-



- Swinghandle for steel and polyester cabinets
- 40 mm Euro Profile single-cylinder fitted
- Padlockable version available
- For 42 mm Euro Profile single-cylinder contact Essentra

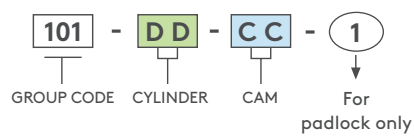
APPLICATIONS

Electric panels, machinery covers

MATERIAL

- BODY: Polyamide DIN-EN ISO 1043-1 PA6 GFR 30
- HANDLE: Polyamide DIN-EN ISO 1043-1 PA6 GFR 30
- CYLINDER: Zamak DIN-EN 1774-ZnAl4Cu1
- CAM: Steel
- SEAL: Polyurethane

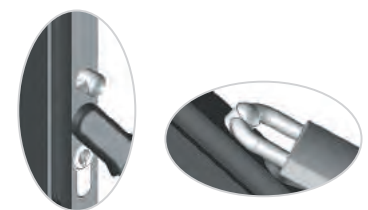
PRODUCT CODE



CYLINDER TYPE		DD
	Keyed alike	01
	Keyed differ	02
	Master system	04
	Euro key (5333)	05
	CH751 (Stainless steel dust cap)	07

NO CYLINDER	DD
Plastic blind cylinder	24

DRIVER TYPE				HIGH-SECURITY CYLINDER			
5 mm Double bit	8 mm Square	9 mm Triangular	Eastern	Brass cylinder	Zamak cylinder		
15	28	39	91	Keyed alike	Keyed differ	Keyed alike	Keyed differ
				20	21	22	23



1

Padlock application

- For cams please check pages: 144 - 145
- For keys please check pages: 162 - 163
- For rods please check pages: 150- 161

SWINGHANDLES

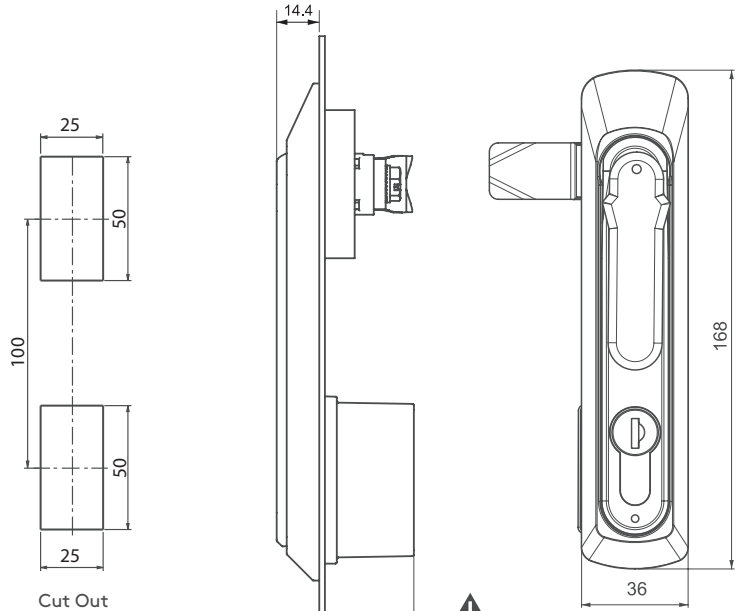


SWINGHANDLE

501

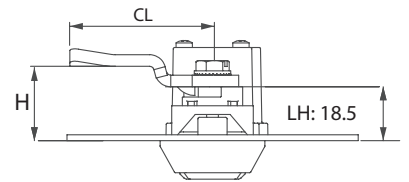
ALL IN METAL

- IP 65
- LH/RH
- RoHS



Cut Out

25.5 : Zamak cylinder
32 : Brass cylinder



- Stainless steel version: page 423
- Die-cast construction stronger than polyamide
- Thin external profile, 14.4 mm, for flush appearance
- High-security, brass, Euro Profile single-cylinder available
- Dust cap available
- Padlockable version available
- For customised colours contact Essentra

APPLICATIONS

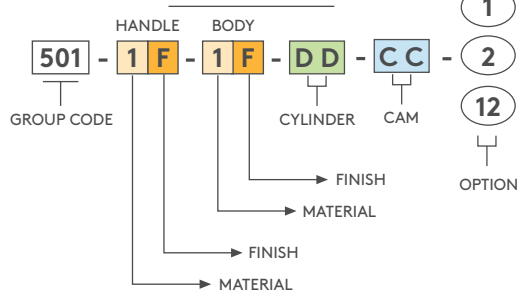
Electric panels, machinery covers

MATERIAL

BODY: Zamak DIN-EN 1774-ZnAl4Cu1
HANDLE: Zamak DIN-EN 1774-ZnAl4Cu1
CAM: Steel
SEAL: Polyurethane
Padlock HASP: Stainless steel

Note: Special espagnolette cam should be used for this application. Please check page 159.

PRODUCT CODE



MATERIAL	M	FINISH	F
Zamak	1	Chrome	1
		Black coated	2

ZAMAK CYLINDER	DD
Stainless steel dust cap (Keyed alike)	03
Stainless steel dust cap (Keyed differ)	32
CH751 (Stainless steel dust cap)	07

BRASS CYLINDER	DD
No cylinder	00
Keyed alike	11

HIGH-SECURITY CYLINDER			
Brass cylinder		Zamak cylinder	
Keyed alike	Keyed differ	Keyed alike	Keyed differ
20	21	22	23

- For cams please check pages: 144 - 145
- For rods please check pages: 150 - 161
- For keys please check pages: 162 - 163



601

SWINGHANDLE

ALL IN METAL

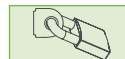
IP 65



LH/RH



RoHS



- All metal construction
- Swinghandle for steel and polyester cabinets
- 40 mm Euro Profile single -cylinder fitted
- Improved corrosion resistance
- High-security, brass, Euro Profile single-cylinder available

APPLICATIONS

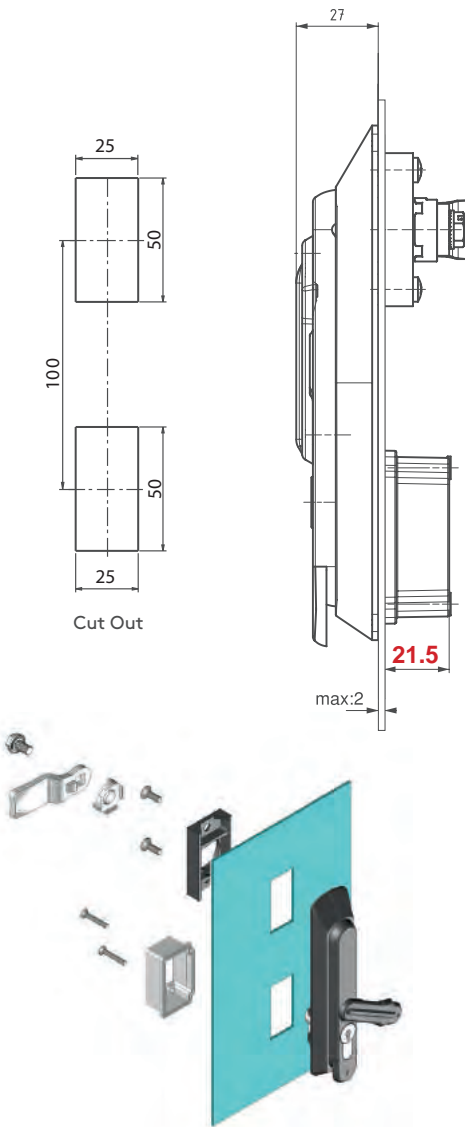
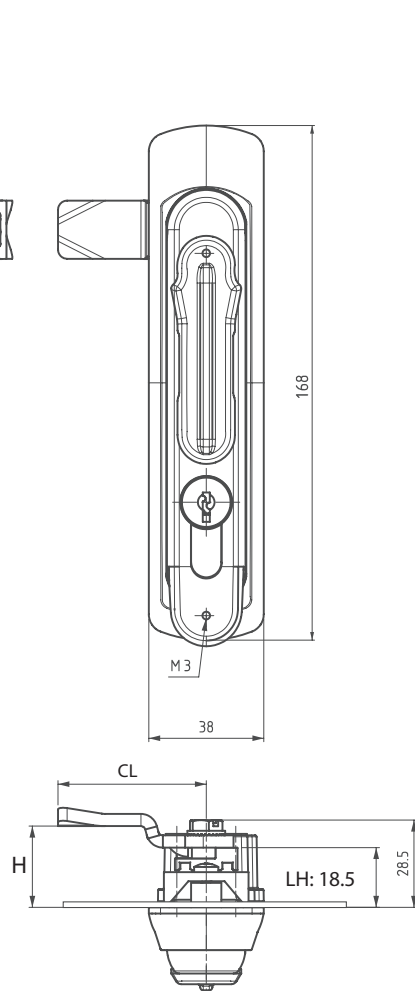
Electric panels, outdoor cabinets

MATERIAL

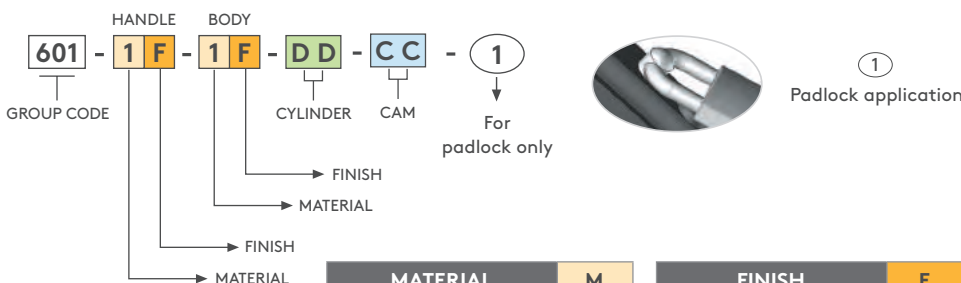
- BODY:** Zamak DIN-EN 1774-ZnAl4Cu1
- HANDLE:** Zamak DIN-EN 1774-ZnAl4Cu1
- COVER:** Zamak DIN-EN 1774-ZnAl4Cu1
- SEAL:** Polyurethane

1

Padlock application



PRODUCT CODE



MATERIAL	M
Zamak	1

FINISH	F
Chrome	1
Black coated	2

ZAMAK CYLINDER	DD
Stainless steel dust cap (Keyed alike)	03
Stainless steel dust cap (Keyed differ)	32
CH751 (Stainless steel dust cap)	07

BRASS CYLINDER	DD
No cylinder	00
Keyed alike	11

HIGH-SECURITY CYLINDER			
Brass cylinder		Zamak cylinder	
Keyed alike	Keyed differ	Keyed alike	Keyed differ
20	21	22	23

- For cams please check pages: 144 - 145
- For rods please check pages: 150- 161
- For keys please check pages: 162 - 163

SWINGHANDLES

SWINGHANDLE

408

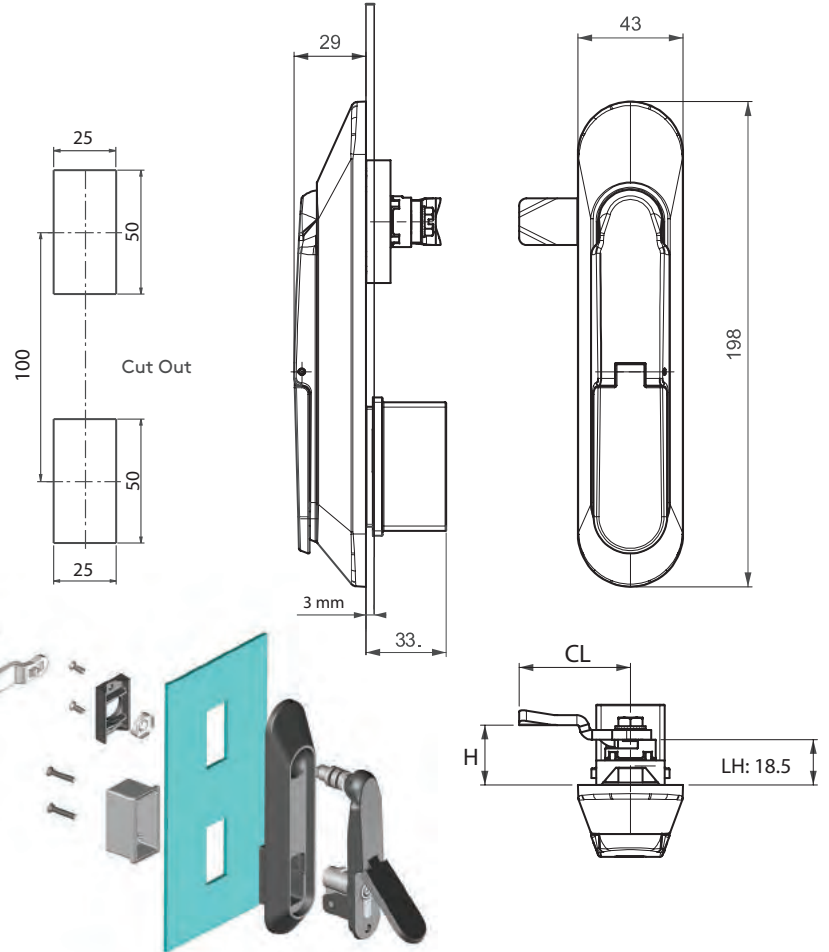
ALL IN METAL



IP 66

LH/RH

RoHS



- All metal construction
- Special geometry protects against vandalism
- Double o-ring handle improves IP rating
- High-security cylinder alternative available
- Improved IP rating with moving dust cap

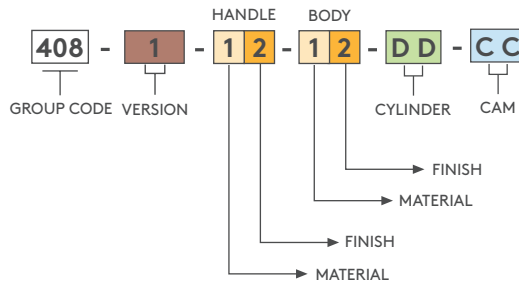
APPLICATIONS

Electric panels, outdoor cabinets

MATERIAL

BODY: Zamak DIN-EN 1774-ZnAl4Cu1
HANDLE: Zamak DIN-EN 1774-ZnAl4Cu1
CAM: Steel
SEAL: Polyurethane
COVER: Zamak DIN-EN 1774-ZnAl4Cu1

PRODUCT CODE



CYLINDER TYPE		DD
	Keyed alike	01
	Keyed differ	02
	Master system	04
	Euro key (5333)	05
	CH751 (Stainless steel dust cap)	07

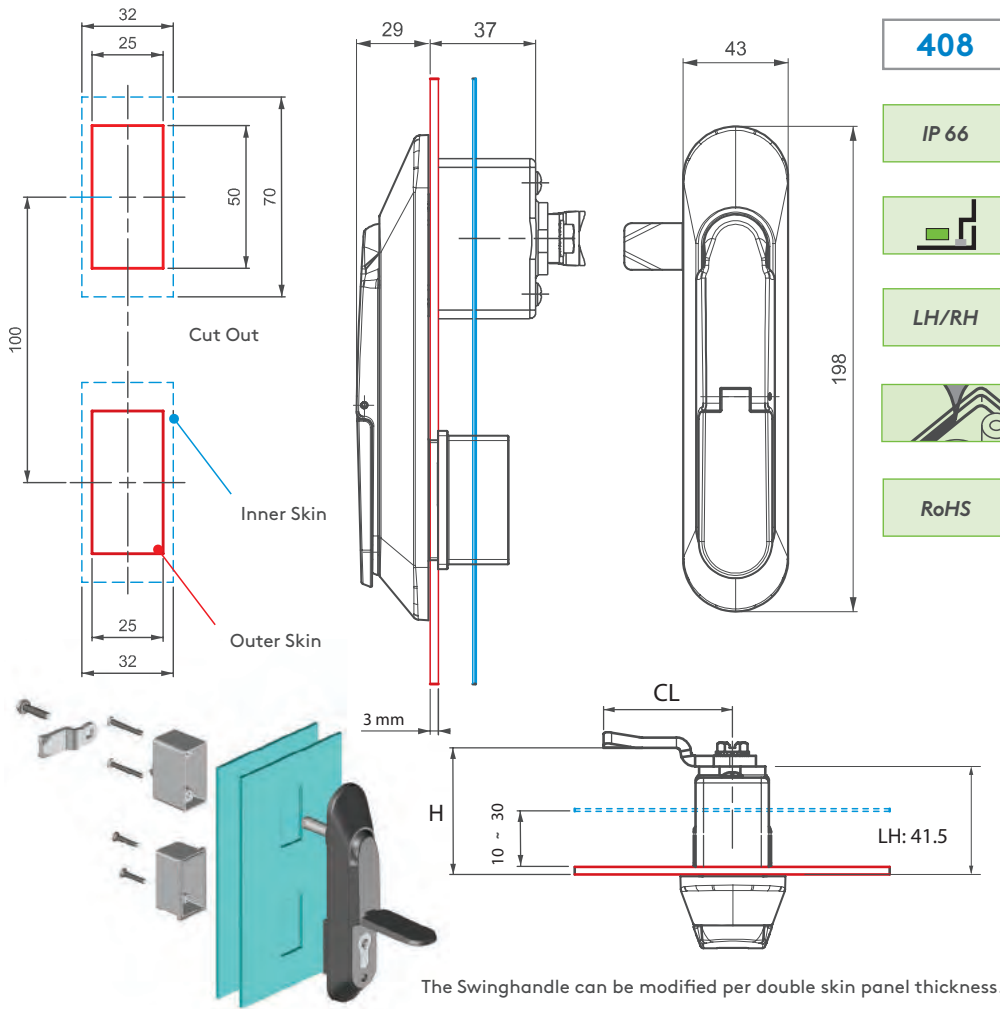
MATERIAL	M
Zamak	1

FINISH	F
Black coated	2

DRIVER TYPE			
5 mm Double bit	8 mm Square	9 mm Triangular	Eastern
15	28	39	91

HIGH-SECURITY CYLINDER	
Zamak cylinder	
Keyed alike	Keyed differ
22	23

- For cams please check pages: 144 - 145
- For rods please check pages: 150- 161
- For keys please check pages: 162 - 163



The Swinghandle can be modified per double skin panel thickness.

- 408**
- IP 66
- LH/RH
- RoHS

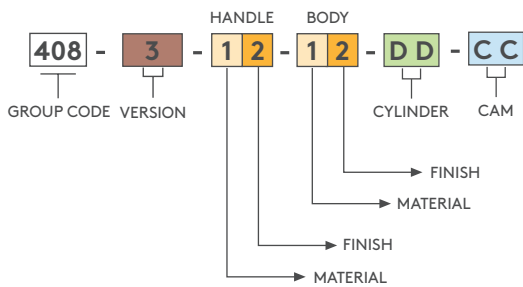
SWINGHANDLE

ALL IN METAL



- All metal construction
- Special geometry for protection against vandalism
- Double o-ring handle improves IP rating
- High-security cylinder alternative
- Improves IP rating with moving dust cap

PRODUCT CODE



MATERIAL	M
Zamak	1


FINISH	F
Black coated	2





APPLICATIONS

Electric panels, Outdoor cabinets




MATERIAL

- BODY:** Zamak DIN-EN 1774-ZnAl4Cu1
- HANDLE:** Zamak DIN-EN 1774-ZnAl4Cu1
- CAM:** Steel
- SEAL:** Polyurethane
- COVER:** Zamak DIN-EN 1774-ZnAl4Cu1

CYLINDER TYPE		DD
	Keyed alike	01
	Keyed differ	02
	Master System	04
	Euro Key (5333)	05
	CH751 (Stainless steel dust cap)	07

DRIVER TYPE			
5 mm Double bit	8 mm Square	9 mm Triangular	Eastern
			
15	28	39	91

HIGH SECURITY CYLINDER	
Zamak cylinder	
	
Keyed alike	Keyed differ
22	23

-  For cams please check pages: 144 - 145
-  For rods please check pages: 150- 161
-  For keys please check pages: 162 - 163

SWINGHANDLE

105

ALL IN METAL

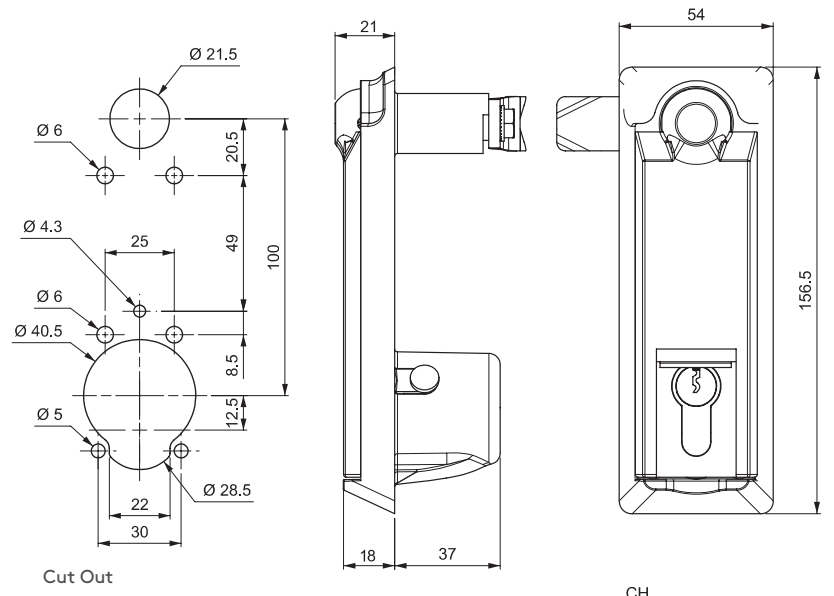


IP 65

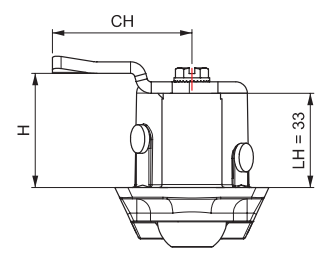
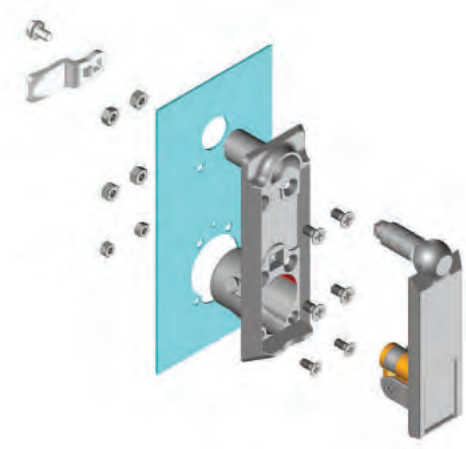


LH/RH

RoHS



Cut Out

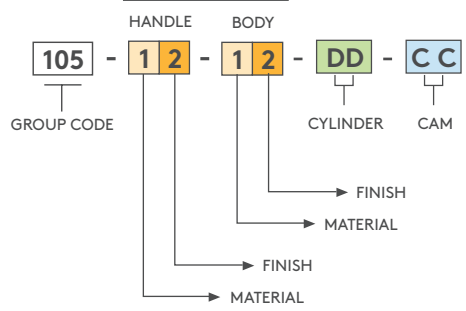



- All metal construction
- Improved corrosion resistance
- Double o-ring used for handle provides improved IP rating
- High security cylinder alternative
- Better IP rating with moving dust cap



APPLICATIONS
Outdoor cabinets

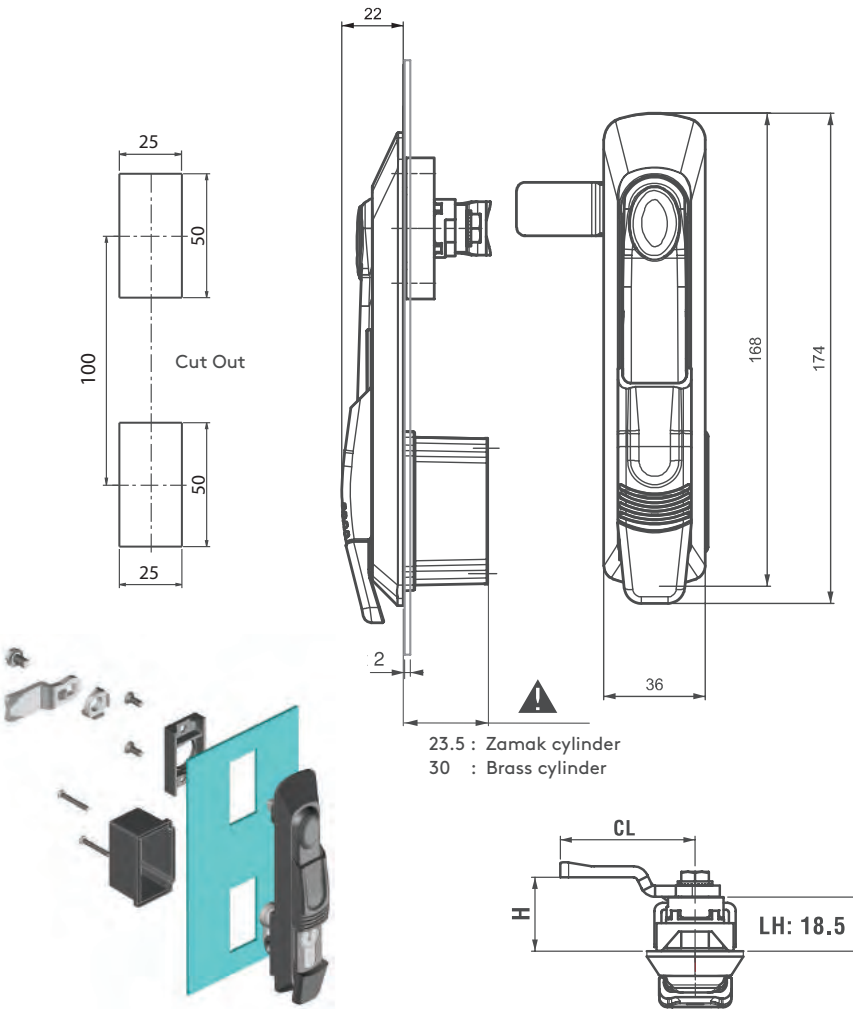
MATERIAL
 BODY: Zamak DIN-EN 774-ZnAl4Cu13
 HANDLE: Zamak DIN-EN 1774-ZnAl4Cu1
 CAM: Stainless Steel
 SEAL: Polyurethane
 DUST CAP: Stainless Steel

PRODUCT CODE



BRASS CYLINDER		DD
	No Cylinder	00
	Keyed Alike	11

 For cams please check pages: 144 - 145
 For rods please check pages: 150- 161



- 206
- IP 65
- LH/RH
- RoHS

SWINGHANDLE



- Sliding dust cover
- Ergonomic handle
- Padlockable version available
- 40 mm Euro Profile cylinder fitted

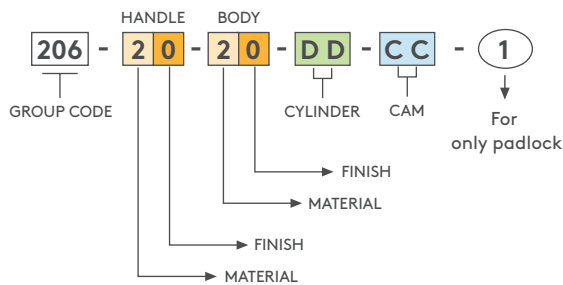
APPLICATIONS

Electric panels, machinery covers, rack cabinets

MATERIAL

BODY: Polyamide DIN-EN ISO 1043-1 PA6 GFR 30
HANDLE: Zamak DIN-EN 774-ZnAl4Cu13
 Polyamide DIN-EN ISO 1043-1 PA6 GFR 30
CAM: Steel
SEAL: Polyurethane

PRODUCT CODE



CYLINDER TYPE		DD
	Keyed alike	01
	Keyed differ	02
	Master system	04
	Euro key (5333)	05
	CH751 (Stainless steel dust cap)	07

DRIVER TYPE			
5 mm Double bit	8 mm Square	9 mm Triangular	Eastern
15	28	39	91

NO CYLINDER	DD
Plastic blind cylinder	24



1

Padlock application
 Special sliding cover is available for padlockable version

- For cams please check pages: 144 - 145
- For rods please check pages: 150- 161
- For keys please check pages: 162 - 163



SWINGHANDLE

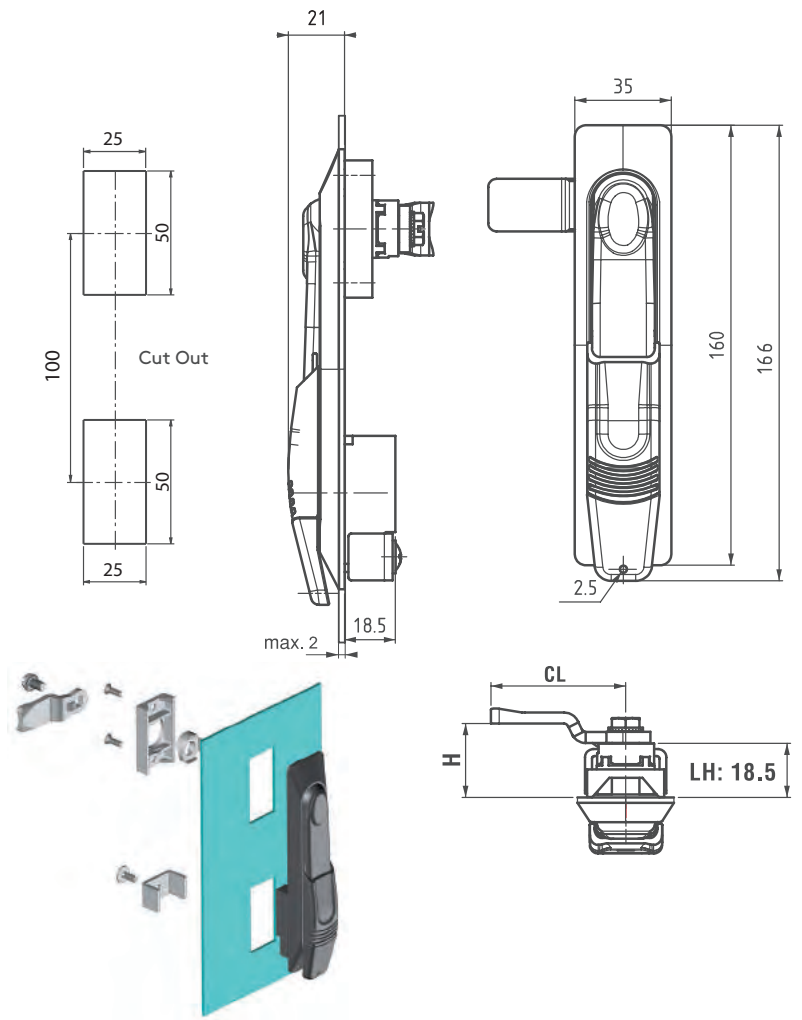
306

- IP 65
- LH/RH
- RoHS

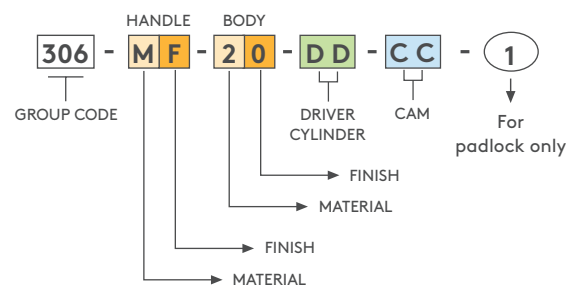
- Sliding dust cover
- Ergonomic handle
- Padlockable version available

APPLICATIONS
Electric panels, machinery covers, rack cabinets

MATERIAL
BODY: Polyamide DIN-EN ISO 1043-1 PA6 GFR 30
HANDLE: PA6 GFR 30 or Zamak
CAM: Steel - PA6 GFR 30
SEAL: Polyurethane



PRODUCT CODE



Padlock application
Special sliding cover is available for padlockable version

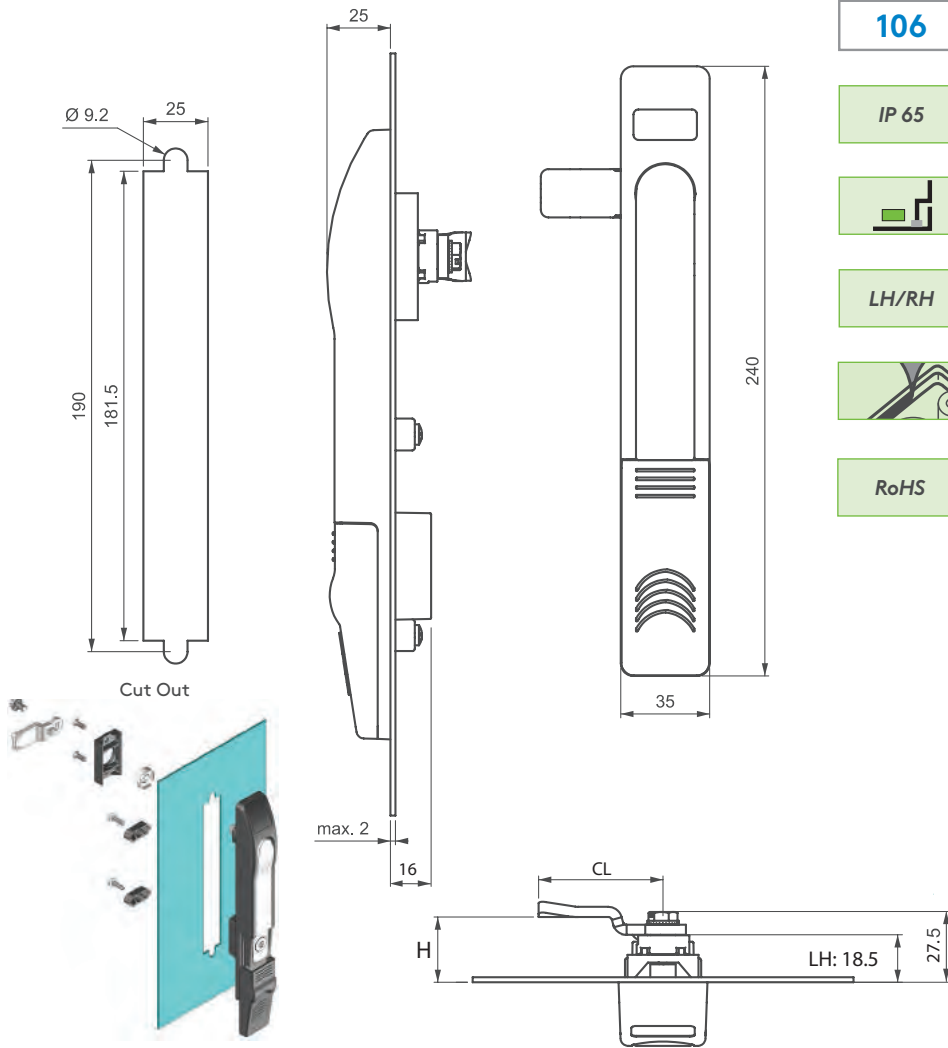
For cams please check pages: 144 - 145
 For rods please check pages: 150- 161

DRIVERS		
5 mm Double bit	8 mm Square	9 mm Triangular
15	28	39

MATERIAL	M
Zamak	1
Plastic	2

FINISH	F
Chrome	1
Black coated	2

CYLINDER TYPE		DD
	Keyed alike	01
	Keyed differ	02
	Stainless steel dust cap (Keyed alike)	03
	Stainless steel dust cap (Keyed differ)	32
	Euro key (5333)	05
	CH751 (Stainless steel dust cap)	07



- 106
- IP 65
-
- LH/RH
-
- RoHS

SWINGHANDLE

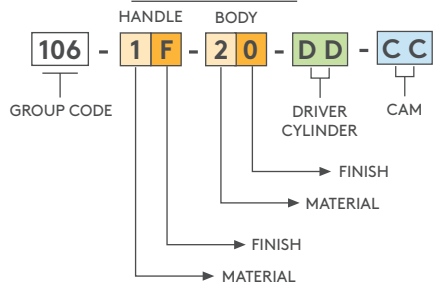


- More suitable for indoor applications
- Spring-loaded, slam-action swinghandle
- Sliding dust cover
- Suited for outside gasketing application

APPLICATIONS
Electric panels, machinery covers, rack cabinets

MATERIAL
 BODY: Polyamide DIN-EN ISO 1043-1 PA6 GFR 30
 HANDLE: Zamak DIN-EN 1774-ZnAl4Cu1
 CAM: Steel
 SEAL: Polyurethane

PRODUCT CODE



DRIVERS		
5 mm Double bit	8 mm Square	9 mm Triangular
15	28	39

MATERIAL	M
Zamak	1
Plastic	2

FINISH	F
Chrome	1
Black coated	2

CYLINDER TYPE		DD
	Keyed alike	01
	Keyed differ	02
	Stainless steel dust cap (Keyed alike)	03
	Stainless steel dust cap (Keyed differ)	32
	Euro key (5333)	05
	CH751 (Stainless steel dust cap)	07

- For cams please check pages: 144 - 145
- For rods please check pages: 150- 161
- For keys please check pages: 162 - 163

SWINGHANDLE

008



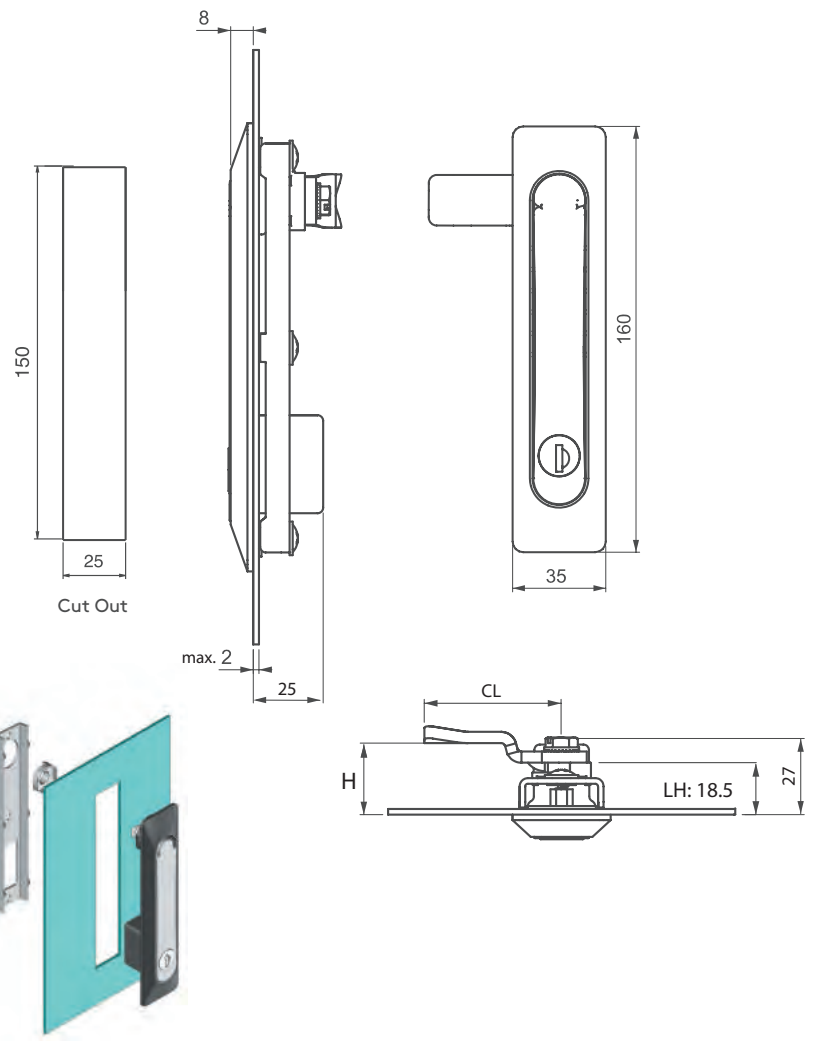
IP 65



LH/RH



RoHS

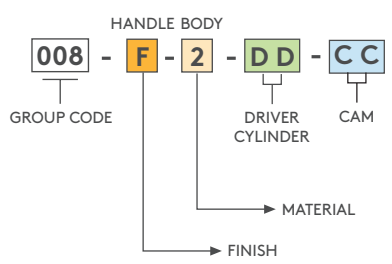


- Cut out 25 mm x 150 mm
- Steel fixing bracket for improved stability and grounding
- Ultra-low external profile, 8 mm, for flush appearance
- Spring-loaded, slam-action swinghandle

APPLICATIONS
Electric panels, machinery covers, rack cabinets

MATERIAL
BODY: Polyamide DIN-EN ISO 1043-1 PA6 GFR 30
HANDLE: Zamak DIN-EN 1774-ZnAl4Cu1
CAM: Steel or PA6 GFR 30
SEAL: Polyurethane

PRODUCT CODE



MATERIAL	M
Plastic	2

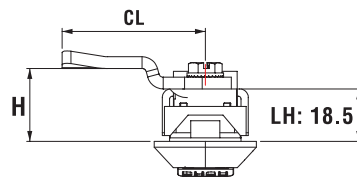
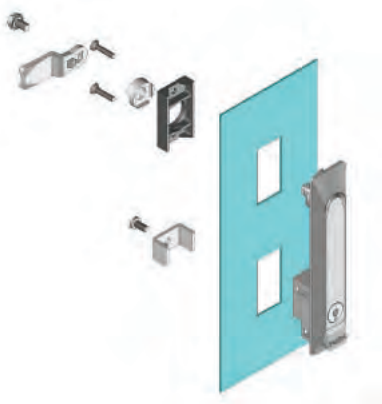
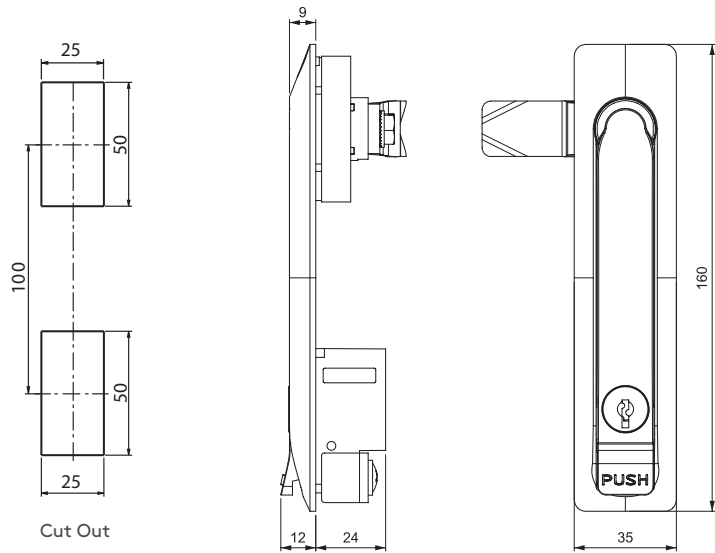
FINISH	F
Chrome	1
Black coated	2

HIGH-SECURITY CYLINDER	
Keyed alike	Keyed differ
20	21

DRIVERS		
5 mm Double bit	8 mm Square	9 mm Triangular
15	28	39

CYLINDER TYPE		DD
	Stainless steel dust cap (Keyed alike)	03
	Stainless steel dust cap (Keyed differ)	32
	Master system	04
	Euro key (5333)	05
	CH751 (Stainless steel dust cap)	07

- For cams please check pages: 144 - 145
- For rods please check pages: 150 - 161
- For keys please check pages: 162 - 163



908

SWINGHANDLE



IP 65



LH/RH



RoHS



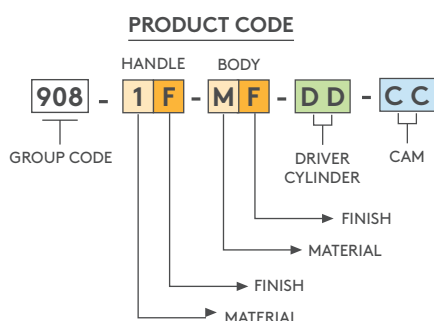
- Swinghandle with push button
- Standard cut out
- Ultra low external profile, just 9 mm, to give flush appearance

APPLICATIONS
Electric panels, machinery covers, rack cabinets

MATERIAL
BODY : Zamak DIN-EN 1774-ZnAl4Cu1 or PA6 GFR 30
HANDLE : Zamak DIN-EN 1774-ZnAl4Cu1
CAM : Steel or PA6 GFR 30
SEAL : Polyurethane





No Cylinder '00'






MATERIAL	M
Zamak	1
Plastic	2

FINISH	F
Chrome	1
Black coated	2
No finish	0

HIGH-SECURITY CYLINDER




	
Keyed alike	Keyed differ
20	21

DRIVERS

5 mm Double bit	8 mm Square	9 mm Triangular
		
15	28	39

CYLINDER TYPE

CYLINDER TYPE	DD
No Cylinder	00
Stainless steel dust cap (Keyed alike)	03
Stainless steel dust cap (Keyed differ)	32
Master system	04
Euro key (5333)	05
CH751 (Stainless steel dust cap)	07

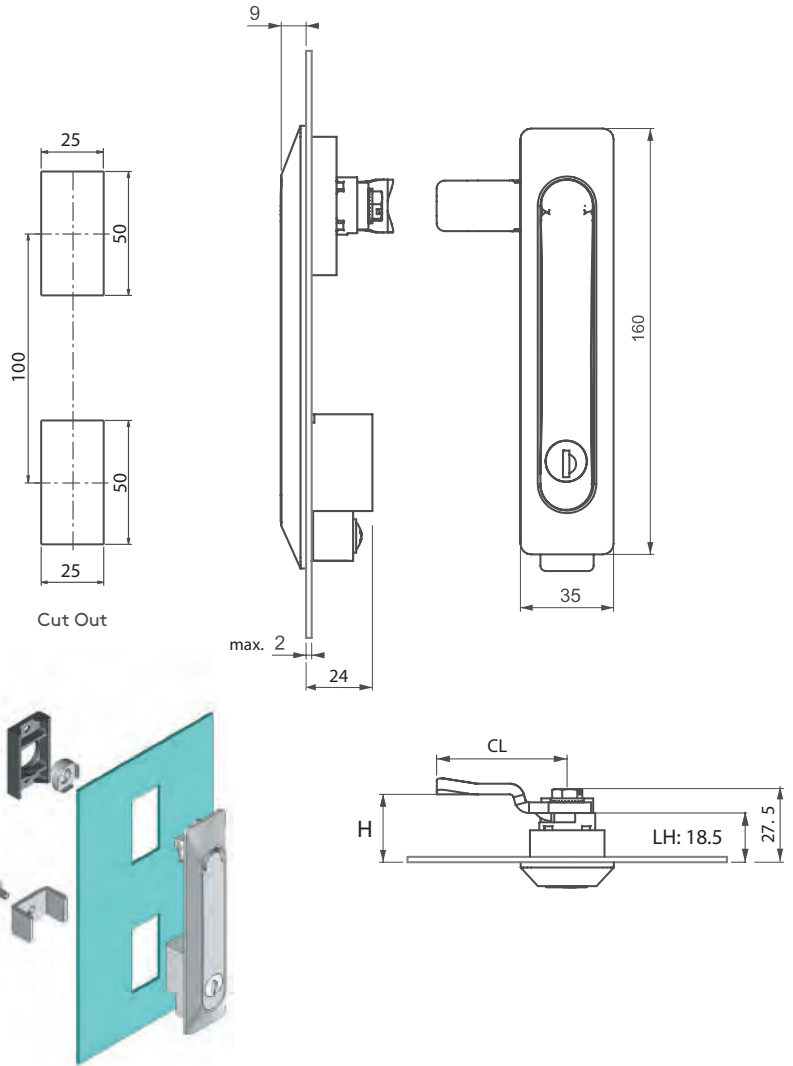
-  For cams please check pages: 144 - 145
-  For rods please check pages: 150- 161
-  For keys please check pages: 162 - 163

SWINGHANDLE 108

ALL IN METAL



- IP 65
- LH/RH
- RoHS



- All metal construction
- Stronger and better looking than polyamide
- Spring-loaded, slam-action swim handle
- For customised colours contact Essentra

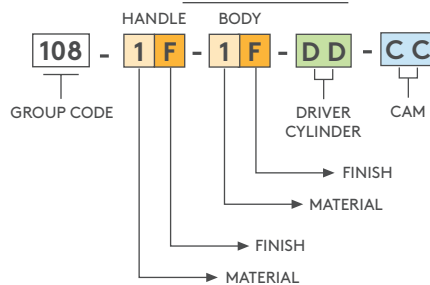
APPLICATIONS

Electric panels, machinery covers, rack cabinets

MATERIAL

BODY: Zamak DIN-EN 1774-ZnAl4Cu1
HANDLE: Zamak DIN-EN 1774-ZnAl4Cu1
CAM: Steel or PA6 GFR 30
SEAL: Polyurethane

PRODUCT CODE



MATERIAL	M
Zamak	1

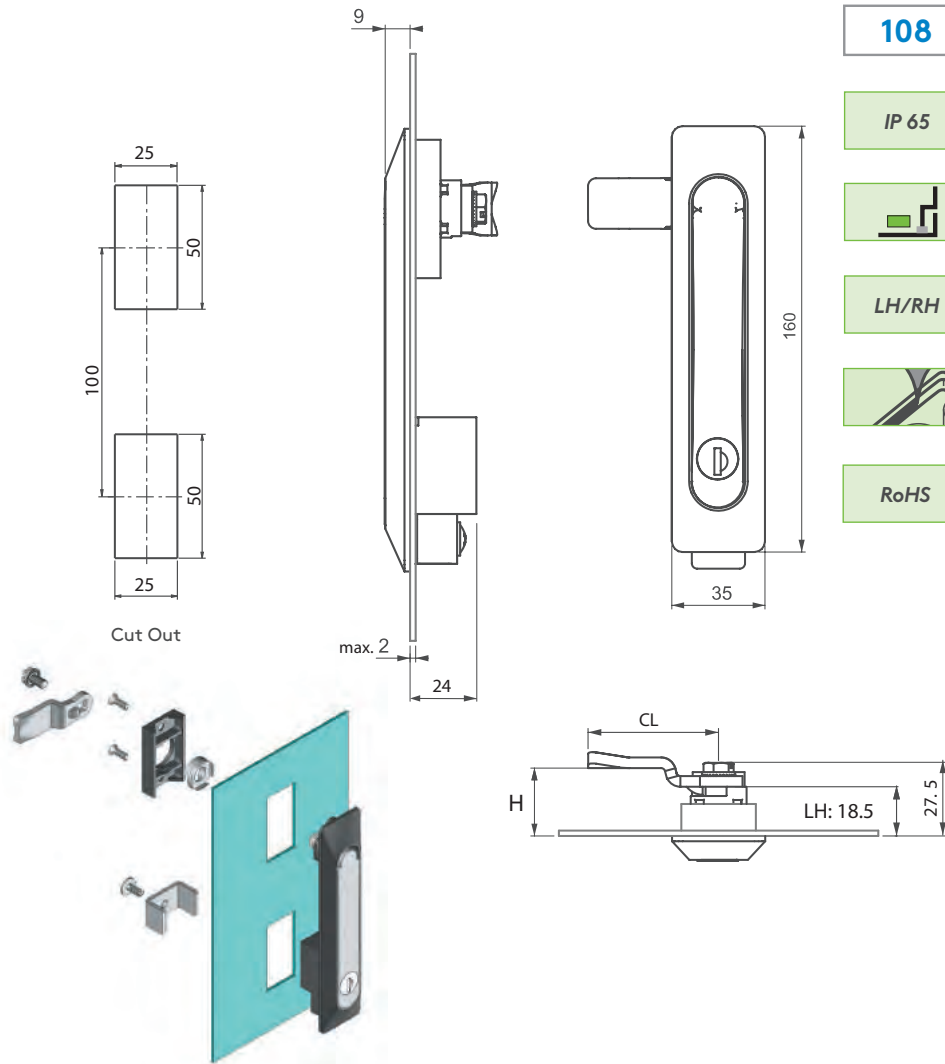
FINISH	F
Chrome	1
Black coated	2

HIGH-SECURITY CYLINDER	
Keyed alike	Keyed differ
20	21

DRIVERS		
5 mm Double bit	8 mm Square	9 mm Triangular
15	28	39

CYLINDER TYPE		DD
	Stainless steel dust cap (Keyed alike)	03
	Stainless steel dust cap (Keyed differ)	32
	Master system	04
	Euro key (5333)	05
	CH751 (Stainless steel dust cap)	07

- For cams please check pages: 144 - 145
- For rods please check pages: 150 - 161
- For keys please check pages: 162 - 163



108

SWINGHANDLE

- IP 65
- LH/RH
- RoHS



- Standard cut out
- Ultra-low external profile, 9 mm, for flush appearance
- Spring-loaded, slam-action swinghandle

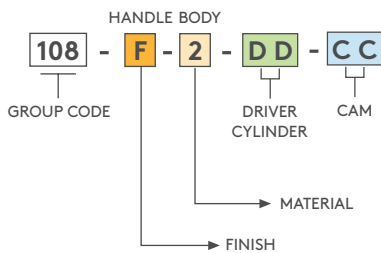
APPLICATIONS

Electric panels, machinery covers, rack cabinets

MATERIAL



BODY: Polyamide DIN-EN ISO 1043-1 PA6 GFR 30
HANDLE: Zamak DIN-EN 1774-ZnAl4Cu1
CAM: Steel or PA6 GFR 30
SEAL: Polyurethane




PRODUCT CODE







MATERIAL	M
Plastic	2

FINISH	F
Chrome	1
Black coated	2

HIGH-SECURITY CYLINDER	
	
Keyed alike	Keyed differ
20	21

DRIVERS		
5 mm Double bit	8 mm Square	9 mm Triangular
		
15	28	39

CYLINDER TYPE		DD
	Stainless steel dust cap (Keyed alike)	03
	Stainless steel dust cap (Keyed differ)	32
	Master system	04
	Euro key (5333)	05
	CH751 (Stainless steel dust cap)	07

-  For cams please check pages: 144 - 145
-  For rods please check pages: 150- 161
-  For keys please check pages: 162 - 163

SWINGHANDLE



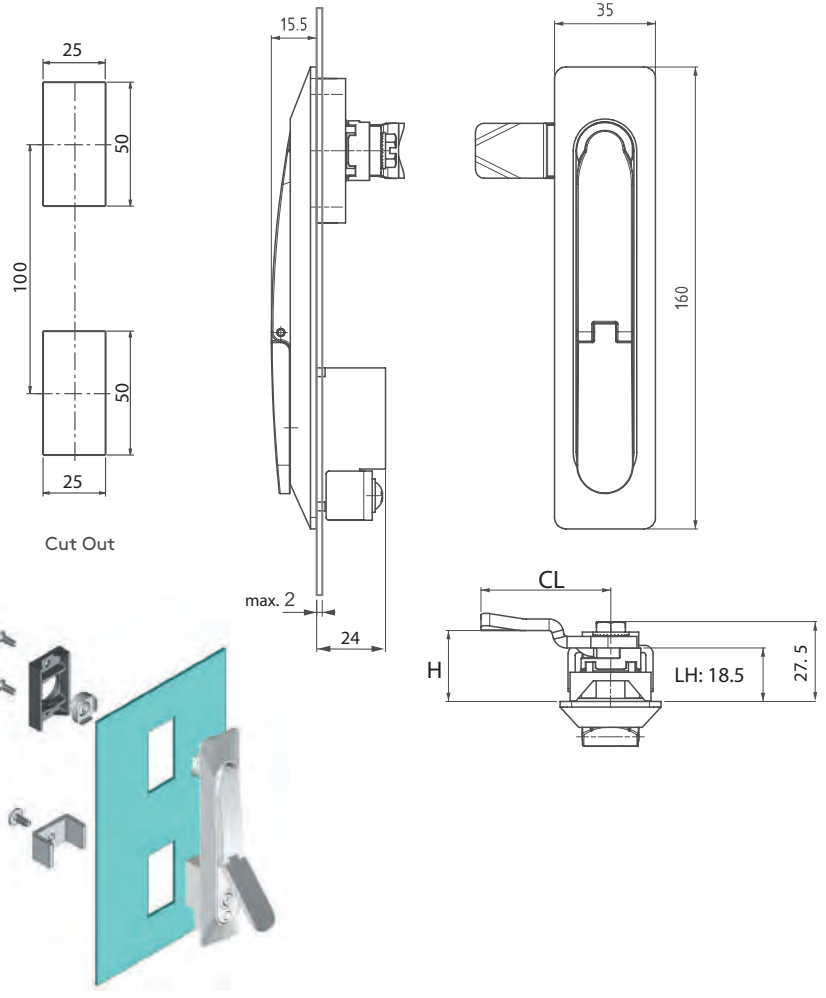
- All metal construction
- Improved corrosion resistance.
- High-security cylinder alternative
- Improved IP resistance with moving dust cap

APPLICATIONS
Electric panels, outdoor cabinets, rack cabinets

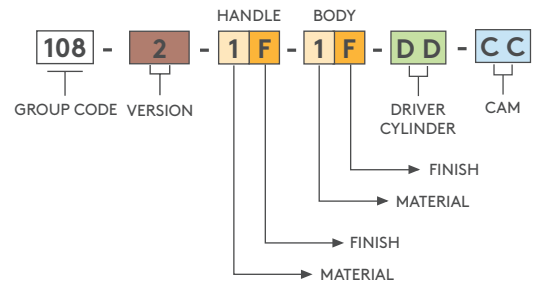
MATERIAL
BODY: Zamak DIN-EN 1774-ZnAl4Cu1
HANDLE: Zamak DIN-EN 1774-ZnAl4Cu1
CAM: Steel or PA6 GFR 30
SEAL: Polyurethane

108

- IP 65
- LH/RH
- RoHS



PRODUCT CODE



MATERIAL	M
Zamak	1

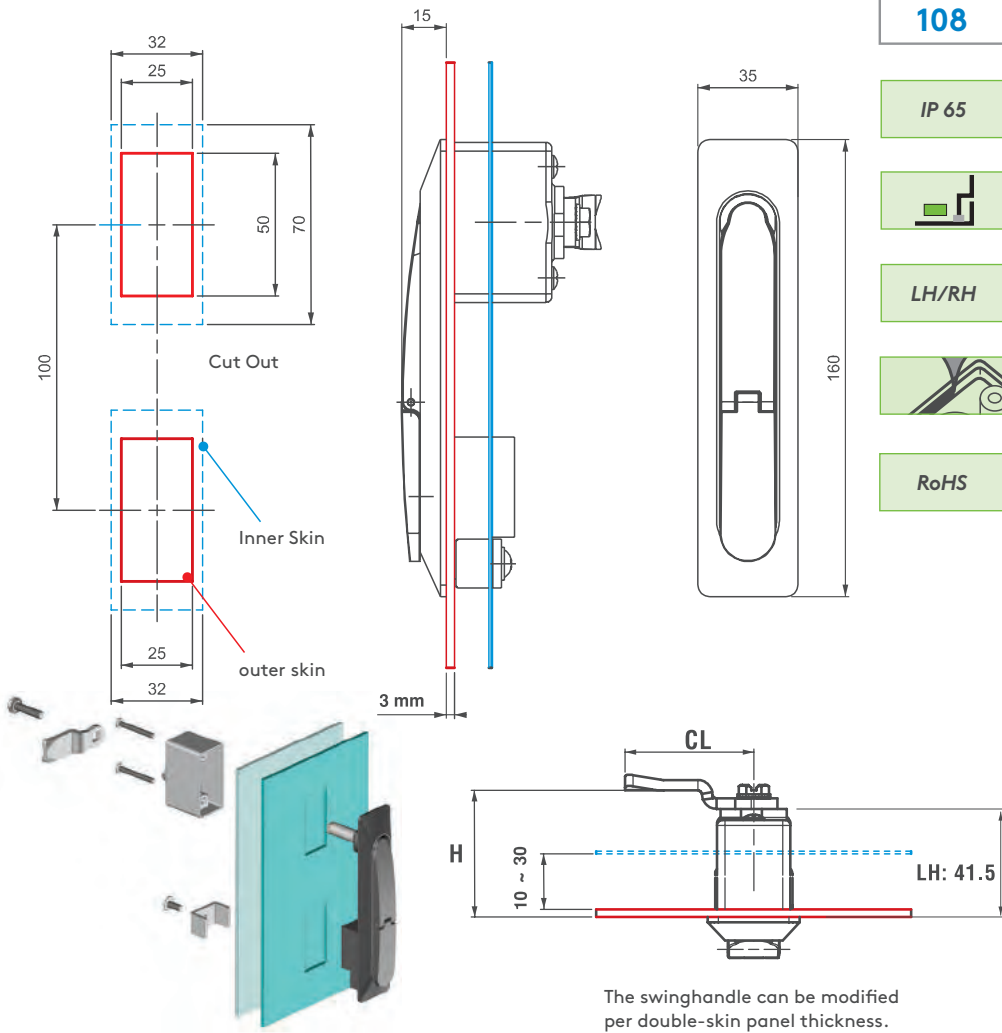
FINISH	F
Chrome	1
Black coated	2

HIGH-SECURITY CYLINDER	
Keyed alike	Keyed differ
20	21

DRIVERS		
5 mm Double bit	8 mm Square	9 mm Triangular
15	28	39

CYLINDER TYPE		DD
	Stainless steel dust cap (Keyed alike)	03
	Stainless steel dust cap (Keyed differ)	32
	Master system	04
	Euro key (5333)	05
	CH751 (Stainless steel dust cap)	07

For cams please check pages: 144 - 145
 For rods please check pages: 150 - 161
 For keys please check pages: 162 - 163



- 108**
- IP 65
-
- LH/RH
-
- RoHS

SWINGHANDLE

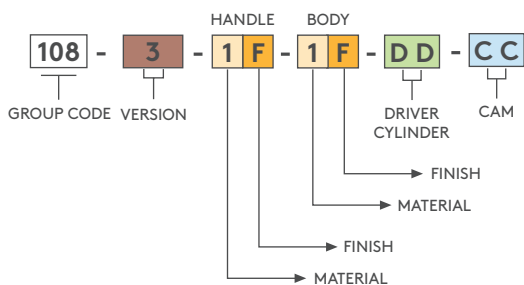
ALL IN METAL



- Ideal for double-skin doors and outdoor cabinets
- Improved strength to protect against vandalism
- High-security cylinder with special shaped key prevents unauthorized duplication
- Improved IP resistance with moving dust cap
- Spring-loaded, slam-action swinghandle

The swinghandle can be modified per double-skin panel thickness.

PRODUCT CODE



MATERIAL	M
Zamak	1

FINISH	F
Chrome	1
Black coated	2

APPLICATIONS

Electric panels, outdoor cabinets
rack cabinets

MATERIAL

- BODY:** Zamak DIN-EN 1774-ZnAl4Cu1
- HANDLE:** Zamak DIN-EN 1774-ZnAl4Cu1
- CAM:** Steel or PA6 GFR 30
- SEAL:** Polyurethane

HIGH-SECURITY CYLINDER	
Keyed alike	Keyed differ
20	21

DRIVERS		
5 mm Double bit	8 mm Square	9 mm Triangular
15	28	39

CYLINDER TYPE		DD
	Stainless steel dust cap (Keyed alike)	03
	Stainless steel dust cap (Keyed differ)	32
	Master system	04
	Euro key (5333)	05
	CH751 (Stainless steel dust cap)	07

- For cams please check pages: 144 - 145
- For rods please check pages: 150- 161
- For keys please check pages: 162 - 163

SWINGHANDLE

208

ALL IN METAL



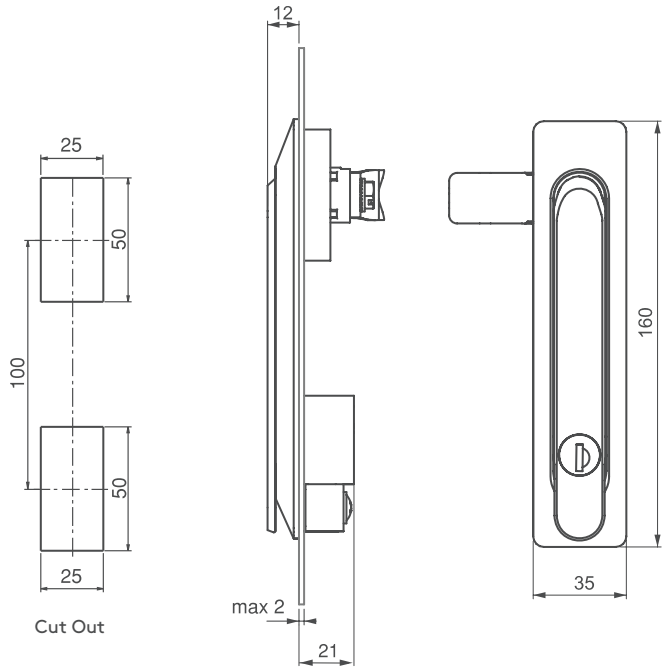
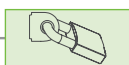
IP 65



LH/RH



RoHS



- All metal construction
- Stronger and better looking than polyamide
- Handle is not spring loaded and slam action
- Key can be removed at unlocked position

APPLICATIONS

Electric panels, machinery covers, rack cabinets

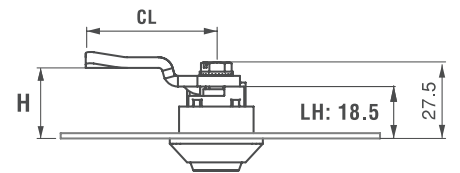
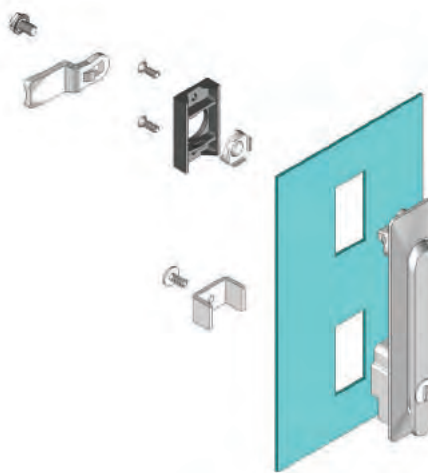
MATERIAL

BODY: Zamak DIN-EN 1774-ZnAl4Cu1

HANDLE: Zamak DIN-EN 1774-ZnAl4Cu1

CAM: Steel or PA6 GFR 30

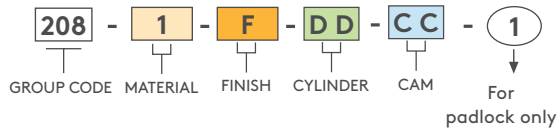
SEAL: Polyurethane



1

Padlock application

PRODUCT CODE



MATERIAL	M
Zamak	1

FINISH	F
Chrome	1
Black coated	2

CYLINDER	SPECIFICATIONS	DD
	Stainless steel dust cap (Keyed alike)	03
	Stainless steel dust cap (Keyed differ)	32
	Master system	04
	Euro key (5333)	05
	CH751 (Stainless steel dust cap)	07

For cams please check pages: 144 - 145

For rods please check pages: 150- 161



208

SWINGHANDLE

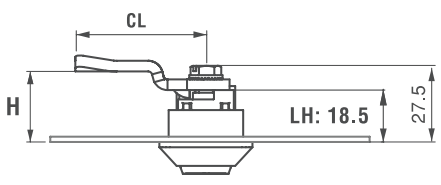
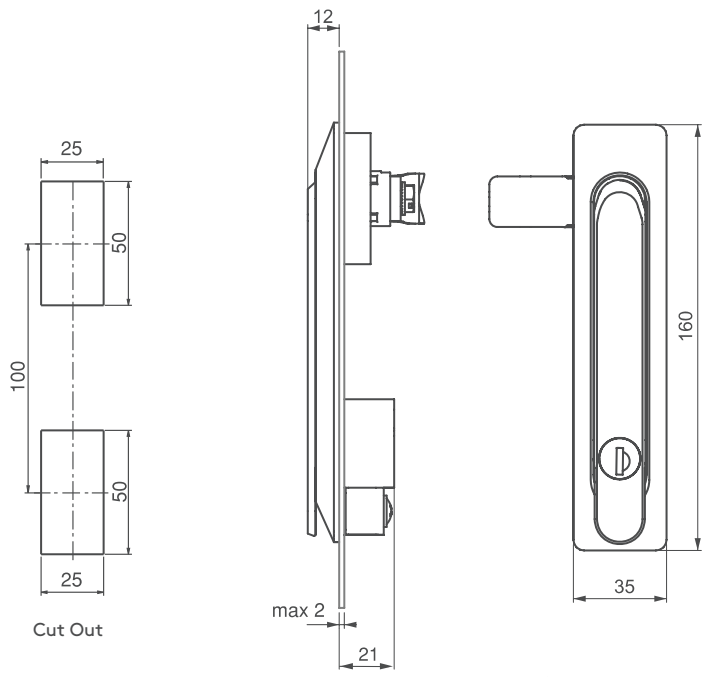
IP 65



LH/RH



RoHS



- Can be used for indoor applications
- Offers an economical solution

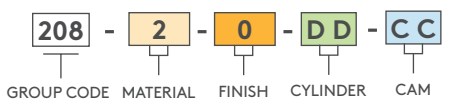
APPLICATIONS

Electric panels, machinery covers, rack cabinets

MATERIAL

- BODY: Polyamide DIN-EN ISO 1043-1 PA6 GFR 30
- HANDLE: Polyamide DIN-EN ISO 1043-1 PA6 GFR 30
- CAM: Steel - PA6 GFR 30
- SEAL: Polyurethane

PRODUCT CODE



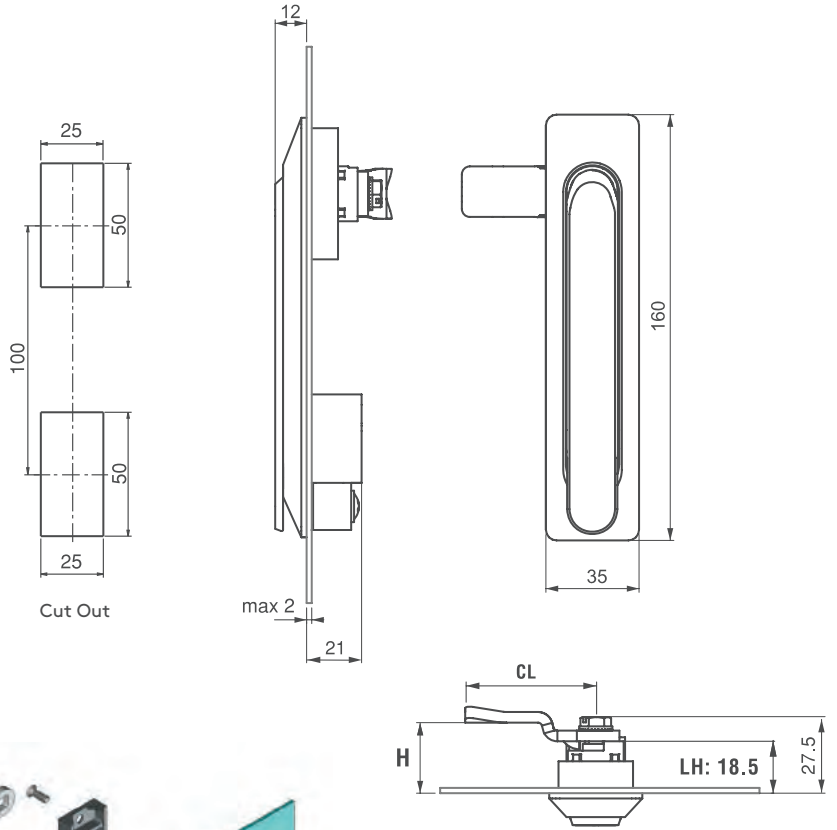
CYLINDER	SPECIFICATIONS	DD
	Stainless steel dust cap (Keyed alike)	03
	Stainless steel dust cap (Keyed differ)	32
	Master system	04
	Euro key (5333)	05
	CH751 (Stainless steel dust cap)	07

For cams please check pages: 144 - 145
 For rods please check pages: 150- 161



SWINGHANDLE

- 218**
- IP 65
- LH/RH
- RoHS



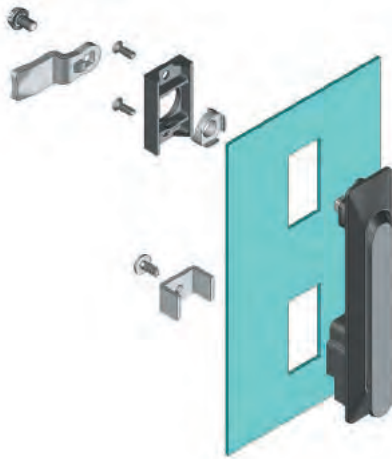
- Concealed special cam on the handle provides fixing
- For indoor and outdoor applications
- Offers an economical solution

APPLICATIONS

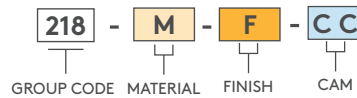
Electric panels, machinery covers, rack cabinets

MATERIAL

BODY: Zamak DIN-EN 1774-ZnAl4Cu1 or PA6 GFR 30
HANDLE: Zamak DIN-EN 1774-ZnAl4Cu1 or PA6 GFR 30
CAM: Steel or PA6 GFR 30
SEAL: Polyurethane



PRODUCT CODE

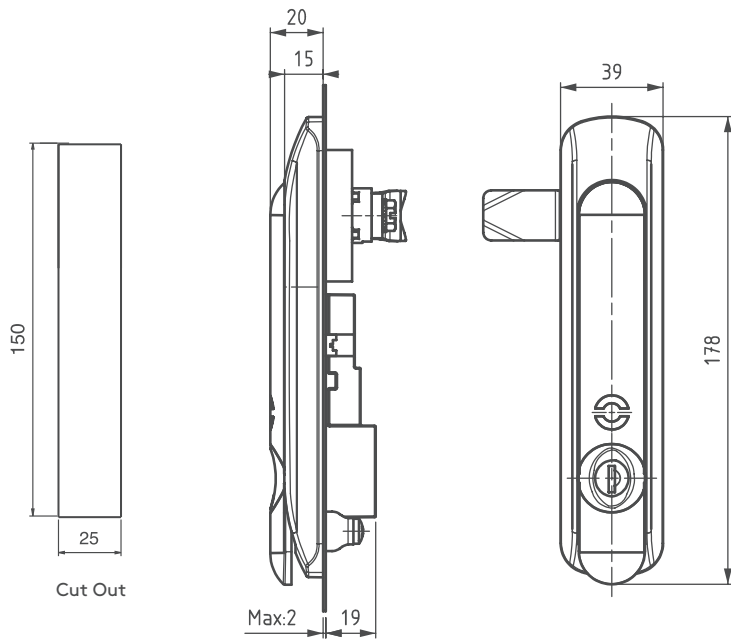


MATERIAL	M	FINISH	F
Zamak	1	Chrome	1
		Black coated	2
Plastic	2	No finish	0

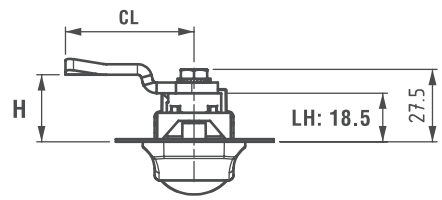
For cams please check pages: 144 - 145

808

SWINGHANDLE



- 
- LH/RH**
- RoHS**



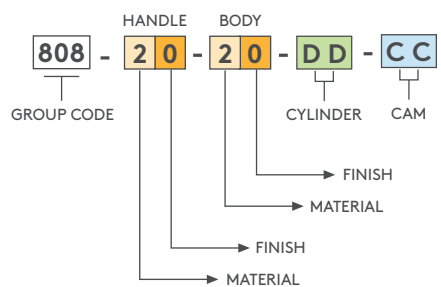
APPLICATIONS


Electric panels, machinery covers, rack cabinets



MATERIAL

- BODY:** Polyamide DIN-EN ISO 1043-1 PA6 GFR 30
- HANDLE:** Polyamide DIN-EN ISO 1043-1 PA6 GFR 30
- CAM:** Steel - PA6 GFR 30
- SEAL:** Polyurethane

PRODUCT CODE



CYLINDER	SPECIFICATIONS	DD
	Stainless steel dust cap (Keyed alike)	03
	Stainless steel dust cap (Keyed differ)	32
	Master system	04
	Euro key (5333)	05
	CH751 (Stainless steel dust cap)	07

 For cams please check pages: 144 - 145
 For rods please check pages: 150- 161

SWINGHANDLE

708



LH/RH



RoHS



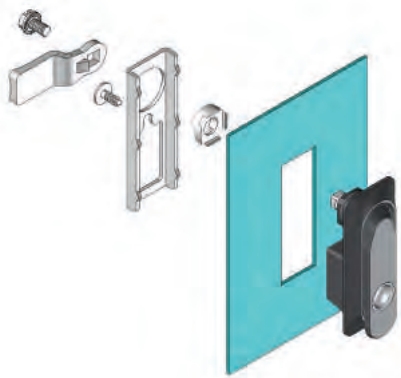
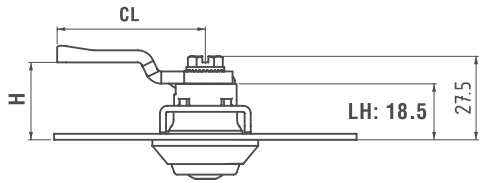
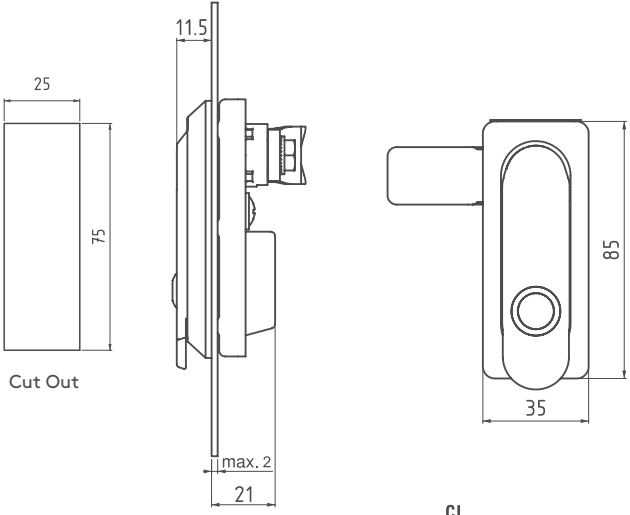
- Can be used for internal applications
- Lock can be opened by pressing the button
- 25 X 75 mm cut out

APPLICATIONS

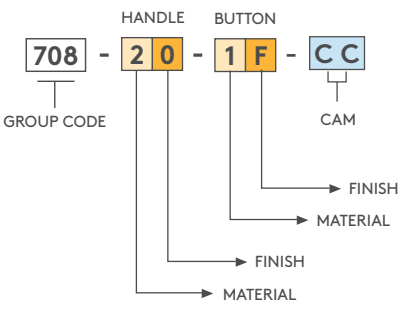
Electric panels, machinery covers, rack cabinets

MATERIAL

- BODY:** Polyamide DIN-EN ISO 1043-1 PA6 GFR 30
- HANDLE:** Polyamide DIN-EN ISO 1043-1 PA6 GFR 30
- BUTTON:** Zamak DIN-EN 1774-ZnAl4Cu1
- CAM:** Steel
- SEAL:** Rubber



PRODUCT CODE



MATERIAL	M	FINISH	F
Zamak	1	Chrome	1
		Black coated	2
Plastic	2	No finish	0

For cams please check pages: 144 - 145



708

SWINGHANDLE



LH/RH



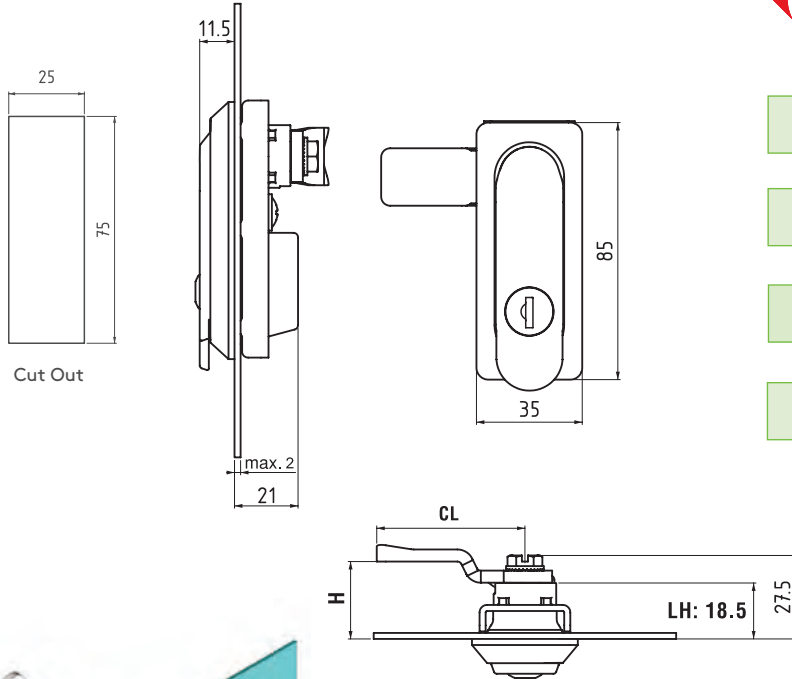
- Can be used for internal applications
- 25 X 75 mm cut out

APPLICATIONS

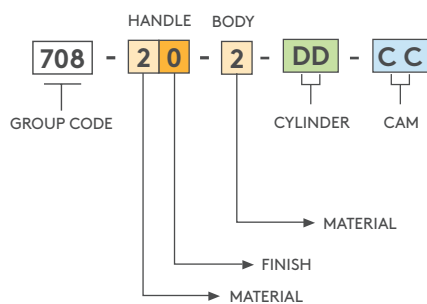
Electric panels, machinery covers,

MATERIAL

- BODY:** Polyamide DIN-EN ISO 1043-1 PA6 GFR 30
- HANDLE:** Polyamide DIN-EN ISO 1043-1 PA6 GFR 30
- CYLINDER:** Zamak DIN-EN 1774-ZnAl4Cu1
- CAM:** Steel
- SEAL:** Polyurethane

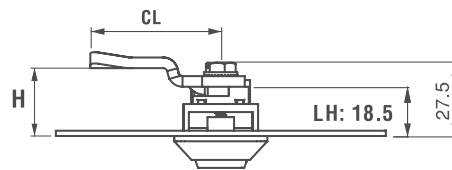
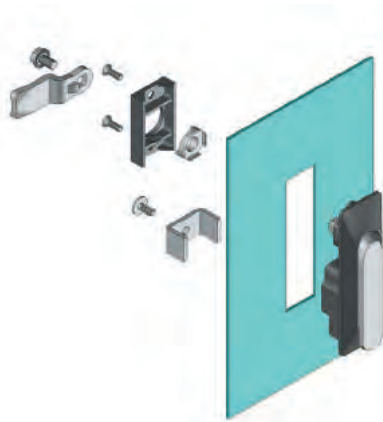
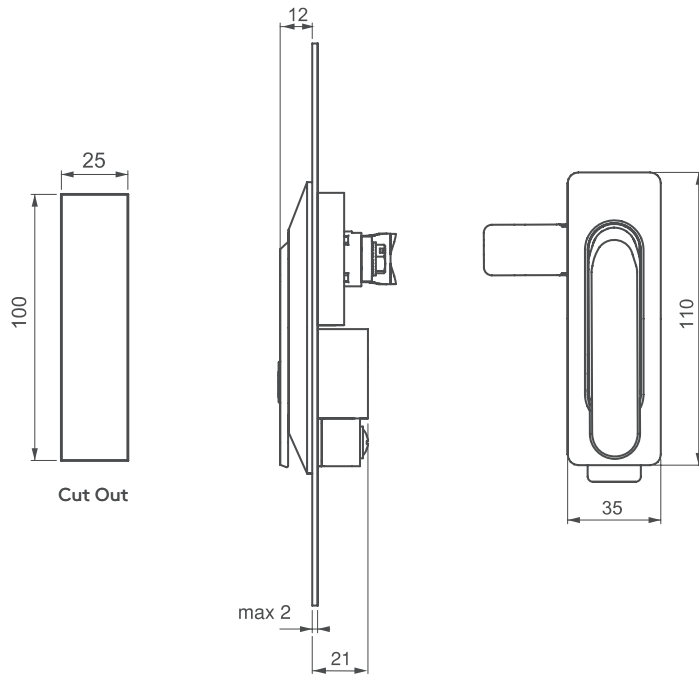


PRODUCT CODE



CYLINDER TYPE		DD
	Stainless steel dust cap (Keyed alike)	03
	Stainless steel dust cap (Keyed differ)	32
	Master system	04
	Euro key (5333)	05
	CH751 (Stainless steel dust cap)	07

For cams please check pages: 144 - 145



318

SWINGHANDLE

SMALL VERSION

IP 65



LH/RH



RoHS



- Concealed special cam on handle for fixing
- For indoor and outdoor applications
- Offers an economical solution
- 25 mm x 100 mm cut out

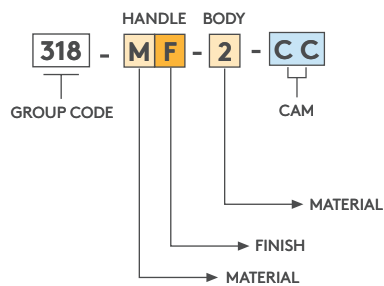
APPLICATIONS

Electric panels, machinery covers, rack cabinets

MATERIAL

BODY: Polyamide DIN-EN ISO 1043-1 PA6 GFR 30
 HANDLE: Zamak DIN-EN 1774-ZnAl4Cu1 or PA6 GFR 30
 CAM: Steel - PA6 GFR 30
 SEAL: Polyurethane

PRODUCT CODE



MATERIAL	M
Zamak	1
Plastic	2

FINISH	F
Chrome	1
Black coated	2
No finish	0

For cams please check pages: 144 - 145

SWINGHANDLE

518

ALL IN METAL

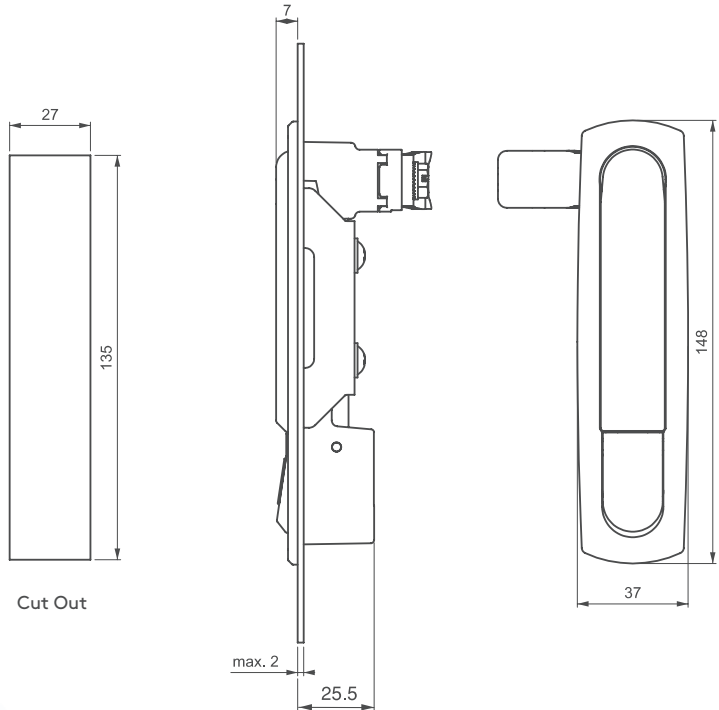


IP 65

LH/RH



RoHS



Cut Out

- Swinghande with push button
- Can assemble with one fixing bracket
- Offers an economical solution

APPLICATIONS

Electric panels, machinery covers, rack cabinets

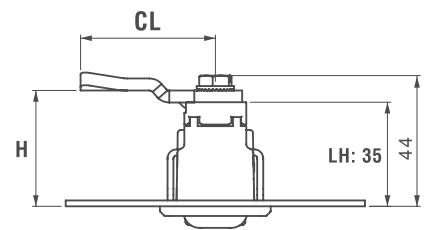
MATERIAL

BODY: Zamak DIN-EN 1774-ZnAl4Cu1

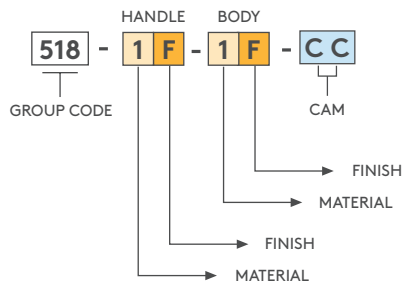
HANDLE: Zamak DIN-EN 1774-ZnAl4Cu1

CAM: Steel or PA6 GFR 30

SEAL: Polyurethane



PRODUCT CODE



FINISH	F
Chrome	1
Black coated	2

For cams please check pages: 144 - 145



508

SWINGHANDLE

ALL IN METAL



LH/RH



RoHS



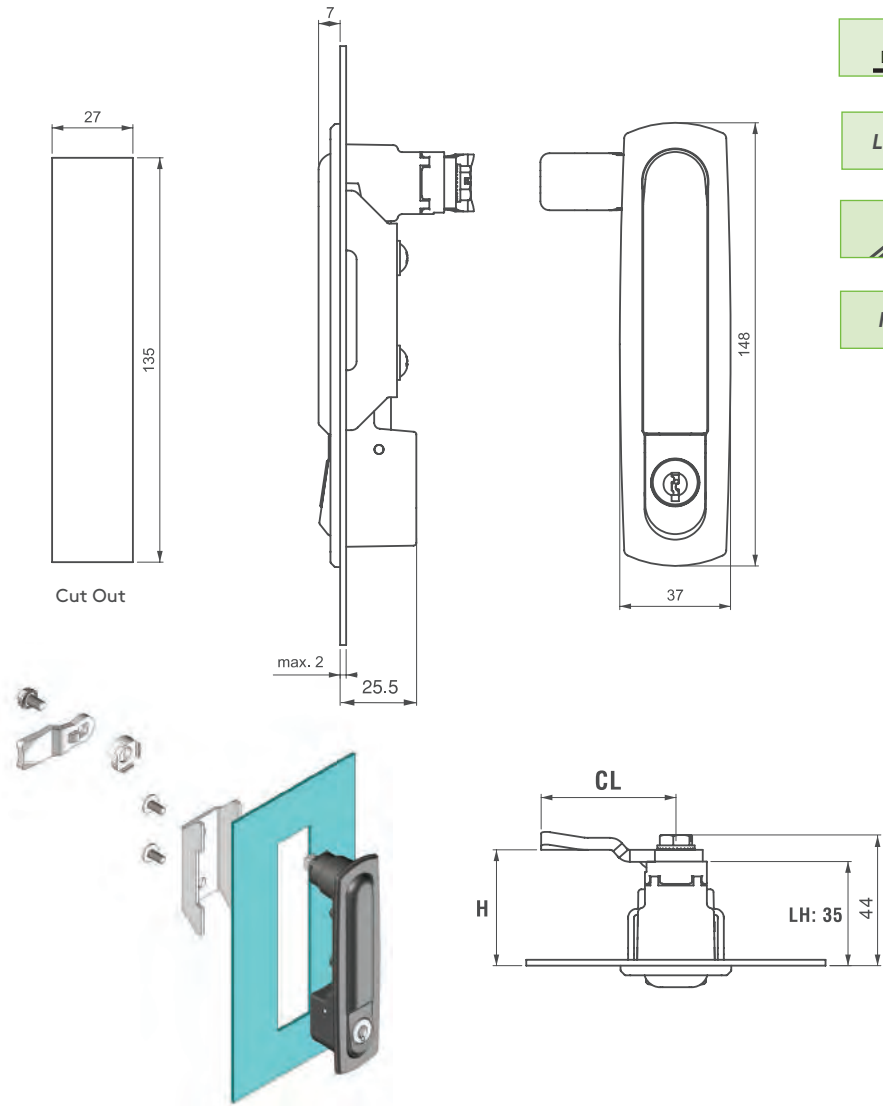
- Swinghandle with push button
- Can assemble with one fixing bracket
- Offers an economical solution

APPLICATIONS

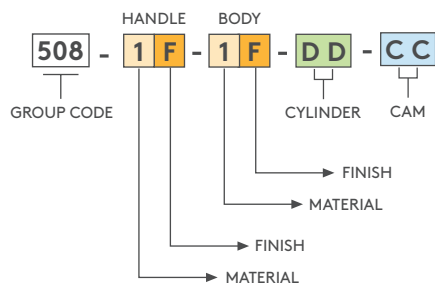
Electric panels, machinery covers, rack cabinets

MATERIAL

BODY: Zamak DIN-EN 1774-ZnAl4Cu1
 HANDLE: Zamak DIN-EN 1774-ZnAl4Cu1
 CAM: Steel or PA6 GFR 30
 SEAL: Polyurethane



PRODUCT CODE



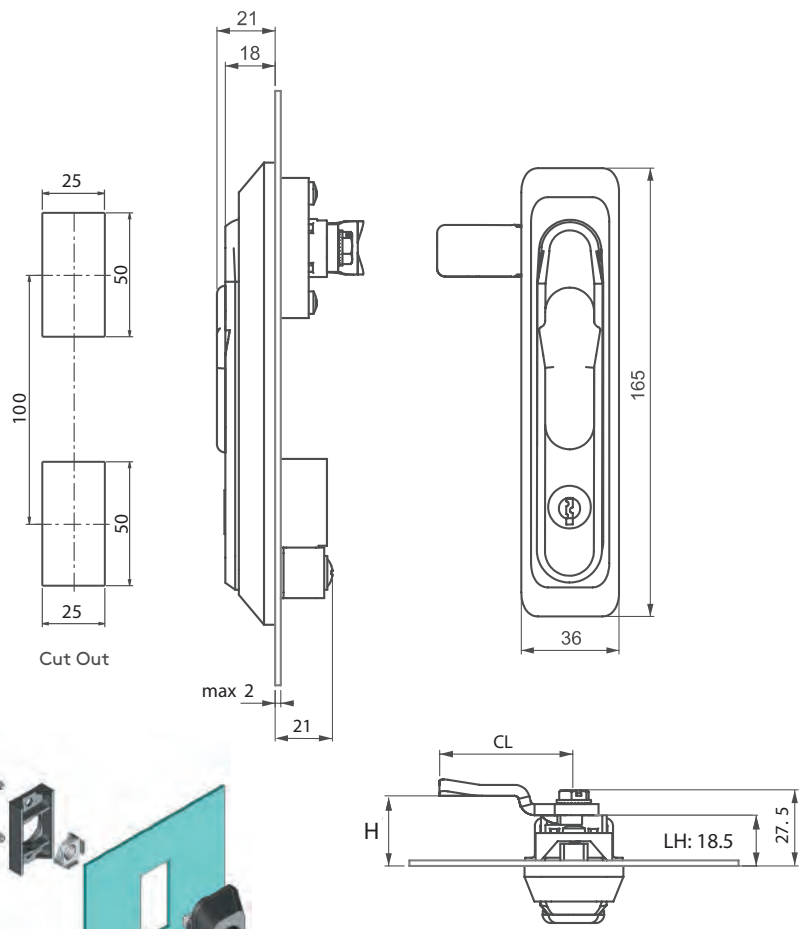
FINISH	F
Chrome	1
Black coated	2

CYLINDER	SPECIFICATIONS	DD
	Keyed alike	01
	Keyed differ	02

For cams please check pages: 144 - 145



- 006**
- IP 65
-
-



- Lower strength swinghandle that accepts: cylindrical drivers only
- Spring-loaded, slam-action swinghandle
- For indoor and outdoor application

APPLICATIONS
Electric panels, machinery covers

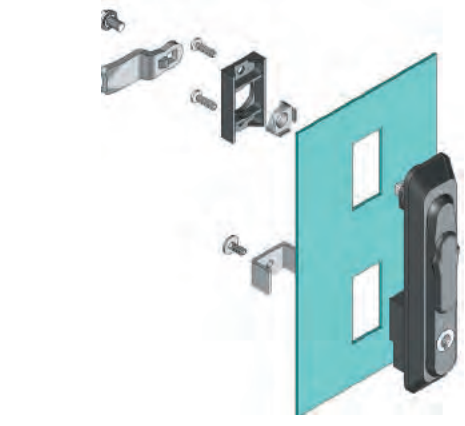
MATERIAL

BODY: Polyamide DIN-EN ISO 1043-1 PA6 GFR 30

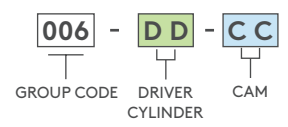
HANDLE: Polyamide DIN-EN ISO 1043-1 PA6 GFR 30

CAM: Steel or PA6 GFR 30

SEAL: Polyurethane



PRODUCT CODE



DRIVERS		
5 mm Double bit	8 mm Square	9 mm Triangular
15	28	39

CYLINDER TYPE		DD
	Keyed alike	01
	Keyed differ	02
	Stainless steel dust cap (Keyed alike)	03
	Stainless steel dust cap (Keyed differ)	32
	Euro key (5333)	05
	CH751 (Stainless steel dust cap)	07

- For cams please check pages: 144 - 145
- For rods please check pages: 150- 161
- For keys please check pages: 162 - 163





LOCKS



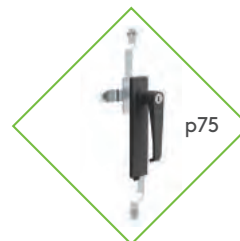
ROD-LATCH SYSTEM

GROUP CODE	PRODUCT NAME
002	SWINGHANDLE – GEAR BOX
102	SWINGHANDLE – GEAR BOX
502	SWINGHANDLE – GEAR BOX
602	SWINGHANDLE – GEAR BOX
409	SWINGHANDLE – GEAR BOX
107	SWINGHANDLE – GEAR BOX
207	SWINGHANDLE – GEAR BOX
307	SWINGHANDLE – GEAR BOX
104	LINEAR HANDLE LOCK
109	SWINGHANDLE – GEAR BOX
909	SWING HANDLE – GEAR BOX
209	SWINGHANDLE – GEAR BOX
219	SWINGHANDLE – GEAR BOX
309	SWINGHANDLE – GEAR BOX
319	SWINGHANDLE – GEAR BOX
007	SWINGHANDLE – GEAR BOX
809	SWINGHANDLE – GEAR BOX
103	THREE-POINT LOCK (wing knob, T and L handle)
203	THREE-POINT LOCK (wing knob, T and L handle)
203	THREE-POINT LOCK
003	THREE-POINT LOCK
103	THREE-POINT LOCK
303	INTERNAL LOCKING SYSTEM



ESSENTRA

PAGE	
48	
49	
50 - 51	
52	
53 - 54	
55	
56	
57	
58 - 59	
60,61,63,64	
62	
65-66	
67	
68	
69	
70	
71	
72 - 73	
74 - 75	
76	
77	
77	
78	



ROD-LATCH SYSTEM



- Swinghandle for steel and polyester cabinets
- 40 mm Euro Profile single cylinder fitted
- Padlockable version available
- For 42 mm Euro Profile single cylinder contact Essentra

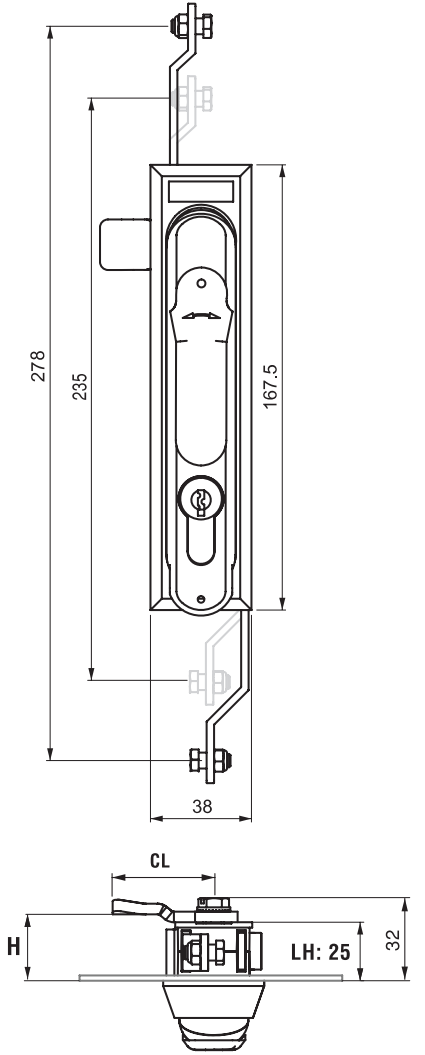
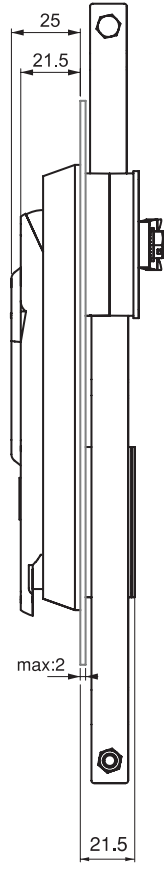
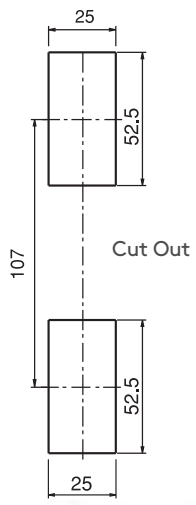
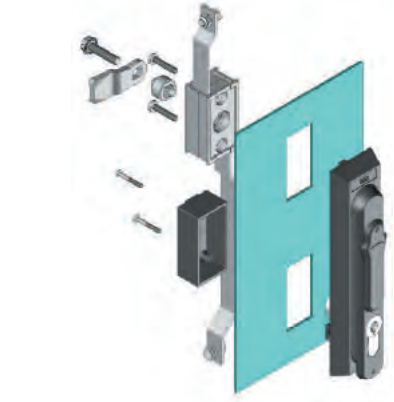
APPLICATIONS
Electric panels, machinery covers

MATERIAL
BODY: Polyamide DIN-EN ISO 1043-1 PA6 GFR 30
HANDLE: Polyamide DIN-EN ISO 1043-1 PA6 GFR 30
MECHANISM: Zamak DIN-EN 1774-ZnAl4Cu1
CAM: Steel
SEAL: Polyurethane

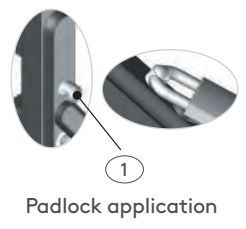
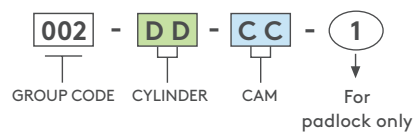
For cams please check pages: 146 - 147
 For rods please check pages: 150 - 161
 For keys please check pages: 162 - 163

002

- LH/RH
- RoHS



PRODUCT CODE

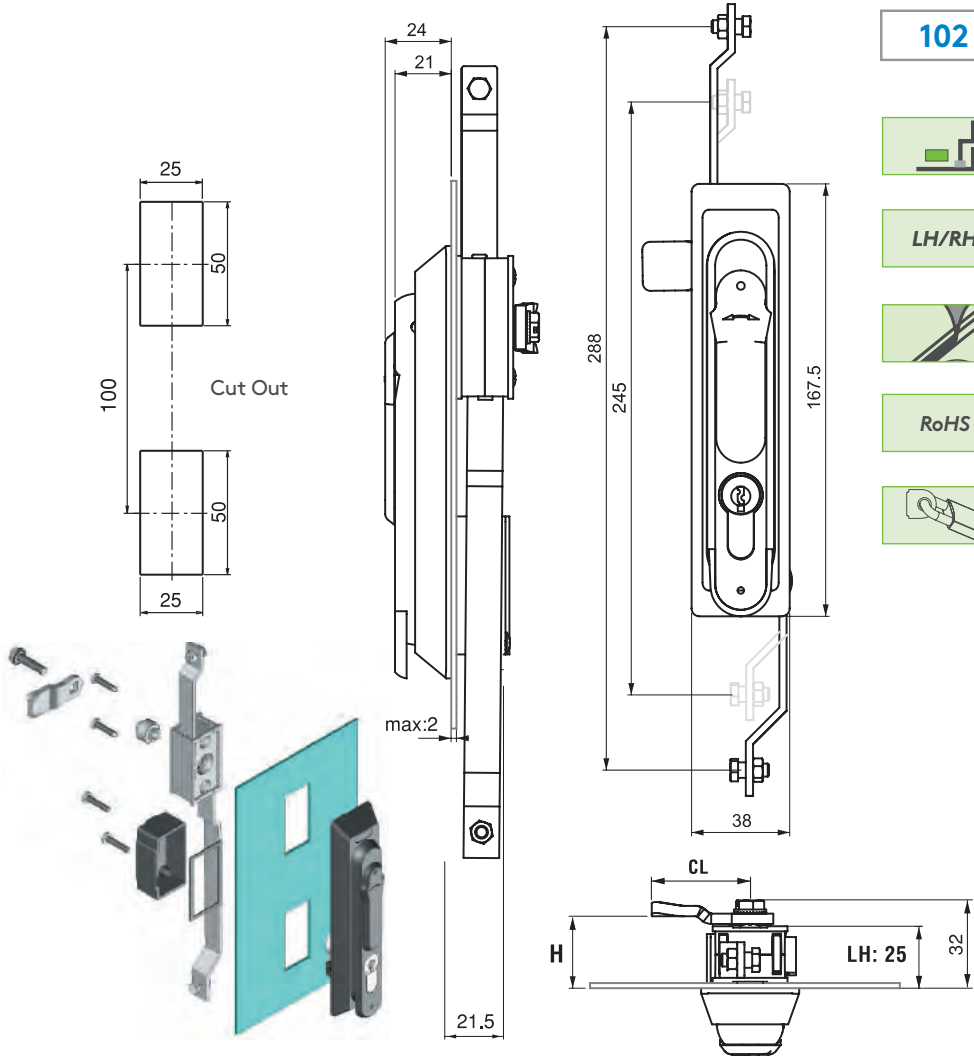


CYLINDER TYPE		DD
	Keyed alike	01
	Keyed differ	02
	Master System	04
	Euro Key (5333)	05
	CH751 (Stainless steel dust cap)	07

NO CYLINDER	DD
Plastic blind cylinder	24

DRIVER TYPE			
5 mm Double bit	8 mm Square	9 mm Triangular	Eastern
15	28	39	91

HIGH-SECURITY CYLINDER			
Brass cylinder		Zamak cylinder	
Keyed alike	Keyed differ	Keyed alike	Keyed differ
20	21	22	23



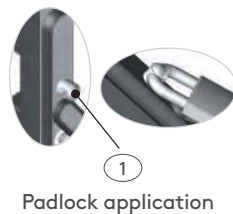
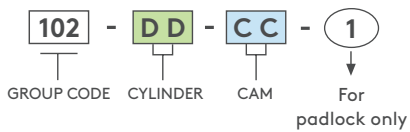
102 SWINGHANDLE GEAR BOX

- 
-  LH/RH
-  RoHS
- 



- Swinghandle for steel and polyester cabinets
- 40 mm Euro Profile single cylinder fitted
- For 42 mm Euro Profile single cylinder contact Essentra
- Padlockable version available

PRODUCT CODE





APPLICATIONS




Electric panels, machinery covers

MATERIAL

- BODY:** Polyamide DIN-EN ISO 1043-1 PA6 GFR 30
- HANDLE:** Polyamide DIN-EN ISO 1043-1 PA6 GFR 30
- MECHANISM:** Zamak DIN-EN 1774-ZnAl4Cu1
- CAM:** Steel
- SEAL:** Polyurethane

CYLINDER TYPE		DD	NO CYLINDER		DD
	Keyed alike	01		Plastic blind cylinder	24
	Keyed differ	02			
	Master system	04			
	Euro key (5333)	05			
	CH751 (Stainless steel dust cap)	07			

DRIVER TYPE				HIGH SECURITY CYLINDER			
5 mm Double bit	8 mm Square	9 mm Triangular	Eastern	Brass cylinder	Zamak cylinder		
							
15	28	39	91	Keyed alike	Keyed differ	Keyed alike	Keyed differ
				20	21	22	23

-  For cams please check pages: 146 - 147
-  For rods please check pages: 150- 161
-  For keys please check pages: 162 - 163

ROD-LATCH SYSTEM

SWINGHANDLE GEAR BOX

502

ALL IN METAL



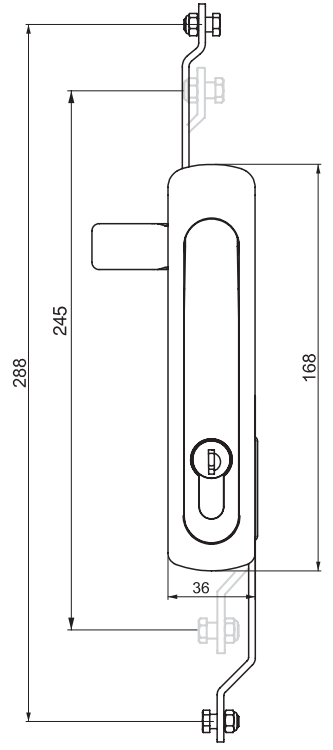
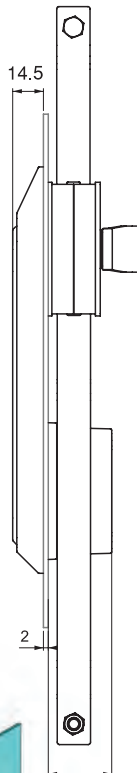
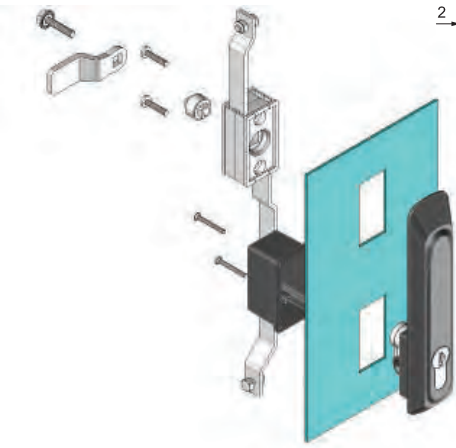
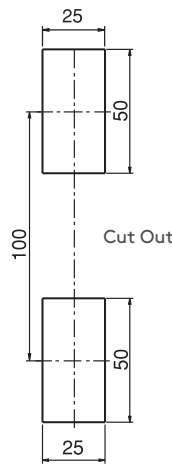
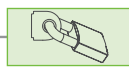
IP 65



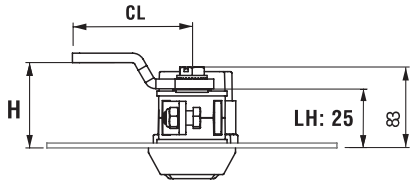
LH/RH



RoHS

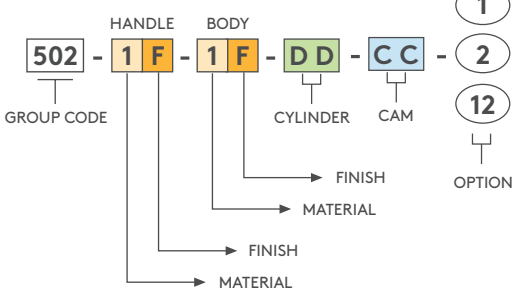


25.5: Zamak cylinder
32: Brass cylinder



- Stainless steel version: page 424
- Die-cast construction stronger than polyamide
- Thin external profile, 14.4 mm, for flush appearance
- High-security, brass, Euro Profile single-cylinder available
- Dust cap available
- Padlockable version available
- For different colours contact Essentra

PRODUCT CODE



1 Dust cap application
2 Padlock application



12 Dust cap + padlock application

APPLICATIONS

Electric panels, outdoor cabinets

MATERIAL

- BODY:** Zamak DIN-EN 1774-ZnAl4Cu1
- HANDLE:** Zamak DIN-EN 1774-ZnAl4Cu1
- MECHANISM:** Zamak DIN-EN 1774-ZnAl4Cu1
- SEAL:** Polyurethane

MATERIAL	M
Zamak	1

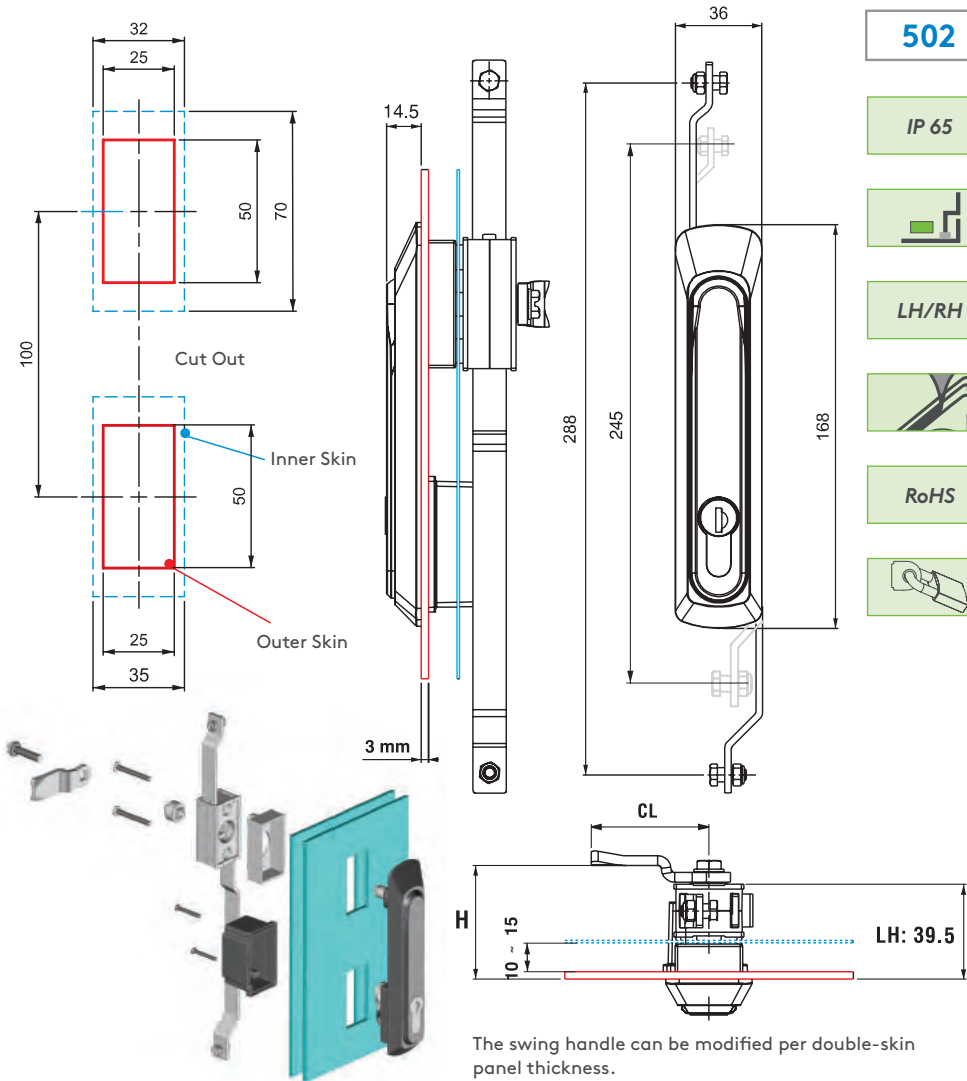
FINISH	F
Chrome	1
Black coated	2

ZAMAK CYLINDER	DD
Stainless steel dust cap (Keyed alike)	03
Stainless steel dust cap (Keyed differ)	32
CH751 (Stainless steel dust cap)	07

BRASS CYLINDER	DD
No cylinder	00
Keyed alike	11

HIGH-SECURITY CYLINDER			
Brass cylinder		Zamak cylinder	
Keyed alike	Keyed differ	Keyed alike	Keyed differ
20	21	22	23

- For cams please check pages: 146 - 147
- For rods please check pages: 150 - 161
- For keys please check pages: 162 - 163



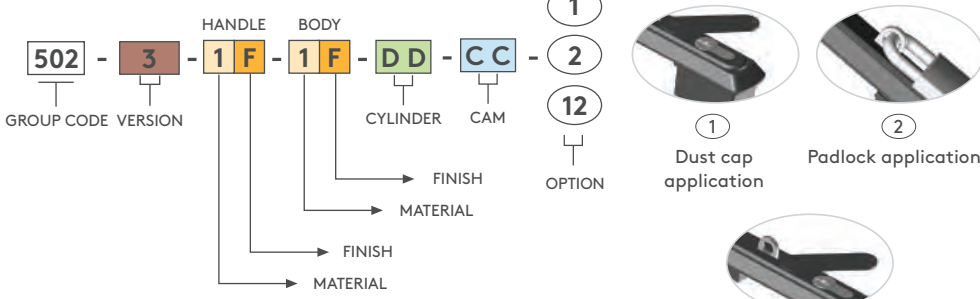
- 502**
- IP 65
- LH/RH
- RoHS

SWINGHANDLE GEAR BOX

ALL IN METAL



PRODUCT CODE



- Stainless steel version: page 424
- High-security swing handle for indoor and outdoor cabinets
- Ideal for double-skin door panels and outdoor cabinets
- Spring loaded ,slam-action swing handle
- Dust cap and padlockable versions optional

APPLICATIONS

Electric panels, outdoor cabinets

MATERIAL

- BODY: Zamak DIN-EN 1774-ZnAl4Cu1
 HANDLE: Zamak DIN-EN 1774-ZnAl4Cu1
 MECHANISM: Zamak DIN-EN 1774-ZnAl4Cu1
 SEAL: Polyurethane

MATERIAL	M	FINISH	F
Zamak	1	Chrome	1
		Black coated	2

ZAMAK CYLINDER	DD
Stainless steel dust cap (Keyed alike)	03
Stainless steel dust cap (Keyed differ)	32
CH751 (Stainless steel dust cap)	07

BRASS CYLINDER	DD
No cylinder	00
Keyed alike	11

HIGH-SECURITY CYLINDER			
Brass cylinder		Zamak cylinder	
Keyed alike	Keyed differ	Keyed alike	Keyed differ
20	21	22	23

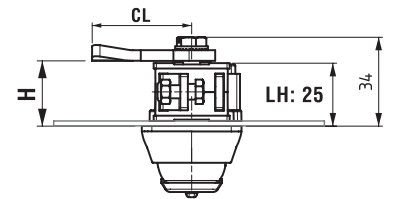
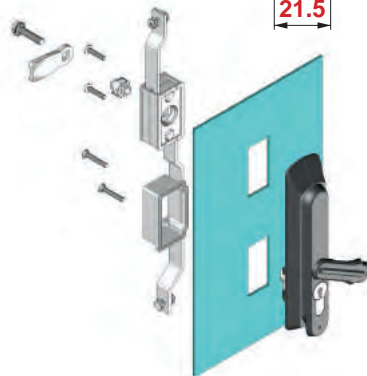
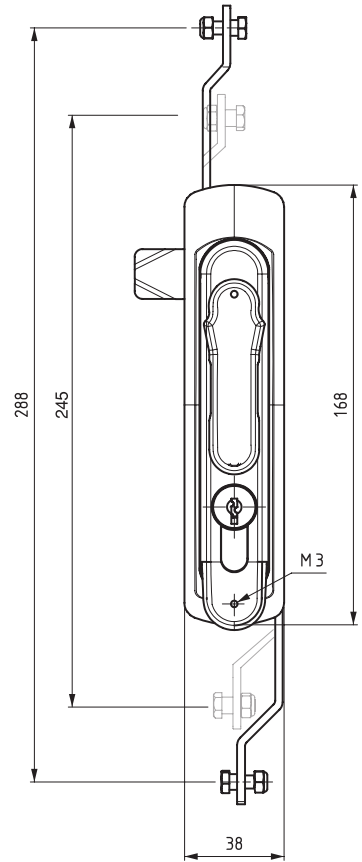
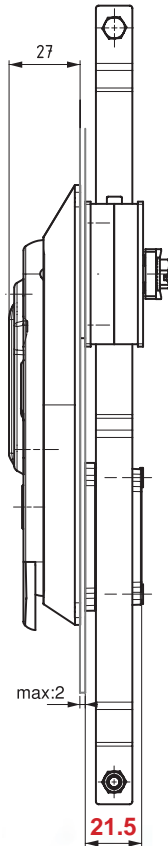
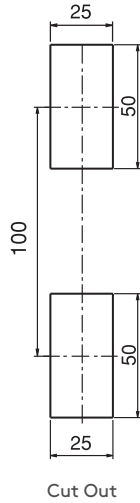
- For cams please check pages: 146 - 147
- For rods please check pages: 150- 161
- For keys please check pages: 162 - 163

ROD-LATCH SYSTEM

SWINGHANDLE GEAR BOX

602

ALL IN METAL



- All metal construction
- Swinghandle for steel and polyester cabinets
- 40 mm Euro Profile single cylinder fitted
- Improved corrosion resistance
- High-security, brass, Euro Profile single-cylinder available

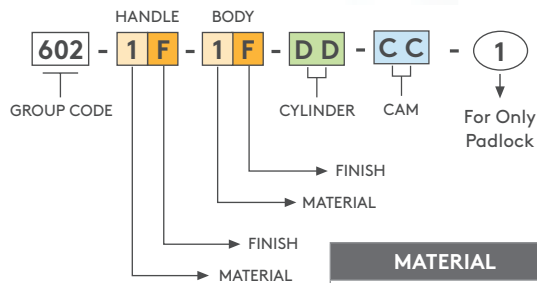
APPLICATIONS

Electric panels, machinery covers outdoor cabinets

MATERIAL

- BODY:** Zamak DIN-EN 1774-ZnAl4Cu1
- HANDLE:** Zamak DIN-EN 1774-ZnAl4Cu1
- COVER:** Zamak DIN-EN 1774-ZnAl4Cu1
- MECHANISM:** Zamak DIN-EN 1774-ZnAl4Cu1
- SEAL:** Polyurethane

PRODUCT CODE



① Padlock application

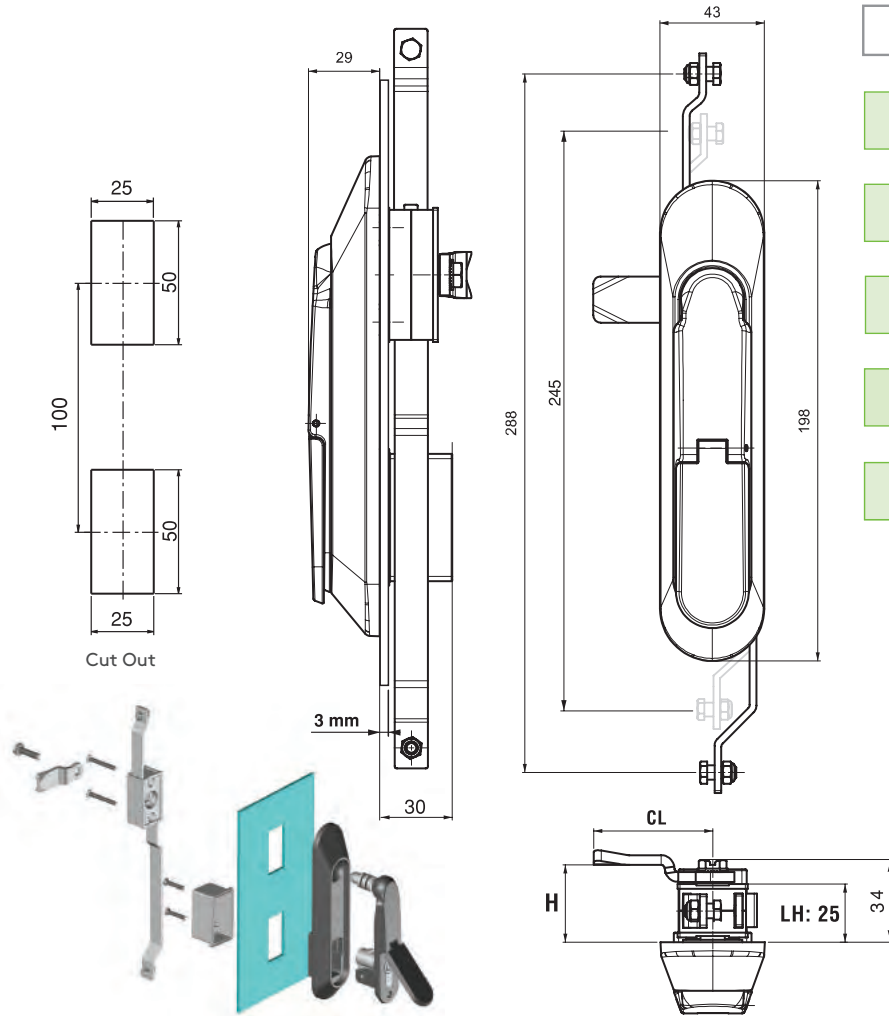
MATERIAL	M	FINISH	F
Zamak	1	Chrome	1
		Black coated	2

ZAMAK CYLINDER	DD
Stainless steel dust cap (Keyed alike)	03
Stainless steel dust cap (Keyed differ)	32
CH751 (Stainless steel dust cap)	07

BRASS CYLINDER	DD
No cylinder	00
Keyed alike	11

HIGH-SECURITY CYLINDER			
Brass cylinder		Zamak cylinder	
Keyed alike	Keyed differ	Keyed alike	Keyed differ
20	21	22	23

- For cams please check pages: 146 - 147
- For rods please check pages: 150 - 161
- For keys please check pages: 162 - 163



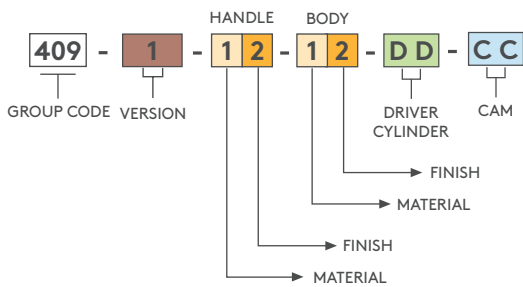
409 SWINGHANDLE GEAR BOX

- IP 66
- LH/RH
- RoHS



- All metal construction
- Special geometry protects against vandalism
- Improved corrosion resistance
- Double o-ring used for handle improves IP rating
- High-security cylinder alternative
- Improved IP rating with moving dust cap

PRODUCT CODE



MATERIAL	M
Zamak	1

FINISH	F
Black coated	2

APPLICATIONS

Electric panels, outdoor cabinets

MATERIAL

- BODY: Zamak DIN-EN 1774-ZnAl4Cu1
- HANDLE: Zamak DIN-EN 1774-ZnAl4Cu1
- MECHANISM: Zamak DIN-EN 1774-ZnAl4Cu1
- SEAL: Polyurethane
- COVER: Zamak DIN-EN 1774-ZnAl4Cu1
- CAM: Steel

CYLINDER TYPE

CYLINDER TYPE	DD
Keyed alike	01
Keyed differ	02
Master system	04
Euro key (5333)	05
CH751 (Stainless steel dust cap)	07

DRIVER TYPE

5 mm Double bit	8 mm Square	9 mm Triangular	Eastern
15	28	39	91

HIGH-SECURITY CYLINDER

Zamak cylinder	
Keyed alike	Keyed differ
22	23

- For cams please check pages: 146 - 147
- For rods please check pages: 150- 161
- For keys please check pages: 162 - 163

ROD-LATCH SYSTEM

SWINGHANDLE GEAR BOX

409

ALL IN METAL



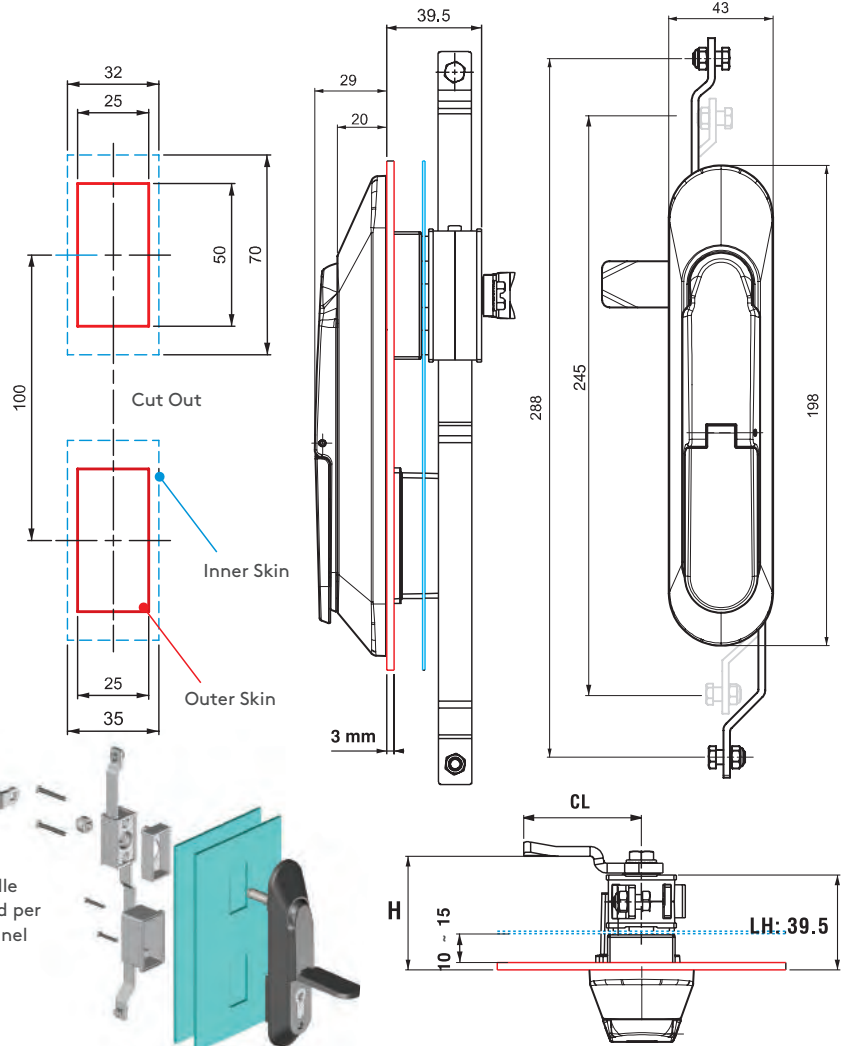
IP 66



LH/RH



RoHS



The swing handle can be modified per double-skin panel thickness.

- All metal construction
- Special geometry protects against vandalism
- Double o-ring handle improves IP rating
- High-security cylinder alternative
- Improved IP rating with moving dust cap

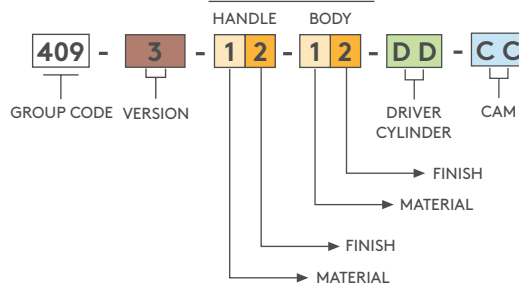
APPLICATIONS

Electric panels, outdoor cabinets

MATERIAL

BODY: Zamak DIN-EN 1774-ZnAl4Cu1
HANDLE: Zamak DIN-EN 1774-ZnAl4Cu1
MECHANISM: Zamak DIN-EN 1774-ZnAl4Cu1
SEAL: Polyurethane
COVER: Zamak DIN-EN 1774-ZnAl4Cu1

PRODUCT CODE



MATERIAL	M
Zamak	1

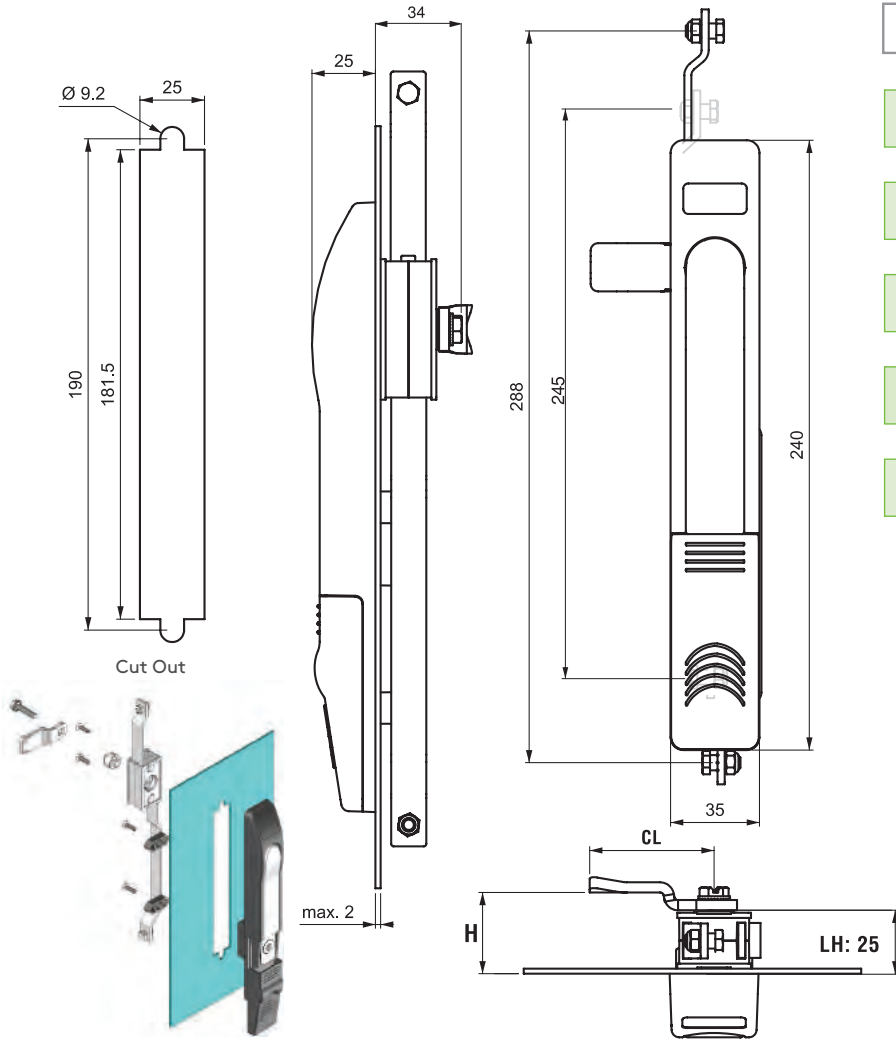
FINISH	F
Black coated	2

CYLINDER TYPE		DD
	Keyed alike	01
	Keyed differ	02
	Master system	04
	Euro key (5333)	05
	CH751 (Stainless steel dust cap)	07

DRIVER TYPE			
5 mm Double bit	8 mm Square	9 mm Triangular	Eastern
15	28	39	91

HIGH-SECURITY CYLINDER	
Zamak cylinder	
Keyed alike	Keyed differ
22	23

- For cams please check pages: 146 - 147
- For rods please check pages: 150 - 161
- For keys please check pages: 162 - 163



107 SWINGHANDLE GEAR BOX

- IP 65
- LH/RH
- RoHS



- Suitable for indoor applications
- Spring-loaded , slam action swing handle
- Sliding dust cover
- Suited for outside gasketing application

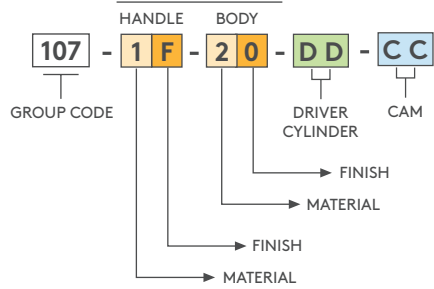
APPLICATIONS

Electric panels, machinery covers, rack cabinets

MATERIAL

- BODY: Polyamide DIN-EN ISO 1043-1 PA6 GFR 30
- HANDLE: Zamak DIN-EN 1774-ZnAl4Cu1
- MECHANISM: Zamak DIN-EN 1774-ZnAl4Cu1
- CAM: Steel
- SEAL: Polyurethane

PRODUCT CODE



DRIVERS		
5 mm Double bit	8 mm Square	9 mm Triangular
15	28	39

MATERIAL	M
Zamak	1
Plastic	2

FINISH	F
Chrome	1
Black coated	2

CYLINDER TYPE		DD
	Keyed alike	01
	Keyed differ	02
	Stainless steel dust cap (Keyed alike)	03
	Stainless steel dust cap (Keyed differ)	32
	Euro key (5333)	05
	CH751 (Stainless steel dust cap)	07

- For cams please check pages: 146 - 147
- For rods please check pages: 150- 161
- For keys please check pages: 162 - 163

ROD-LATCH SYSTEM

SWINGHANDLE GEAR BOX

207



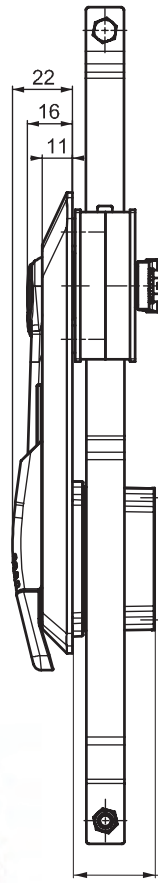
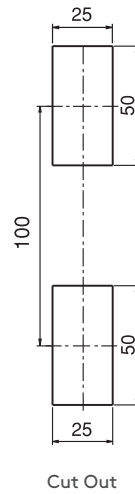
IP 65



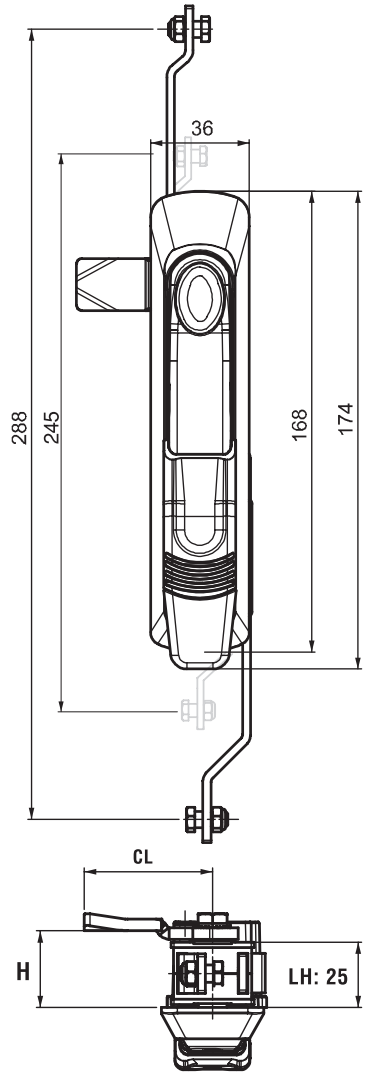
LH/RH



RoHS



23.5 : Zamak cylinder
30 : Brass cylinder



- Sliding dust cover
- Ergonomic handle
- Padlockable version available
- 40 mm Euro Profile cylinder fitted

APPLICATIONS

Electric panels, rack cabinets

MATERIAL

BODY: Polyamide DIN-EN ISO 1043-1 PA6 GFR 30

HANDLE: PA6 GFR 30 or Zamak DIN-EN 1774-ZnAl4Cu1

MECHANISM: PA6 GFR 30

CAM: Steel

SEAL: Polyurethane



1

Padlock application



For cams please check pages: 146 - 147

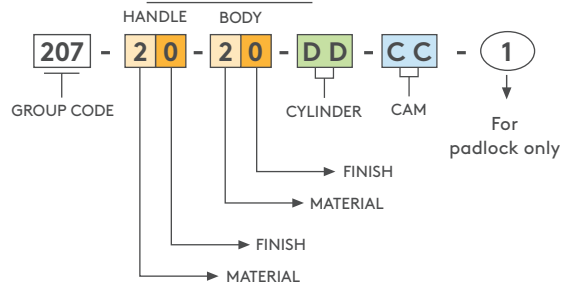


For rods please check pages: 150 - 161



For keys please check pages: 162 - 163

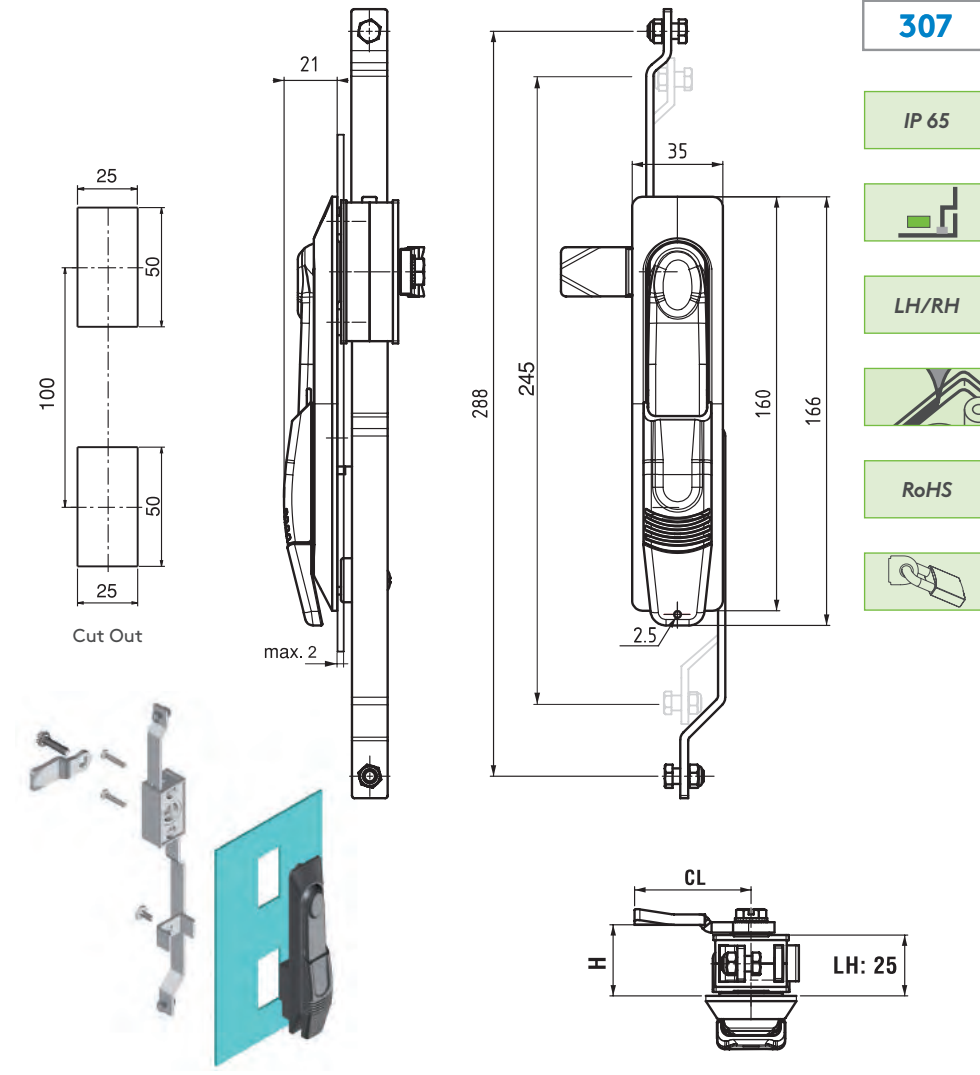
PRODUCT CODE



CYLINDER TYPE		DD
	Keyed alike	01
	Keyed differ	02
	Master system	04
	Euro key (5333)	05
	CH751 (Stainless steel dust cap)	07

DRIVER TYPE			
5 mm Double bit	8 mm Square	9 mm Triangular	Eastern
15	28	39	91

NO CYLINDER		DD
Plastic blind cylinder		24



307

SWINGHANDLE GEAR BOX

IP 65

LH/RH

RoHS



- Sliding dust cover
- Ergonomic handle
- Padlockable version available

APPLICATIONS

Electric panels, rack cabinets

MATERIAL

BODY: Polyamide DIN-EN ISO 1043-1 PA6 GFR 30
HANDLE: PA6 GFR 30
MECHANISM: PA6 GFR 30
CAM: Steel
SEAL: Polyurethane

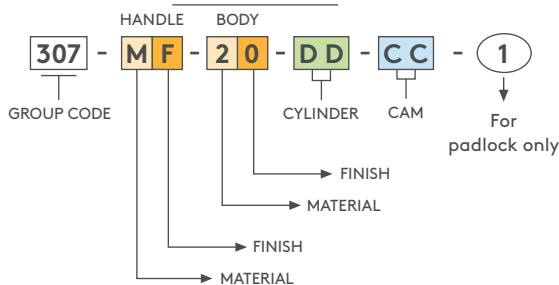


1

Padlock application

- For cams please check pages: 146 - 147
- For rods please check pages: 150- 161
- For keys please check pages: 162 - 163

PRODUCT CODE



MATERIAL	M
Zamak	1
Plastic	2

FINISH	F
Chrome	1
Black coated	2

DRIVERS		
5 mm Double bit	8 mm Square	9 mm Triangular
15	28	39

CYLINDER	SPECIFICATIONS	DD
	Keyed alike	01
	Keyed differ	02
	Stainless steel dust cap (Keyed alike)	03
	Stainless steel dust cap (Keyed differ)	32
	Euro key (5333)	05

▶ ROD-LATCH SYSTEM

LINEAR HANDLE LOCK

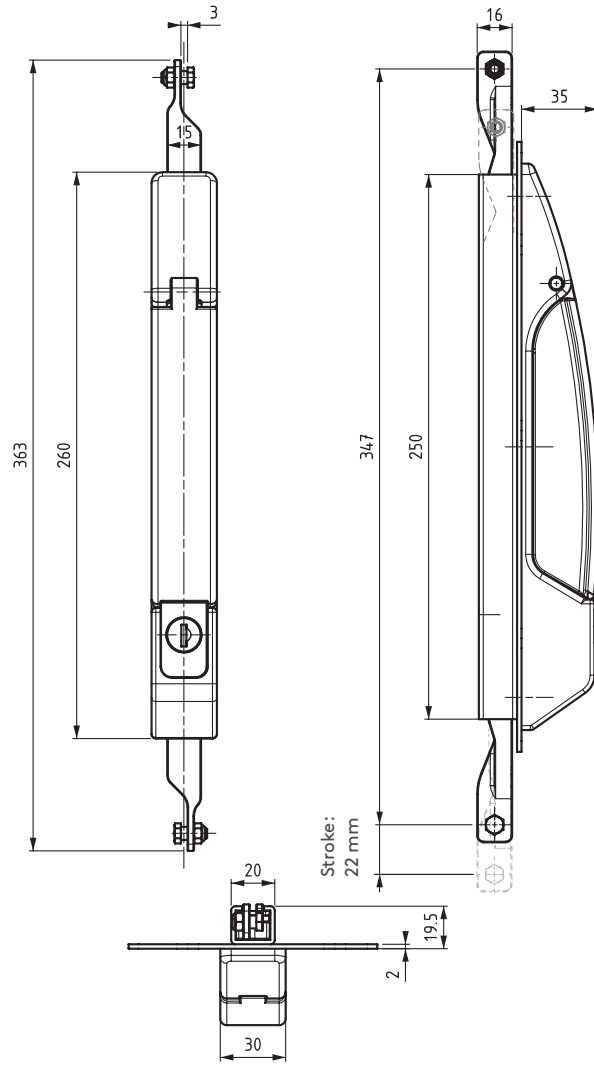
104

ALL IN METAL



LH/RH

RoHS



- Linear handle movement allows locking and unlocking
- Suitable for out-of-gasket applications

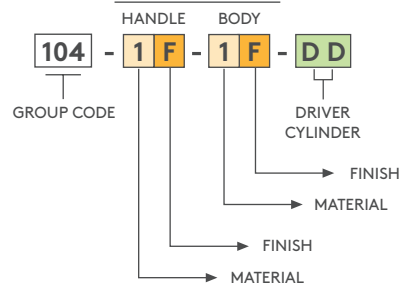
APPLICATIONS

Electric panels

MATERIAL

BODY: Zamak DIN-EN 1774-ZnAl4Cu1
HANDLE: Zamak DIN-EN 1774-ZnAl4Cu1
MECHANISM: Steel
CAM: Steel
SEAL: Polyurethane

PRODUCT CODE



DRIVERS		
5 mm Double bit	8 mm Square	9 mm Triangular
15	28	39

MATERIAL	M
Zamak	1

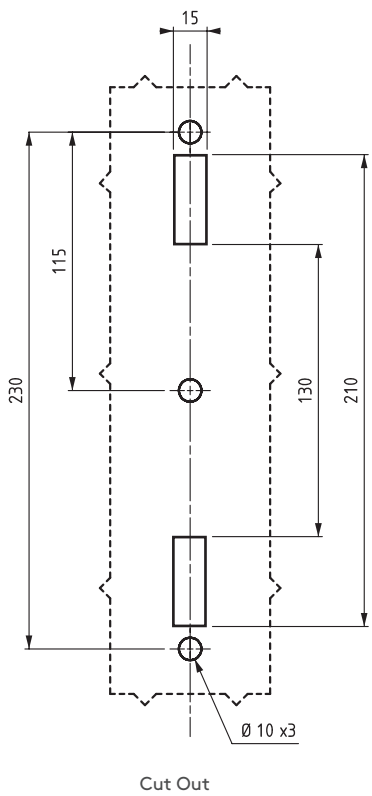
FINISH	F
Chrome	1
Black coated	2

CYLINDER TYPE		DD
	Keyed alike	01
	Keyed differ	02
	Stainless steel dust cap (Keyed alike)	03
	Stainless steel dust cap (Keyed differ)	32
	Euro key (5333)	05
	CH751 (Stainless steel dust cap)	07

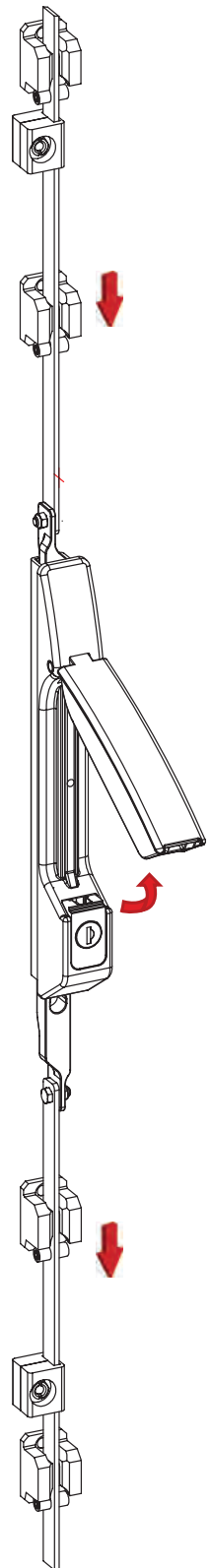
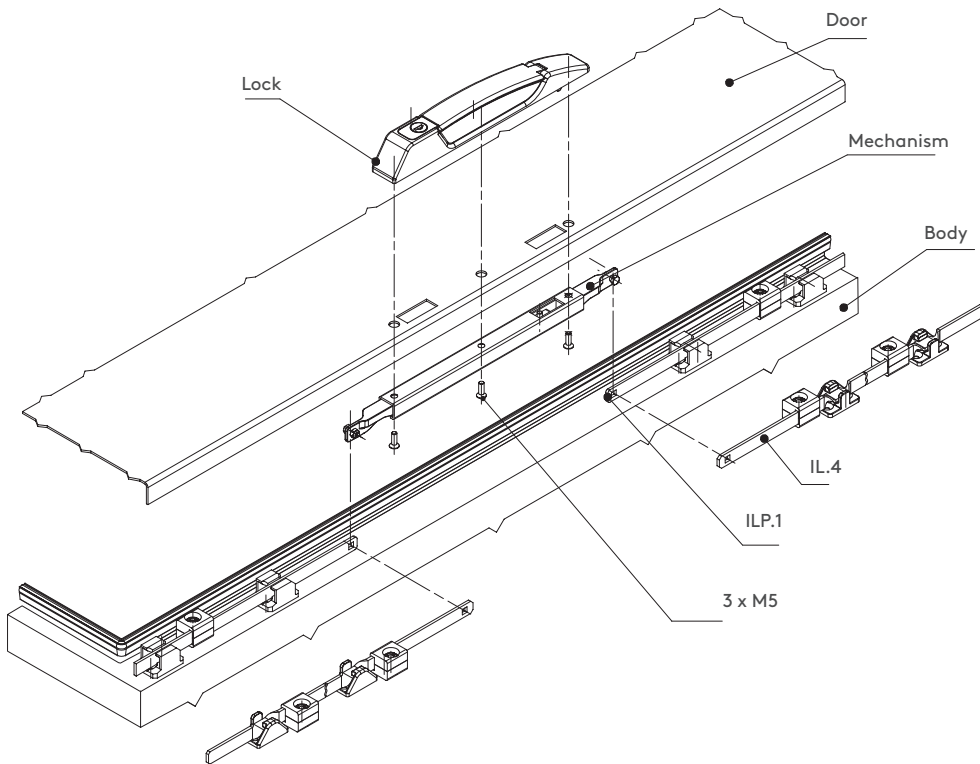


104

LINEAR HANDLE LOCK



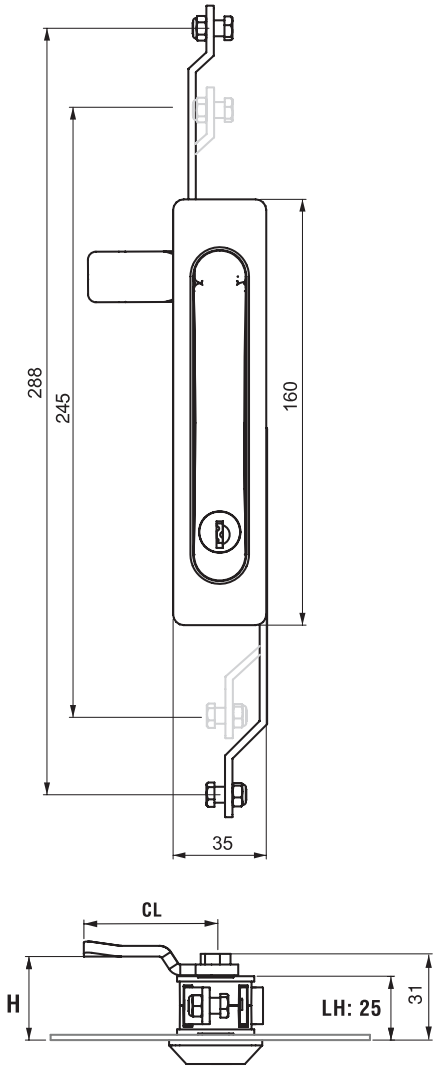
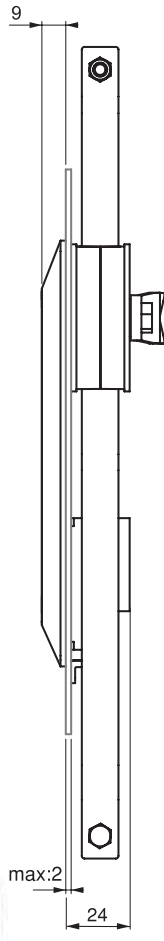
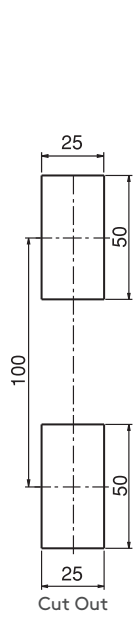
Application



ROD-LATCH SYSTEM

SWINGHANDLE GEAR BOX

- 109**
- IP 65
- LH/RH
- RoHS

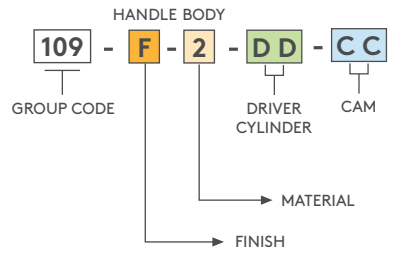


- Ultra-low external profile, just 9 mm, for flush appearance
- Spring loaded, slam-action swinghandle

APPLICATIONS
Electric panels, machinery covers, rack cabinets

MATERIAL
BODY: Polyamide DIN-EN ISO 1043-1 PA6 GFR 30
HANDLE: Zamak DIN-EN 1774-ZnAl4Cu1
MECHANISM: Zamak DIN-EN 1774-ZnAl4Cu1
CAM: Steel
SEAL: Polyurethane

PRODUCT CODE



MATERIAL	M
Plastic	2

FINISH	F
Chrome	1
Black coated	2

HIGH SECURITY CYLINDER	
Keyed alike	Keyed differ
20	21

DRIVERS		
5 mm Double bit	8 mm Square	9 mm Triangular
15	28	39

CYLINDER TYPE		DD
	Stainless steel dust cap (Keyed alike)	03
	Stainless steel dust cap (Keyed differ)	32
	Master System	04
	Euro Key (5333)	05
	CH751 (Stainless steel dust cap)	07

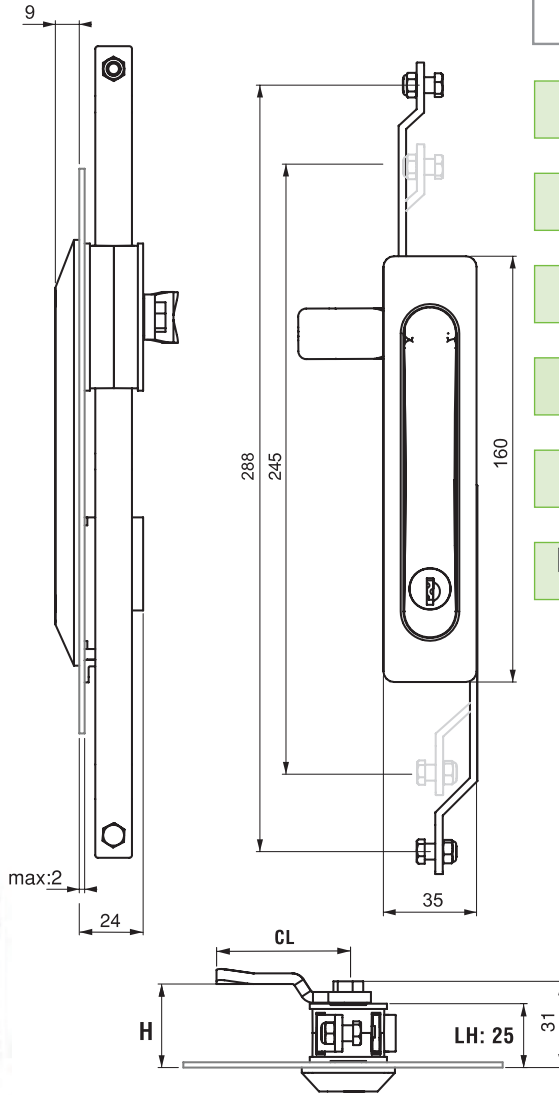
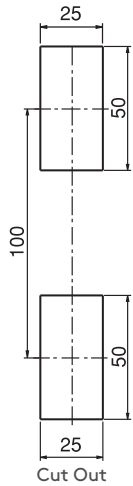
- For cams please check pages: 146 - 147
- For rods please check pages: 150 - 161
- For keys please check pages: 162 - 163



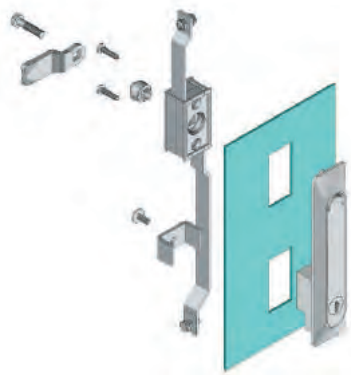
109

SWINGHANDLE GEAR BOX

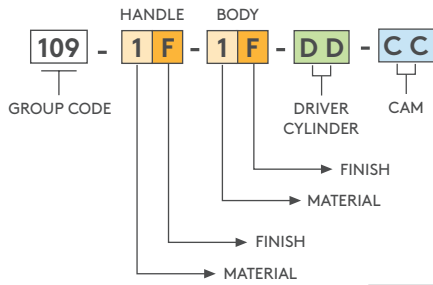
ALL IN METAL



- IP 65
- LH/RH
- RoHS



PRODUCT CODE



MATERIAL	M
Zamak	1

FINISH	F
Chrome	1
Black coated	2

HIGH SECURITY CYLINDER	
Keyed alike	Keyed differ
20	21

DRIVERS		
5 mm Double bit	8 mm Square	9 mm Triangular
15	28	39

CYLINDER TYPE		DD
	Stainless steel dust cap (Keyed alike)	03
	Stainless steel dust cap (Keyed differ)	32
	Master System	04
	Euro Key (5333)	05
	CH751 (Stainless steel dust cap)	07

- All metal construction
- Stronger and better looking than polyamide
- For customised colours contact Essentra
- Spring loaded, slam-action swinghandle

APPLICATIONS

Electric panels, machinery covers, rack cabinets

MATERIAL

- BODY: Zamak DIN-EN 1774-ZnAl4Cu1
- HANDLE: Zamak DIN-EN 1774-ZnAl4Cu1
- MECHANISM: Zamak DIN-EN 1774-ZnAl4Cu1
- CAM: Steel
- SEAL: Polyurethane

- For cams please check pages: 146 - 147
- For rods please check pages: 150- 161
- For keys please check pages: 162 - 163

ROD-LATCH SYSTEM

SWINGHANDLE GEAR BOX

909



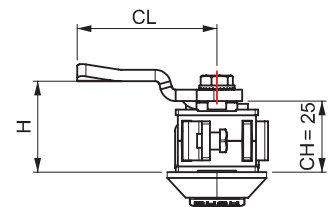
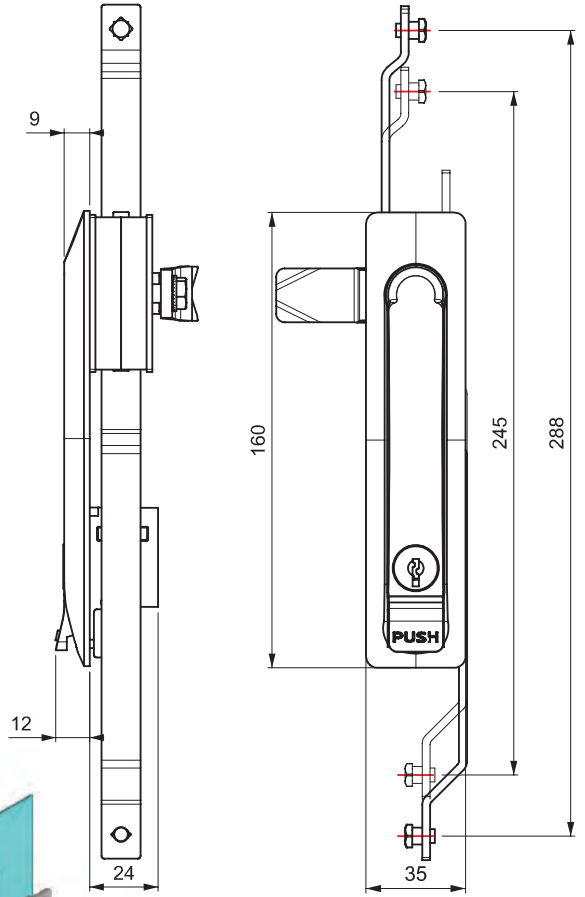
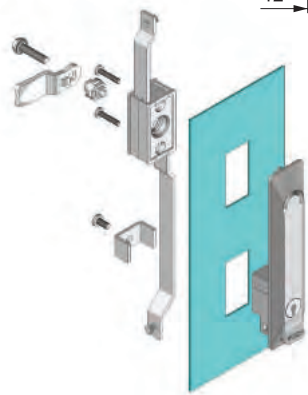
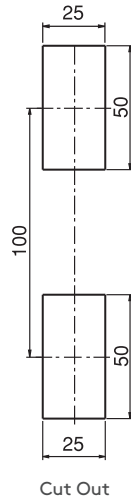
IP 65



LH/RH



RoHS



- Swing handle with push button
- Standard cut out
- Ultra low external profile, just 9 mm, to give flush appearance

APPLICATIONS

Electric panels, machinery covers, rack cabinets

MATERIAL

BODY: Zamak DIN-EN 774-ZnAl4Cu1 or PA6 GFR 30

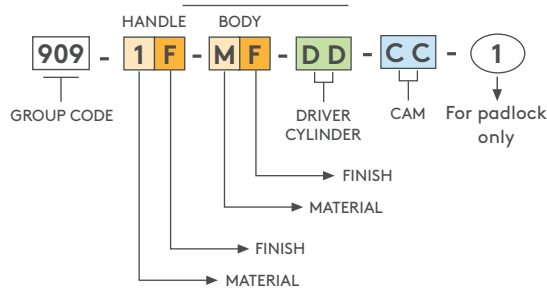
MECHANISM: Zamak DIN-EN 1774-ZnAl4Cu1

HANDLE: Zamak DIN-EN 1774-ZnAl4Cu1

CAM: Steel or PA6 GFR 30

SEAL: Polyurethane

PRODUCT CODE



MATERIAL	M
Zamak	1
Plastic	2

FINISH	F
Chrome	1
Black coated	2
No finish	0

HIGH-SECURITY CYLINDER	
Keyed alike	Keyed differ
20	21

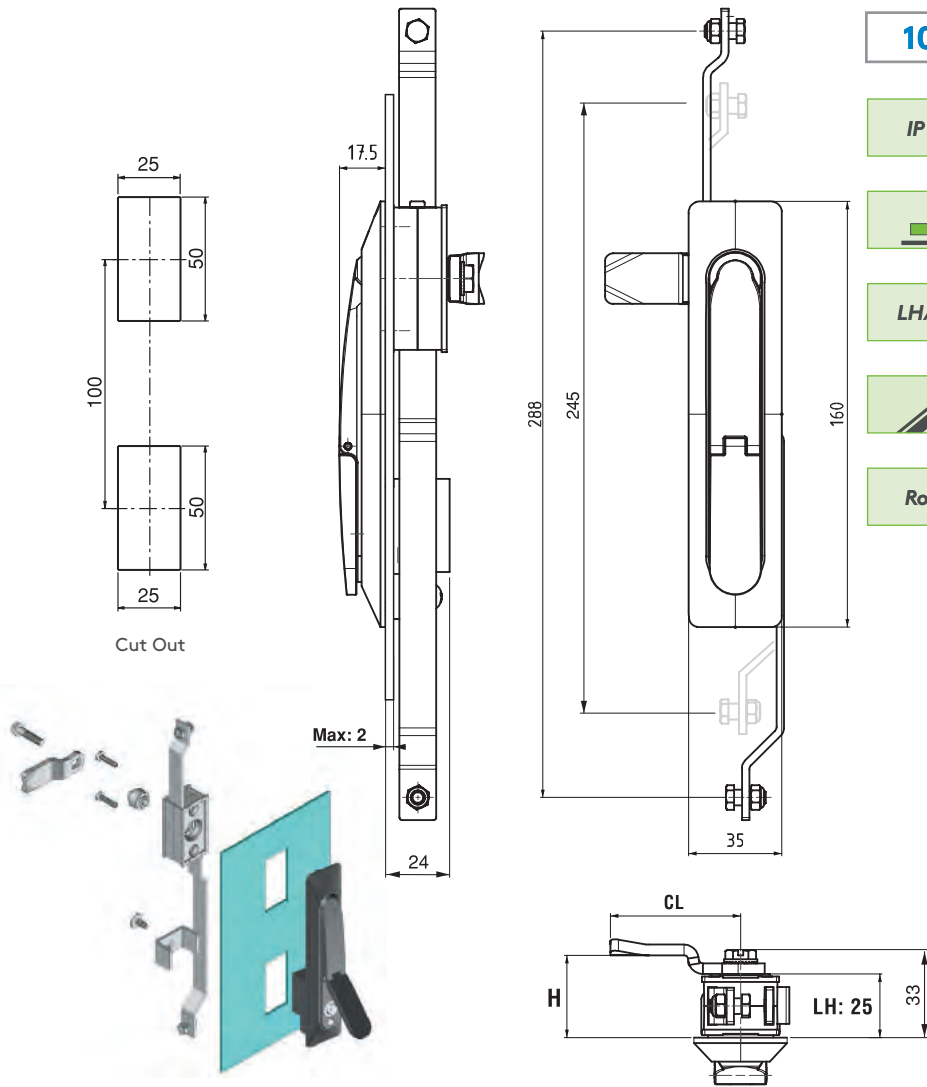
DRIVERS		
5 mm Double bit	8 mm Square	9 mm Triangular
15	28	39

CYLINDER TYPE		DD
	No Cylinder	00
	Stainless steel dust cap (Keyed alike)	03
	Stainless steel dust cap (Keyed differ)	32
	Master system	04
	Euro key (5333)	05
	CH751 (Stainless steel dust cap)	07

For cams please check pages: 146 - 147

For rods please check pages: 150 - 161

For keys please check pages: 162 - 163

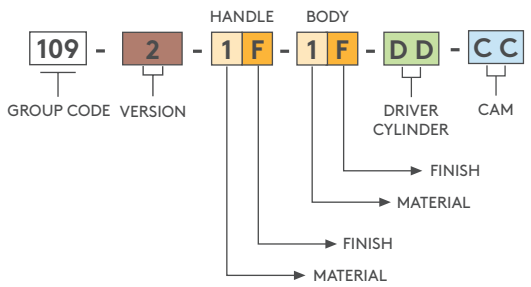


- 109**
- IP 65
- LH/RH
- RoHS



- All metal construction
- Improved corrosion resistance
- High-security cylinder alternative
- Improved IP resistance with moving dust cap

PRODUCT CODE



MATERIAL	M
Zamak	1

FINISH	F
Chrome	1
Black coated	2

HIGH-SECURITY CYLINDER	
Keyed alike	Keyed differ
20	21

DRIVERS		
5 mm Double bit	8 mm Square	9 mm Triangular
15	28	39

CYLINDER	SPECIFICATIONS	DD
	Stainless steel dust cap (Keyed alike)	03
	Stainless steel dust cap (Keyed differ)	32
	Master system	04
	Euro key (5333)	05
	CH751 (Stainless steel dust cap)	07

- APPLICATIONS**
Electric panels, outdoor cabinets
- MATERIAL**
BODY: Zamak DIN-EN 1774-ZnAl4Cu1
HANDLE: Zamak DIN-EN 1774-ZnAl4Cu1
MECHANISM: Zamak DIN-EN 1774-ZnAl4Cu1
CAM: Steel
SEAL: Polyurethane

- For cams please check pages: 146 - 147
- For rods please check pages: 150- 161
- For keys please check pages: 162 - 163

ROD-LATCH SYSTEM

SWINGHANDLE GEAR BOX

109



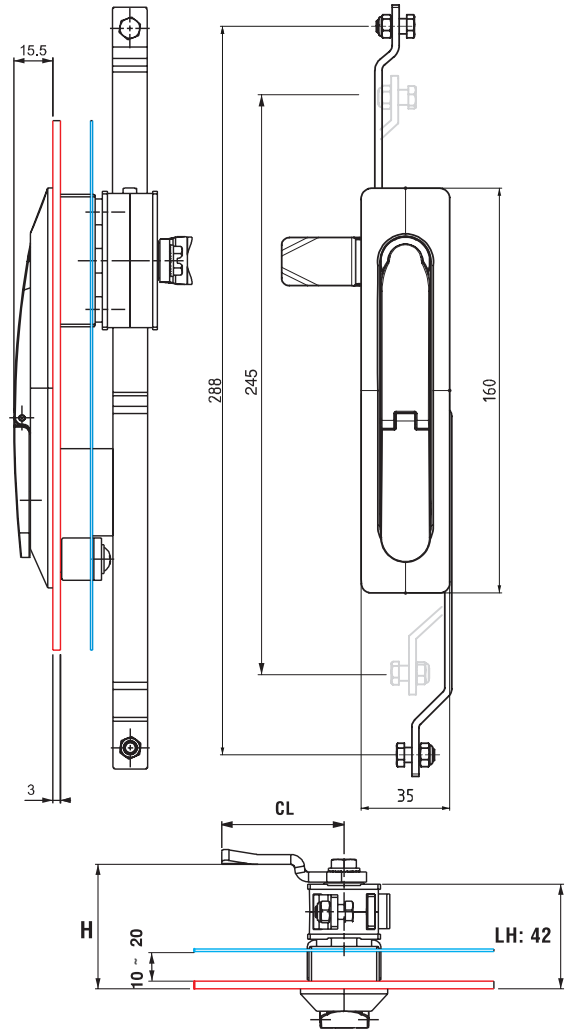
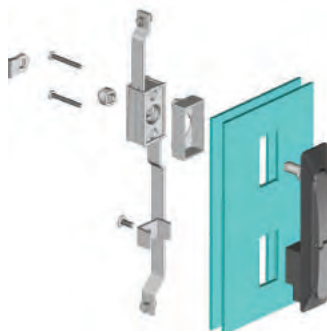
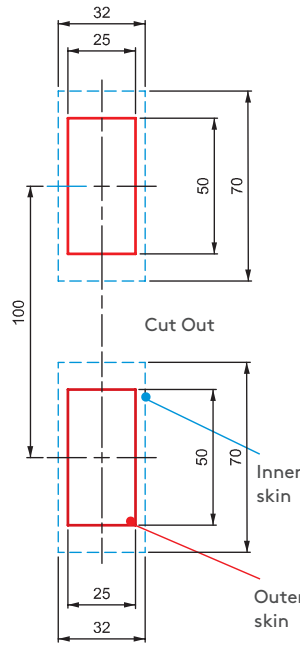
IP 65



LH/RH



RoHS



The swing handle can be modified per double-skin panel thickness.

- Ideal for double-skin doors and outdoor cabinets
- Stronger body to protect against vandalism
- High-security cylinder with specially shaped key prevents unauthorized duplication
- Improved IP resistance with moving dust cap
- Spring-loaded handle, slam action

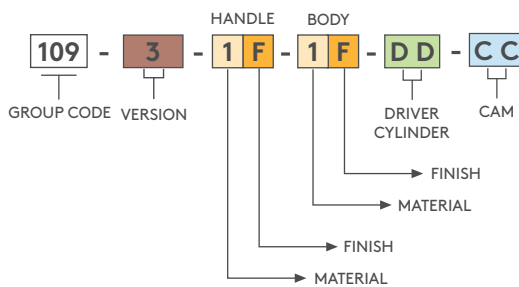
APPLICATIONS

Electric panels, outdoor cabinets

MATERIAL


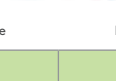
BODY: Zamak DIN-EN 1774-ZnAl4Cu1
HANDLE: Zamak DIN-EN 1774-ZnAl4Cu1
MECHANISM: Zamak DIN-EN 1774-ZnAl4Cu1
CAM: Steel
SEAL: Polyurethane




PRODUCT CODE





MATERIAL	M
Zamak	1

FINISH	F
Chrome	1
Black coated	2

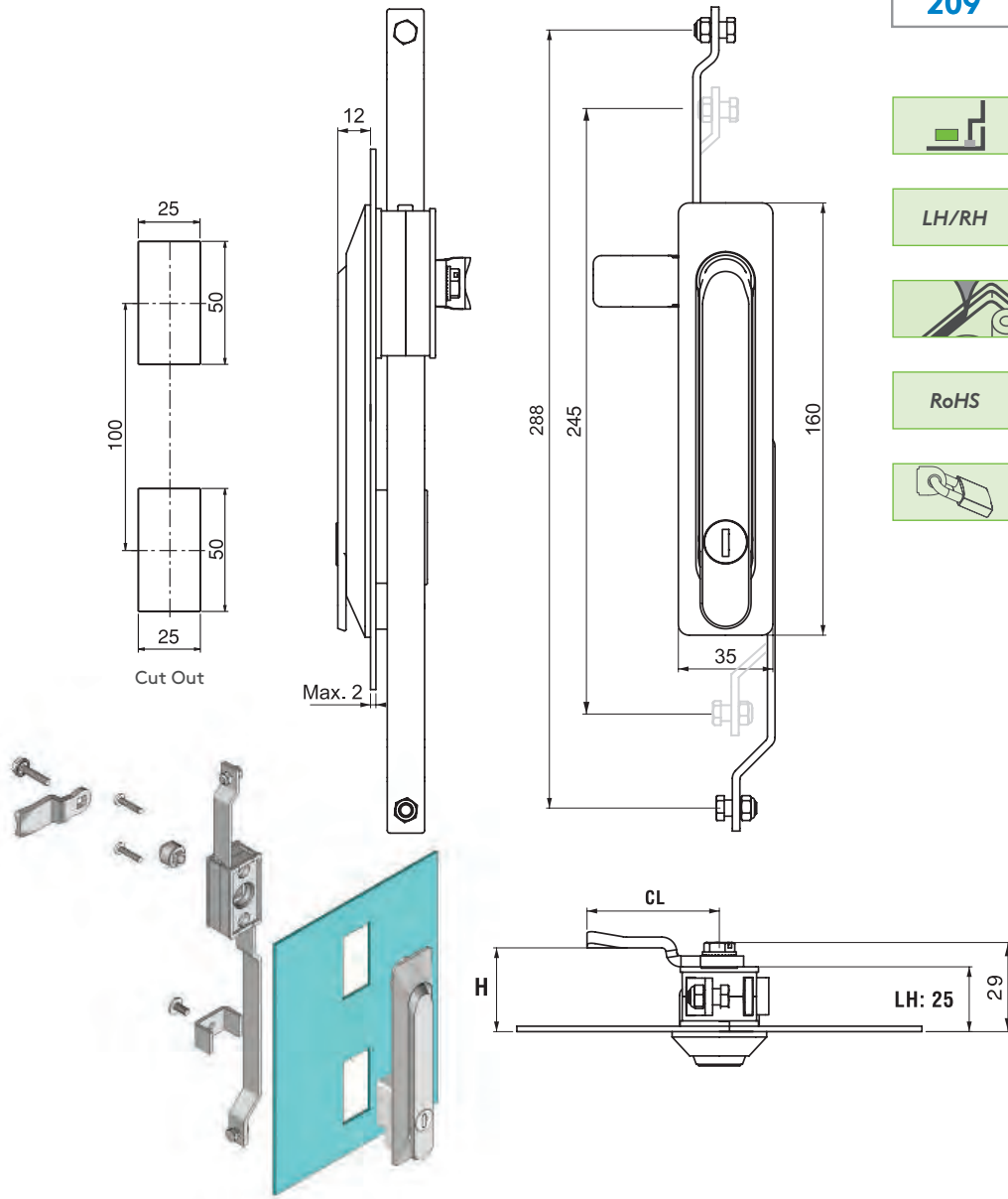
HIGH-SECURITY CYLINDER	
 Keyed alike	 Keyed differ
20	21

DRIVERS		
5 mm Double bit 	8 mm Square 	9 mm Triangular 
15	28	39

CYLINDER	SPECIFICATIONS	DD
	Stainless steel dust cap (Keyed alike)	03
	Stainless steel dust cap (Keyed differ)	32
	Master system	04
	Euro key (5333)	05
	CH751 (Stainless steel dust cap)	07

 For cams please check pages: 146 - 147

 For rods please check pages: 150 - 161



209 SWINGHANDLE GEAR BOX

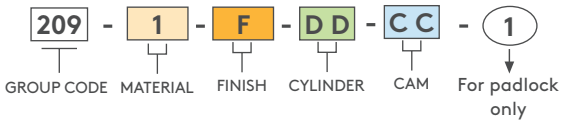
ALL IN METAL

-
- LH/RH
-
- RoHS
-



- All metal construction
- Stronger and better looking than polyamide
- Handle is not spring loaded and slam action
- Can remove key in unlocked position

PRODUCT CODE



1 Padlock application

MATERIAL	M
Zamak	1

FINISH	F
Chrome	1
Black coated	2

CYLINDER	SPECIFICATIONS	DD
	Stainless steel dust cap (Keyed alike)	03
	Stainless steel dust cap (Keyed differ)	32
	Master system	04
	Euro key (5333)	05
	CH751 (Stainless steel dust cap)	07

APPLICATIONS

Electric panels, machinery covers, rack cabinets

MATERIAL

- BODY: Zamak DIN-EN 1774-ZnAl4Cu1
- HANDLE: Zamak DIN-EN 1774-ZnAl4Cu1
- MECHANISM: Zamak DIN-EN 1774-ZnAl4Cu1
- CAM: Steel
- SEAL: Polyurethane

For cams please check pages: 146 - 147

For rods please check pages: 150- 161

▶ ROD-LATCH SYSTEM

SWINGHANDLE GEAR BOX

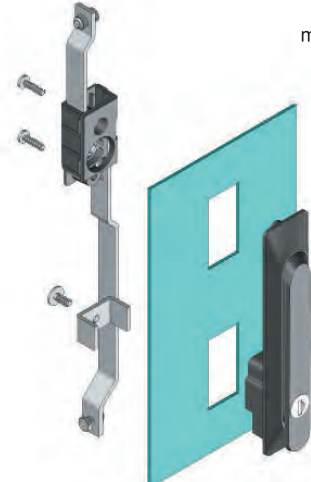
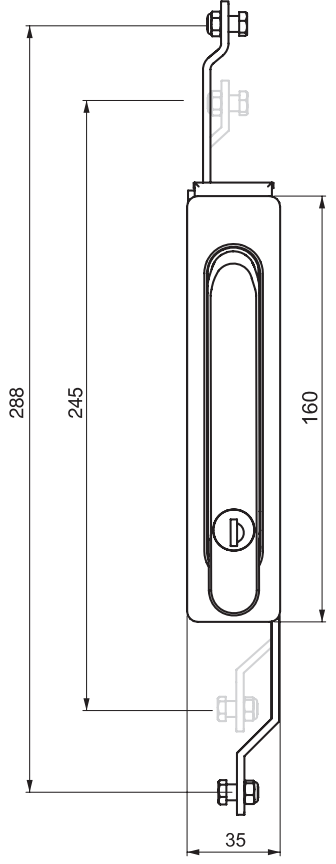
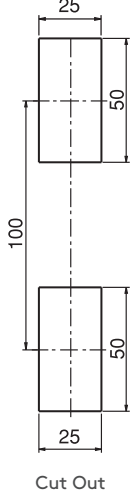
209



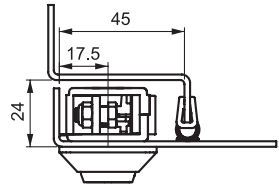
LH/RH



RoHS



Outside of gasketing

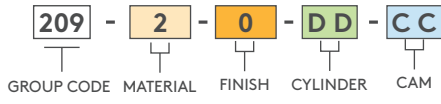


- Small version: page 68
- Swinghandle can be applied outside gasketing
- Special gearbox is used
- Provides 3 point locking
- Offers an economical solution

APPLICATIONS
Electric panels, machinery covers, rack cabinets

MATERIAL
BODY: Polyamide DIN-EN ISO 1043-1 PA6 GFR 30
MECHANISM: PA66
HANDLE: Polyamide DIN-EN ISO 1043-1 PA6 GFR 30
SEAL: Polyurethane

PRODUCT CODE



For three-point application please use "CC" number for cam instead of "00".

CYLINDER	SPECIFICATIONS	DD
	Stainless steel dust cap (Keyed alike)	03
	Stainless steel dust cap (Keyed differ)	32
	Master system	04
	Euro key (5333)	05
	CH751 (Stainless steel dust cap)	07

For cams please check pages: 146 - 147
 For rods please check pages: 150 - 161



219

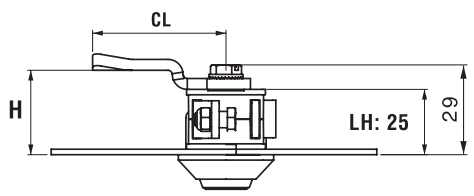
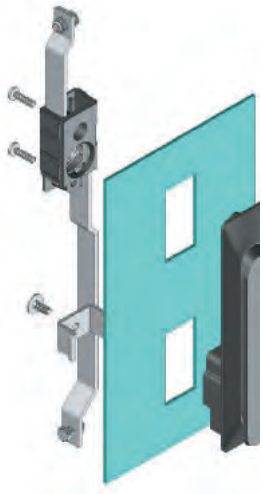
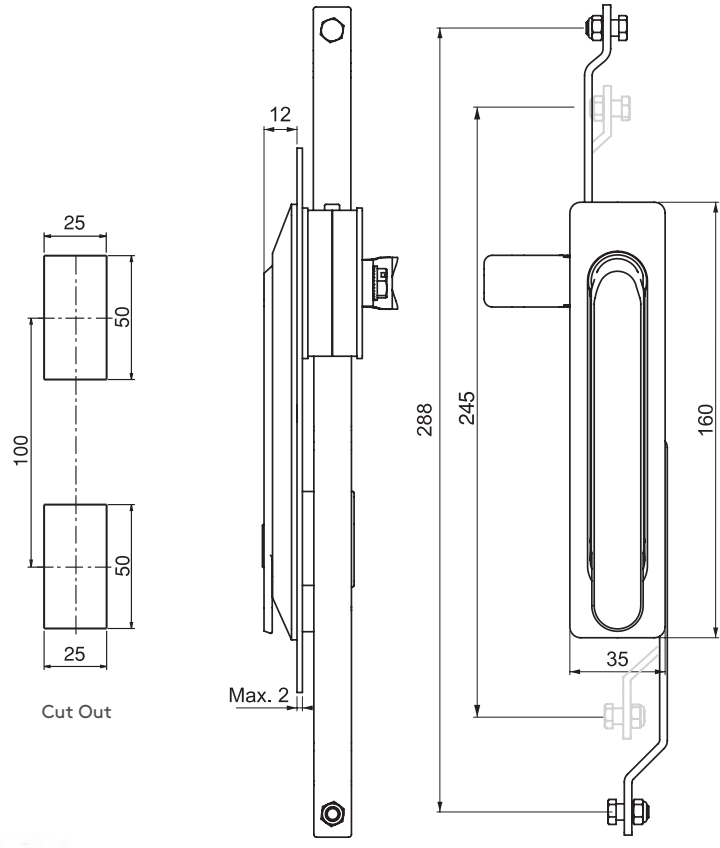
SWINGHANDLE GEAR BOX



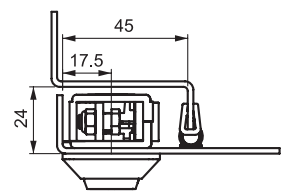
LH/RH



RoHS



Outside of gasketing



- Small version: page 69
- Concealed special cam on handle provides fixing
- Swinghandle can be applied outside gasketing
- Offers an economical solution

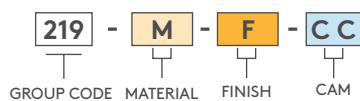
APPLICATIONS

Electric panels, machinery covers, rack cabinets

MATERIAL

- BODY: Zamak DIN-EN 1774-ZnAl4Cu1 or PA6 GFR 30
- HANDLE: Zamak DIN-EN 1774-ZnAl4Cu1 or PA6 GFR 30
- MECHANISM: Zamak DIN-EN 1774-ZnAl4Cu1
- CAM: Steel
- SEAL: Polyurethane

PRODUCT CODE



MATERIAL	M
Zamak	1
Plastic	2

FINISH	F
Chrome	1
Black coated	2
No finish	0

For cams please check pages: 146 - 147

For rods please check pages: 150- 161



ROD-LATCH SYSTEM

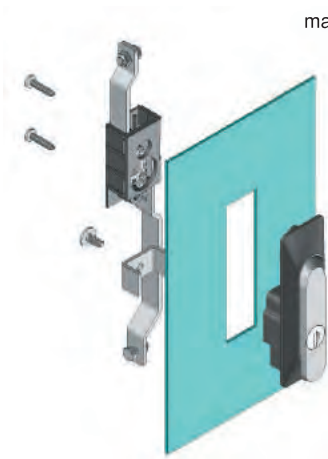
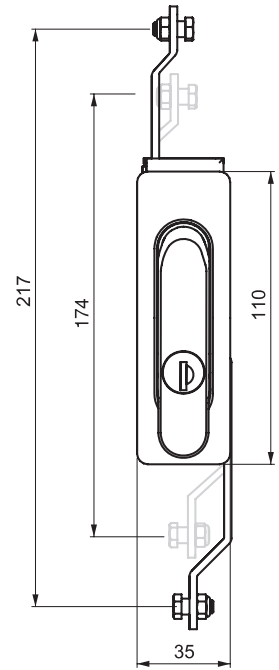
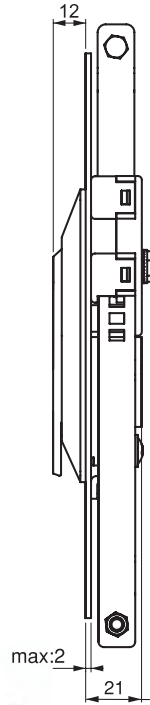
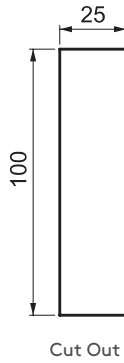
SWINGHANDLE GEAR BOX

309

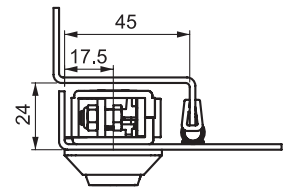
SMALL VERSION



- 
- LH/RH**
- 
- RoHS**



Outside of gasketing



- Large version: page 66
- Swinghandle can be applied outside gasketing
- Special gear-box is used
- Three-point locking
- 25 mm x 100 mm cut out

APPLICATIONS

Electric panels, machinery covers, rack cabinets

MATERIAL

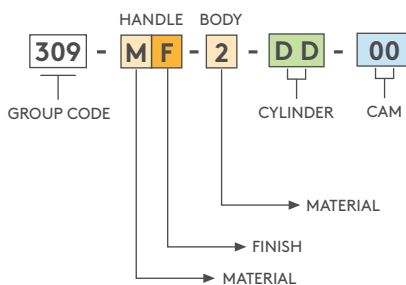
BODY: Polyamide DIN-EN ISO 1043-1 PA6 GFR 30

MECHANISM: PA66

HANDLE: Zamak DIN-EN 1774-ZnAl4Cu1 or PA6 GFR 30

SEAL: Polyurethane

PRODUCT CODE



For three-point application please use "CC" number for cam instead of "00".


MATERIAL	M	FINISH	F
Zamak	1	Chrome	1
		Black coated	2
Plastic	2	No finish	0


HIGH-SECURITY CYLINDER



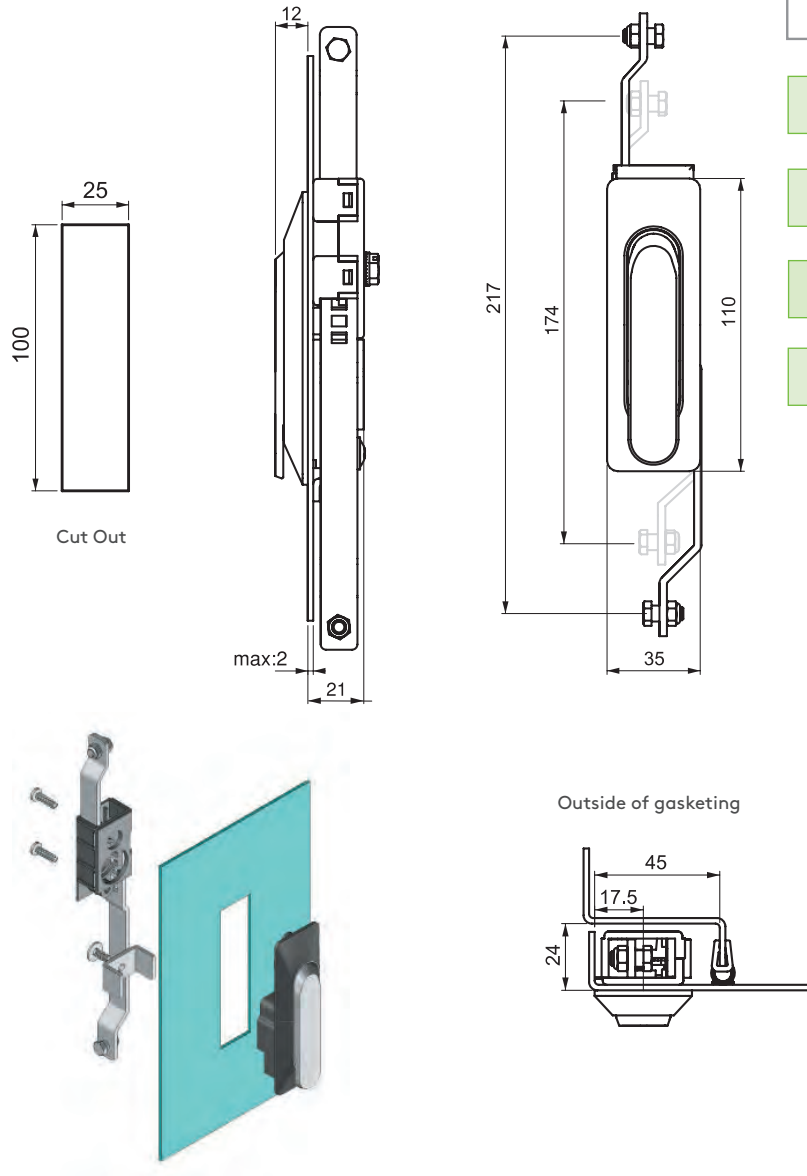
Keyed alike Keyed differ

20	21
-----------	-----------

CYLINDER	SPECIFICATIONS	DD
	Stainless steel dust cap (Keyed alike)	03
	Stainless steel dust cap (Keyed differ)	32
	Master system	04
	Euro key (5333)	05
	CH751 (Stainless steel dust cap)	07

 For cams please check pages: 146 - 147

 For rods please check pages: 150 - 161



- 319
- LH/RH
- RoHS

SWINGHANDLE GEAR BOX

SMALL VERSION



- Large version: page 67
- Concealed special cam on handle provides locking
- A special gearbox is used
- Three-point locking
- 25 mm x 100 mm cut out

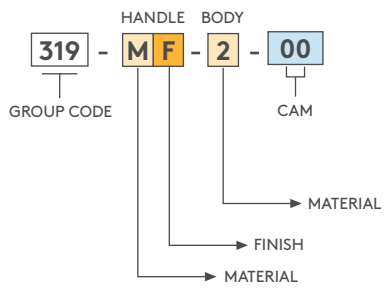
APPLICATIONS

Electric panels, machinery covers, rack cabinets

MATERIAL

- BODY: Polyamide DIN-EN ISO 1043-1 PA6 GFR 30
- MECHANISM: PA66
- HANDLE: Zamak DIN-EN 1774-ZnAl4Cu1 or PA6 GFR 30
- SEAL: Polyurethane

PRODUCT CODE



For three-point application please use "CC" number for cam instead of "00".

MATERIAL	M	FINISH	F
Zamak	1	Chrome	1
		Black coated	2
Plastic	2	No finish	0

For cams please check pages: 146 - 147
 For rods please check pages: 150- 161

ROD-LATCH SYSTEM

SWINGHANDLE GEAR BOX

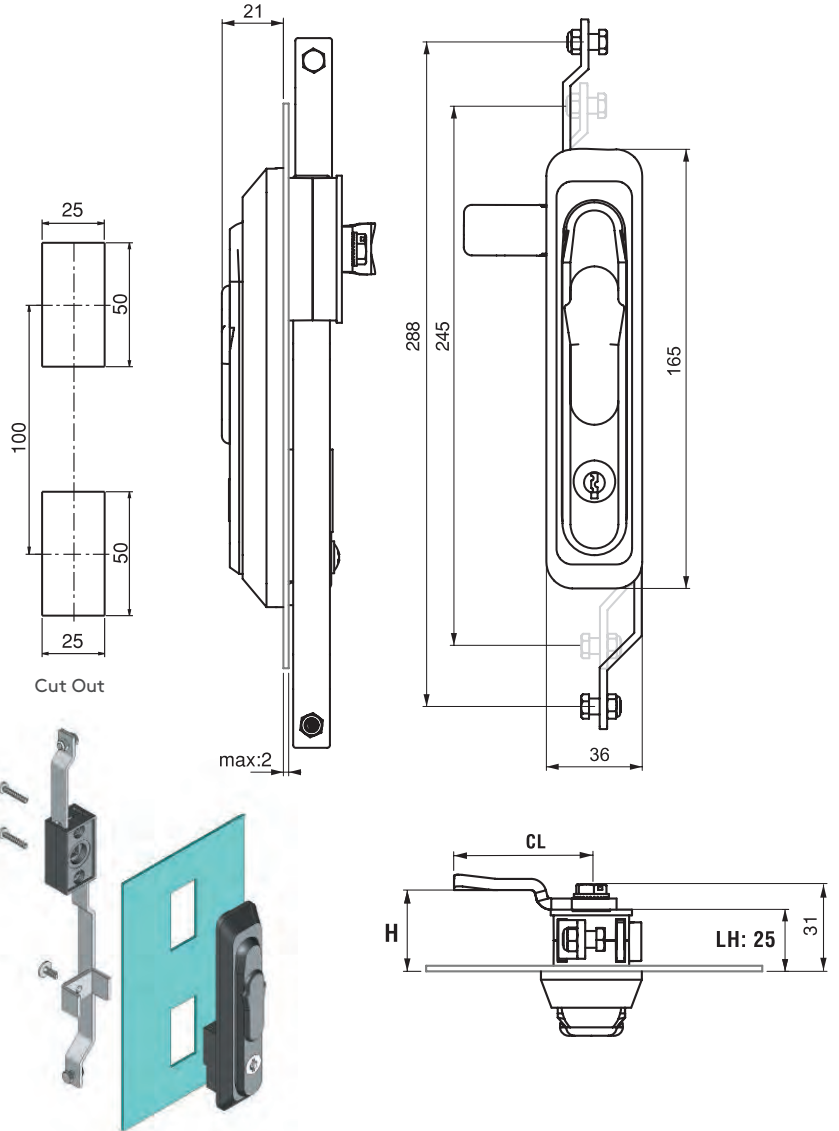
007



LH/RH



RoHS



- Lower strength swing-handle that accepts cylindrical drivers only
- Spring-loaded, slam-action swinghandle
- Can use indoors
- Competitive price with polyamide gearbox

APPLICATIONS

Electric panels, machinery covers, rack cabinets

MATERIAL

BODY: Polyamide DIN-EN ISO 1043-1 PA6 GFR 30
HANDLE: PA6 GFR 30
MECHANISM: PA6 GFR 30
CAM: Steel
SEAL: Polyurethane

PRODUCT CODE

007 - DD - CC
 GROUP CODE DRIVER CYLINDER CAM

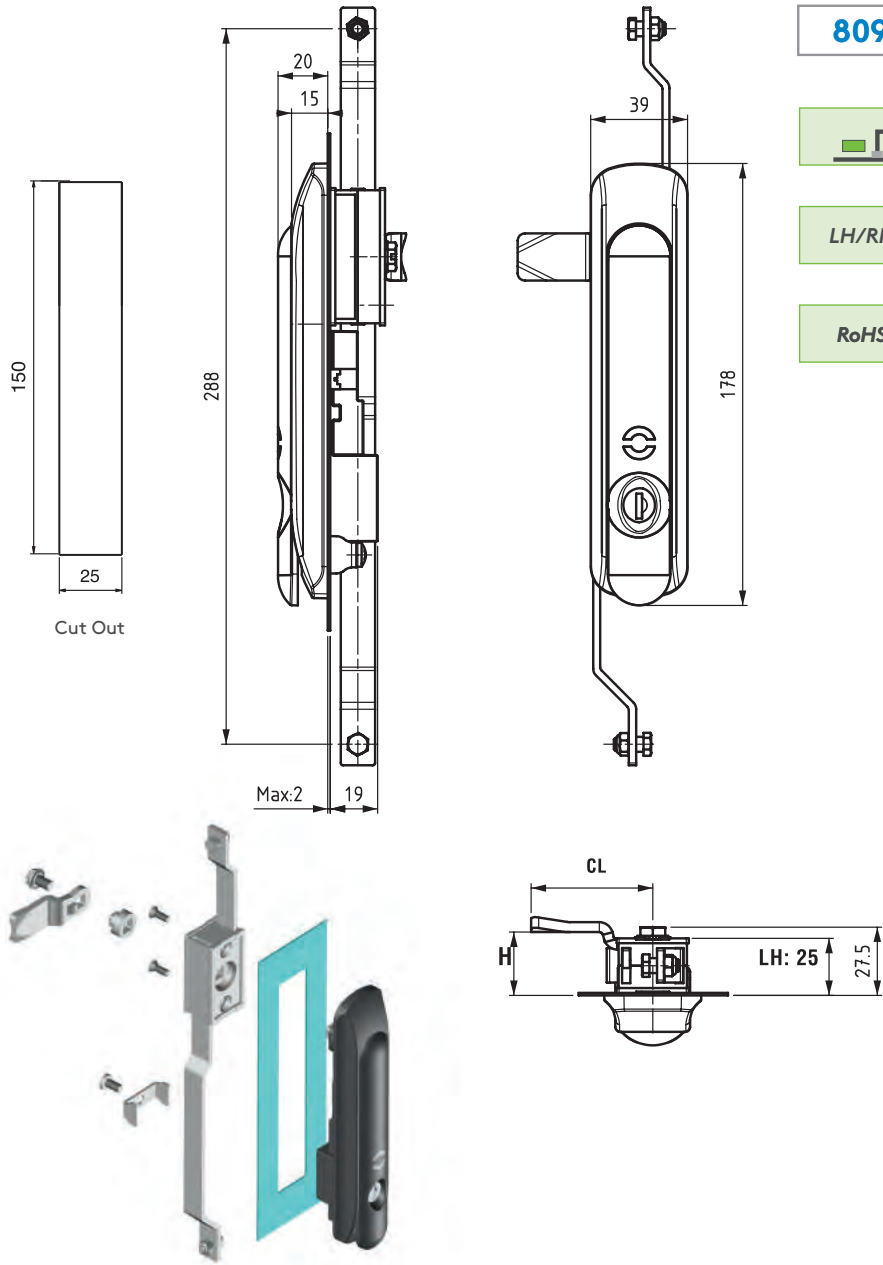
DRIVERS

5 mm Double bit	8 mm Square	9 mm Triangular
15	28	39

CYLINDER TYPE

	DD
	01
	02
	03
	32
	05
	07

- For cams please check pages: 146 - 147
- For rods please check pages: 150 - 161
- For keys please check pages: 162 - 163



809 SWINGHANDLE GEAR BOX

-  **809**
-  LH/RH
-  RoHS



• Offers an economical solution

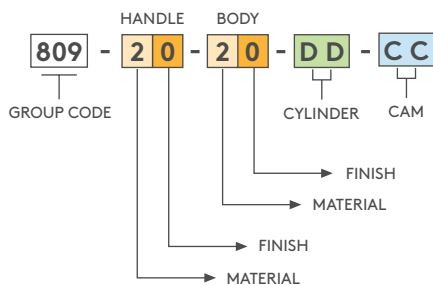
APPLICATIONS


Electric panels, machinery covers, rack cabinets



MATERIAL

- BODY: Polyamide DIN-EN ISO 1043-1 PA6 GFR 30
- MECHANISM: Zamak DIN-EN 1774-ZnAl4Cu1
- HANDLE: Polyamide DIN-EN ISO 1043-1 PA6 GFR 30
- SEAL: Polyurethane

PRODUCT CODE



CYLINDER	SPECIFICATIONS	DD
	Stainless steel dust cap (Keyed alike)	03
	Stainless steel dust cap (Keyed differ)	32
	Master system	04
	Euro key (5333)	05
	CH751 (Stainless steel dust cap)	07

 For cams please check pages: 146 - 147
 For rods please check pages: 150- 161

▶ ROD LATCH SYSTEM

THREE-POINT LOCK - WING KNOB

103



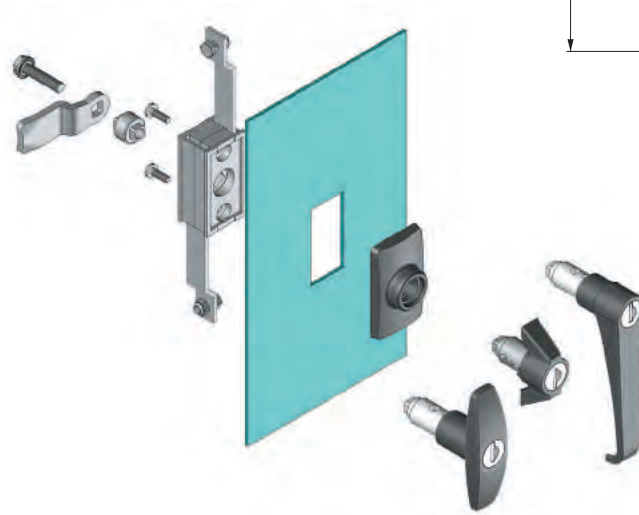
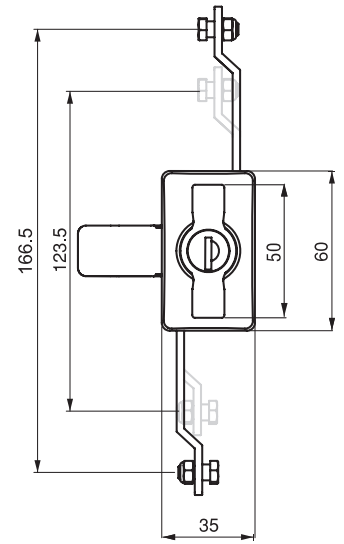
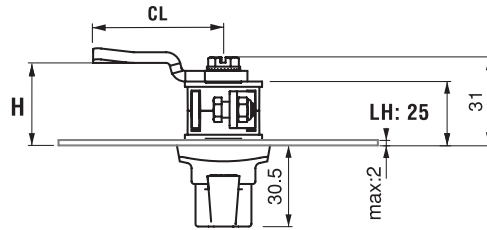
LH

RH



RoHS

V : 2



- Wing knob, T handle and L handle available
- Optional blind version
- Standard 25 mm x 50 mm cut out

APPLICATIONS

Electric panels, machinery covers

MATERIAL

BODY: Zamak or PA6 GFR 30

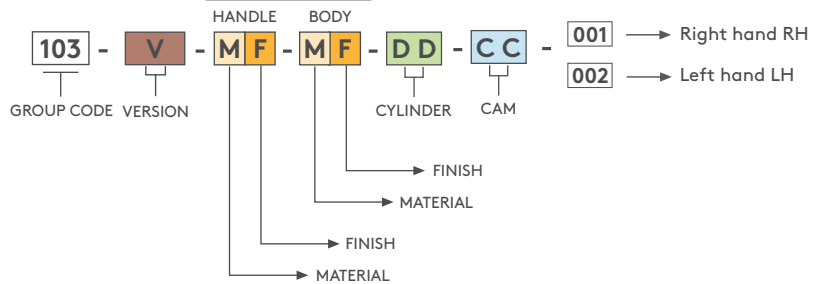
HANDLE: Zamak or PA6 GFR 30

MECHANISM: Zamak DIN-EN 1774-ZnAl4Cu1

CAM: Steel

SEAL: Polyurethane

PRODUCT CODE



No cylinder '00'



MATERIAL	M	FINISH	F
Zamak	1	Chrome	1
		Black coated	2
Plastic	2	No finish	0

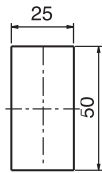
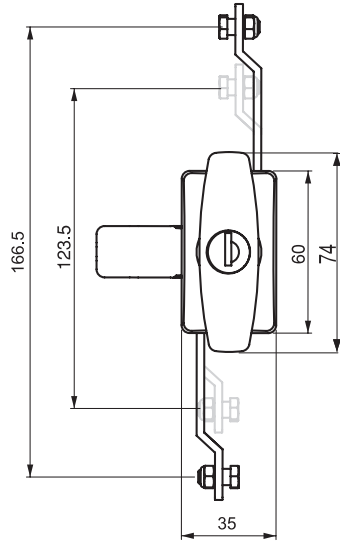
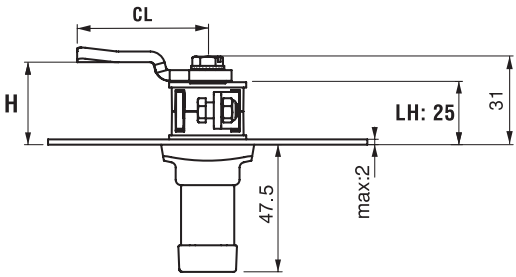
CYLINDER	SPECIFICATIONS	DD
	No cylinder	00
	Keyed alike	01
	Keyed differ	02
	Euro key (5333)	05
	CH751 (Stainless steel dust cap)	07

For cams please check pages: 146 - 147

For rods please check pages: 150 - 161

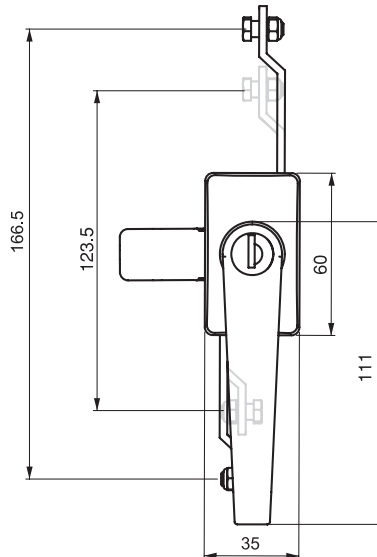
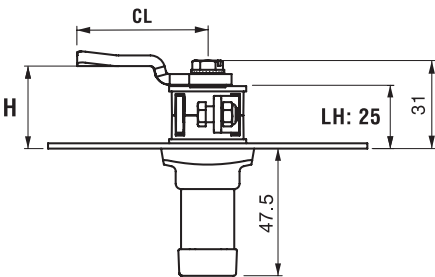


V : 3



Cut Out

V : 4



103

THREE-POINT LOCK - T HANDLE



LH

RH



RoHS



103

THREE-POINT LOCK - L HANDLE



For cams please check pages: 146 - 147
For rods please check pages: 150- 161

▶ ROD-LATCH SYSTEM

THREE-POINT LOCK - WING KNOB

203

IP 54

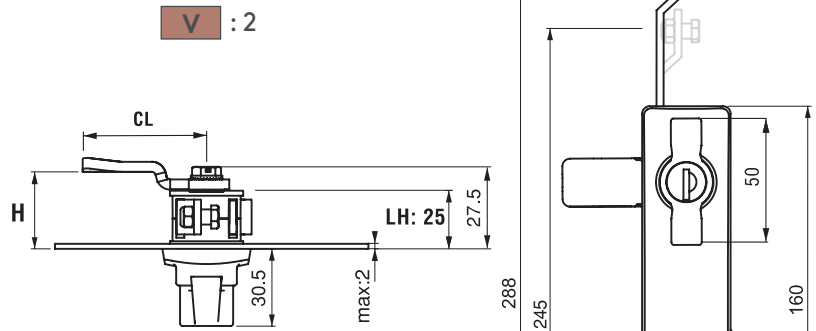


LH

RH



RoHS



Clips

- Clip fixing for easy assembly
- Wing knob, T handle and L handle available with three point locking
- Optional blind version
- For doors with standard swinghandle cut out

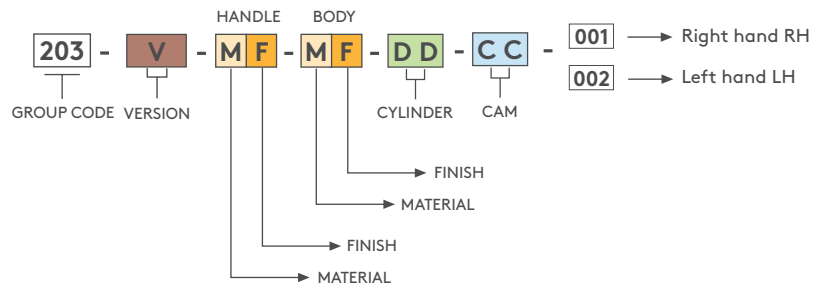
APPLICATIONS

Electric panels, machinery covers

MATERIAL

BODY: PA6 GFR 30
 HANDLE: Zamak or PA6 GFR 30
 MECHANISM: Zamak DIN-EN 1774-ZnAl4Cu1
 CAM: Steel
 SEAL: Polyurethane

PRODUCT CODE

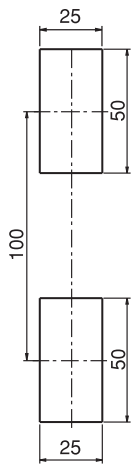
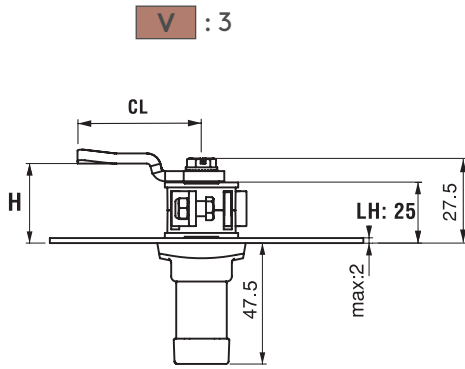


MATERIAL	M	FINISH	F
Zamak	1	Chrome	1
		Black coated	2
Plastic	2	No finish	0

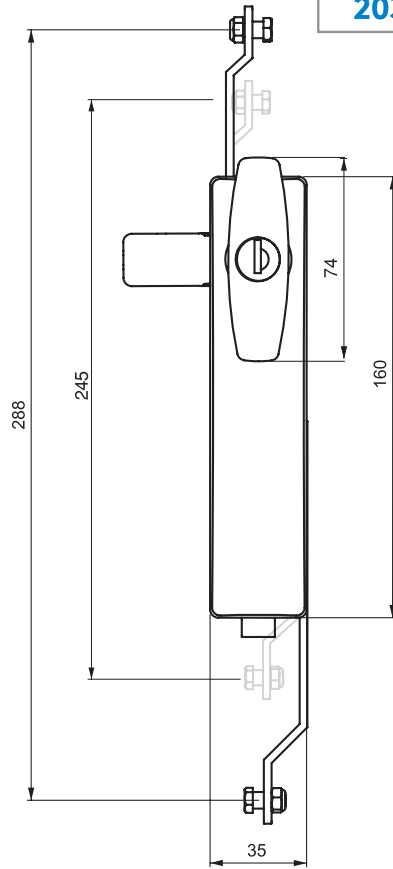
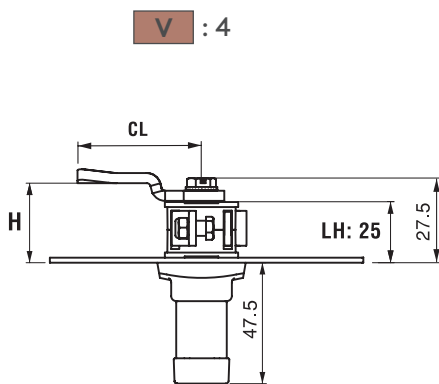
No cylinder '00'



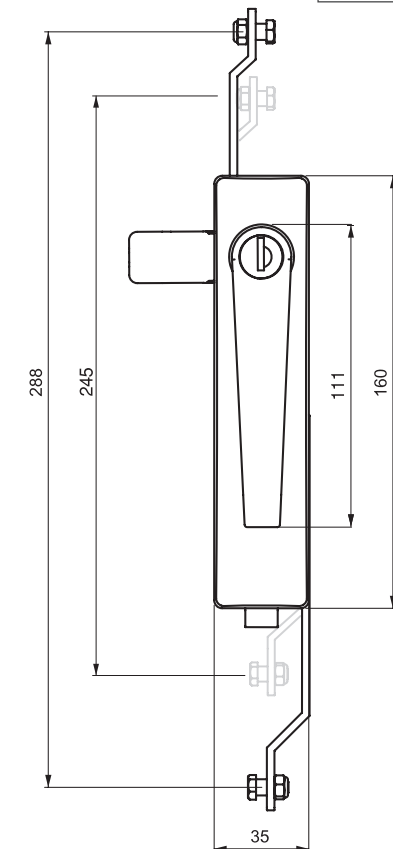
CYLINDER	SPECIFICATIONS	DD
	No cylinder	00
	Keyed alike	01
	Keyed differ	02
	Euro key (5333)	05
	CH751 (Stainless steel dust cap)	07



Cut Out



THREE-POINT LOCK – T HANDLE



THREE POINT LOCK – L HANDLE



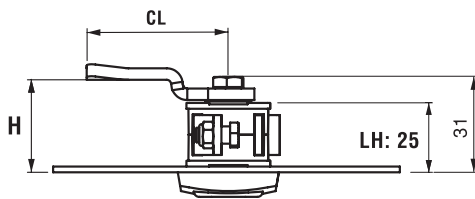
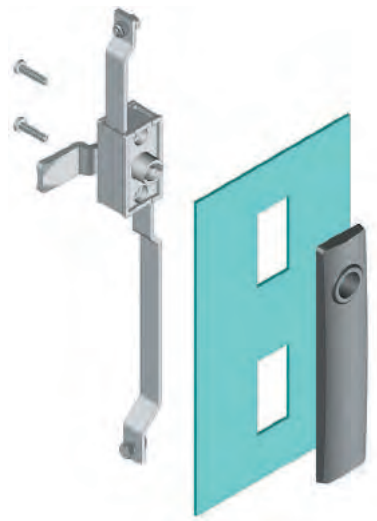
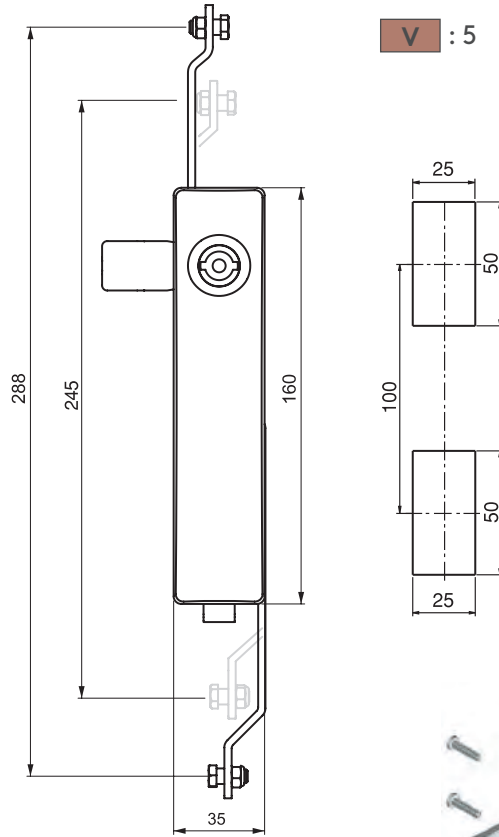
ROD-LATCH SYSTEM

THREE-POINT LOCK

203



- IP 54
-
- LH
- RH
-
- RoHS



- Clip fixing for easy assembly
- Integral gear-box for three-point locking

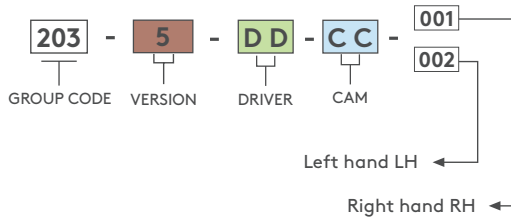
APPLICATIONS

Electric panels, machinery covers

MATERIAL

BODY: PA6 GFR 30
 MECHANISM: Zamak DIN-EN 1774-ZnAl4Cu1
 CAM: Steel
 SEAL: Polyurethane

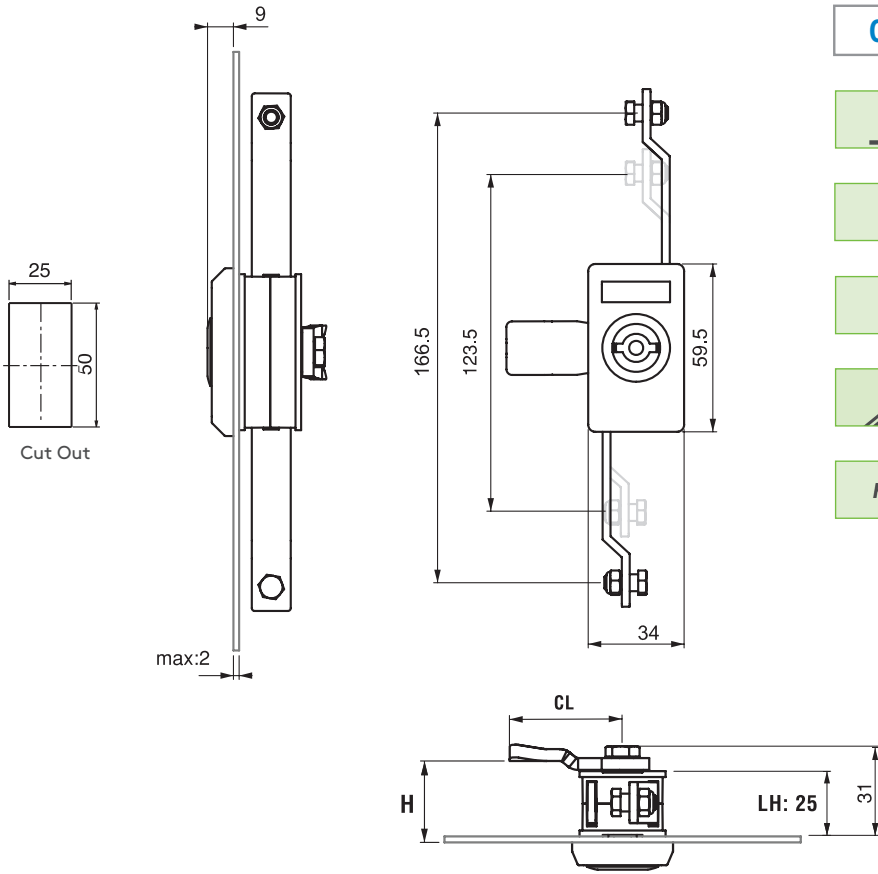
PRODUCT CODE



DRIVERS

5 mm Double bit	8 mm Square	9 mm Triangular
15	28	39

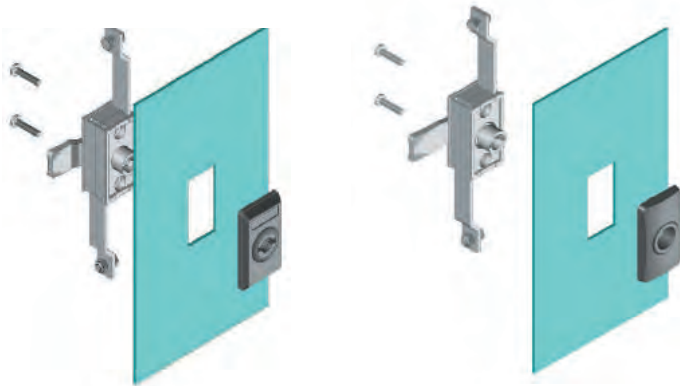
- For cams please check pages: 146 - 147
- For rods please check pages: 150- 161
- For keys please check pages: 162 - 163



003

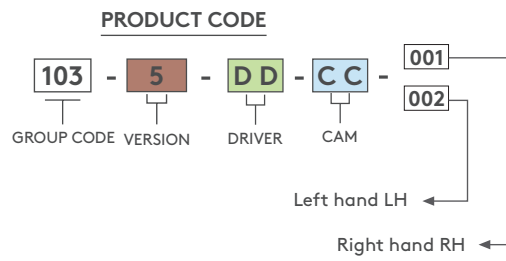
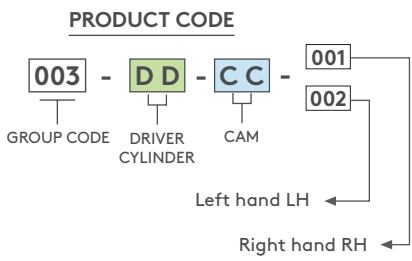
THREE-POINT LOCK

-
- LH
- RH
-
- RoHS



103

THREE-POINT LOCK



DRIVERS		
5 mm Double bit	8 mm Square	9 mm Triangular
15	28	39

For cams please check pages: 146 - 147

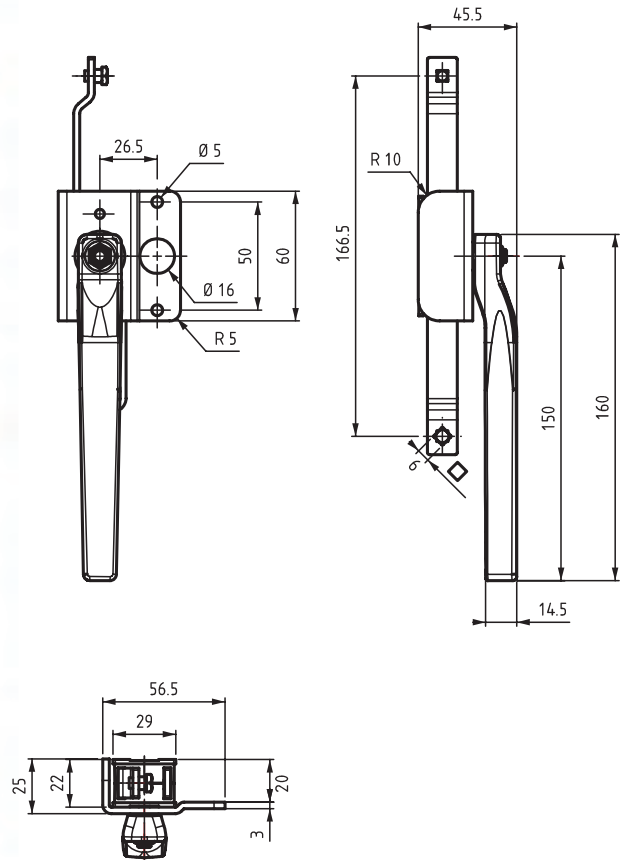
For rods please check pages: 150- 161

For keys please check pages: 162 - 163

▶ ROD LATCH SYSTEM

INTERNAL LOCKING SYSTEM

303

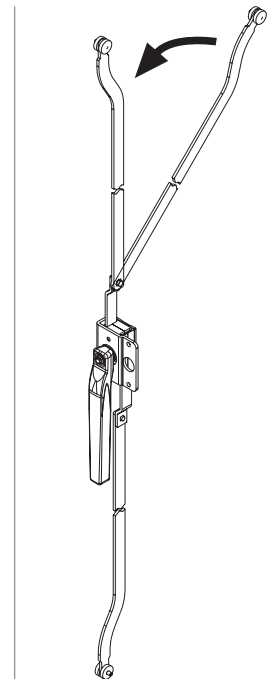
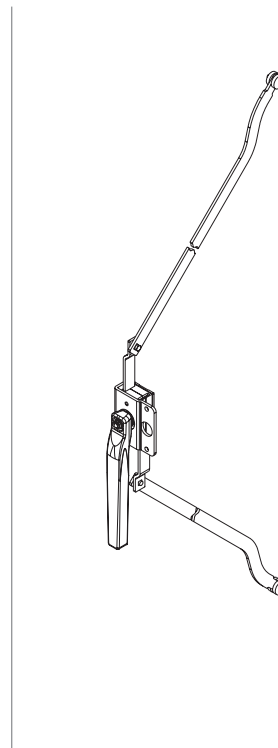
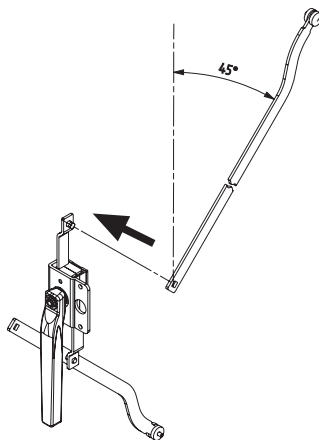


- For double-door cabinets to lock single door from inside

APPLICATIONS
Electric panels

MATERIAL

HANDLE: Zamak DIN-EN
1774-ZnAl4Cu1
MECHANISM: Zamak DIN-EN
1774-ZnAl4Cu1



For cams please check pages: 146 - 147
For rods please check pages: 150- 161



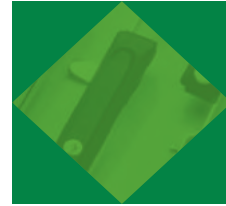


LOCKS








HEAVY-DUTY LOCKS

GROUP CODE	PRODUCT NAME
016	PUSH-TO-CLOSE
116	PUSH-TO-CLOSE
216	PUSH-TO-CLOSE
316	PUSH-TO-CLOSE
114	MINI T HANDLE CABINET LOCK
014	T HANDLE HEAVY DUTY LOCK
015	T HANDLE HEAVY DUTY LOCK
115	T HANDLE HEAVY DUTY LOCK
215	T HANDLE HEAVY DUTY LOCK
315	T HANDLE HEAVY DUTY LOCK
118	T HANDLE HEAVY DUTY LOCK
018	T HANDLE HEAVY DUTY LOCK
218	T HANDLE HEAVY DUTY LOCK



ESSENTRA

PAGE	
82 - 84, 86	
85	
87	
88	
89 - 91	
92 - 97	
98 - 101	
102	
103	
104	
105	
106	
107	

HEAVY-DUTY LOCKS

PUSH-TO-CLOSE LOCK

016

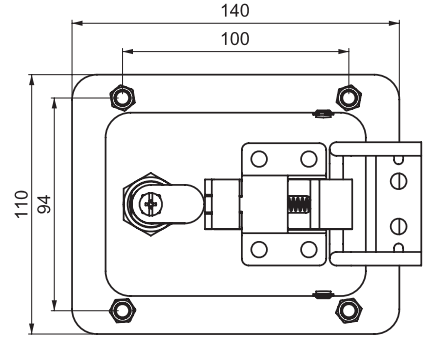


IP 54

LH/RH

RoHS

V : 1



- Stainless steel version: page 432
- Slam-shut operation
- Brass cam
- Striking plate required
- Can open from inside by moving cam

APPLICATIONS

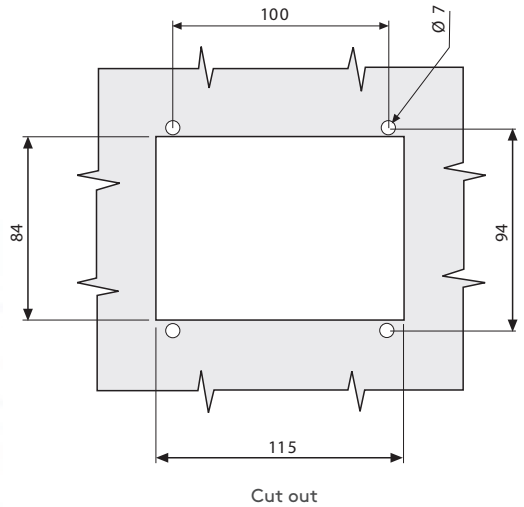
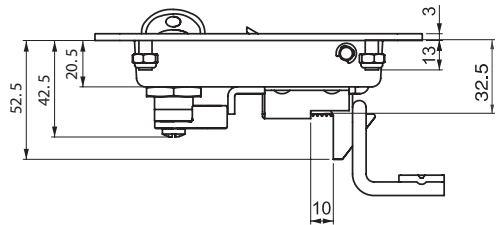
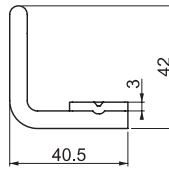
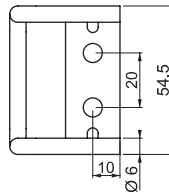
Generators, compressors, electric panels, machinery covers

MATERIAL

BODY: Steel
HANDLE: Steel
CAM: Brass
SCREW: Stainless steel
SEAL: Polyurethane

FINISH

Black coated



CAM STRIKING PLATE

016 A71



- Striking plate
- Custom sizes available

MATERIAL

Steel

FINISH

Zinc plated

PRODUCT CODE

016 - 6 - 2 - DD - V
GROUP CODE MATERIAL FINISH CYLINDER VERSION

SPECIFICATIONS		DD
Stainless steel dust cap (Keyed alike)		03
Stainless steel dust cap (Keyed differ)		32

MATERIAL	M	FINISH	F
Steel	6	Black coated	2



016

PUSH-TO-CLOSE LOCK



- Two types of die-cast zinc cams
- No locking device needed
- Can open from inside by moving cam

APPLICATIONS

Generators, compressors, electric panels, machinery covers

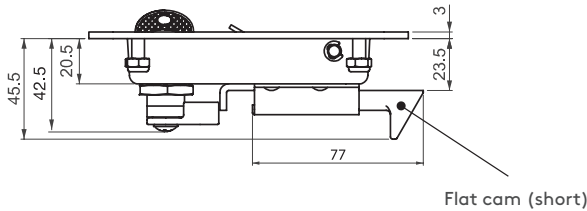
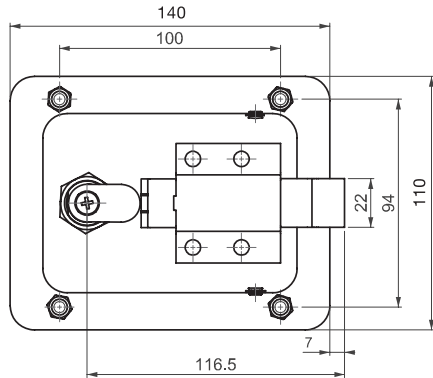
MATERIAL

BODY: Steel
 HANDLE: Steel
 CAM: Zamak DIN-EN 1774-ZnAl4Cu1
 SEAL: Polyurethane

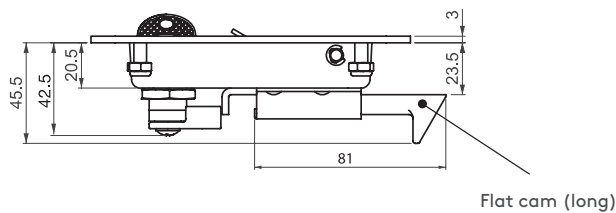
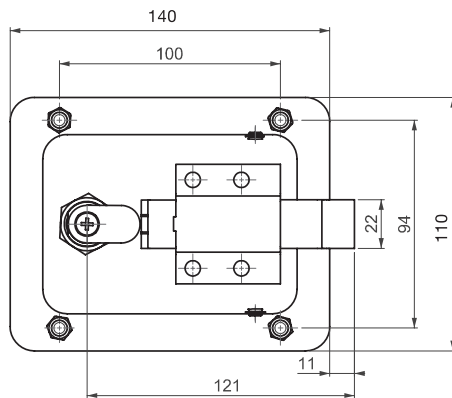
FINISH

Black coated

V : 2



V : 3



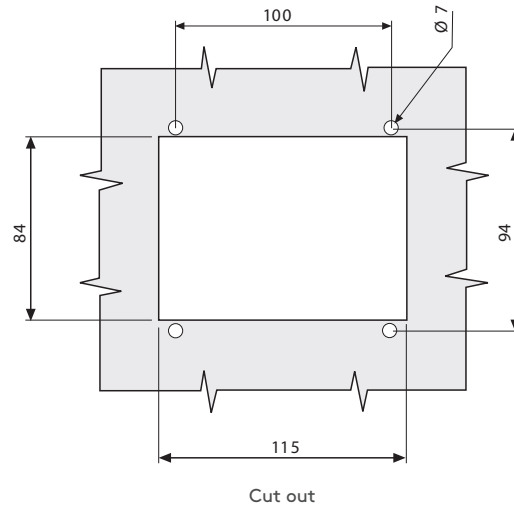
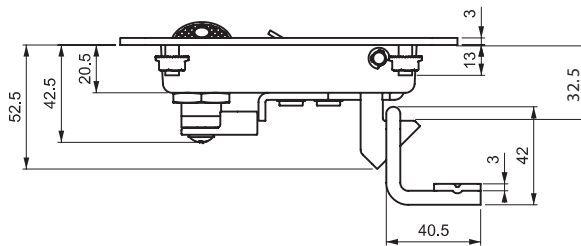
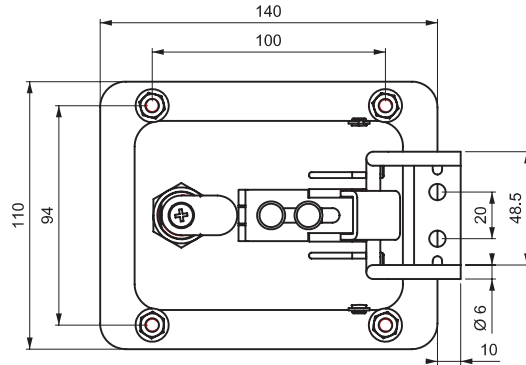
HEAVY-DUTY LOCKS

PUSH-TO-CLOSE LOCK

016



V : 4



- Slam-shut operation with steel cam
- Can open from inside by moving cam

APPLICATIONS

Generators, compressors, electric panels, machinery covers

MATERIAL

BODY: Steel
HANDLE: Steel
CAM: Steel
SCREW: Stainless steel
SEAL: Polyurethane

FINISH

Black coated

CAM STRIKING PLATE

016 A71



- Stainless steel version: page 432
- Striking plate
- Custom sizes available

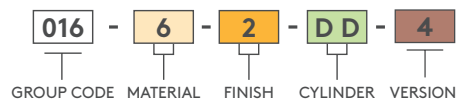
MATERIAL

Steel

FINISH

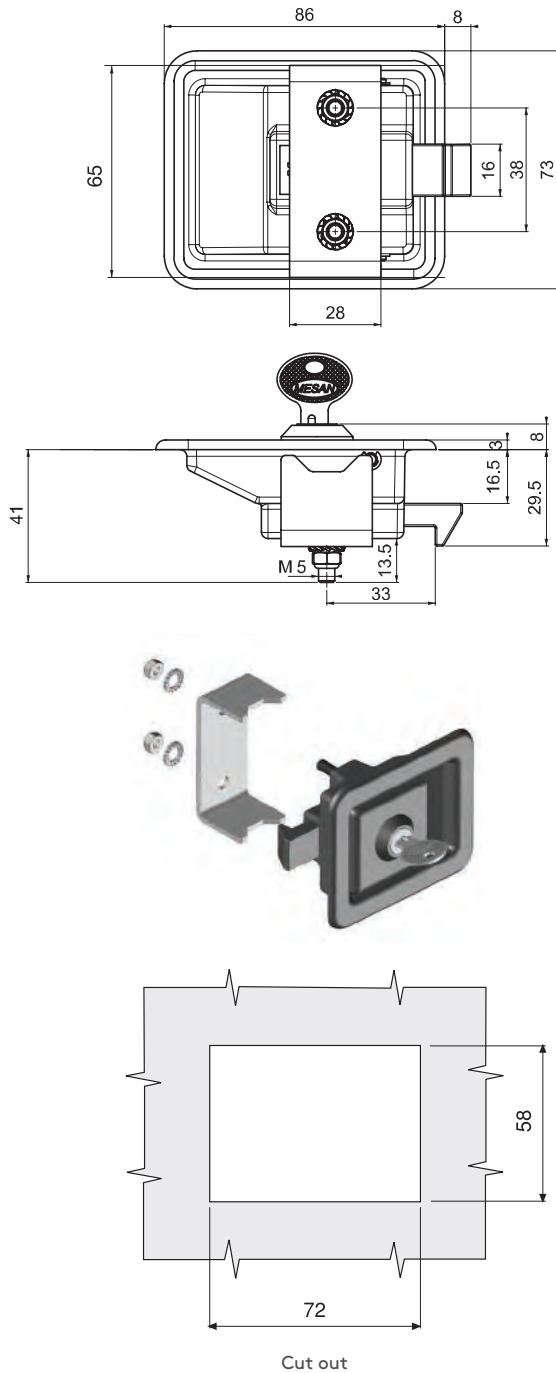
Zinc plated

PRODUCT CODE



SPECIFICATIONS		DD
Stainless steel dust cap (Keyed alike)		03
Stainless steel dust cap (Keyed differ)		32

MATERIAL		M	FINISH		F
Steel		6	Black coated		2



116

PUSH-TO-CLOSE LOCK

IP 54



LH/RH



RoHS



- Delrin cams
- No locking device needed
- Can open from inside by moving cam

APPLICATIONS

Generators, compressors, electric panels, machinery covers

MATERIAL

BODY: Polyamid DIN-EN ISO 1043-1 PA6 GFR 30
 HANDLE: Zamak DIN-EN 1774-ZnAl4Cu1
 CAM: Delrin
 MOUNTING BRACKET: Steel



No cylinder "00"

PRODUCT CODE

116 - **DD**

GROUP CODE CYLINDER

SPECIFICATIONS	DD
No cylinder	00
Keyed alike	01
Keyed differ	02

HEAVY-DUTY LOCKS

PUSH-TO-CLOSE LOCK

016



IP 54



LH/RH



RoHS

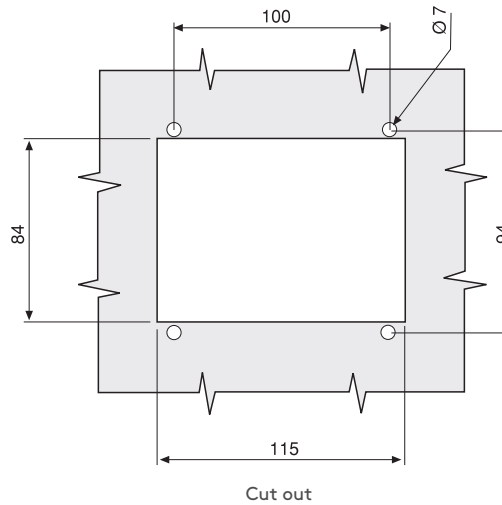
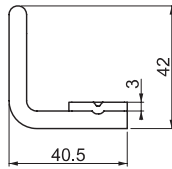
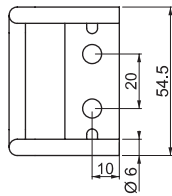
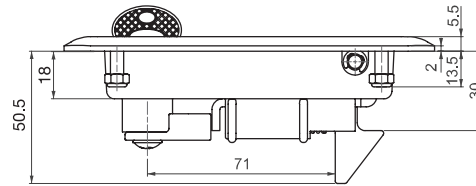
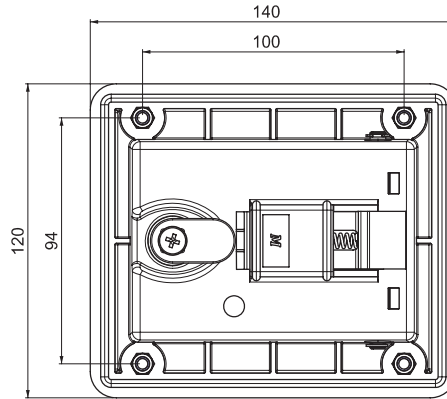
- Slam-shut operation
- Brass cam
- Striking plate required
- Can open from inside by moving cam

APPLICATIONS

Generators, compressors, electric panels, machinery covers

MATERIAL

BODY: Polyamid DIN-EN ISO 1043-1 PA6 GFR 30
CAM: Brass or Delrin



CAM STRIKING PLATE

016 A71



- Striking plate
- Custom sizes available

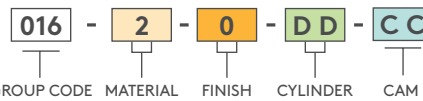
MATERIAL

Steel

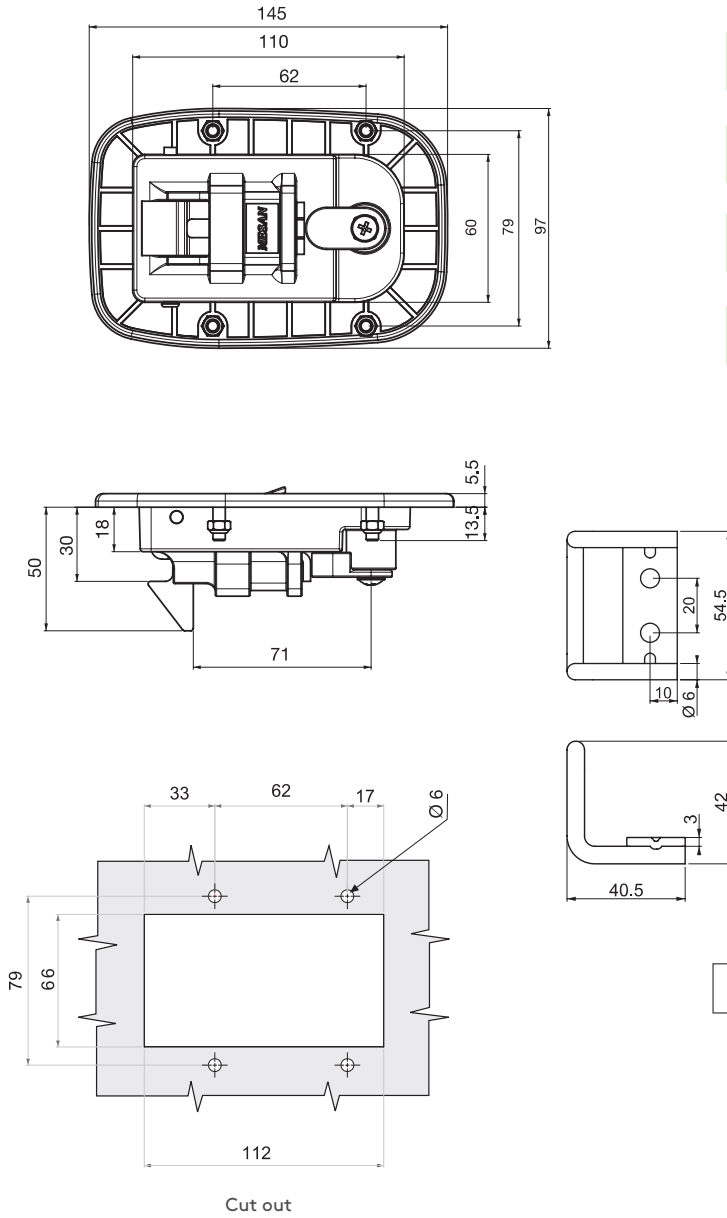
FINISH

Zinc plated

PRODUCT CODE



SPECIFICATIONS	DD	CAM	CC
Stainless steel dust cap (Keyed alike)	03	Brass	01
Stainless steel dust cap (Keyed differ)	32	Plastic	02



216

PUSH-TO-CLOSE LOCK

IP 54

LH/RH

RoHS



- Slam-shut operation
- Brass cam
- Striking plate required
- Can open from inside by moving cam

APPLICATIONS

Generators, compressors, electric panels, machinery covers

MATERIAL

BODY: Polyamid DIN-EN ISO 1043-1 PA6 GFR 30
CAM: Brass or Delrin

016 A71

CAM STRIKING PLATE



- Striking plate
- Custom sizes available

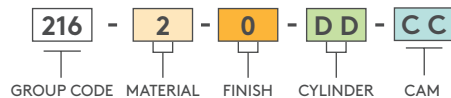
MATERIAL

Steel

FINISH

Zinc plated

PRODUCT CODE



SPECIFICATIONS	DD	CAM	CC
Stainless steel dust cap (Keyed alike)	03	Brass	01
Stainless steel dust cap (Keyed differ)	32	Plastic	02

HEAVY-DUTY LOCKS

PUSH-TO-CLOSE LOCK

316



IP 54



LH/RH



RoHS

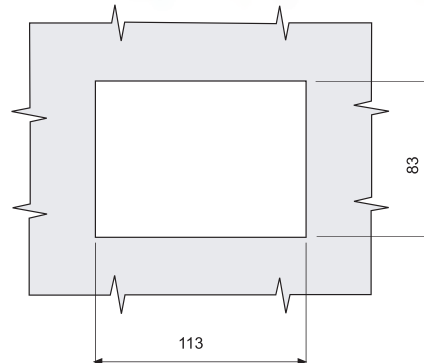
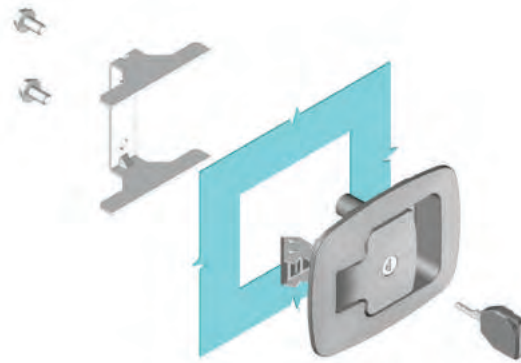
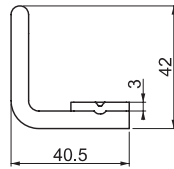
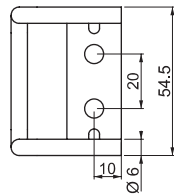
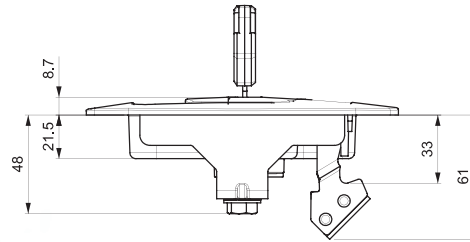
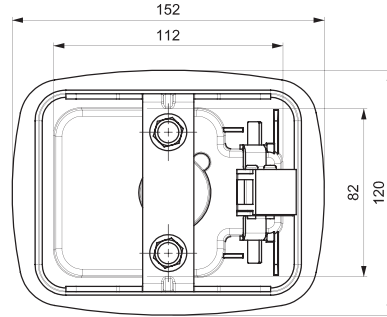
- Slam shut operation. Steel cam.
- Striking plate is needed
- Lock can be opened from inside by moving cam.

APPLICATIONS

Generators, compressors, electric panels, machinery covers

MATERIAL

BODY: Polyamid DIN-EN ISO 1043-1 PA6 GFR 30
CAM: Steel



Cut out

CAM STRIKING PLATE

016 A71



- Striking plate
- Custom sizes available

MATERIAL

Steel

FINISH

Zinc plated

! Note: The listing of this/these product(s) in the catalogue does not constitute an offer to sell any of those products in the UK and USA

PRODUCT CODE

316 - **2** - **0** - **DD** - **01**
GROUP CODE MATERIAL FINISH CYLINDER CAM

SPECIFICATIONS

Stainless steel dust cap (Keyed alike)	DD
	03



114

MINI 'T' HANDLE CABINET LOCK



IP 65



LH/RH

RoHS



- Single-point locking
- 10 - 45 mm grip range
- Easy fixing with roller cam
- Provides sealing with compression property
- Option to use with or without padlock
- Use rivets or bolts for fixing
- Can be supplied without cylinder

APPLICATIONS

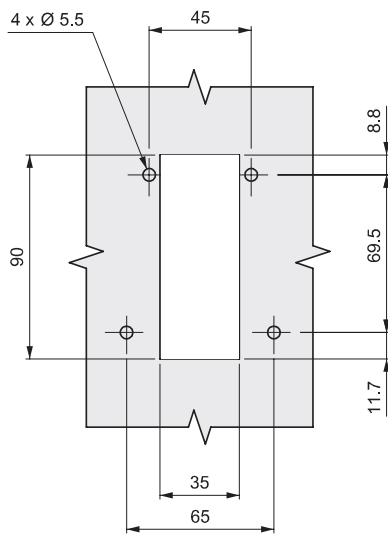
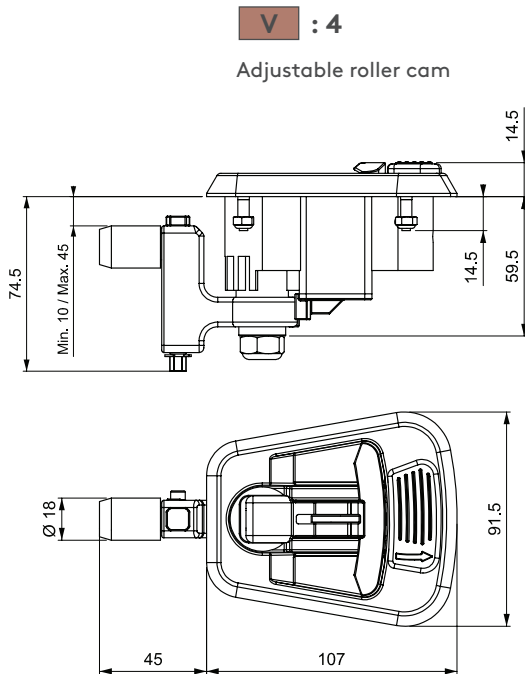
Generators, construction equipment, electric panels, panel vans, machinery covers

MATERIAL

BODY: Polyamid DIN-EN ISO 1043-1PA6 GFR 30
HANDLE: Zamak DIN-EN 1774-ZnAl4Cu1

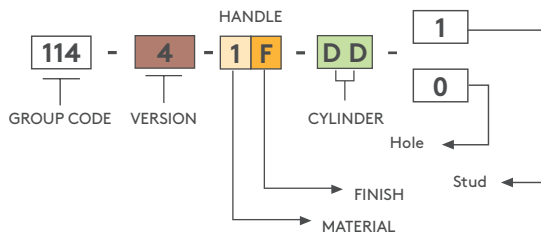
FINISH

HANDLE: Chrome or black coated



Cut Out

PRODUCT CODE



SPECIFICATIONS	DD
Stainless steel dust cap (Keyed alike)	03
Stainless steel dust cap (Keyed differ)	32
CH751 (Stainless steel dust cap)	07

FINISH	F
Chrome	1
Black coated	2

Note: The listing of this/these product(s) in the catalogue does not constitute an offer to sell any of those products in the UK and USA

HEAVY-DUTY LOCKS

MINI 'T' HANDLE CABINET LOCK

114

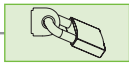


IP 65



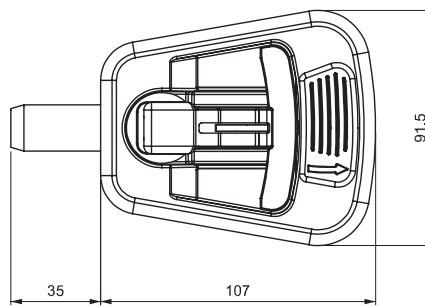
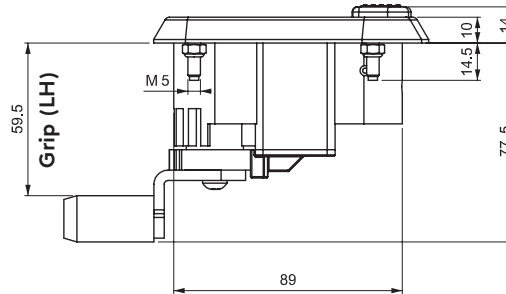
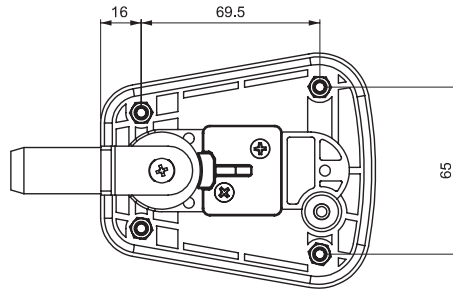
LH/RH

RoHS



- 1- Double security
- 2- Cylinder locking system
- 3- Sliding dust cap

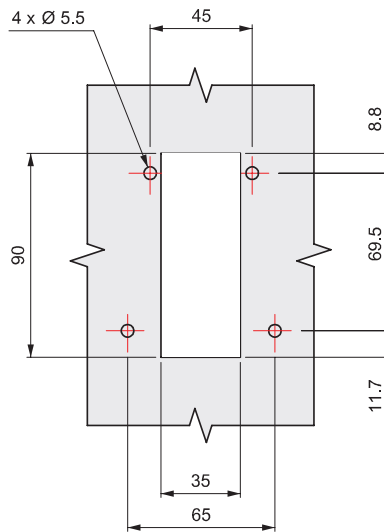
Note: The listing of this/these product(s) in the catalogue does not constitute an offer to sell any of those products in the UK and USA



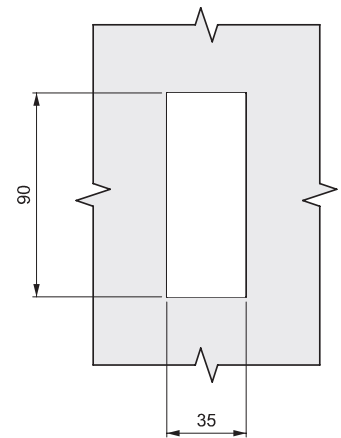
V : 2
Stud version



V : 3
Hole version



Cut Out
V2 - V3



Cut Out
V1



114

MINI 'T' HANDLE CABINET LOCK

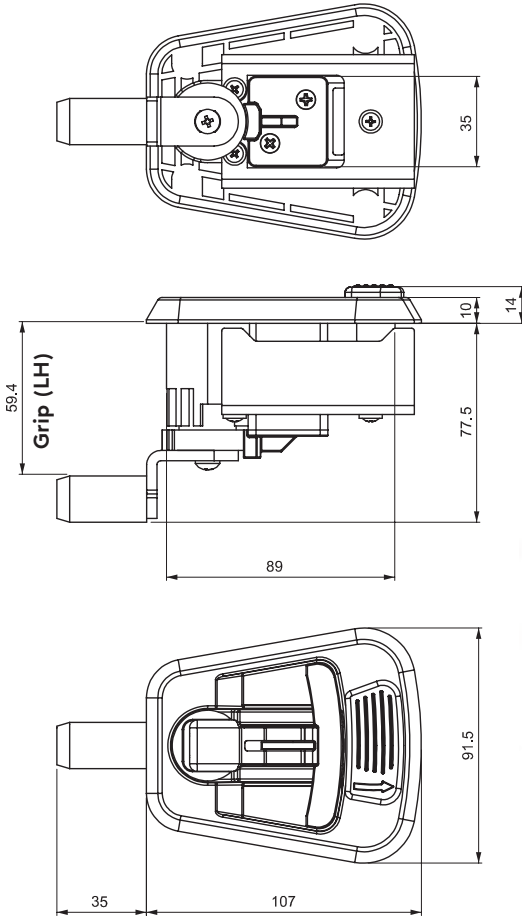
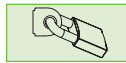


IP 65

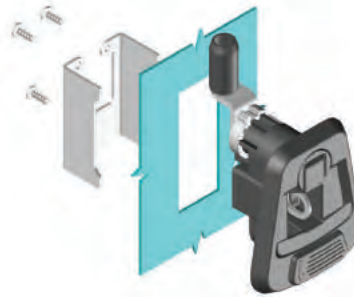


LH/RH

RoHS



V : 1
Bracket version



- Single point locking
- Easy locking by the roller cam
- 4 mm compression
- Optionally used with or without padlock.
- Fixing is possible by rivets, bolts or bracket
- Can be supplied without cylinder.
- Fixed grip
- Please contact us for different grip (LH)

APPLICATIONS

Generators, construction equipment, electric panels, panel vans, machinery covers

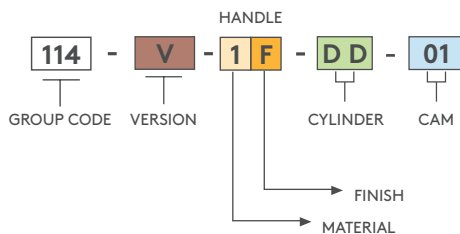
MATERIAL

BODY: Polyamid DIN-EN ISO 1043-1 PA6 GFR 30
HANDLE: Zamak DIN-EN 1774-ZnAl4Cu1
CYLINDER: Zamak DIN-EN 1774-ZnAl4Cu1

FINISH

HANDLE: Chrome or black coated

PRODUCT CODE



SPECIFICATIONS	DD
Stainless steel dust cap (Keyed alike)	03
Stainless steel dust cap (Keyed differ)	32
CH751 (Stainless steel dust cap)	07

FINISH	F
Chrome	1
Black coated	2

Note: The listing of this/these product(s) in the catalogue does not constitute an offer to sell any of those products in the UK and USA

014

VERSIONS

V : 1
Adjustable roller cam

Roller cam

Grip adjustment system

Grip adjusted by rotating the main screw between 10 - 60 mm

Set screw

To adjust the grip, first loosen the set screw. Then screw again for fixing

V : 2
Fixed cam

Standard Grip (H) is 60 mm; for different grip ranges contact Essentra Components

V : 3 Espagnolette cam **V : 4** Espagnolette cam and adjustable roller cam **V : 5** Espagnolette cam and fixed cam

two-point locking three-point locking three-point locking

GENERAL FEATURES



Ergonomic T handle

Black coated or chrome plated

Cylinder locking system

Stainless steel dust cap (Keyed alike or Keyed differ)

Padlockable

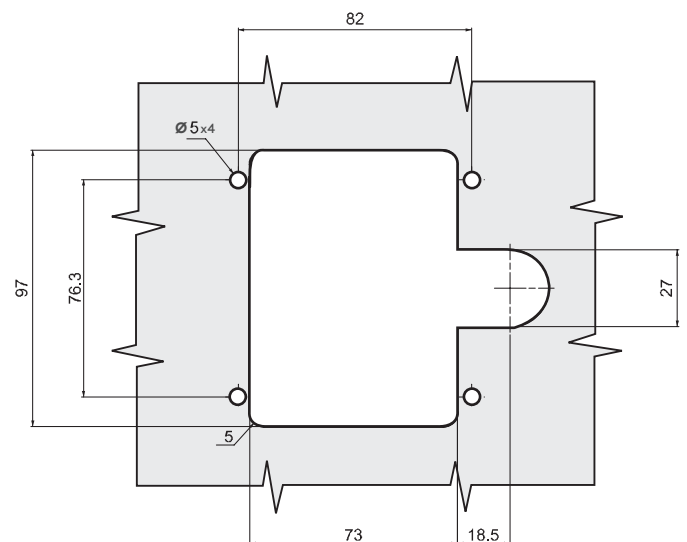
Max. hasp dia 9 mm

Stud or hole option

M5 stud or rivet



Cut out





014

T HANDLE HEAVY-DUTY LOCK

IP 65



LH/RH

RoHS



- Single-point locking
- 10 - 60 mm grip range
- Easy fixing with roller cam
- Provides sealing with compression property
- Option to use with or without padlock
- Use rivets or bolts for fixing
- Can be supplied without cylinder

APPLICATIONS

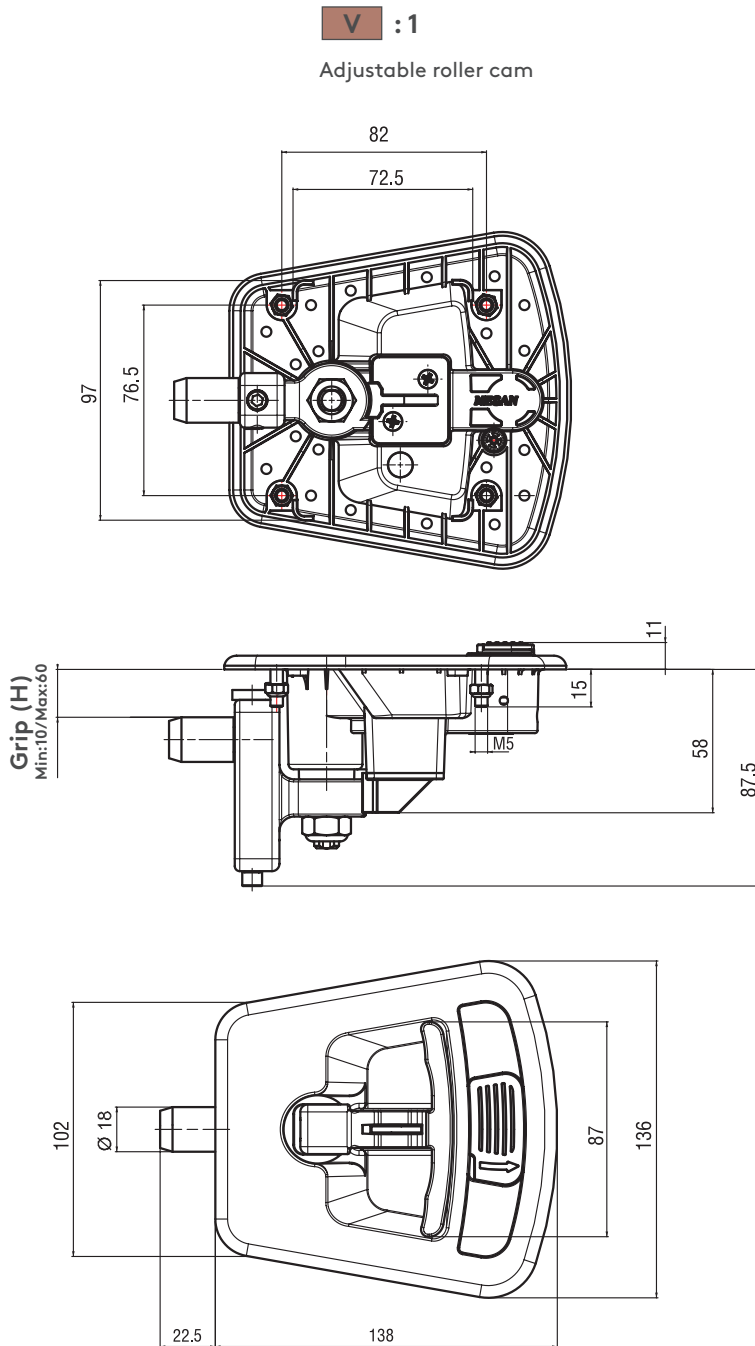
Generators, construction equipment, electric panels, panel vans, machinery covers

MATERIAL

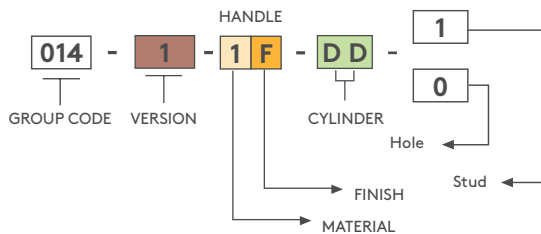
BODY: Polyamid DIN-EN ISO 1043-1PA6 GFR 30
HANDLE: Zamak DIN-EN 1774-ZnAl4Cu1

FINISH

HANDLE: Chrome or black coated



PRODUCT CODE



SPECIFICATIONS	DD
Stainless steel dust cap (Keyed alike)	03
Stainless steel dust cap (Keyed differ)	32
CH751 (Stainless steel dust cap)	07

FINISH	F
Chrome	1
Black coated	2

Note: The listing of this/these product(s) in the catalogue does not constitute an offer to sell any of those products in the UK and USA

HEAVY-DUTY LOCKS

T HANDLE HEAVY-DUTY LOCK

014



IP 65



LH/RH

RoHS



- Fixed grip
- Single-point locking
- Easy fixing with roller cam
- Provides sealing with compression property
- Option to use with or without padlock
- Use rivets or bolts for fixing
- Can be supplied without cylinder

APPLICATIONS

Generators, construction equipment, electric panels, panel vans, machinery covers

MATERIAL

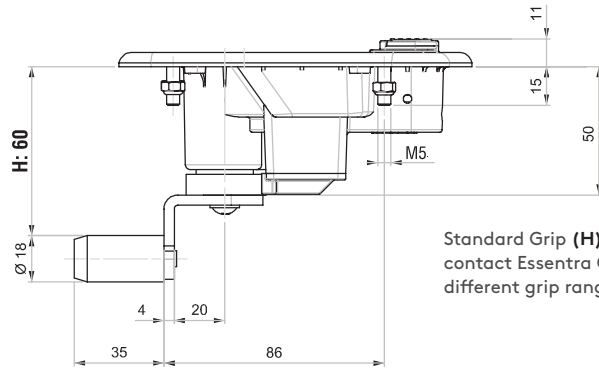
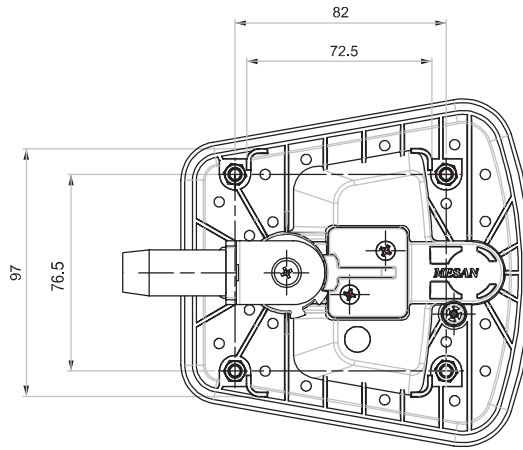
BODY: Polyamid DIN-EN ISO 1043-1 PA6 GFR 30
HANDLE: Zamak DIN-EN 1774-ZnAl4Cu1

FINISH

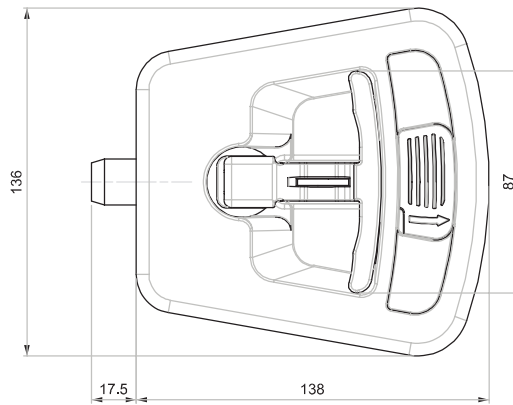
HANDLE: Chrome or black coated

V : 2

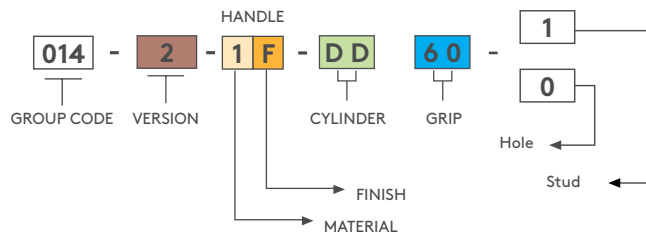
Fixed cam



Standard Grip (H) is 60 mm; contact Essentra Components for different grip ranges



PRODUCT CODE



Note: The listing of this/these product(s) in the catalogue does not constitute an offer to sell any of those products in the UK and USA

SPECIFICATIONS		DD	FINISH		F
Stainless steel dust cap (Keyed alike)		03	Chrome	1	
Stainless steel dust cap (Keyed differ)		32	Black coated	2	
CH751 (Stainless steel dust cap)		07			



014

T HANDLE HEAVY-DUTY LOCK

IP 65



LH/RH

RoHS



- Two-point locking
- Option to use with or without padlock
- Use rivets or bolts for fixing
- Can be supplied without cylinder

APPLICATIONS

Generators, construction equipment, electric panels, panel vans, machinery covers

MATERIAL

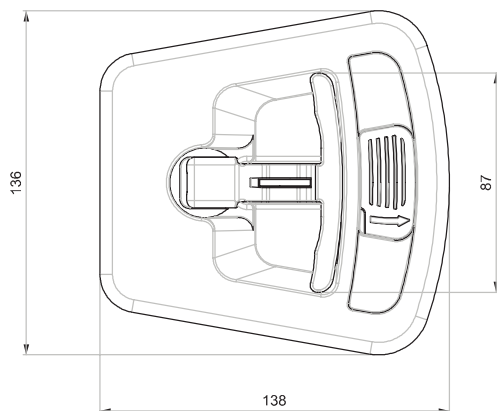
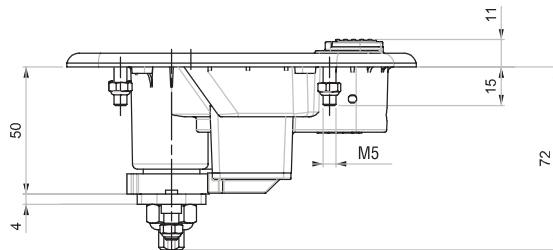
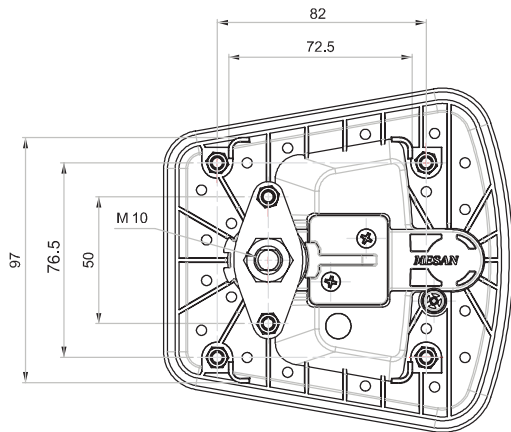
BODY: Polyamid DIN-EN ISO 1043-1PA6 GFR 30
HANDLE: Zamak DIN-EN 1774-ZnAl4Cu1

FINISH

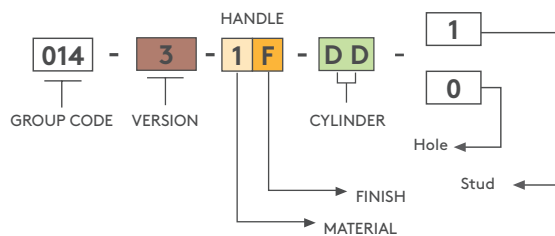
HANDLE: Chrome or black coated

V : 3

Espagnolette cam



PRODUCT CODE



SPECIFICATIONS	DD
Stainless steel dust cap (Keyed alike)	03
Stainless steel dust cap (Keyed differ)	32
CH751 (Stainless steel dust cap)	07

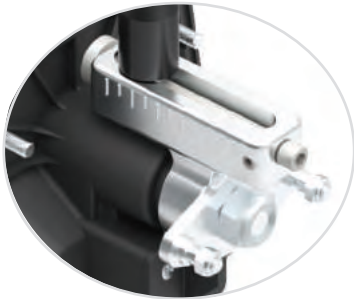
FINISH	F
Chrome	1
Black coated	2

Note: The listing of this/these product(s) in the catalogue does not constitute an offer to sell any of those products in the UK and USA

HEAVY-DUTY LOCKS

T HANDLE HEAVY-DUTY LOCK

014



IP 65



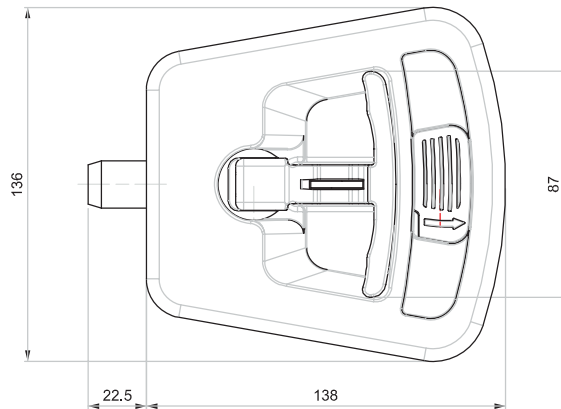
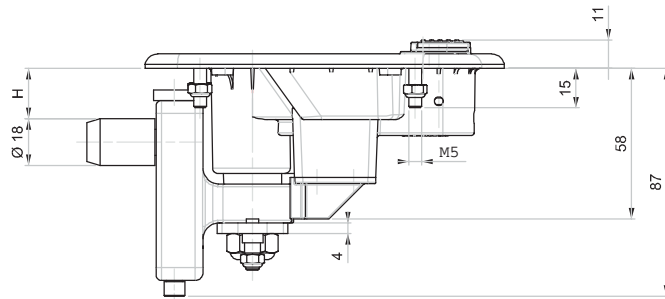
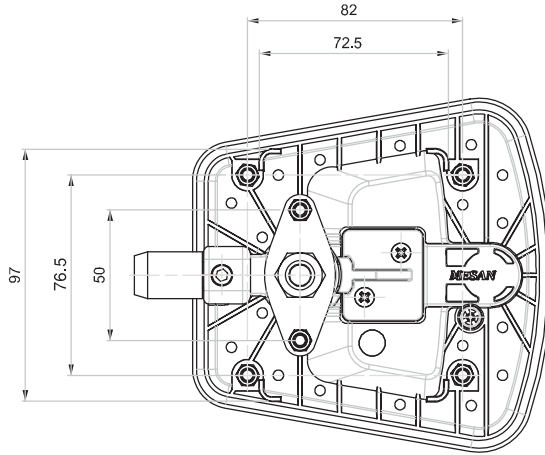
LH/RH

RoHS



V : 4

Espagnolette cam and adjustable roller cam



- Three-point locking
- 10 - 60 mm grip range
- Easy fixing with roller cam
- Provides sealing with compression property
- Option to use with or without padlock
- Use rivets or bolts for fixing
- Can be supplied without cylinder

APPLICATIONS

Generators, construction equipment, electric panels, panel vans, machinery covers

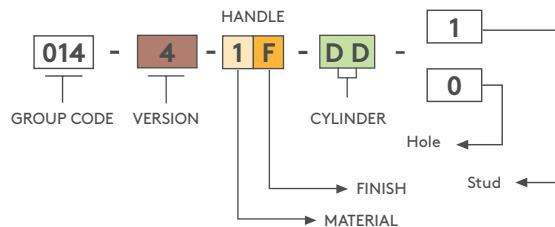
MATERIAL

BODY: Polyamid DIN-EN ISO 1043-1 PA6 GFR 30
HANDLE: Zamak DIN-EN 1774-ZnAl4Cu1

FINISH

HANDLE: Chrome or black coated

PRODUCT CODE



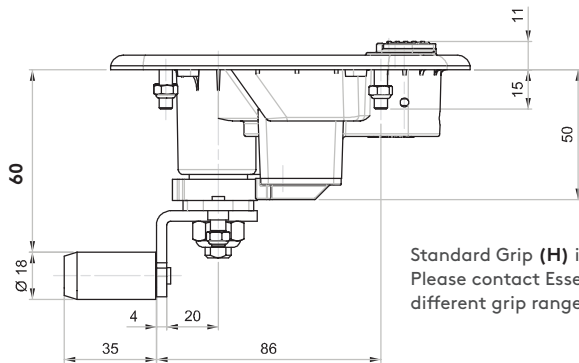
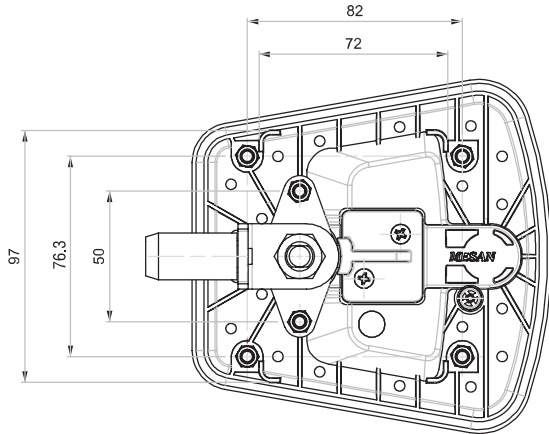
Note: The listing of this/these product(s) in the catalogue does not constitute an offer to sell any of those products in the UK and USA

SPECIFICATIONS	DD	FINISH	F
Stainless steel dust cap (Keyed alike)	03	Chrome	1
Stainless steel dust cap (Keyed differ)	32	Black coated	2
CH751 (Stainless steel dust cap)	07		

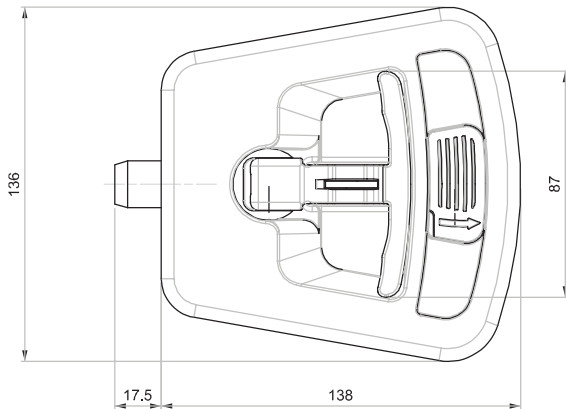


V : 5

Espagnolette cam and fixed cam



Standard Grip (H) is 60 mm
Please contact Essentra Components for different grip ranges



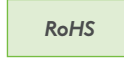
014

T HANDLE HEAVY-DUTY LOCK

IP 65



LH/RH



RoHS



- Fixed Grip
- Three-point locking
- Easy fixing with roller cam
- Provides sealing with compression property
- Option to use with or without padlock
- Use rivets or bolts for fixing
- Can be supplied without cylinder

APPLICATIONS

Generators, construction equipment, electric panels, panel vans, machinery covers

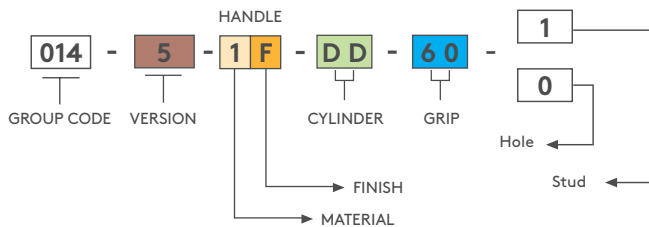
MATERIAL

BODY: Polyamid DIN-EN ISO 1043-1 PA6 GFR 30
HANDLE: Zamak DIN-EN 1774-ZnAl4Cu1

FINISH

HANDLE: Chrome or black coated

PRODUCT CODE



SPECIFICATIONS	DD
Stainless steel dust cap Keyed alike	03
Stainless steel dust cap Keyed differ	32
CH751 (Stainless steel dust cap)	07

FINISH	F
Chrome	1
Black coated	2

Note: The listing of this/these product(s) in the catalogue does not constitute an offer to sell any of those products in the UK and USA

HEAVY-DUTY LOCKS

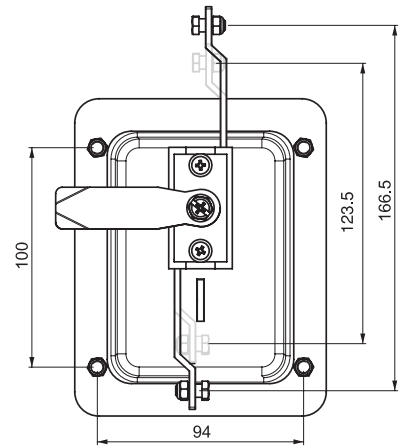
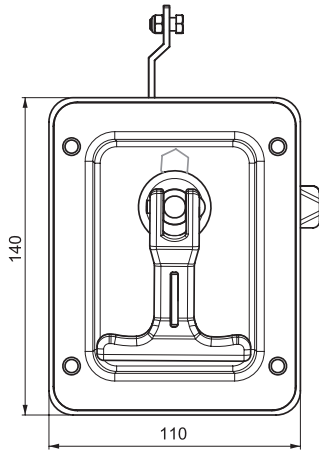
T HANDLE HEAVY-DUTY LOCK

015



- IP 65
- LH/RH
- RoHS

V : 1
(VERTICAL)

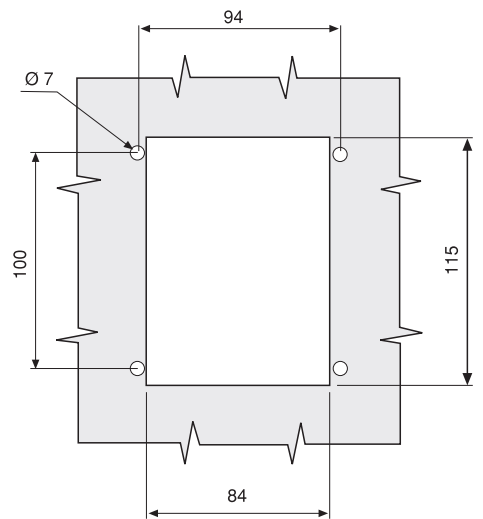
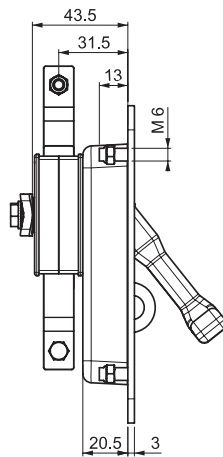


- Secured by padlock
- Maximum padlock shackle diameter 9 mm
- Horizontal and vertical versions available
- Provides three-point locking

APPLICATIONS
Electrical substations

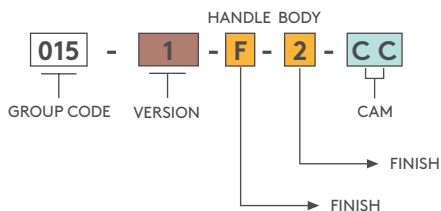
MATERIAL
 BODY: Steel
 HANDLE: Zamak DIN-EN 1774-ZnAl4Cu1
 CAM: Steel
 SCREW: Stainless steel
 SEAL: Polyurethane

FINISH
 BODY: Black coated
 HANDLE: Chrome or black coated

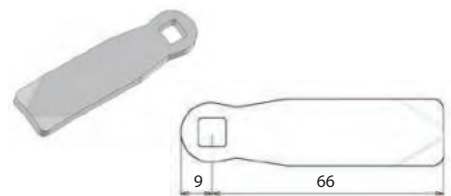


Cut out

PRODUCT CODE



FINISH	F	70	CAM
Chrome	1	00	NO CAM
Black coated	2		



For cams please check pages: 146 - 147

015

T HANDLE HEAVY DUTY LOCK

V : 2
(HORIZONTAL)



- Secured by padlock
- Maximum padlock shackle diameter 9 mm
- Horizontal and vertical versions available
- Provides three-point locking

APPLICATIONS

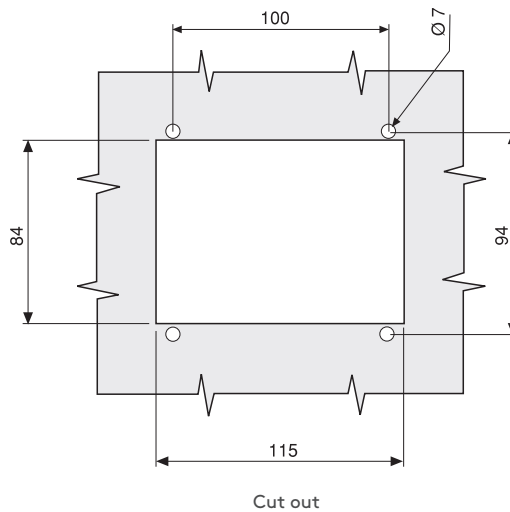
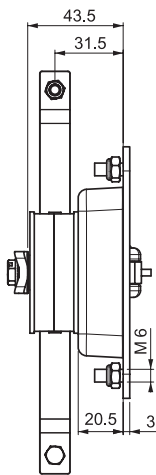
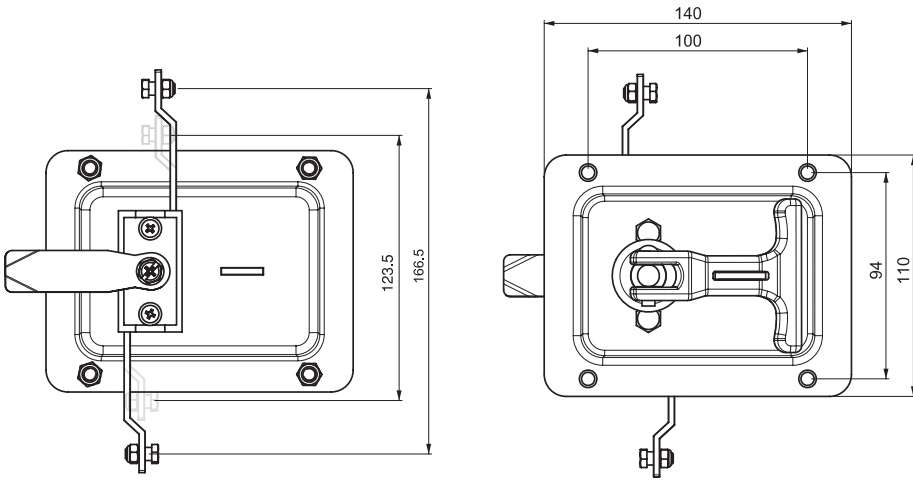
Electrical substations

MATERIAL

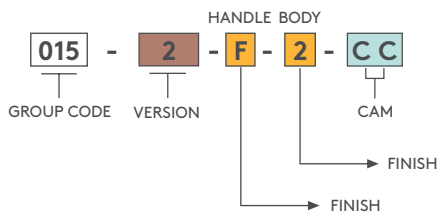
BODY: Steel
HANDLE: Zamak DIN-EN 1774-ZnAl4Cu1
CAM: Steel
SCREW: Stainless steel
SEAL: Polyurethane

FINISH

HANDLE: Chrome or black coated
BODY: Black coated

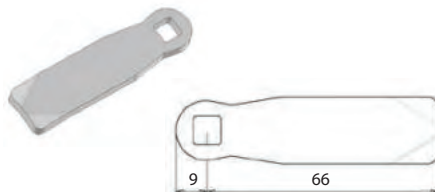


PRODUCT CODE



FINISH	F
Chrome	1
Black coated	2

70	CAM
00	NO CAM



 For cams please check pages: 146 - 147

HEAVY-DUTY LOCKS

T HANDLE HEAVY-DUTY LOCK

015



IP 65



LH/RH

RoHS



V : 3
(VERTICAL)

- Secured by padlock
- Maximum padlock shackle diameter 9 mm
- Horizontal and vertical versions available

APPLICATIONS

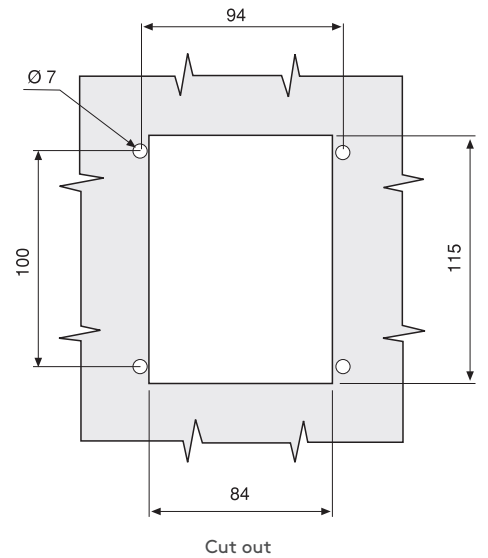
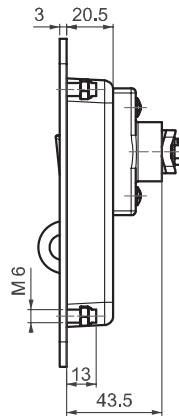
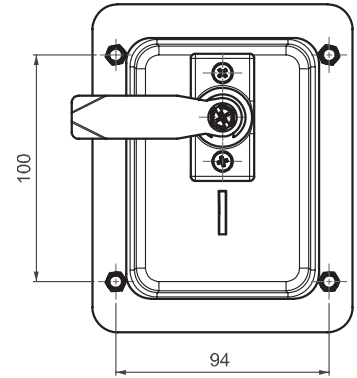
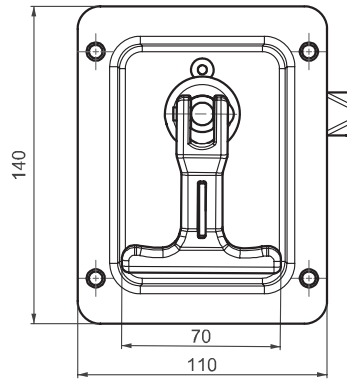
Electrical substations

MATERIAL

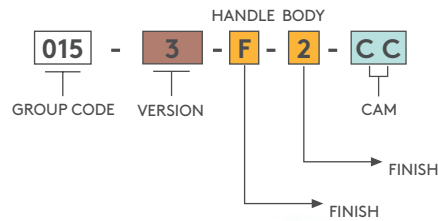
BODY: Steel
HANDLE: Zamak DIN-EN 1774-ZnAl4Cu1
CAM: Steel
SCREW: Stainless steel
SEAL: Polyurethane

FINISH

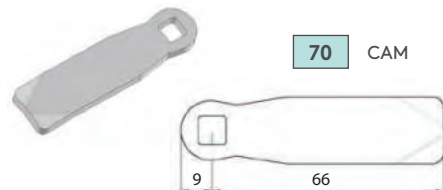
HANDLE: Chrome or black coated
BODY: Black coated



PRODUCT CODE



FINISH	F
Chrome	1
Black coated	2



For cams please check pages: 146 - 147

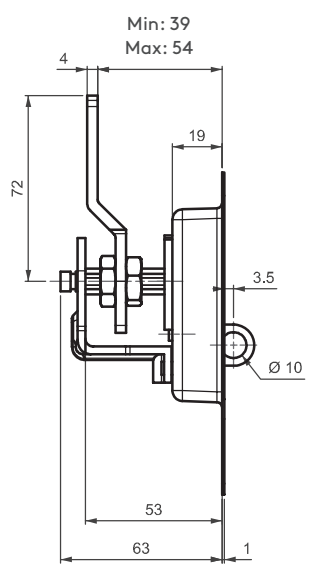
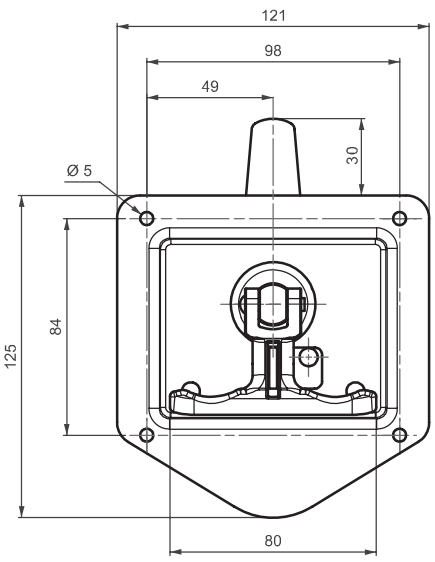
HEAVY-DUTY LOCKS

T HANDLE HEAVY-DUTY LOCK

115



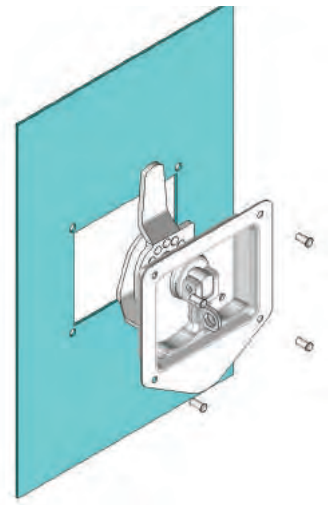
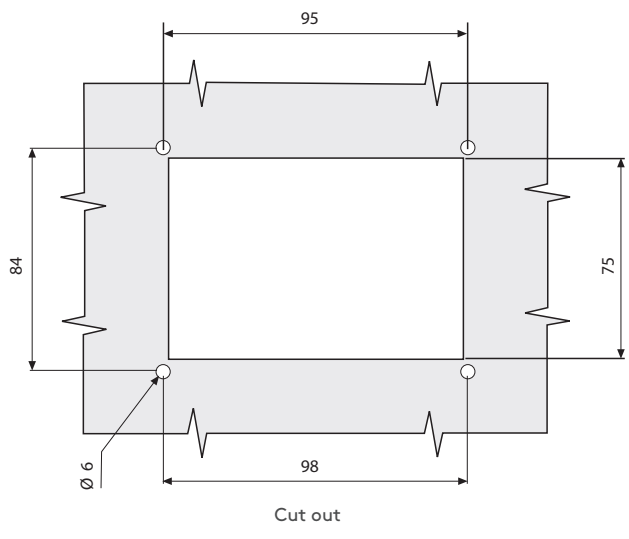
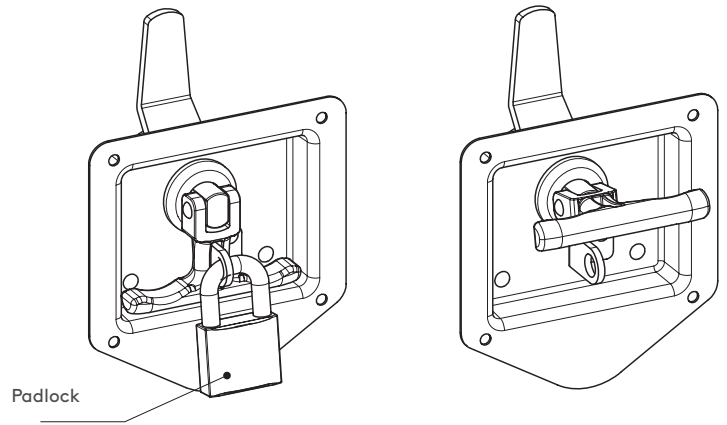
- IP 65
- LH/RH



- Suitable for special equipment cases
- Adjustable cam for wide grip range
- Maximum padlock shackle diameter 9 mm

APPLICATIONS
Generators, truck, metal cabinets

MATERIAL
 BODY: Stainless steel
 HANDLE: Zamak DIN-EN 1774-ZnAl4Cu1
 PADLOCK HASP: Stainless steel
 CAM: Steel



215

T HANDLE HEAVY-DUTY LOCK

IP 65



LH/RH



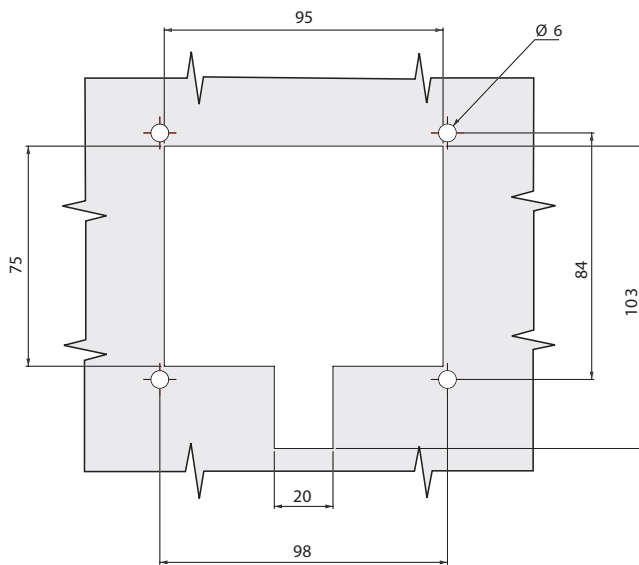
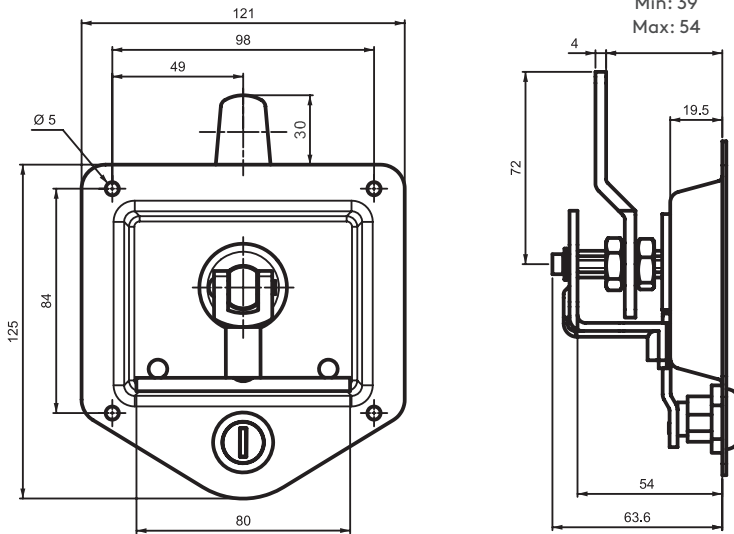
- Suitable for special equipment cases
- Adjustable cam for wide grip range

APPLICATIONS

Generators, truck, metal cabinets

MATERIAL

BODY: Stainless steel
 HANDLE: Zamak DIN-EN
 1774-ZnAl4Cu1
 CAM: Steel



Cut out

HEAVY-DUTY LOCKS

T HANDLE HEAVY-DUTY LOCK

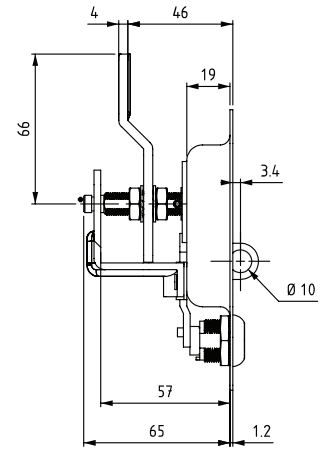
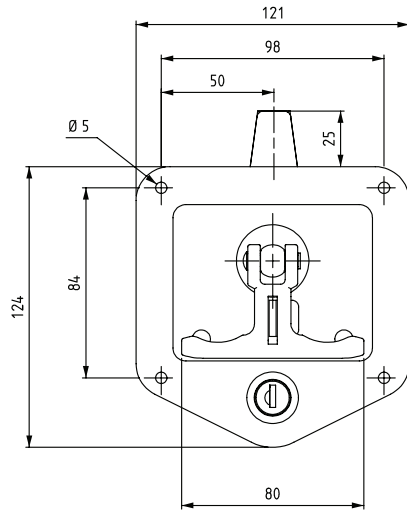
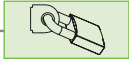
315



IP 65



LH/RH



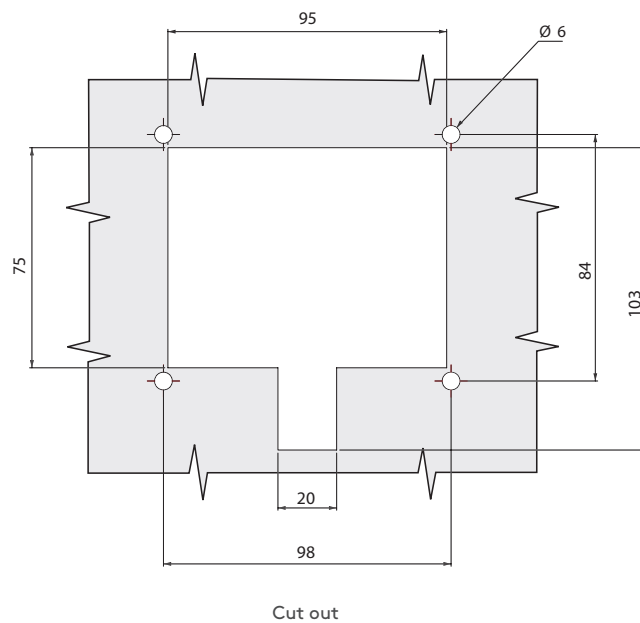
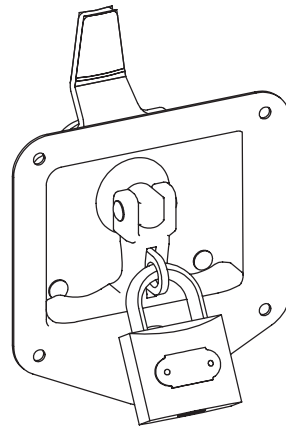
- Suitable for special equipment cases
- Adjustable cam for wide grip range
- Maximum padlock shackle diameter 9 mm

APPLICATIONS

Generators, truck, metal cabinets

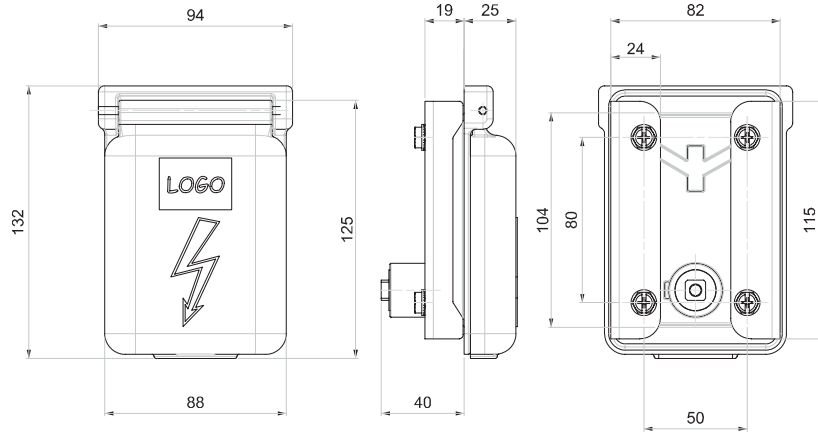
MATERIAL

BODY: Stainless steel
 HANDLE: Zamak DIN-EN 1774-ZnAl4Cu1
 PADLOCK HASP: Stainless steel
 CAM: Steel



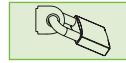
118

T HANDLE HEAVY-DUTY LOCK



LH/RH

RoHS



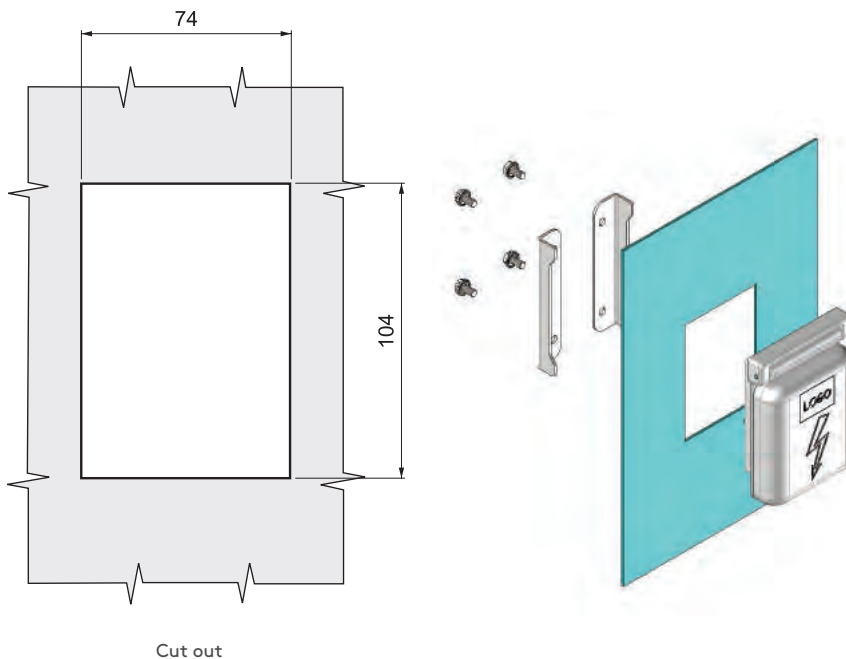
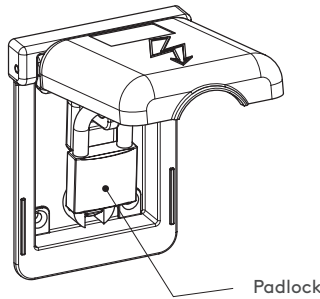
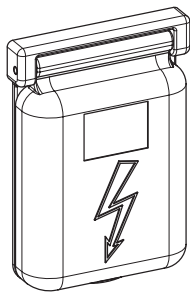
- For low voltage cabinets
- Optional polyurethane gasketing
- Maximum padlock shackle diameter 10 mm
- Option to be supplied without painting or plating
- For customised cam contact Essentra

APPLICATIONS

Electricital Substation

MATERIAL

BODY: Aluminium
 COVER: Aluminium
 HANDLE: Zamak DIN-EN 1774-ZnAl4Cu1
 PAD LOCK HASP: Aluminium



HEAVY-DUTY LOCKS

T HANDLE HEAVY-DUTY LOCK

018



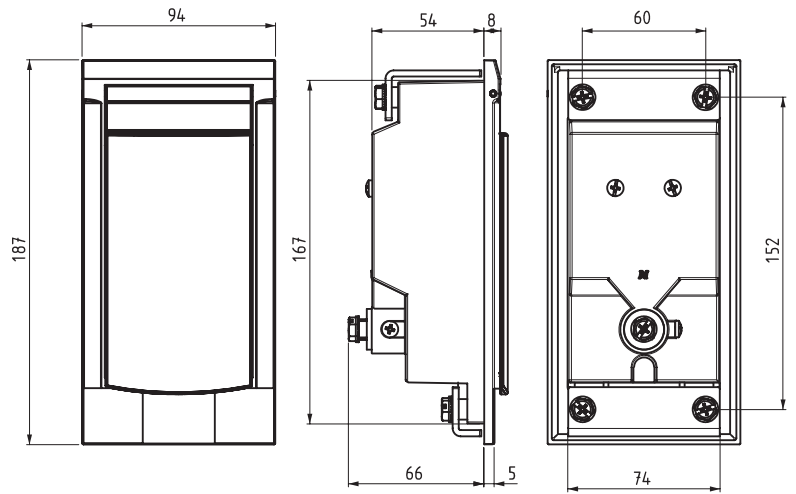
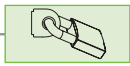
IP 65



LH/RH



RoHS



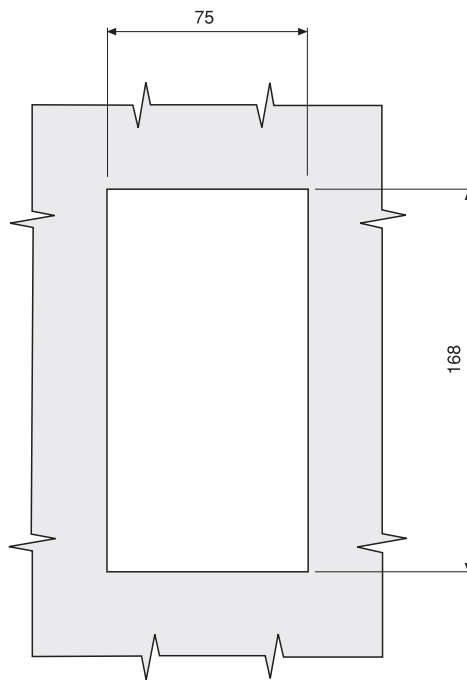
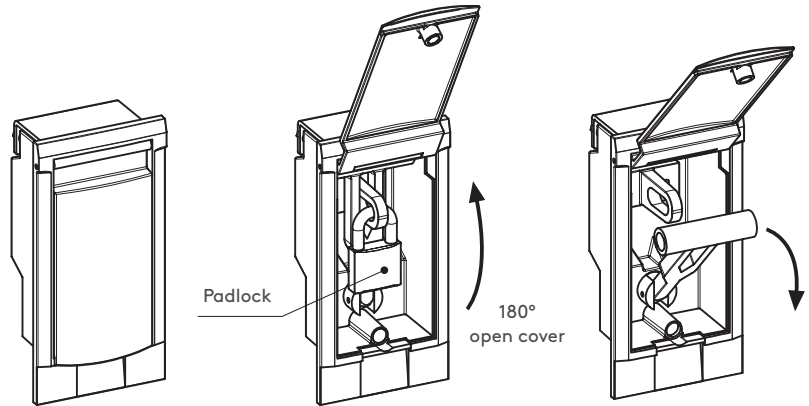
- Especially designed for medium voltage panels
- Foam gasketing provides sealing
- Maximum padlock shackle diameter 9 mm
- For customised cam and colours contact Essentra

APPLICATIONS

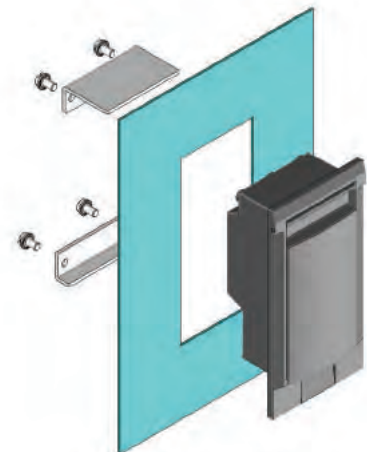
Electrical substations

MATERIAL

BODY: Aluminium
 COVER: Aluminium
 HANDLE: Zamak DIN-EN 1774-ZnAl4Cu1
 PIN: Stainless steel
 PADLOCK HASP: Zamak

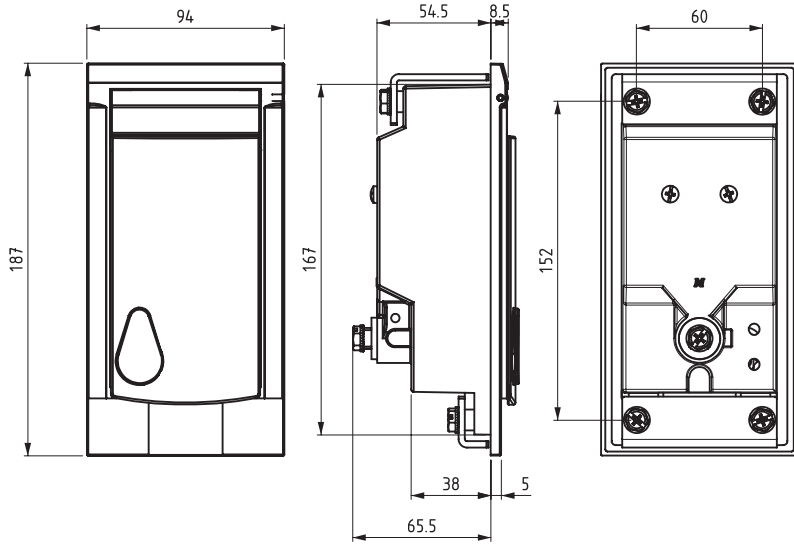


Cut out



018

T HANDLE HEAVY-DUTY LOCK



IP 65



LH/RH



RoHS



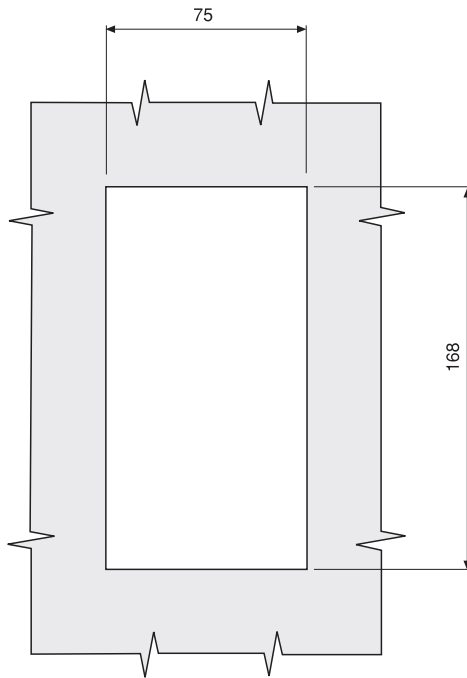
- For low voltage cabinets
- Optional polyurethane gasketing
- Maximum padlock shackle diameter 10 mm
- Option to be supplied without painting or plating
- For customised cam contact Essentra

APPLICATIONS

Electrical Substation

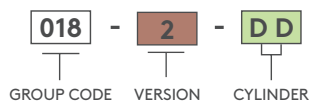
MATERIAL

BODY: Aluminium
 COVER: Aluminium
 HANDLE: Zamak DIN-EN 1774-ZnAl4Cu1
 PAD LOCK HASP: Aluminium



Cut out

PRODUCT CODE



SPECIFICATIONS		DD
Keyed alike		01
Keyed differ		02



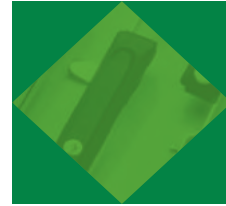


LOCKS



MISCELLANEOUS PRODUCTS

GROUP CODE	PRODUCT NAME
012	HVAC LOCK
012 A1	INTERNAL SAFETY HANDLE
612	HVAC LOCK
712	FUNCTIONAL LOCKING HINGE
075	PANEL LOCK WITH HEXAGONAL HEAD
462	BRIDGE CLAMP SYSTEM
078	CLAMPS (3D)
3501	EMERGENCY STOP BUTTON
077	COMPRESSION LOCK
177	COMPRESSION LOCK
170	LIFT-AND-TURN LOCK
070	LIFT-AND-TURN LOCK
072	FUNCTIONAL LOCK
270	SWELL LOCK
071	SLIDING LOCK
371	SLIDING LOCK
571	SLIDING LOCK
271	SLIDING LOCK
471	MINI SLIDING LOCK
171	MINI SLIDING LOCK
466	MINI LOCK
183	QUARTER-TURN LOCK
176	HOOKEED LOCK



ESSENTRA

PAGE

110 - 113

114

115

116 - 117

118

119

120

121

122 - 123

124 - 125

126 - 127

128

129

130 - 131

132

133

134

135

136

137

138

139

140



MISCELLANEOUS PRODUCTS



HVAC LOCK

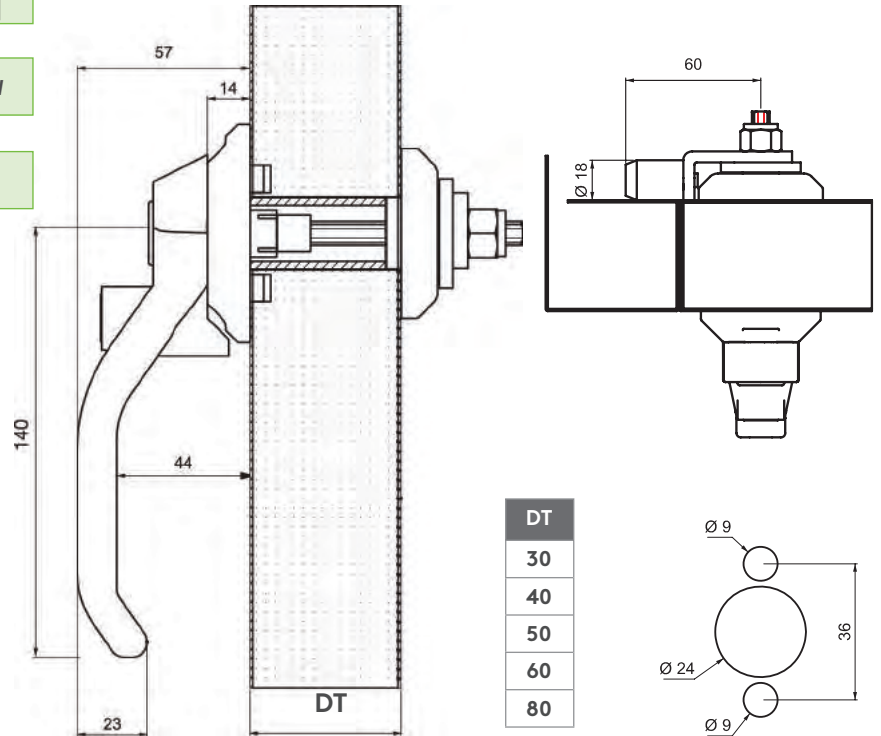
012



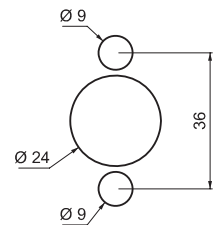
Driver System

No Cylinder

-  **LH/RH**
-  **RoHS**



DT
30
40
50
60
80



Cut out

- Removable handle for easy assembly on site
- Roller cam requires less force for locking
- With or without cylinder and driver available
- Can be used for different door thicknesses
- Internal handle available for opening door from inside for safety purposes

APPLICATIONS

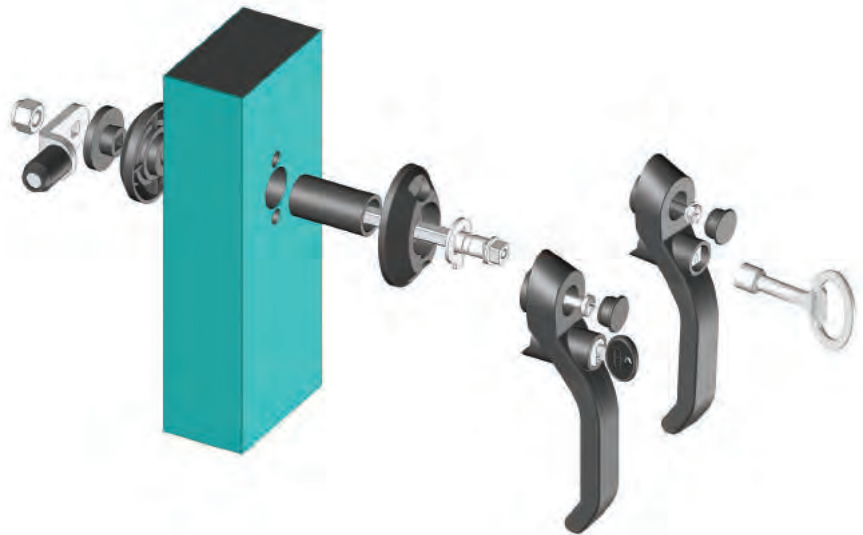
Heating and ventilation panels

MATERIAL

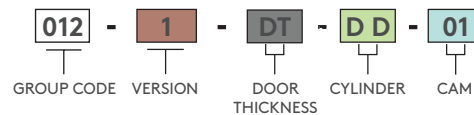
BODY: Polyamide DIN-EN ISO 1043-1 PA6 GFR 30



HANDLE: Polyamide DIN-EN ISO 1043-1 PA6 GFR 30

CAM: Steel



PRODUCT CODE



CYLINDER	SPECIFICATIONS	DD	DRIVER
	No cylinder	00	10 mm Square
	Keyed alike	01	
	Keyed differ	02	DD 
	Euro key (5333)	05	
	CH751 (Stainless steel dust cap)	07	
		20	



012

HVAC LOCK



LH/RH

RoHS



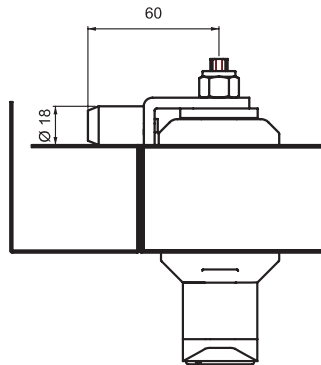
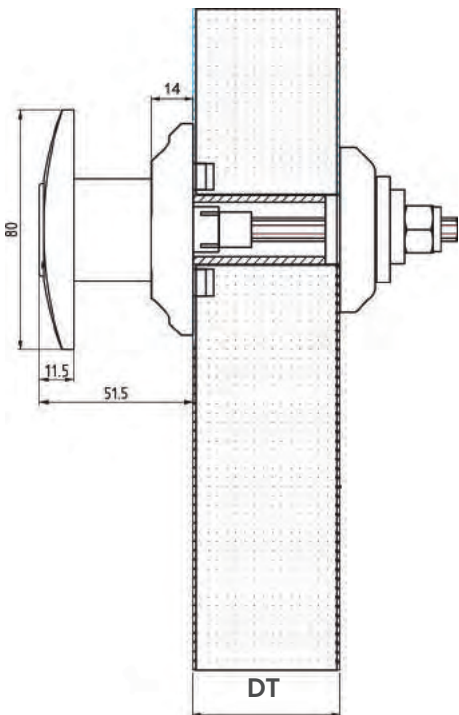
- Roller cam requires less force for locking
- Without-cylinder version
- Can be used for different door thicknesses
- Compact design requires less space

APPLICATIONS

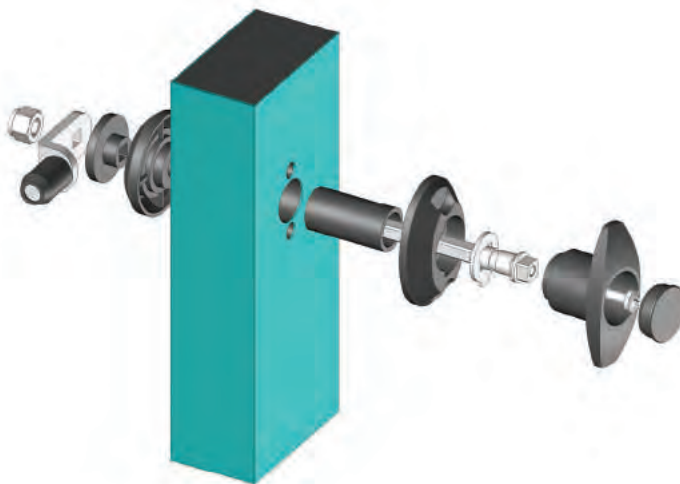
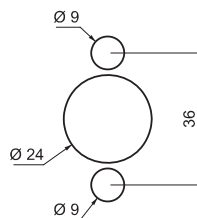
Heating and ventilation panel

MATERIAL

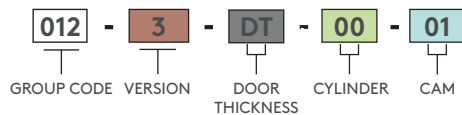
BODY: Polyamide DIN-EN ISO 1043-1 PA6 GFR 30
 HANDLE: Polyamide DIN-EN ISO 1043-1 PA6 GFR 30
 CAM: Steel
 ADJUSTABLE SCREW: Steel



DT
30
40
50
60
80



PRODUCT CODE



MISCELLANEOUS PRODUCTS

HVAC LOCK

012



LH/RH

RoHS

- Can be operated without handle

APPLICATIONS

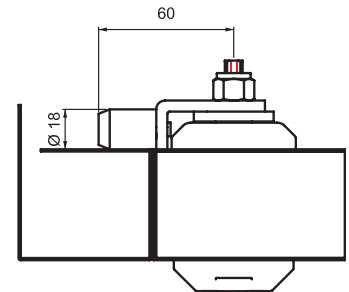
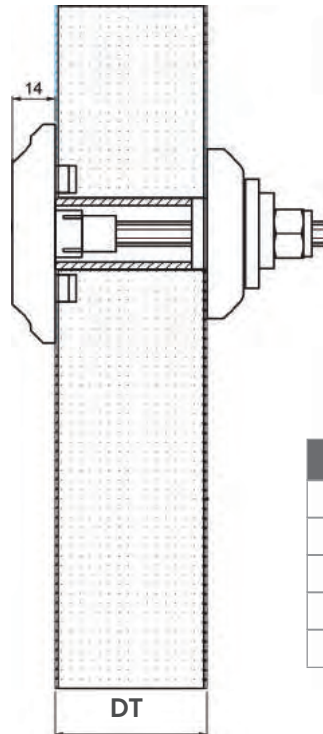
Heating and ventilation panel

MATERIAL

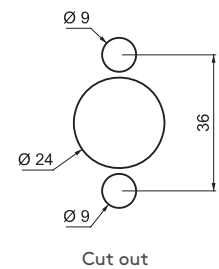
BODY: Polyamide DIN-EN ISO 1043-1 PA6 GFR 30

CAM: Steel

ADJUSTABLE SCREW: Steel



DT
30
40
50
60
80



METAL KEY

368.20

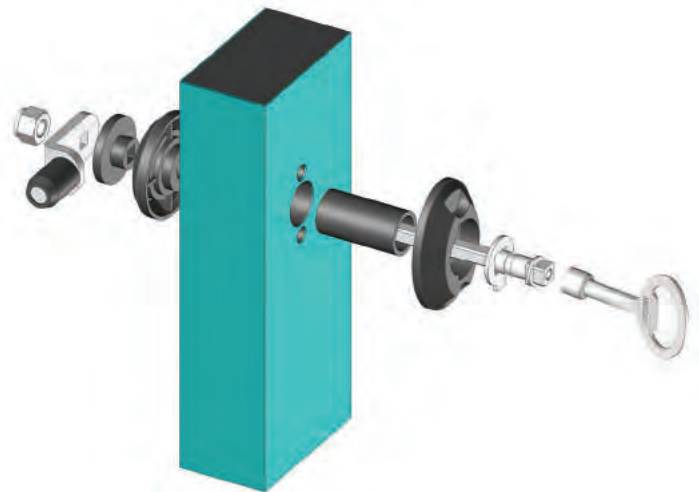


MATERIAL

Zamak DIN-EN 1774-ZnAl4Cu1

FINISH

Chrome plated



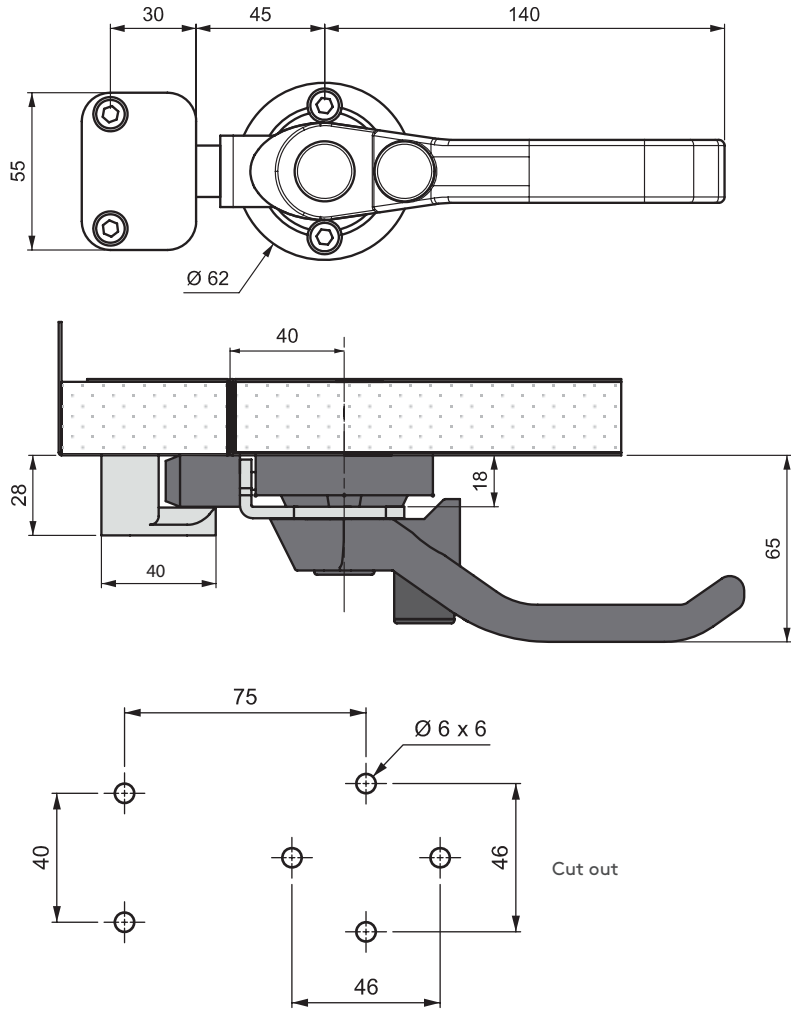
PRODUCT CODE

012	-	4	-	DT	-	01
GROUP CODE		VERSION		DOOR THICKNESS		CAM



012

HVAC LOCK



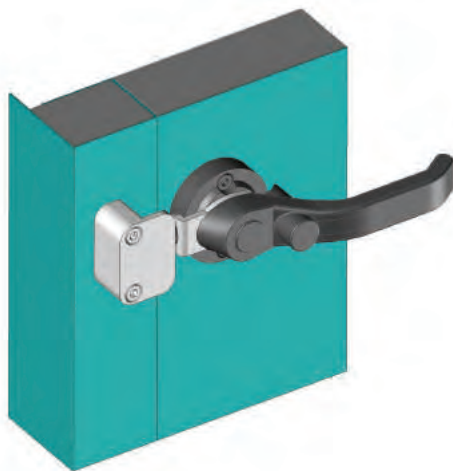
- Outside locking system provides safety for pressurised doors
- Roller cam requires less force for locking
- Can be used for different door thicknesses

APPLICATIONS

Heating and ventilation panel

MATERIAL

BODY: Polyamide DIN-EN ISO 1043-1 PA6 GFR 30
 HANDLE: Polyamide DIN-EN ISO 1043-1 PA6 GFR 30
 CAM: Steel



012 A2

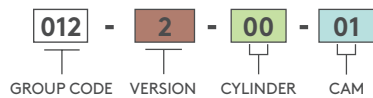
STRIKING PLATE



MATERIAL

Zamak DIN-EN 1774-ZnAl4Cu1

PRODUCT CODE



MISCELLANEOUS PRODUCTS

INTERNAL SAFETY HANDLE

012 A1



LH/RH

RoHS

- Internal safety handle is optional accessory
- Can only be used when external handle is at unlocking position

APPLICATIONS

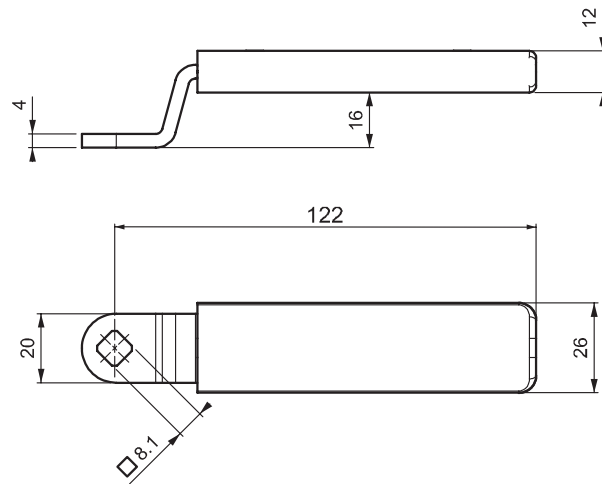
Heating and ventilation panel

MATERIAL

Steel

FINISH

Polyamide overmould



INTERNAL SAFETY HANDLE

012 A2

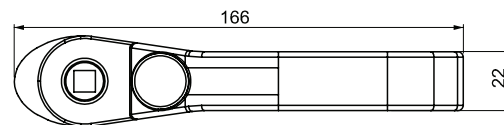
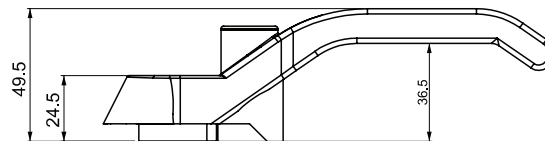


LH/RH

RoHS

MATERIAL

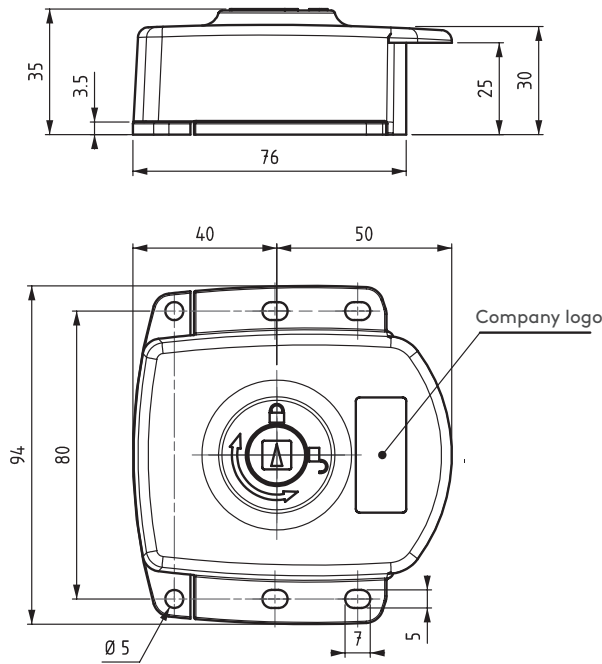
Polyamide DIN-EN ISO 1043-1 PA6 GFR 30





612

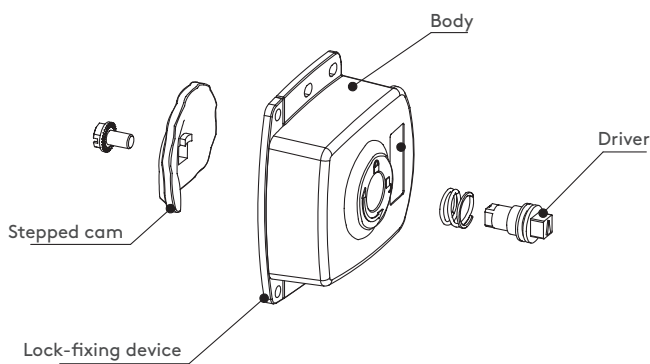
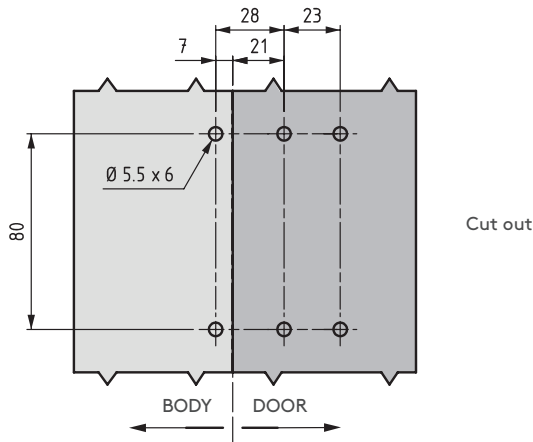
HVAC LOCK



- Outside locking system provides safety for pressurised doors
- For logo application please contact Essentra

APPLICATIONS
Heating and ventilation panel

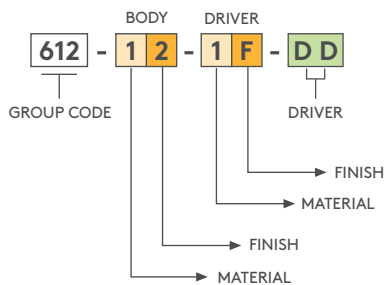
MATERIAL
 BODY: Zamak DIN-EN 1774-ZnAl4Cu1
 DRIVER: Zamak DIN-EN 1774-ZnAl4Cu1



LOCK-FIXING DEVICE



PRODUCT CODE

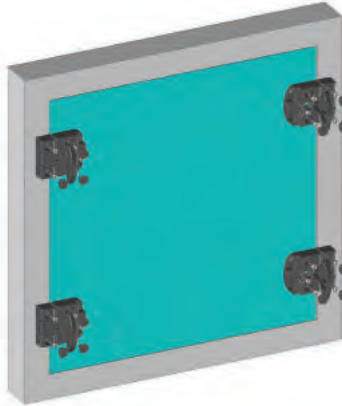


MATERIAL	M
Zamak	1
FINISH	F
Chrome	1
Black coated	2

For drivers please check page: 166

FUNCTIONAL LOCKING HINGE

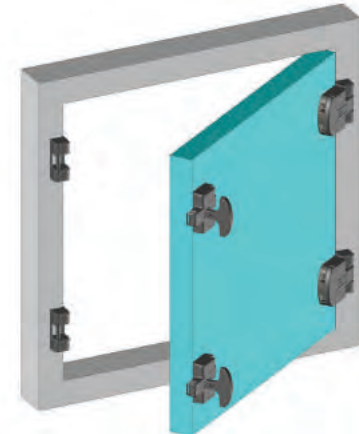
712



Assembly:

Functional locking hinge can be mounted left or right side of the door.

One side function as a hinge the other function as a lock



Right cover application:
right hinge - left lock



Left cover application:
left hinge - right lock

Removing the door

- Lift the handle
- Remove the door.





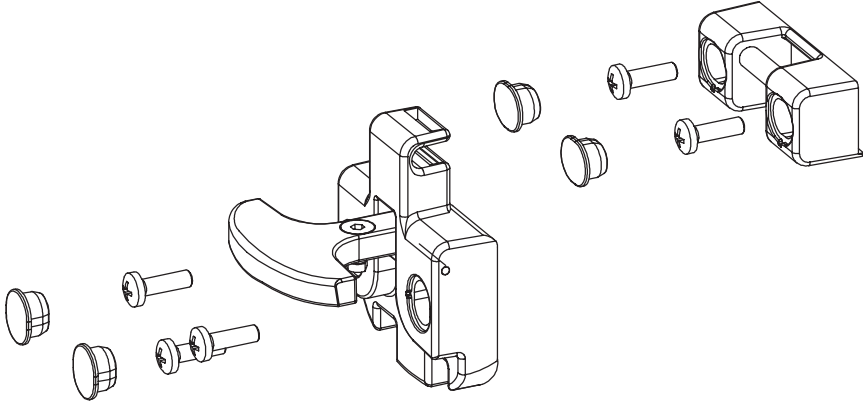
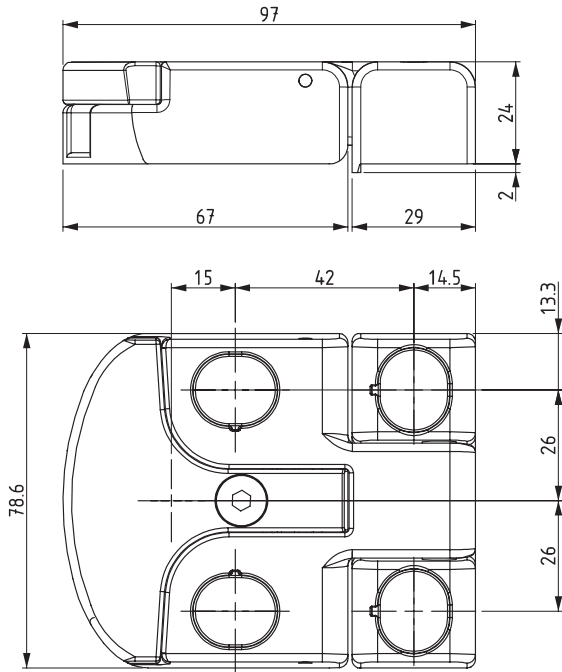
712

FUNCTIONAL LOCKING HINGE



LH/RH

RoHS

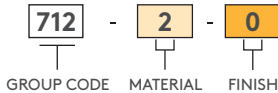


- Lock can also be used as hinge
- Door can be completely removed by unlocking the both products

APPLICATION
Heating and ventilation panel

MATERIAL
 BODY: Polyamide DIN-EN ISO 1043-1 PA6 GFR 30
 HANDLE: Polyamide DIN-EN ISO 1043-1 PA6 GFR 30
 DRIVER: Zamak DIN-EN 1774-ZnAl4Cu1
 CAM: Zamak DIN-EN 1774-ZnAl4Cu1
 CATCH PLATE: Zamak DIN-EN 1774-ZnAl4Cu1

PRODUCT CODE





462

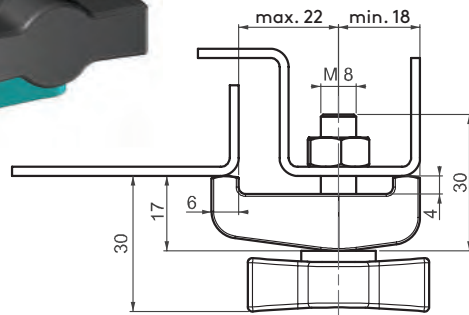
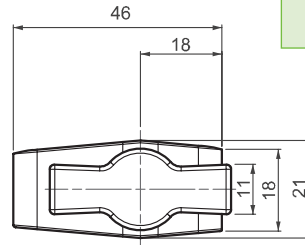
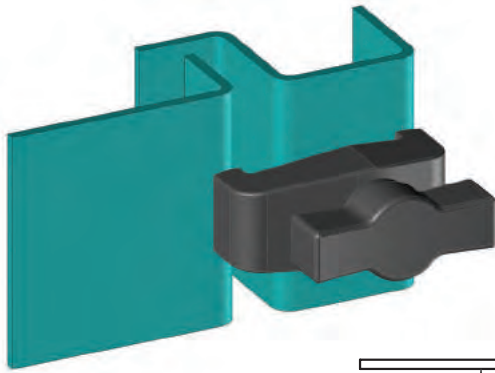
BRIDGE CLAMP SYSTEM

LH/RH

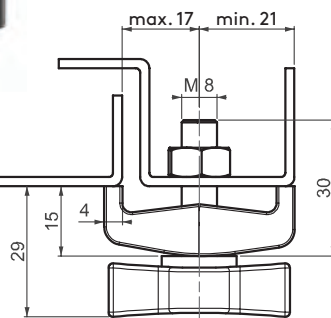
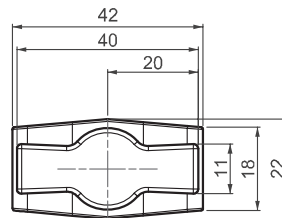
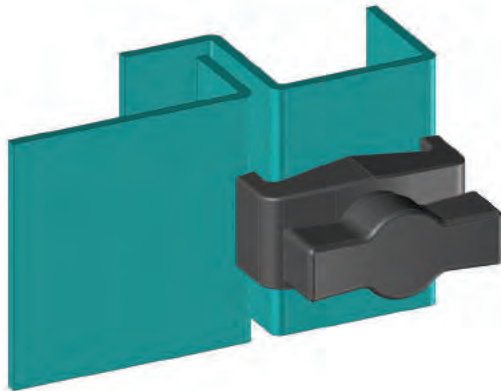
RoHS



V :1



V :2



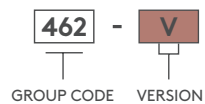
APPLICATIONS

Heating and ventilation panels

MATERIAL

HOUSING: PA6 GFR 30
 KNOB: PA6 GFR 30
 SCREW: Steel

PRODUCT CODE



CLAMPS (3D)

078



LH/RH

RoHS

- Available in all die-cast zinc alloy
- 3D capability
- High mechanical resistance

APPLICATIONS

HVAC

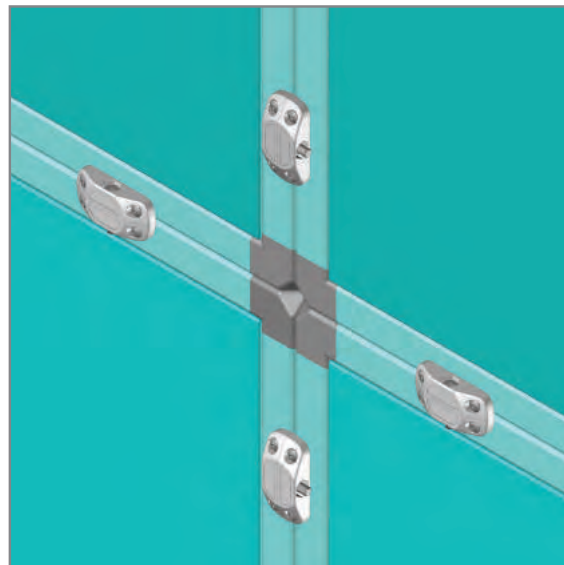
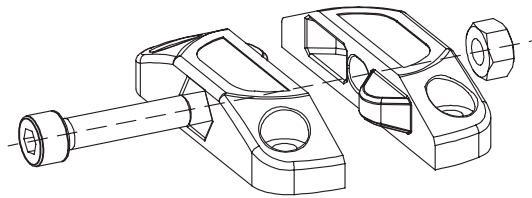
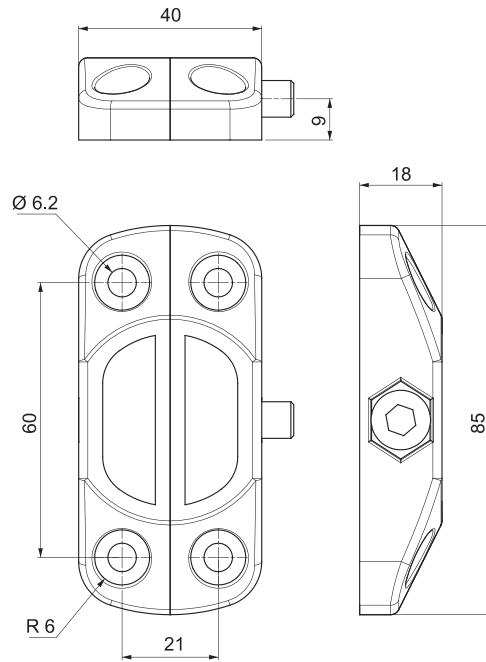
MATERIAL

BODY: Zamak DIN-EN 1774-ZnAl4Cu1
 BOLT: Steel
 NUT: Steel

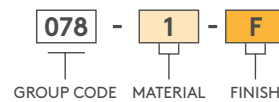
FINISH

Zinc Plated or black coated

⚠ Note: Bolts are not supplied



PRODUCT CODE



MATERIAL		FINISH	
	F		F
Zamak	1	No Finish	0
		Zinc plated	3
		Black coated	2

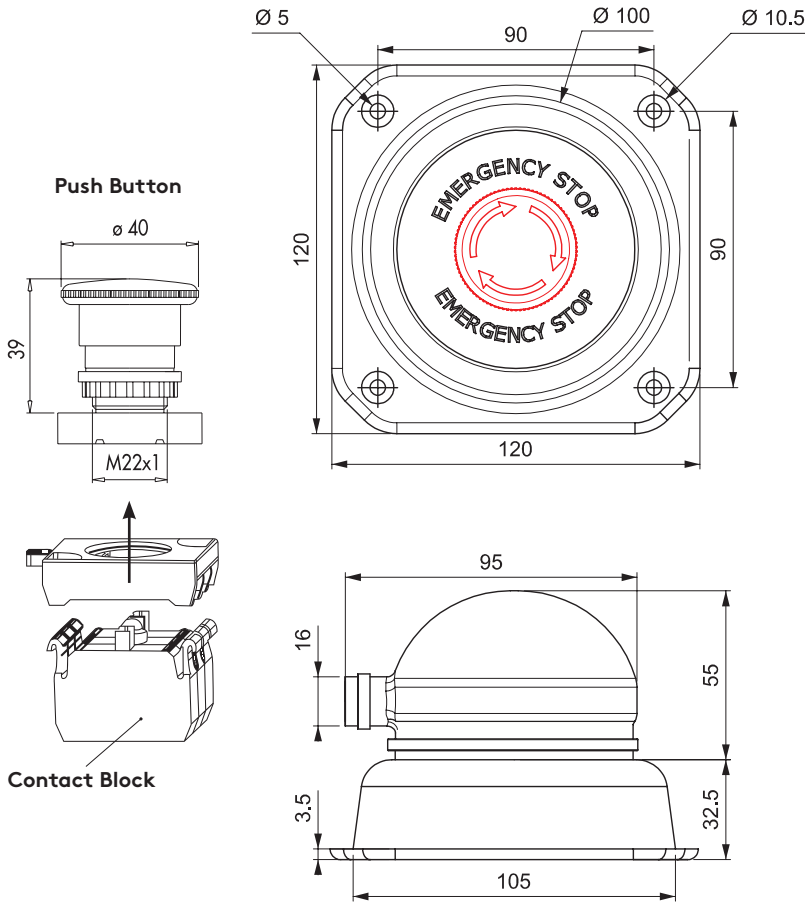


3501

EMERGENCY STOP BUTTON



IP 65



- Easy to install
- Different contact options (max. 3 contact)
- Standard wire length is 2.5 m
Standard conduit length is 2 m

APPLICATIONS

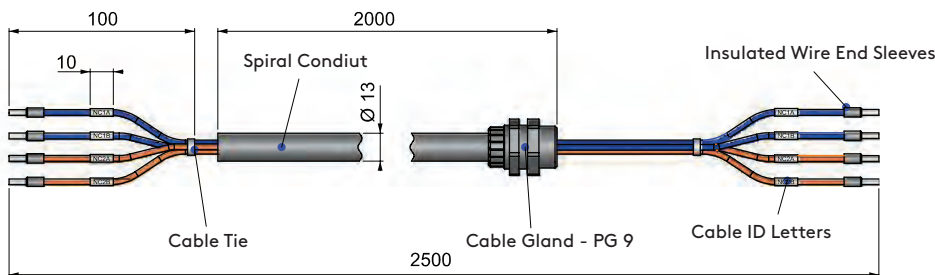
Generators

MATERIAL

BOWL: Polyamid DIN-EN ISO 1043-1 PA6 GFR 30
 PROTECTIVE COVER: PVC
 GASKET: EPDM
 SPIRAL CONDUIT: PA6
 CABLE GLAND: PA66

BUTTON SPECIFICATIONS

Mechanical Life : 500.000 operations min.
 Electrical Life : 100.000 operations min.
 Operating Temperature : min./max. °C -5/+40
 Protection Degree : IP65
 Operating Frequency : Without load 3000 oper./hour - At full load 1200 oper./hour
 Rated Operating Voltage Ue : 230 V AC
 Rated Operating Current Ie : 4 A
 Insulation Voltage Ui : 300 V
 Stroke Resistance Voltage Uimp : 2.5 kV
 Standard Contact Material : AgNi
 Insulation Resistance : 10 MΩ min. (500 V DC)
 Dielectrical Strength :
 Between body-contact: 2000 V AC
 Open contact : 1500 V AC
 Connection Cable Cross-Section : 1.5-2.5 mm²
 Standard : UL 508/TS EN 60947-5-1/
 VDE0660/IEC 60393-1



Contact Block Type		Product Code
Normally Open	Normally Closed	
		3501.V
-	1	3501.1
-	2	3501.2
1	1	3501.3
1	-	3501.4
2	-	3501.5

COMPRESSION LOCK

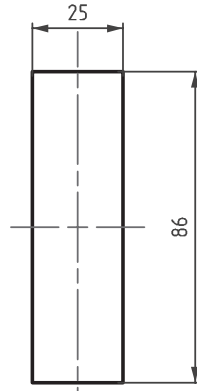
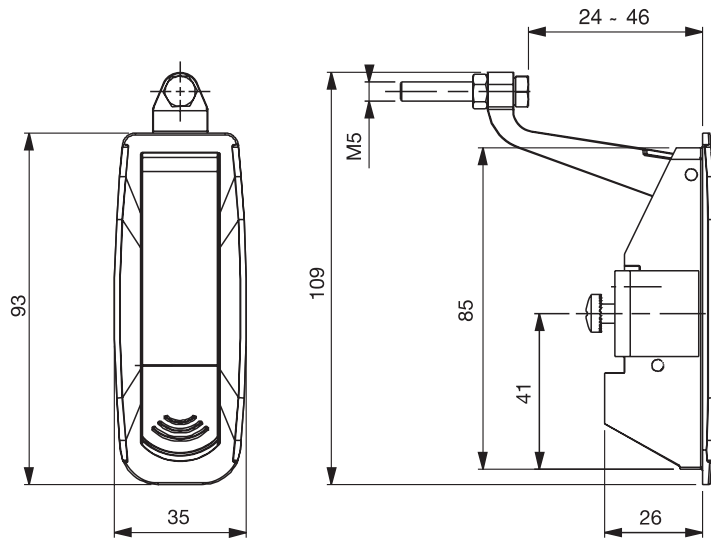
077



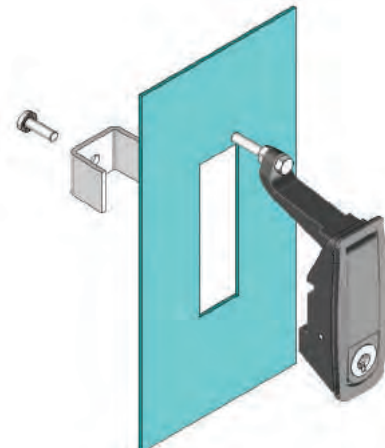
LH/RH

RoHS

V :1



Cut out



- Available with or without cylinder
- 24mm – 46 mm grip adjustment
- Suitable for maximum 2 mm door thickness
- Assemble lock with one fixing bracket

APPLICATIONS

Generators, compressors, electric panels, machinery covers

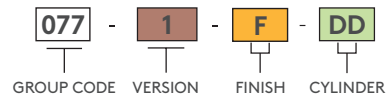
MATERIAL

BODY: Zamak DIN-EN 1774-ZnAl4Cu1

HANDLE: Zamak DIN-EN 1774-ZnAl4Cu1

FIXING BRACKET: Steel

PRODUCT CODE



FINISH	F
Chrome	1
Black coated	2

SPECIFICATIONS	DD
No cylinder	00
Keyed alike	01
Keyed differ	02
Euro Key	03
CH751 (Stainless steel dust cap)	07



077

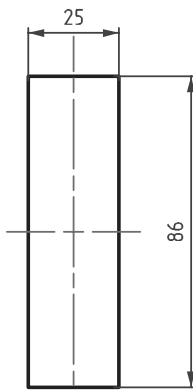
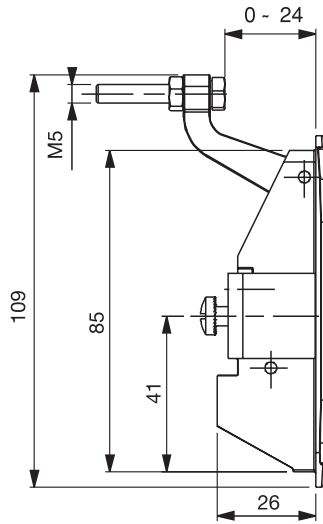
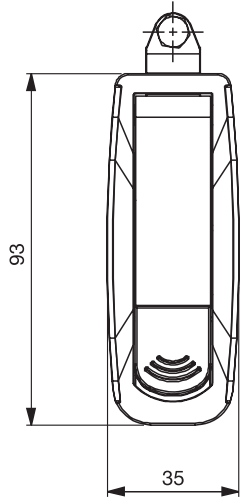
COMPRESSION LOCK

V : 2

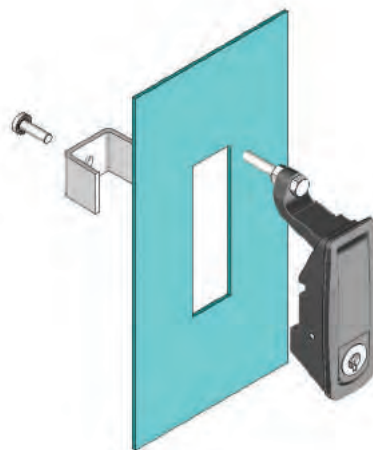


LH/RH

RoHS



Cut out



- Available with or without cylinder
- 0 mm – 24 mm grip adjustment
- Suitable for maximum 2 mm door thickness
- Assemble lock with one fixing bracket

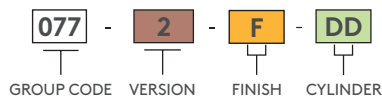
APPLICATIONS

Generators, compressors, electric panels, machinery covers

MATERIAL

BODY: Zamak DIN-EN 1774-ZnAl4Cu1
 HANDLE: Zamak DIN-EN 1774-ZnAl4Cu1
 FIXING BRACKET: Steel

PRODUCT CODE



FINISH	F
Chrome	1
Black coated	2

SPECIFICATIONS	DD
No cylinder	00
Keyed alike	01
Keyed differ	02
Euro Key	03
CH751 (Stainless steel dust cap)	07

MISCELLANEOUS PRODUCTS

COMPRESSION LOCK

177



Driver System

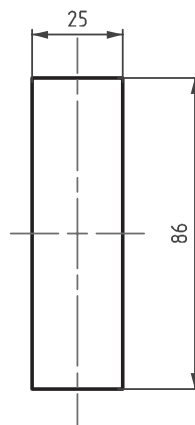
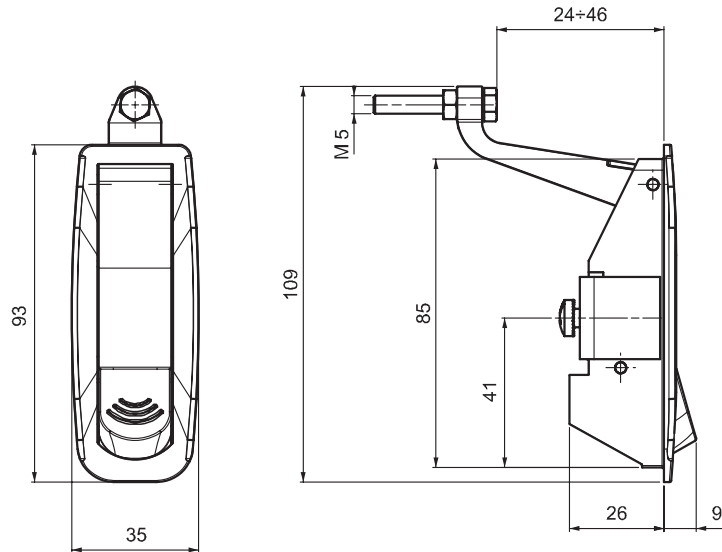


No Cylinder

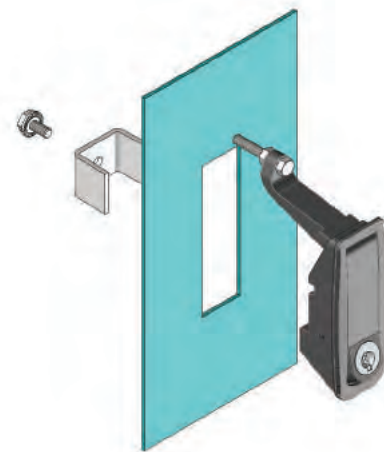


- LH/RH
- RoHS

V : 1



Cut out



- Available with or without cylinder
- 24mm – 46 mm grip adjustment
- Suitable for maximum 2 mm door thickness
- Assemble lock with one fixing bracket

APPLICATIONS

Generators, compressors, electric panels, machinery covers

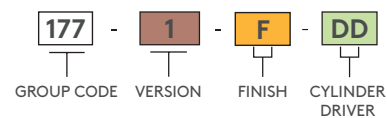
MATERIAL

BODY: Zamak DIN-EN 1774-ZnAl4Cu1

HANDLE: Zamak DIN-EN 1774-ZnAl4Cu1

FIXING BRACKET: Steel

PRODUCT CODE



FINISH	F
Chrome	1
Black coated	2

SPECIFICATIONS	DD
No cylinder	00
Keyed alike	01
Keyed differ	02
Euro Key	03
CH751 (Stainless steel dust cap)	07

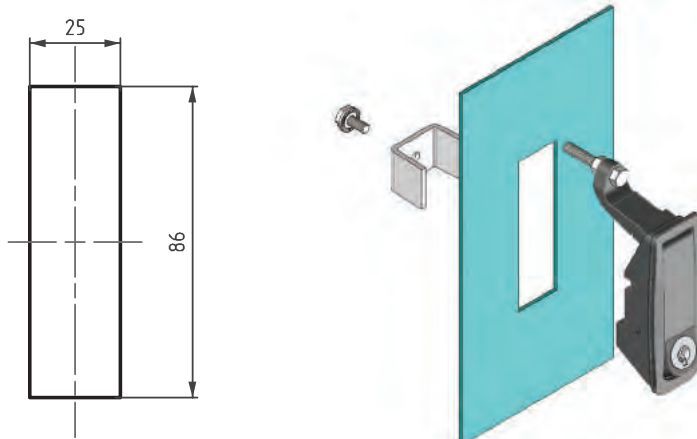
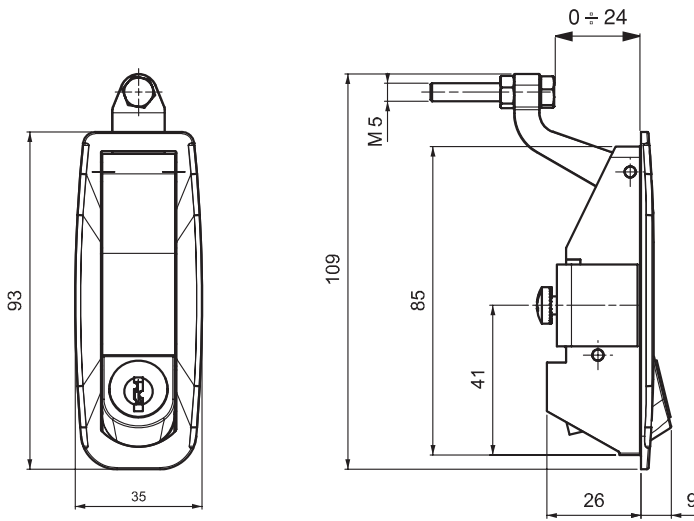
DRIVER	
Slot	
DD	
42	



177

COMPRESSION LOCK

V : 2



Cut out



LH/RH

RoHS



Driver System

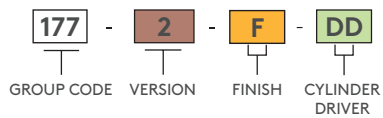


No Cylinder



- Available with or without cylinder
- 0 mm – 24 mm grip adjustment
- Suitable for maximum 2 mm door thickness
- Assemble lock with one fixing bracket

PRODUCT CODE



FINISH	F
Chrome	1
Black coated	2

SPECIFICATIONS	DD
No cylinder	00
Keyed alike	01
Keyed differ	02
Euro Key	03
CH751 (Stainless steel dust cap)	07

DRIVER	
Slot	
DD	
42	

APPLICATIONS

Generators, compressors, electric panels, machinery covers

MATERIAL

BODY: Zamak DIN-EN 1774-ZnAl4Cu1
 HANDLE: Zamak DIN-EN 1774-ZnAl4Cu1
 FIXING BRACKET: Steel

MISCELLANEOUS PRODUCTS

LIFT-AND-TURN LOCK

170

ALL IN METAL



LH/RH

RoHS

V :1

- For cabinets that require better sealing under vibrating conditions
- Provides 5 mm of compression
- Provides noise isolation
- Three cam alternatives available

APPLICATIONS

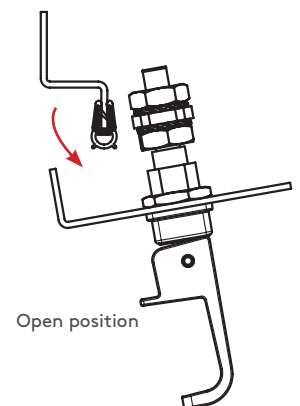
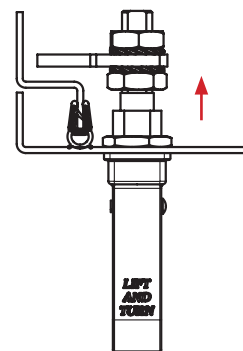
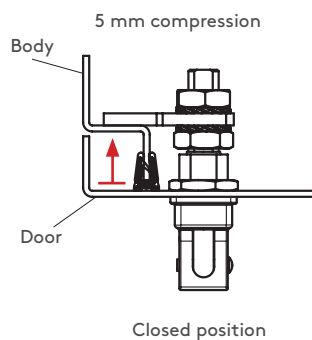
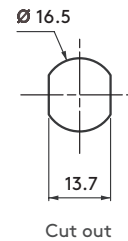
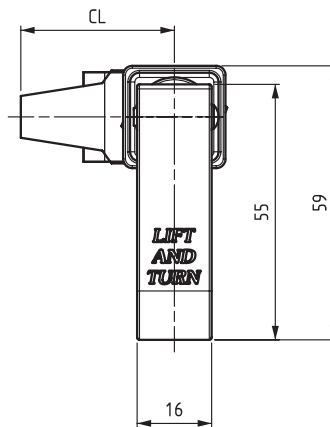
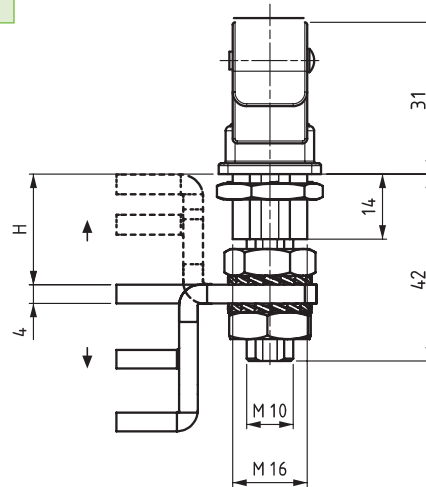
Electric panels, machinery covers, railway applications, construction equipment

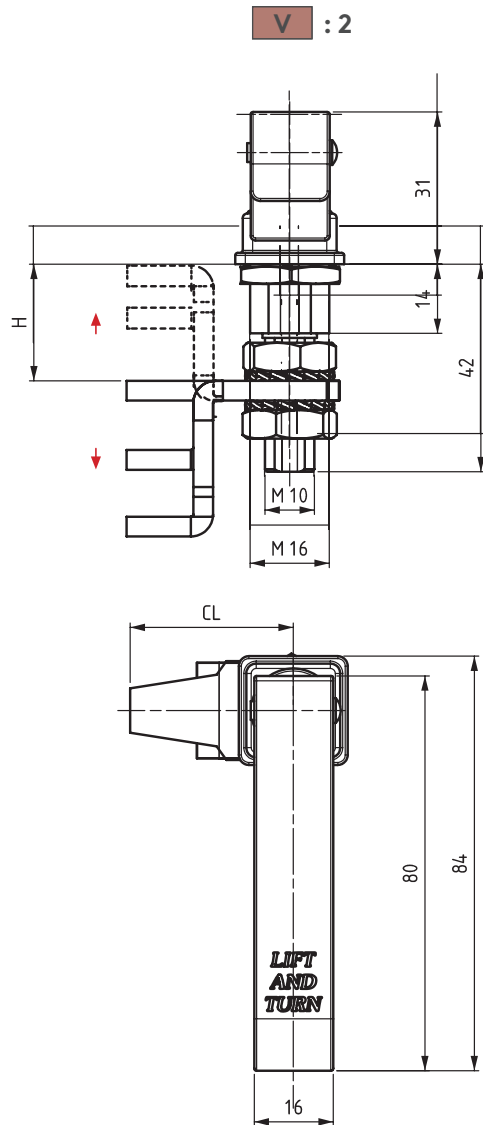
MATERIAL

HOUSING: Zamak DIN-EN 1774-ZnAl4Cu1
 HANDLE: Zamak DIN-EN 1774-ZnAl4Cu1
 CAM: Steel

FINISH

Chrome plated or black coated





170

LIFT-AND-TURN LOCK

ALL IN METAL



LH/RH

RoHS



- For cabinets that require better sealing under vibrating conditions
- Lock provides 5 mm of compression
- Provides noise isolation
- Three cam alternatives available

APPLICATIONS

Electric panels, machinery covers, railway applications, construction equipment

MATERIAL

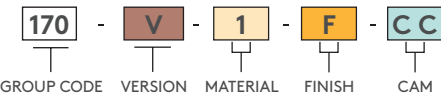
HOUSING: Zamak DIN-EN 1774-ZnAl4Cu1
 HANDLE: Zamak DIN-EN 1774-ZnAl4Cu1
 CAM : Steel

FINISH

Chrome plated or black coated

CAM	CC	CH	CL	H GRIP	
				MIN CAM ↑	MAX CAM ↓
1	01	0	33	22.5	30
2	02	14	33	8.5	44
3	03	27.5	33	0	57.5

PRODUCT CODE



FINISH	F
Chrome	1
Black coated	2

MISCELLANEOUS PRODUCTS

LIFT-AND-TURN LOCK

070



LH/RH

RoHS

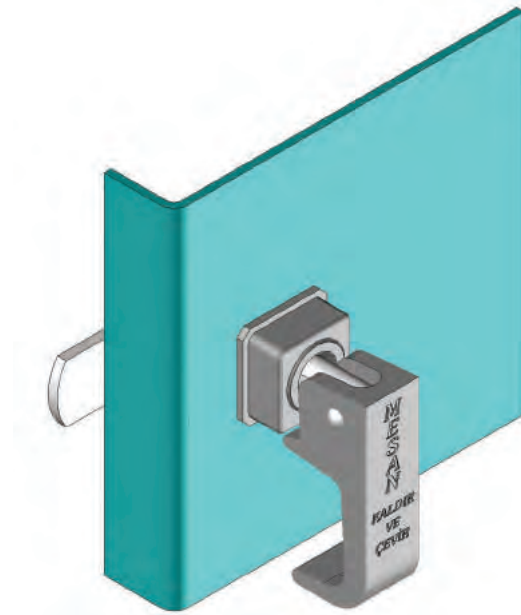
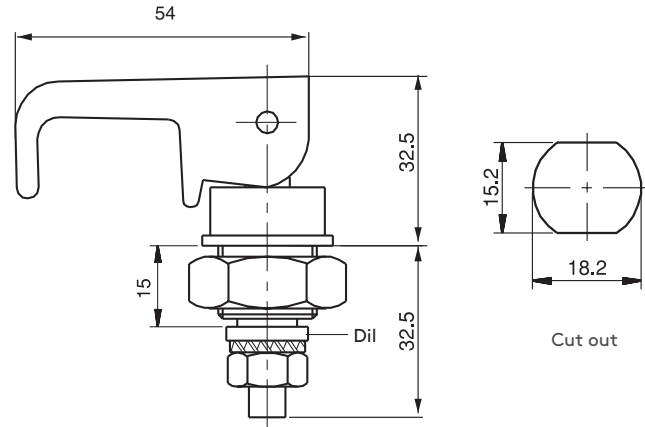
- Suitable for steel and polyester panels
- Provides 5 mm of compression

APPLICATIONS

Electric panels, machinery covers

MATERIAL

BODY: Polyamide DIN-EN ISO 1043-1 PA6 GFR 30
CAM: Steel





072

FUNCTIONAL LOCK

IP 54



LH

RH



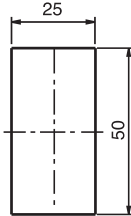
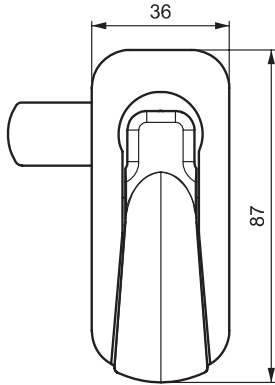
RoHS



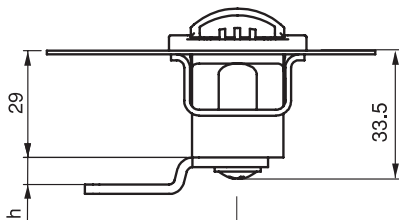
- Suitable for steel and polyester panels
- Standard cut out for both versions
- Clip fixing version suitable for panels with thickness of between 0.8 mm and 2 mm

APPLICATIONS
Electric panels, machinery covers

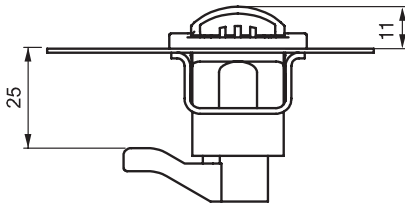
MATERIAL
BODY: Polyamide DIN-EN ISO 1043-1 PA6 GFR 30
CAM: Steel or PA6 GFR 30



Cut out



Steel cam



Plastic cam
CC: 80

V :1



V :2

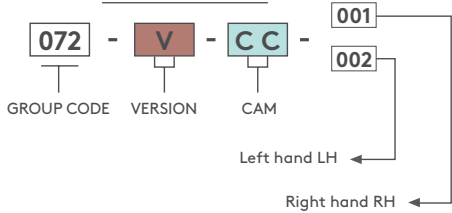
Clip-in fixing



DT	
Min	Max
0.8mm	2mm

DT (DOOR THICKNESS)

PRODUCT CODE



For cams please check page: 149

SWELL LOCK

270



LH/RH

RoHS

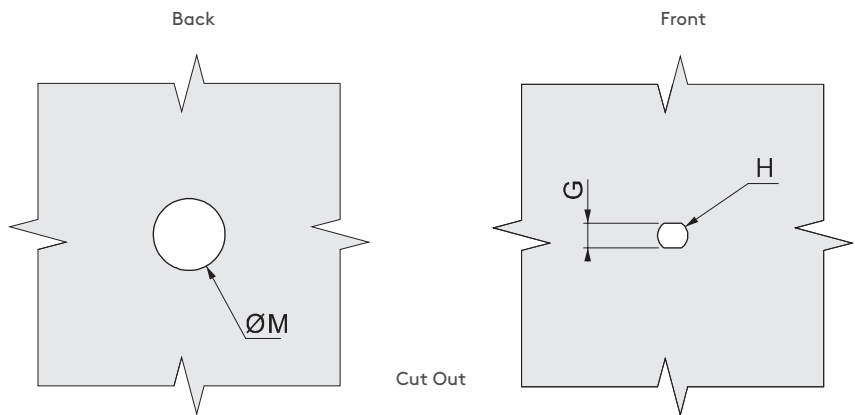
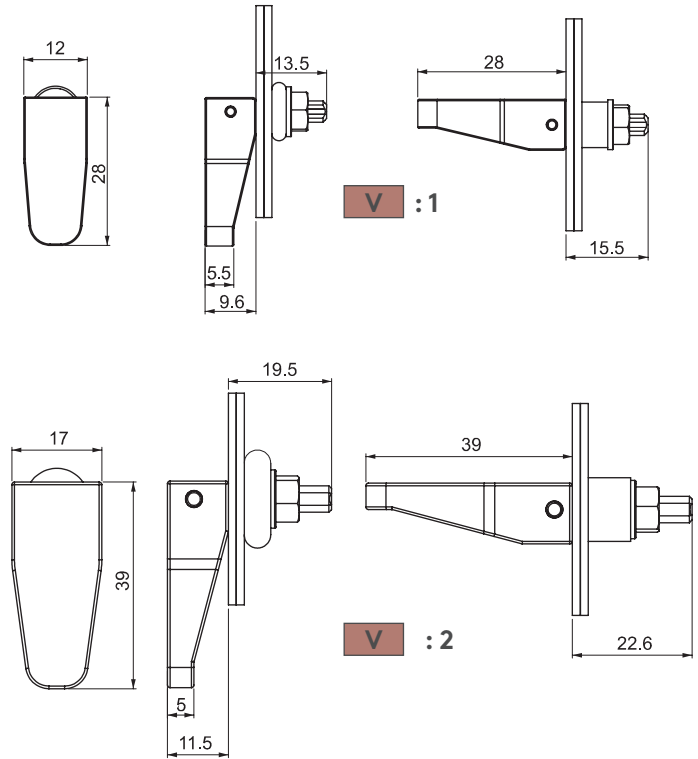
- Used for the cabinets that require better under vibration conditions.
- It is suitable with special cut out for different frame thickness.

APPLICATIONS

Electric panels, machinery covers, railway applications, construction equipment

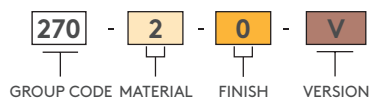
MATERIAL

HANDLE: Polyamide DIN-EN ISO 1043-1 PA6 GFR 30
 WASHER: PA66
 NUT : PA66
 BUSHING : SBR Rubber



VERSION	G +0.1 -0.0	H +0.1 -0.0	FRAME THICKNESS	CUT OUT ØM
1	3.3	4.1	3.2	9.5
2	4.5	5.8	Up to 3.2	13.5
			3.2 - 4.8	14

PRODUCT CODE





270

SWELL LOCK



LH/RH

RoHS



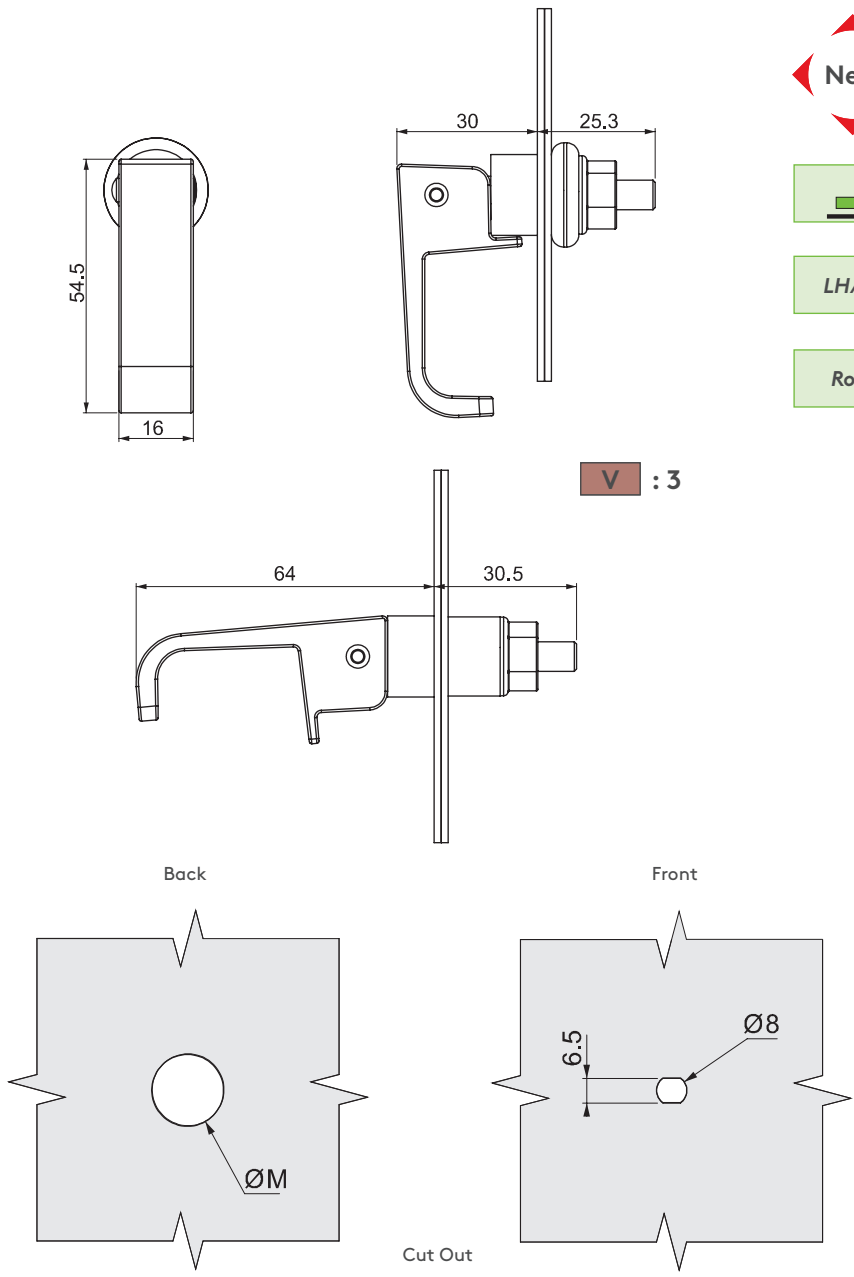
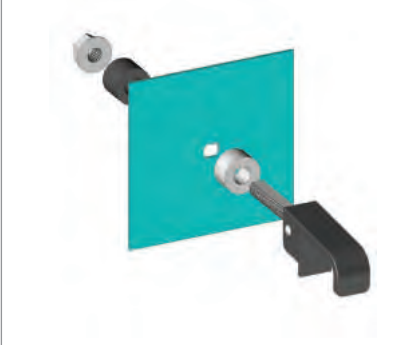
- Used for the cabinets that require better under vibration conditions.
- It is suitable with special cut out for different frame thickness.

APPLICATIONS

Electric panels, machinery covers, railway applications, construction equipment

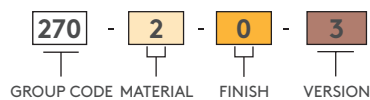
MATERIAL

HANDLE: Zamak DIN-EN 1774-ZnAl4Cu1
 WASHER: PA66
 NUT : PA66
 BUSHING : SBR Rubber



FRAME THICKNESS	CUT OUT ØM
1.2-3.2	19
3.2-4.8	19.5
4.8-6.4	20
6.4 and up	20.5

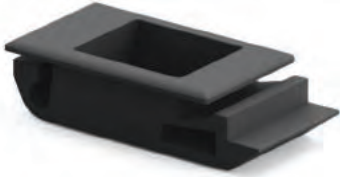
PRODUCT CODE



MISCELLANEOUS PRODUCTS

SLIDING LOCK

071



LH/RH

- Easy fixing
- Long-lasting stainless steel spring
- Suitable for panel thicknesses of between 0.8 mm and 1.5 mm

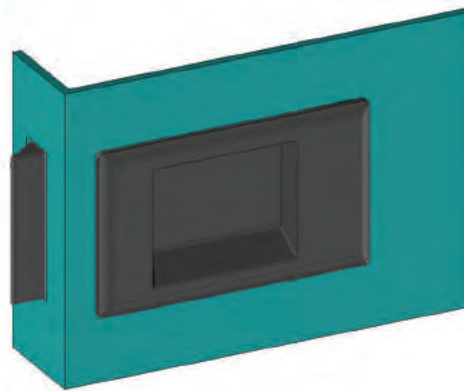
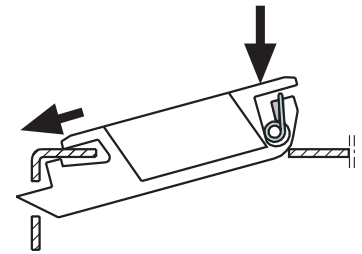
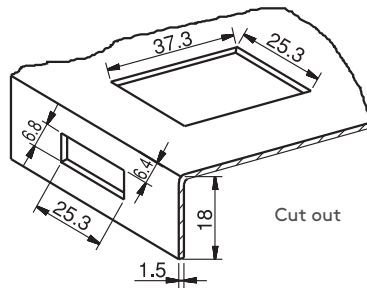
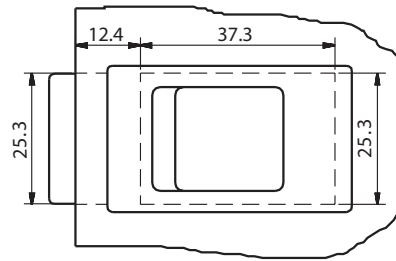
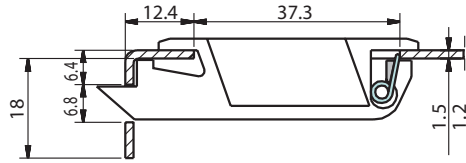
APPLICATIONS

Small metal machinery covers

MATERIAL

BODY: ABS

SPRING: Stainless Steel



SPECIFICATIONS	PRODUCT CODE
0.8 -1.2 mm thickness panel	071.12
1.2 -1.5 mm thickness panel	071.15

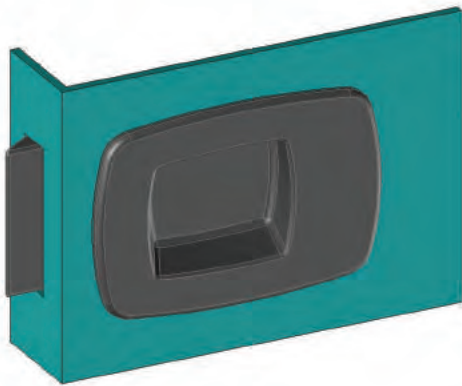
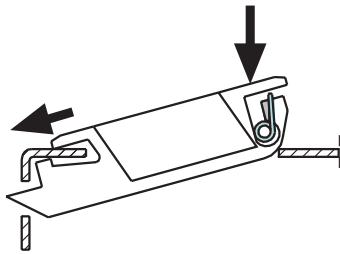
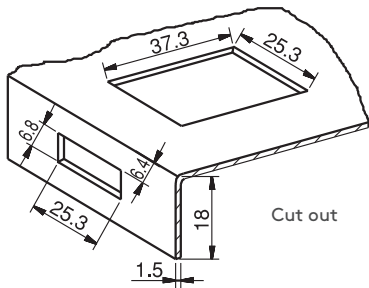
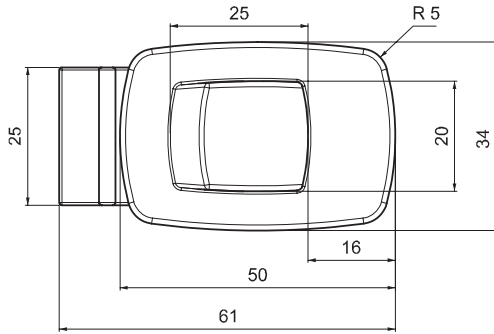
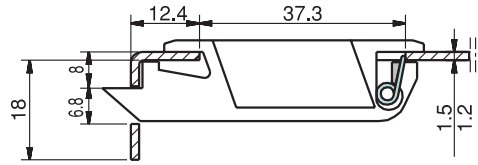


371

SLIDING LOCK



LH/RH



- Stylish design
- Easy fixing
- Long-lasting spring
- Suitable for panel thicknesses of between 0.8 mm and 1.5 mm
- Suitable for small doors
- For different colour choices please contact Essentra Components

APPLICATIONS

Small metal machinery covers

MATERIAL

BODY: ABS

SPRING: Stainless Steel

SPECIFICATIONS	PRODUCT CODE
0.8 -1.2 mm thickness panel	371.12
1.2 -1.5 mm thickness panel	371.15

SLIDING LOCK

571



LH/RH

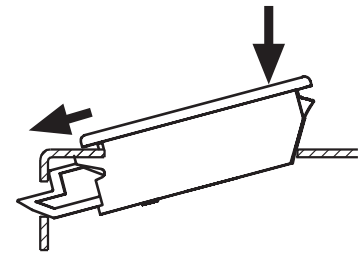
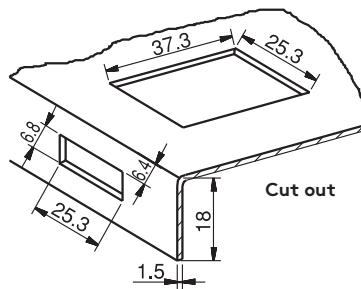
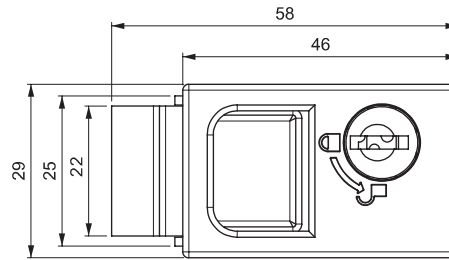
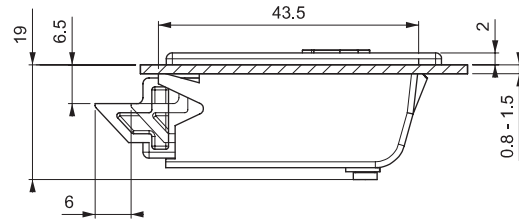
- Cylinder Locking System
- Two pieces design eliminates the paint problems on doors.
- Suitable for small size doors
- Easy assembly is possible with clips on the body
- Suitable for panel thicknesses of 0.8 - 1.5 mm

APPLICATIONS

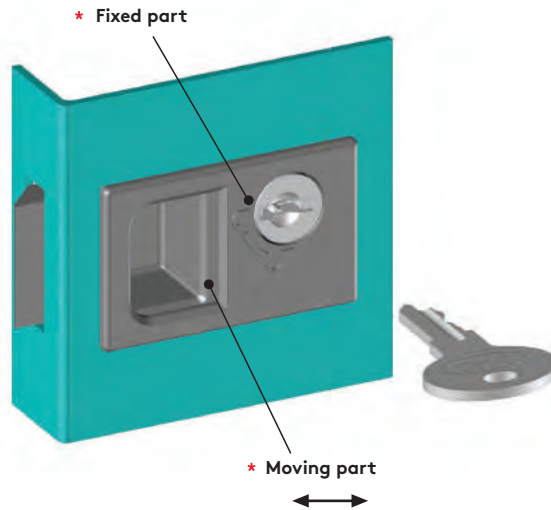
Small metal covers

MATERIAL

BODY: PA6 GFR 30
 SPRING: Stainless steel
 CYLINDER: Zamak DIN-EN 1774-ZnAl4Cu1



Follow the arrows instruction for assembly
 Open or close supplied by internal movable parts



PRODUCT CODE

571 - DD
 GROUP CODE CYLINDER

CYLINDER		DD
	Stainless steel dust cap (Keyed alike)	03
	Stainless steel dust cap (Keyed differ)	32

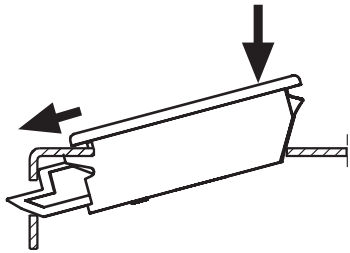
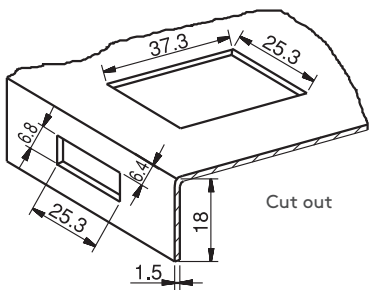
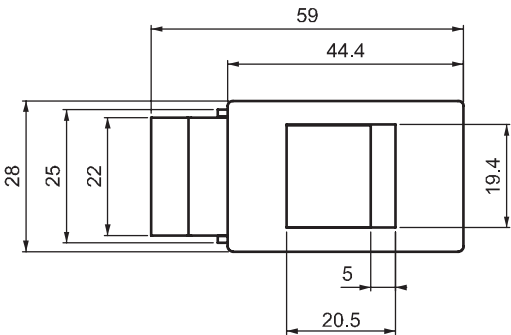
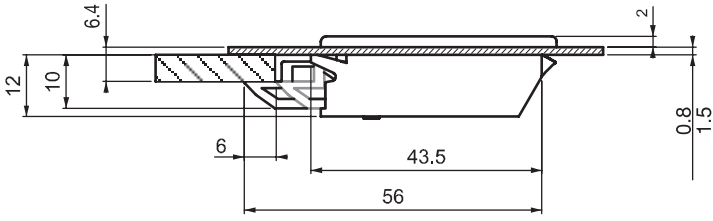
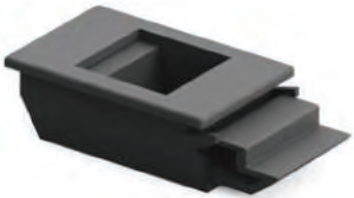


271

SLIDING LOCK



LH/RH

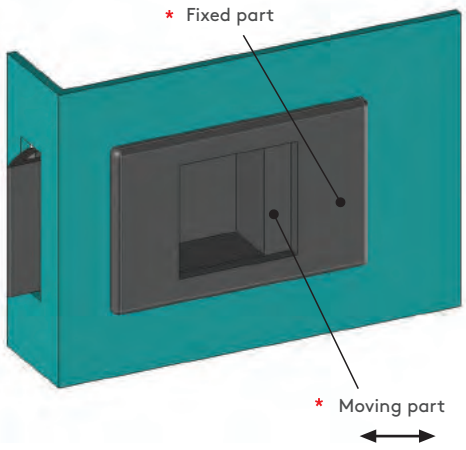


Follow the arrows for assembly instructions; open or close with internal movable parts

- Two-piece design eliminates paint problems on doors
- Suitable for small doors
- Easy assembly with clips on body
- Suitable for panel thicknesses of between 0.8 mm and 1.5 mm

APPLICATIONS
Small metal machinery covers

MATERIAL
BODY: PA6 GFR 30
SPRING: Stainless Steel



MINI SLIDING LOCK

471

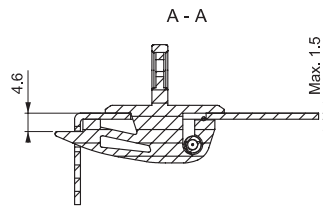
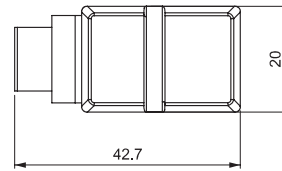
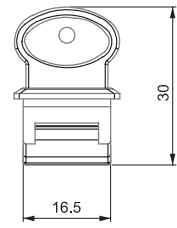
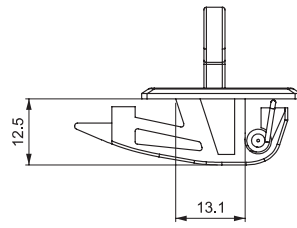


LH/RH

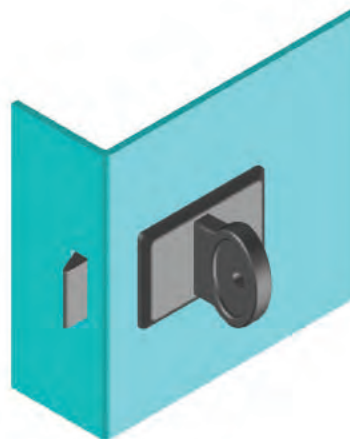
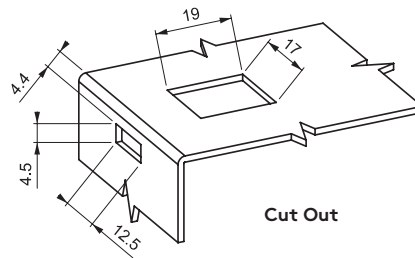
- Suitable for small doors inside panels
- Suitable for panel thicknesses of 0.8 mm to 1.5 mm.

APPLICATIONS
Small metal covers

MATERIAL
BODY: ABS
SPRING: Stainless steel



DOOR THICKNESS	
Min	Max
0.8 mm	1.5 mm



SPECIFICATIONS	PRODUCT CODE
0.8 -1.2 mm thickness panel	471.12
1.2 -1.5 mm thickness panel	471.15



171

MINI SLIDING LOCK



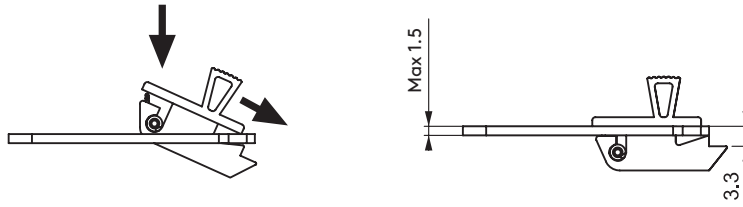
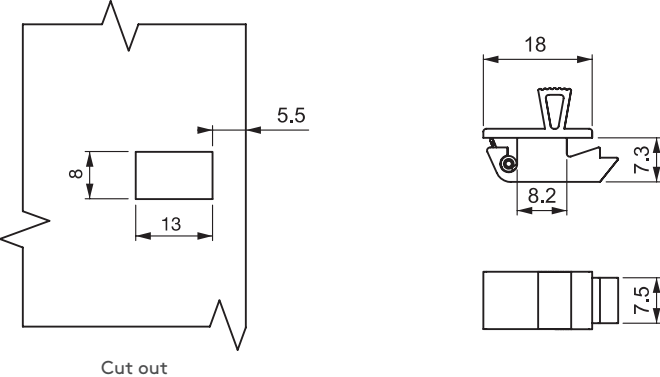
LH/RH



- Suitable for small doors and inside panels
- Suitable for panel thicknesses of between 0.8 mm and 1.5 mm

APPLICATIONS
Small metal machinery covers

MATERIAL
BODY: ABS
SPRING: Stainless Steel



DOOR THICKNESS	
Min	Max
0.8mm	1.5mm



MINI LOCK

466



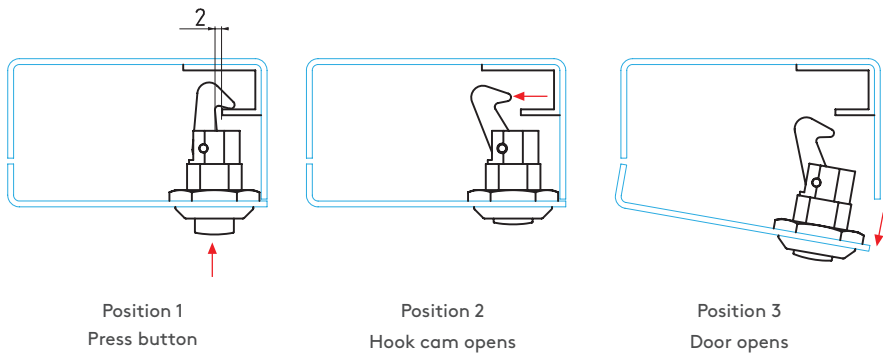
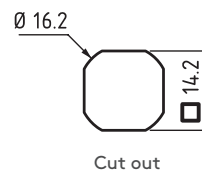
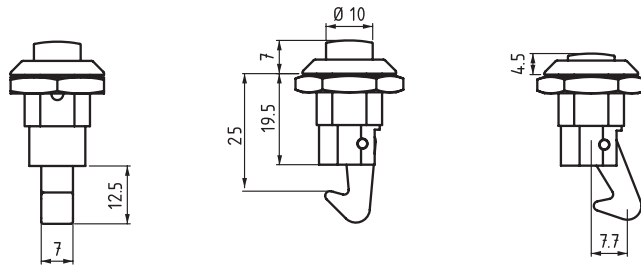
- Easily opened by pressing button
- Suitable for small doors

APPLICATIONS

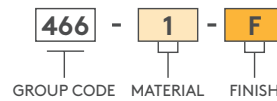
Electric panels, machinery covers

MATERIAL

HOUSING: Zamak DIN-EN 1774-ZnAl4Cu1
 BUTTON: Zamak DIN-EN 1774-ZnAl4Cu1
 CAM: Zamak DIN-EN 1774-ZnAl4Cu1



PRODUCT CODE



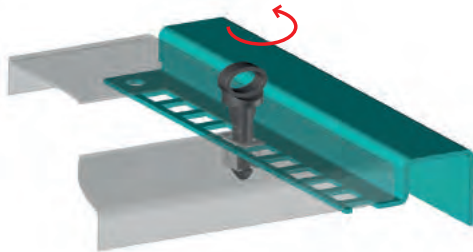
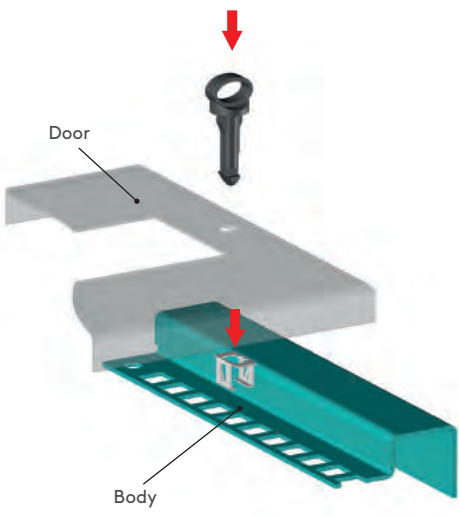
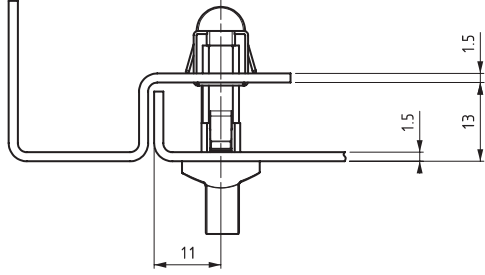
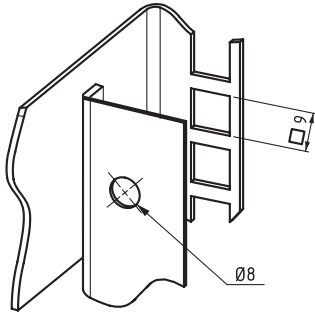
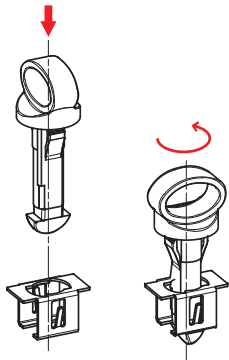
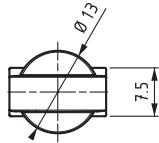
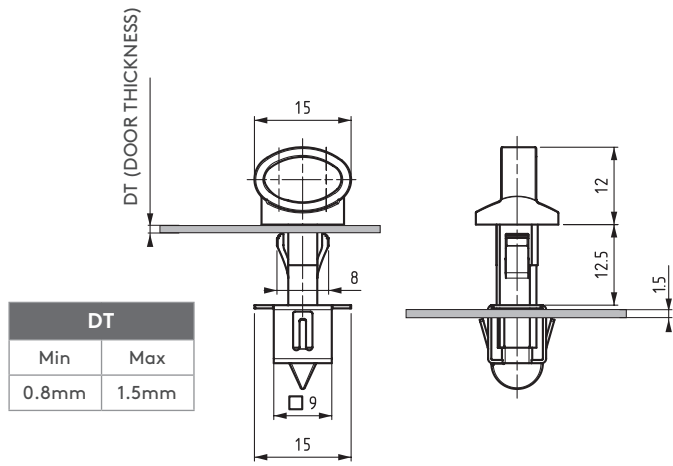
MATERIAL	F	FINISH	F
Zamak	1	Chrome	1
		Black coated	2



183

QUARTER-TURN LOCK

RoHS



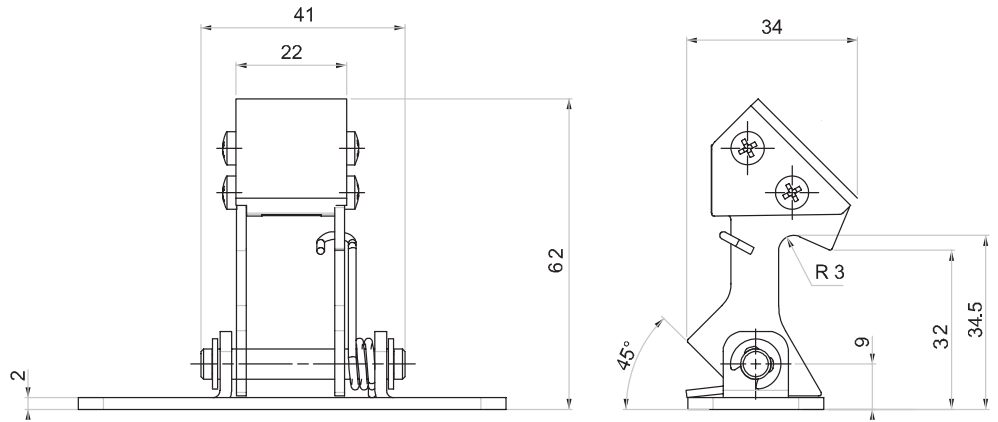
- Fix small panels to frame with ease
- Quarter-turn locking
- Easy assembly
- For doors with a bend of 24 mm

APPLICATIONS
Electric panels

MATERIAL
HANDLE: ABS
FRAME PART: Steel

HOOKED LOCK

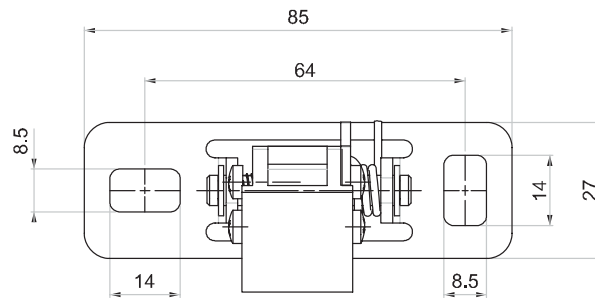
176



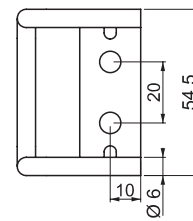
- Used for locking back doors of generators without external lock
- Can open from inside by moving cam

APPLICATIONS
Generators, canopies

MATERIAL
Steel or stainless steel

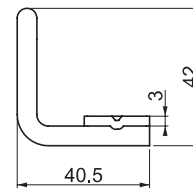


Note: Special square-base screws are included



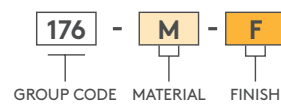
CAM STRIKING PLATE

016 A71



- Striking plate.
- Custom sizes available

PRODUCT CODE



MATERIAL		F	FINISH		F
Steel		6	Chrome		1
Stainless steel		4	No finish		0



LOCKS



CAMS, KEYS, RODS & ROD GUIDES

GROUP CODE	PRODUCT NAME
	CAMS WITH STOPPER
	CAMS WITHOUT STOPPER
	STAINLESS STEEL CAMS
	ADDITIONAL CAMS
	ROUND ROD ACCESSORIES
	FLAT ROD ACCESSORIES
	ROD CORNER CONTROL
	ROUND RODS
	FLAT RODS
	ACTUATOR PLATES
	KEYS



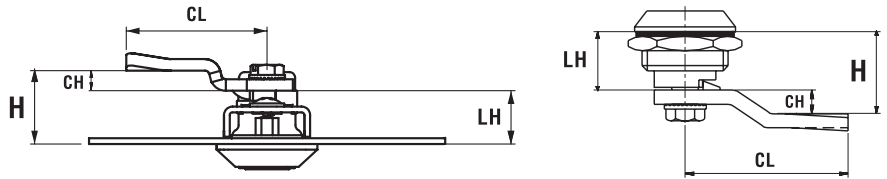
ESSENTRA

PAGE	
144 - 145	
146 - 147	
148	
149	
152	
153 - 155	
155	
150, 156 - 157	
151,- 158, 160 - 161	
159	
162 - 163	



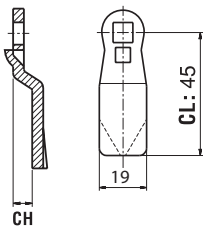
CAMS WITH STOPPERS

H: Grip
 LH: Height of housing
 CL: Cam length
 CH: Cam height



MATERIAL: Steel
 FINISH: Zinc plated
 THICKNESS: 4 mm

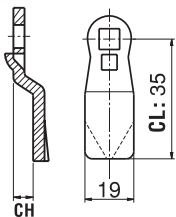
Cam 1



STOCK CODE	CC	CH	CL	LH:18 H	LH:18.5 H	LH:20 H	LH:30 H	LH:32 H	LH:35 H	LH:40 H	LH:50 H	LH:60 H
30403033	30	0	45	18	18.5	20	30	32	35	40	50	60
30403439	17	1	45	19	19.5	21	31	33	36	41	51	61
30403159	35	2	45	20	20.5	22	32	34	37	42	52	62
30403063	31	3	45	21	21.5	23	33	35	38	43	53	63
30403149	33	4	45	22	22.5	24	34	37	39	44	54	64
30403160	34	6	45	24	24.5	26	36	38	41	46	56	66
30403161	36	8	45	26	26.5	28	38	40	43	48	58	68
30403162	47	10	45	28	28.5	30	40	42	45	50	60	70
30403045	44	12	45	30	30.5	32	42	44	47	52	62	72
30403163	48	14	45	32	32.5	34	44	46	49	54	64	74
30403151	49	16	45	34	34.5	36	46	48	51	56	66	76
30403165	55	18	45	36	36.5	38	48	50	53	58	68	78
30403166	56	20	45	38	38.5	40	50	52	55	60	70	80
30403167	57	22	45	40	40.5	42	52	54	57	62	72	82
30403168	58	24	45	42	42.5	44	54	56	59	64	74	84
30403169	37	-2	45	16	16.5	18	28	30	33	38	48	58
30403170	38	-4	45	14	14.5	16	26	28	31	36	46	56
30403171	39	-6	45	12	12.5	14	24	26	29	34	44	54
30403172	59	-8	45	10	10.5	12	22	24	27	32	42	52
30403173	60	-10	45	8	8.5	10	20	22	25	30	40	50
30403174	61	-12	45	6	6.5	8	18	20	23	28	38	48
30403175	62	-14	45	4	4.5	6	16	18	21	26	36	46

MATERIAL: Steel
 FINISH: Zinc plated
 THICKNESS: 4 mm

Cam 2

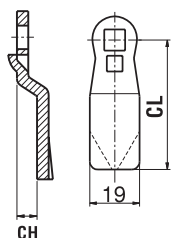


STOCK CODE	CC	CH	CL	LH:18 H	LH:18.5 H	LH:20 H	LH:30 H	LH:32 H	LH:35 H	LH:40 H	LH:50 H	LH:60 H
30403187	11	-2	35	16	16.5	18	28	30	33	38	48	58
30403185	12	0	35	18	18.5	20	30	32	35	40	50	60
30403186	13	2	35	20	20.5	22	32	34	37	42	52	62
30403188	14	4	35	22	22.5	24	34	36	39	44	54	64
30403470	15	6	35	24	24.5	26	36	38	41	46	56	66
30403471	16	7	35	25	25.5	27	37	39	42	47	57	67
30403189	23	10	35	28	28.5	30	40	42	45	50	60	70
30403046	52	26	35	44	44.5	46	56	58	61	66	76	86

CAMS WITH STOPPERS

MATERIAL: Steel
FINISH: Zinc plated
THICKNESS: 4 mm

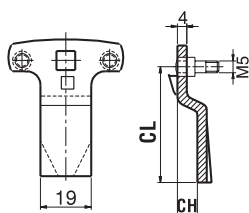
Cam 3



STOCK CODE	CC	CH	CL	LH:18 H	LH:18.5 H	LH:20 H	LH:30 H	LH:32 H	LH:35 H	LH:40 H	LH:50 H	LH:60 H
30403031	10	0	29	18	18.5	20	30	32	35	40	50	60
30403032	20	0	38	18	18.5	20	30	32	35	40	50	60
30403036	70	0	66	18	18.5	20	30	32	35	40	50	60
30403034	40	0	51	18	18.5	20	30	32	35	40	50	60
30403037	21	3	38	21	21.5	23	33	32	38	43	53	63
30403038	41	3	51	21	21.5	23	33	35	38	43	53	63
30403129	22	6	37	24	24.5	26	36	38	41	46	56	66
30403039	32	7	44	25	25.5	27	37	39	42	47	57	67
30403040	42	7	49	25	25.5	27	37	39	42	47	57	67
30403043	43	10	48	28	28.5	30	40	42	45	50	60	70

MATERIAL: Steel
FINISH: Zinc plated
THICKNESS: 4 mm

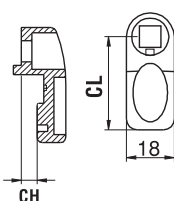
Cam 4



STOCK CODE	CC	CH	CL	LH:18 H	LH:18.5 H	LH:20 H	LH:30 H	LH:32 H	LH:35 H	LH:40 H	LH:50 H	LH:60 H
30403140	03	0	51	18	18.5	20	30	32	35	40	50	60
30403522	06	0	45	18	18.5	20	30	32	35	40	50	60
30403047	01	7	49	25	25.5	27	37	39	42	47	57	67
30403524	07	2	45	20	20.5	22	32	34	37	42	52	62
30403526	08	3	45	21	21.5	23	33	35	38	43	53	63
30403528	09	4	45	22	22.5	24	34	36	39	44	54	64
30403530	100	5	45	23	23.5	25	35	37	40	45	55	65
30403532	101	6	45	24	24.5	26	36	38	41	46	56	66
30403534	102	7	45	25	25.5	27	37	39	42	47	57	67
30403147	02	12	46	30	30.5	32	42	44	47	52	62	72
30403536	103	14	45	32	32.5	34	44	46	49	54	64	74

MATERIAL: Plastic

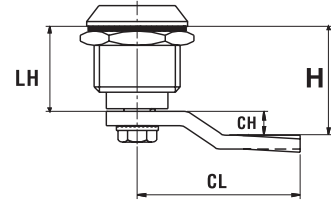
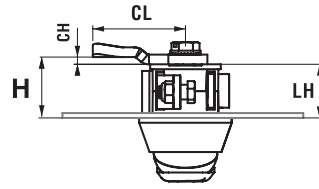
Cam 5



STOCK CODE	CC	CH	CL	LH:18 H	LH:18.5 H	LH:20 H	LH:30 H	LH:35 H	LH:40 H	LH:50 H	LH:60 H
30402004	90	0	35	18	18.5	20	30	35	40	50	60
30402011	93	0	25	18	18.5	20	30	35	40	50	60
30402005	91	6	35	24	24.5	26	36	41	46	56	66
30402008	92	4	45	22	22.5	24	34	39	44	54	64
30402013	94	-4	45	14	14.5	16	26	31	36	46	56

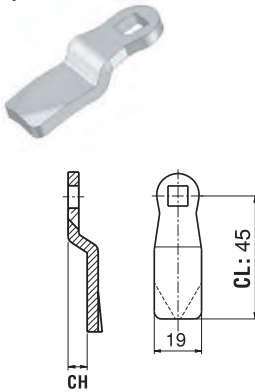
CAMS WITHOUT STOPPERS

H: Grip
 LH: Height of housing
 CL: Cam length
 CH: Cam height



MATERIAL: Steel
 FINISH: Zinc plated
 THICKNESS: 4 mm

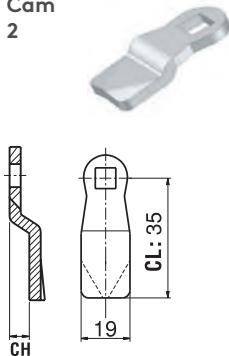
Cam 1



STOCK CODE	CC	CH	CL	LH:18.5 H	LH : 20 H	LH : 25 H	LH : 32 H
30403117	30	0	45	18.5	20	25	32
30403557	17	1	45	19.5	21	26	33
30403581	35	2	45	20.5	22	27	34
30403054	31	3	45	21.5	23	28	35
30403197	33	4	45	22.5	24	29	36
30403128	34	6	45	24.5	26	31	38
30403583	36	8	45	26.5	28	33	40
30403584	47	10	45	28.5	30	35	42
30403123	44	12	45	30.5	32	37	44
30403422	48	14	45	32.5	34	39	46
30403410	49	16	45	34.5	36	41	48
30403429	55	18	45	36.5	38	43	50
30403585	56	20	45	38.5	40	45	52
30403586	57	22	45	40.5	42	47	54
30403411	58	24	45	42.5	44	49	56
30403425	37	-2	45	16.5	18	23	30
30403198	38	-4	45	14.5	16	21	28
30403423	39	-6	45	12.5	14	19	26
30403412	59	-8	45	10.5	12	17	24
30403552	60	-10	45	8.5	10	15	22
30403587	61	-12	45	6.5	8	13	20
30403420	62	-14	45	4.5	6	11	18

MATERIAL: Steel
 FINISH: Zinc plated
 THICKNESS: 4 mm

Cam 2

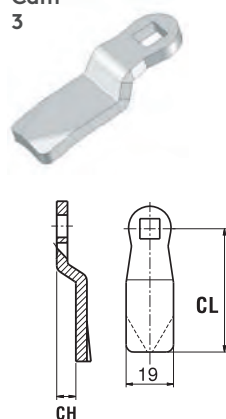


STOCK CODE	CC	CH	CL	LH:18.5 H	LH : 20 H	LH : 25 H	LH : 32 H
30403069	11	-2	35	16.5	18	23	30
30403444	12	0	35	18.5	20	25	32
30403519	13	2	35	20.5	22	27	34
30403588	14	4	35	22.5	24	29	36
30403477	15	6	35	24.5	26	31	38
30403589	16	7	35	25.5	27	32	39
30403407	23	10	35	28.5	30	35	42
30403075	52	26	35	44.5	46	51	58

CAMS WITHOUT STOPPERS

MATERIAL: Steel
FINISH: Zinc plated
THICKNESS: 4 mm

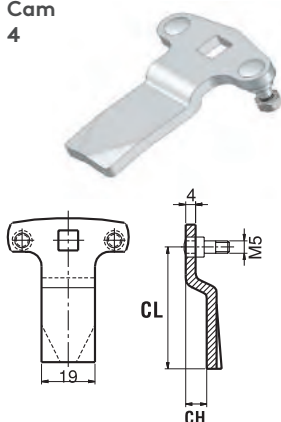
Cam
3



STOCK CODE	CC	CH	CL	LH:18.5 H	LH : 20 H	LH : 25 H	LH : 32 H
30403006	10	0	29	18.5	20	25	32
30403130	20	0	38	18.5	20	25	32
30403117	30	0	45	18.5	20	25	32
30403003	40	0	51	18.5	20	25	32
30403005	70	0	66	18.5	20	25	32
30403064	21	3	38	21.5	23	28	35
30403054	31	3	45	21.5	23	28	35
30403141	41	3	51	21.5	23	28	35
30403138	22	6	37	24.5	26	31	38
30403128	34	6	45	24.5	26	31	38
30403073	32	7	44	25.5	27	32	39
30403002	42	7	49	25.5	27	32	39
30403004	43	10	48	28.5	30	35	42
30403123	44	12	45	30.5	32	37	44

MATERIAL: Steel
FINISH: Zinc plated
THICKNESS: 4 mm

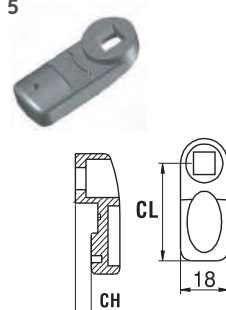
Cam
4



STOCK CODE	CC	CH	CL	LH:18.5 H
30403135	03	0	51	18.5
30403523	06	0	45	18.5
30403001	01	7	49	25.5
30403525	07	2	45	20.5
30403527	08	3	45	21.5
30403529	09	4	45	22.5
30403531	100	5	45	23.5
30403533	101	6	45	24.5
30403535	102	7	45	25.5
30403068	02	12	46	30.5
30403537	103	14	45	32.5

MATERIAL: Plastic

Cam
5

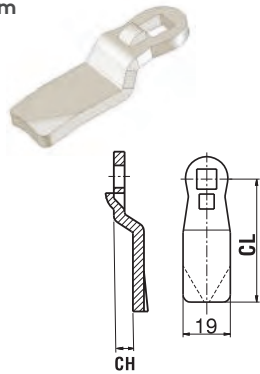


STOCK CODE	CC	CH	CL	LH:18.5 H	LH: 20 H	LH: 25 H
30402002	90	0	35	18.5	20	25
30402010	93	0	25	18.5	20	25
30402007	92	4	45	22.5	24	29
30402003	91	6	35	24.5	26	31
30402014	94	-4	45	14.5	16	21

STAINLESS STEEL CAMS

WITH STOPPER

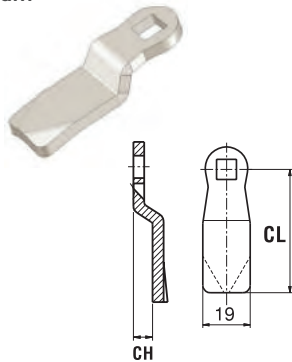
Cam 1



STOCK CODE	CC	CH	CL	LH:18 H	LH:18.5 H	LH:20 H	LH:30 H	LH:30 H	LH:40 H	LH:50 H	LH:60 H
30405004	30	0	45	18	18.5	20	30	32	40	50	60
30405003	40	0	51	18	18.5	20	30	32	40	50	60
30405159	35	2	45	20	20.5	22	32	34	42	52	62
30405063	31	3	45	21	21.5	23	33	35	43	53	63
30405149	33	4	45	22	22.5	24	34	36	44	54	64
30405160	34	6	45	24	24.5	20	36	38	46	56	66
30405040	42	7	49	25	25.5	27	37	39	47	57	67
30405006	36	8	45	26	26.5	28	38	41	48	58	68
30405162	47	10	45	28	28.5	30	40	42	50	60	70
30405045	44	12	45	30	30.5	42	42	44	52	72	72

WITHOUT STOPPER

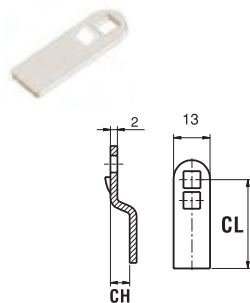
Cam 2



STOCK CODE	CC	CH	CL	LH:18.5 H	LH:20 H	LH:25 H	LH:32 H
30405117	30	0	45	18.5	20	25	32
30405058	40	0	51	18.5	20	25	32
30405012	35	2	45	20.5	22	27	34
30405013	31	3	45	21.5	23	28	35
30405015	34	4	45	22.5	24	29	36
30405002	42	7	49	25.5	27	32	39
30405016	36	8	45	26.5	28	33	40
30405017	47	10	45	28.5	30	35	42
30405018	44	12	45	30.5	32	37	44

WITH STOPPER

Cam 3



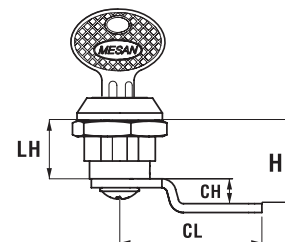
STOCK CODE	CC	CH	CL	LH:13.5 H
30405084	10	0	33	13.5
30405085	11	7	30	20.5
30405184	20	0	25	13.5
30405196	22	-6	25	7.5

ADDITIONAL CAMS

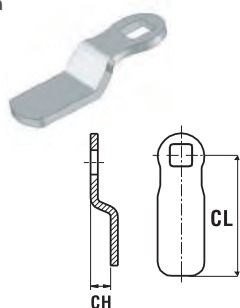
LOCKS

H: Grip
LH: Height of housing
CL: Cam length
CH: Cam height

GROUP CODE	050	150	250	072	066	166	057	055	165
LH	16.5 20 25 30	20	20	29	13.5	13.5	13.5	20 32	16
CAM	1-2	1	1	1	3	3	4	1	3

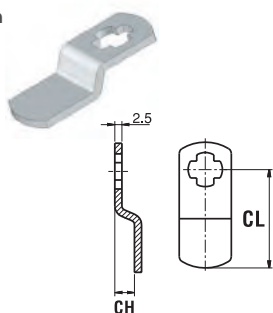


Cam 1

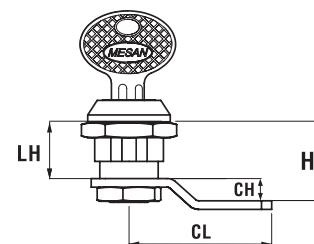


STOCK CODE	CC	CH	CL	LH:16.5 H	LH:20 H	LH:25 H	LH:29 H	LH:30 H	LH:32 H
30403124	50	0	43	16.5	20	25	29	30	32
31403010	56	0	23	16.5	20	25	29	30	32
31403011	30	0	33	16.5	20	25	29	30	32
30403157	57	3	48	19.5	23	28	32	33	35
30403125	51	7	40	23.5	27	32	36	37	39
30403110	52	10	37	26.5	30	35	39	40	42
30403111	53	14	33	30.5	34	39	43	44	46

Cam 2

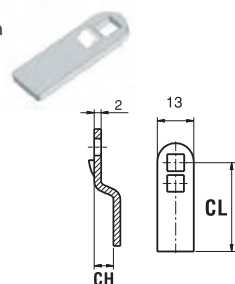


STOCK CODE	CC	CH	CL	LH:16.5 H
30403014	10	0	38	16.5
30403100	30	0	33	16.5
30403019	20	0	49	16.5
30403082	11	3	38	19.5
30403015	12	7	36	23.5
30403016	21	7	47	23.5
30403017	22	10	44	26.5
30403022	13	0	39	16.5

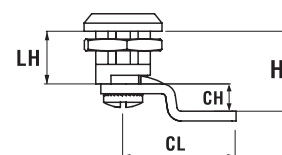


Hook cam (CC: 13)

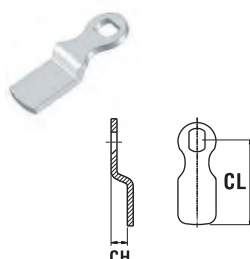
Cam 3



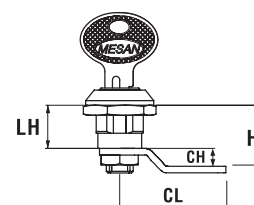
STOCK CODE	CC	CH	CL	LH:13.5 H	LH:16 H
30403084	10	0	33	13.5	16
30403184	20	0	25	13.5	16
30403183	21	6	25	19.5	22
30403085	11	7	30	20.5	23
30403196	22	-6	25	7.5	10



Cam 4



STOCK CODE	CC	CH	CL	LH:13 H
30403158	10	0	24	13
31403016	50	0	21	13
30403029	20	0	31	13
30403028	30	0	36	13
30403089	21	3	30	16
30403030	22	7	26	20
30403182	11	-3	28	10
30403058	40	0	31	13

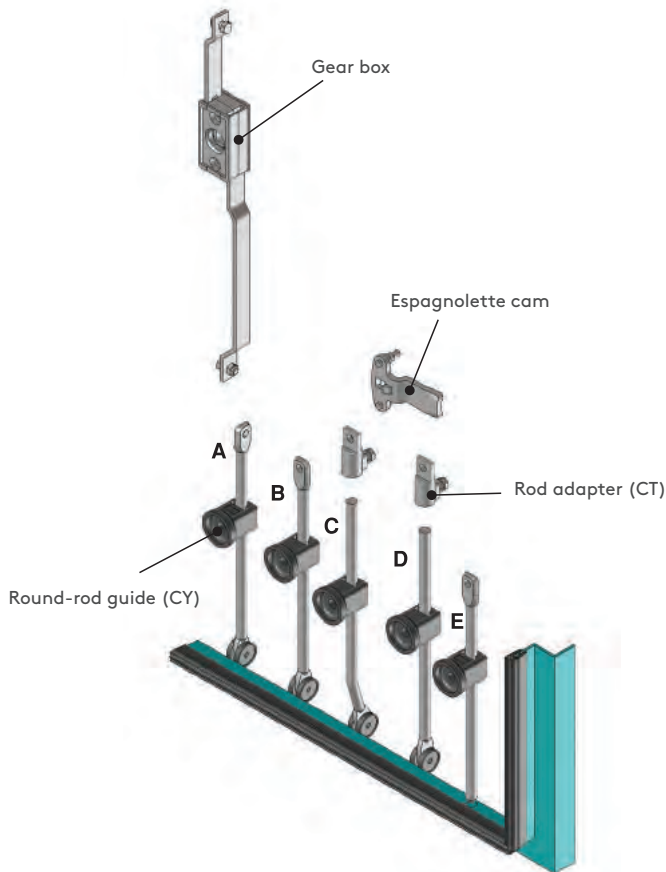


Hook cam (CC: 40)

Espagnolette round and flat rod applications and accessories

IC

▶ **ROUND-ROD APPLICATIONS**



Inside the gasketing applications

A - IC.4.L: Suitable for the gear-box applications. Rod adapter can not be used.

B - IC.3.L: Suitable for the espagnolette-cam applications. Rod adapter can not be used.

C - IC.6.L: Suitable for both gear-box and espagnolette-cam applications. Rod adapter can be used.

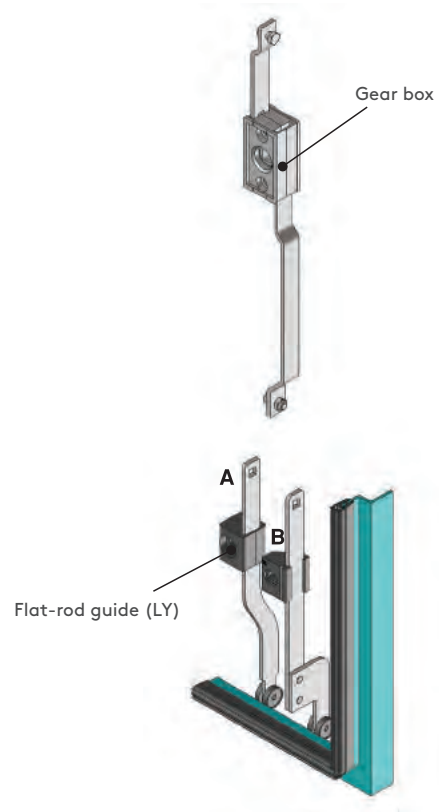
D- IC.2.L: Suitable for both gear-box and espagnolette-cam applications. Rod adapter can be used.

E- IC.1.L: Suitable for both gear-box and espagnolette-cam applications. Rod adapter can not be used. Alternative locking achievable with locking hole.

- Different rod-lengths are available. Please check the next pages
- Round-rod guide must be used for all applications. Please check the accessory pages

IL

▶ **FLAT-ROD APPLICATIONS**



Inside the gasketing applications

A - IL.1.h.1020: Suitable for the gear box applications. Two height (h) alternatives are available.

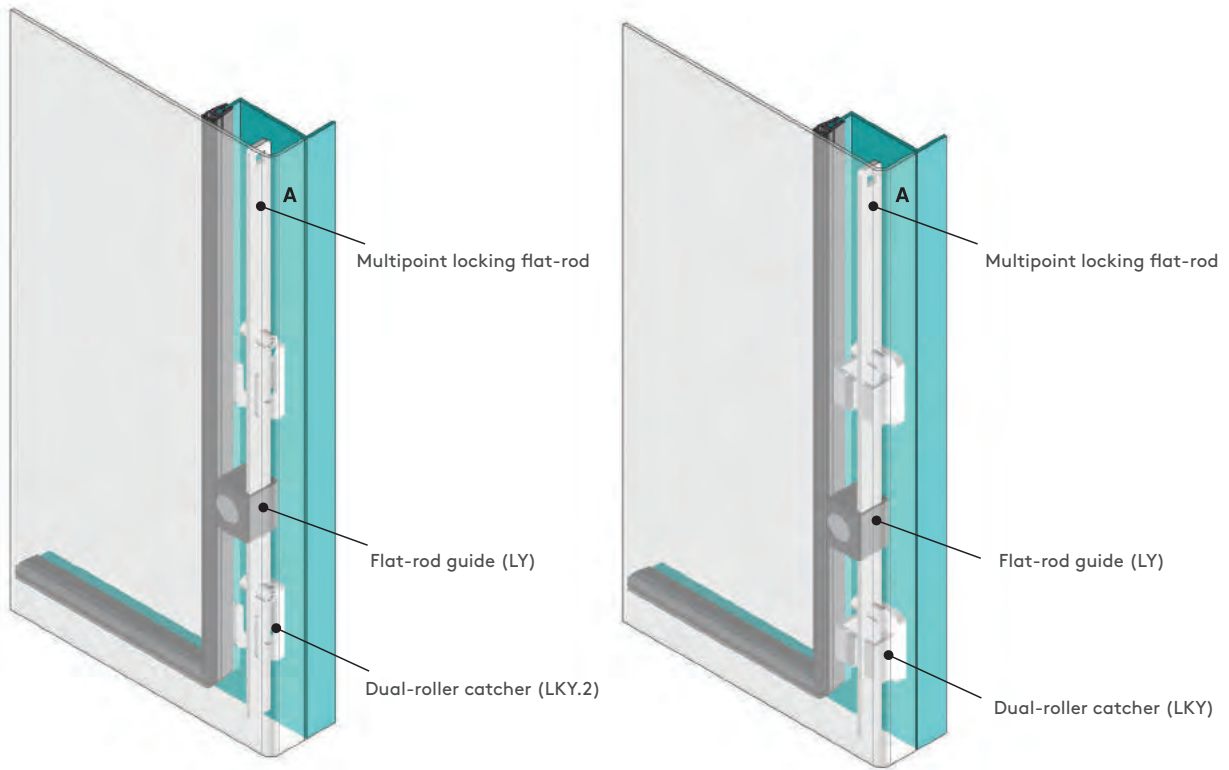
B - IL.2.h.1020 Suitable for the gear-box applications. Four height (h) alternatives are available.

- Flat-rod guide must be used for all espagnolette flat-rod applications. Please check the accessory pages
- Standard flat-rod length is 1020mm

Flat rod applications for multipoint locking and accessories.

ILP

► MULTIPOINT LOCKING FLAT-ROD APPLICATIONS



Outside the gasketing applications

A - ILP.1.575 Suitable for out-of-gasket locks

- Flat-rod guide and dual-roller catcher must be used for all espagnolette flat-rod applications. Please check the accessory pages

▶ ROUND-ROD ACCESSORIES

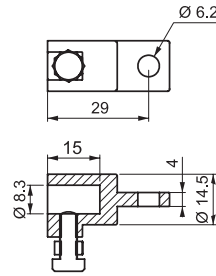
ROD ADAPTER

CT



MATERIAL
Zamak DIN-EN 1774-ZnAl4Cu1

FINISH
Zinc plated



ROD ADAPTER

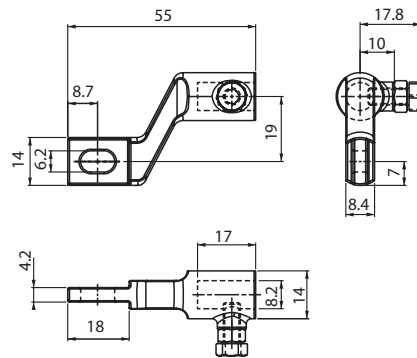
CT.2



- For horizontal application

MATERIAL
Zamak DIN-EN 1774-ZnAl4Cu1

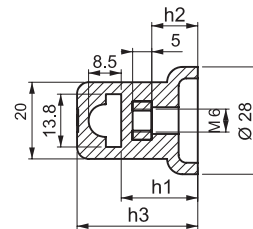
FINISH
Zinc plated



ROUND-ROD GUIDE



MATERIAL
Polyamide PA6 GFR 30



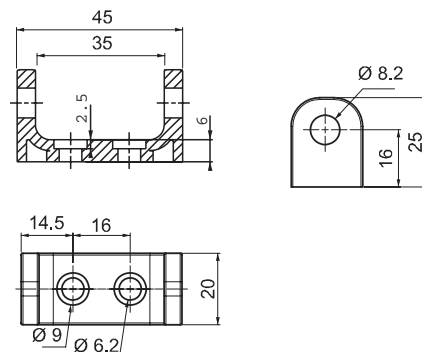
H1	H2	H3	FIXING SCREW	PRODUCT CODE
20	12	32	M6 X 16	CY.1.20
24	16	36	M6 X 20	CY.1.24
26	18	38	M6 X 22	CY.1.26

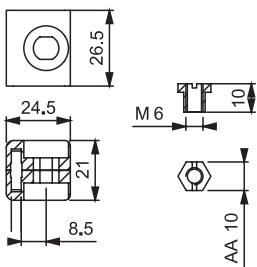


CY.2



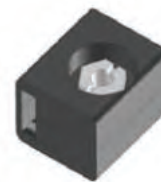
MATERIAL
Delrin



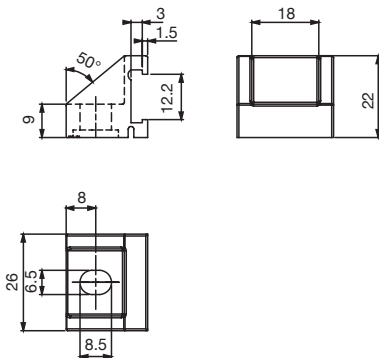


LY

FLAT ROD GUIDE

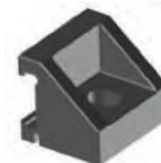


MATERIAL
 BODY: Polyamide PA6 GFR 30
 NUT: Steel

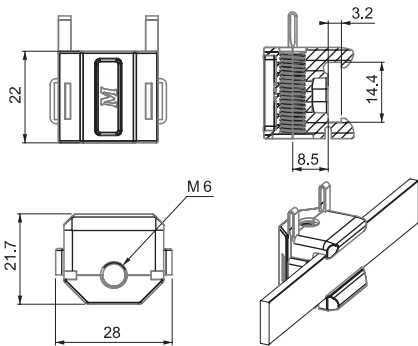


LY.2

FLAT-ROD GUIDE



MATERIAL
 Polyamide PA6 GFR 30

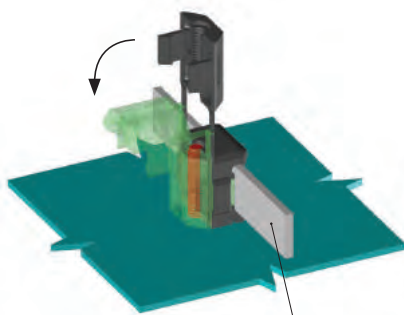


LY.3

FLAT ROD GUIDE (Easy fixing)



MATERIAL
 Polyamide PA6 GFR 30



FLAT ROD

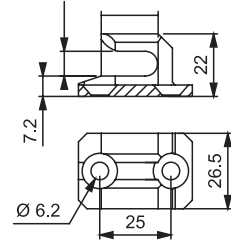
DUAL - ROLLER CATCHER

LKY



MATERIAL
Zamak DIN-EN 1774-ZnAl4Cu1

FINISH
Zinc Plated



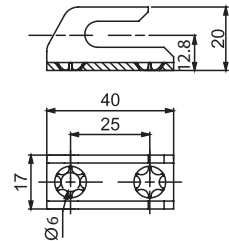
DUAL - ROLLER CATCHER

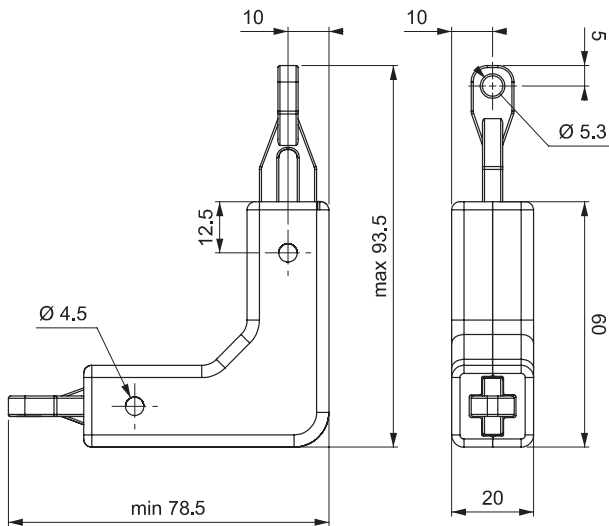
LKY.2



MATERIAL
Steel

FINISH
Zinc plated





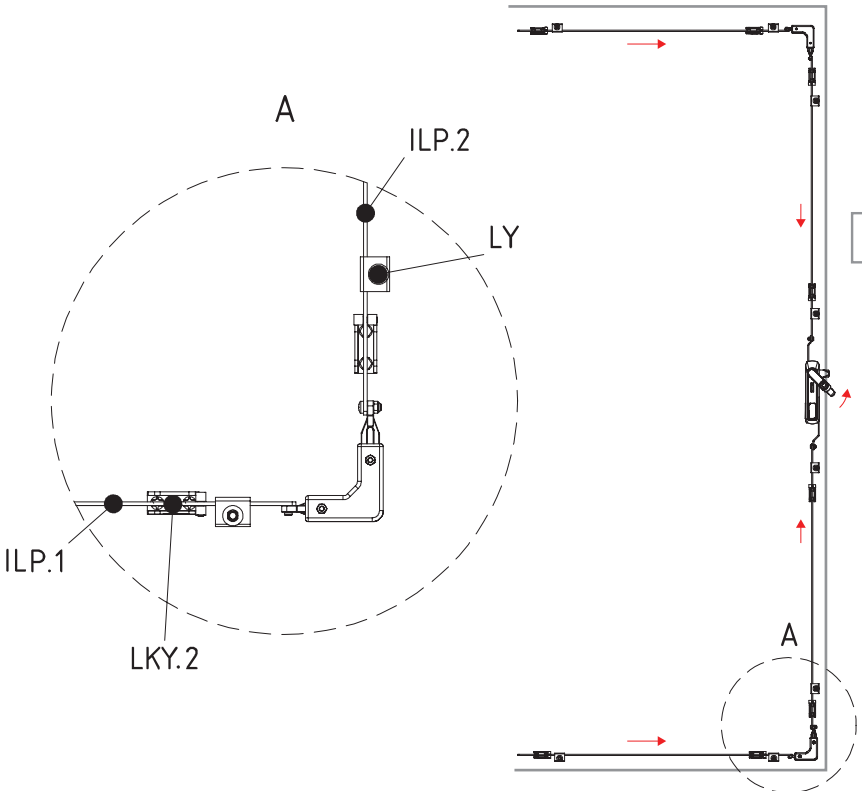
RCC

ROD CORNER CONTROL



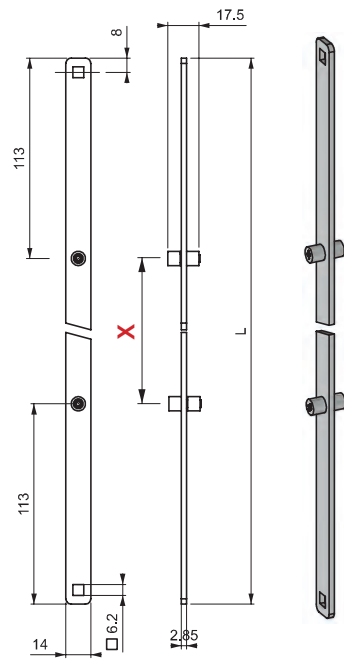
- Used to convert the vertical movement of the flat rods to horizontal movement
- 8 point locking is possible for security reasons

MATERIAL
 BODY: Polyamide PA6 GFR 30
 RODS: Zamak DIN-EN 1774-ZnAl4Cu1



ILP

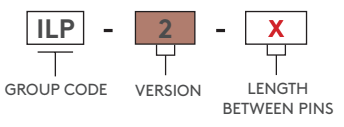
MULTIPOINT LOCKING FLAT ROD



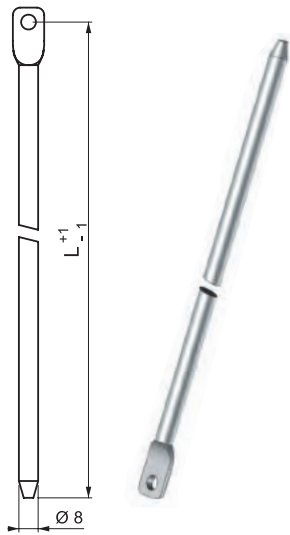
MATERIAL
 Steel

FINISH
 Zinc Plated

PRODUCT CODE



Please specify for different 'X' length



V : 1

L mm	PRODUCT CODE
400	IC 1-400
500	IC 1-500
600	IC 1-600
700	IC 1-700
800	IC 1-800
900	IC 1-900
1000	IC 1-1000

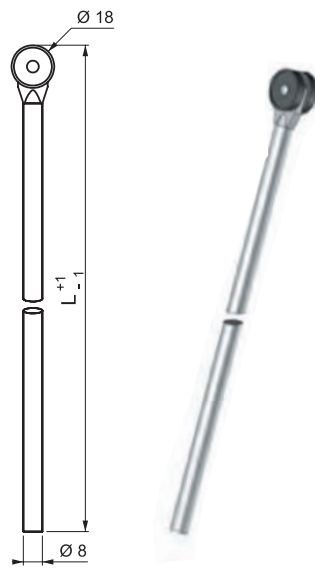
Application:

- With gear-box locks
- Locks with three-point cam



Accessories:

- Round-rod guide (CY)



V : 2

L mm	PRODUCT CODE
400	IC 2-400
500	IC 2-500
600	IC 2-600
700	IC 2-700
800	IC 2-800
900	IC 2-900
1000	IC 2-1000

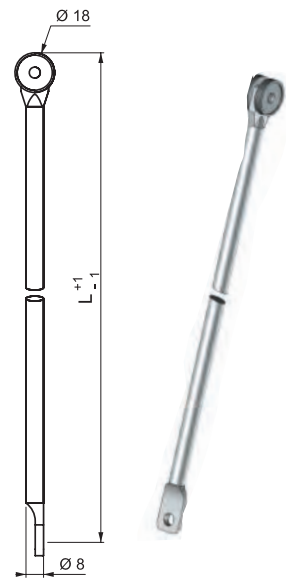
Application:

- With gear-box locks
- Locks with three-point cam



Accessories:

- Round-rod guide (CY)
- Rod adapter (CT)



V : 3

L mm	PRODUCT CODE
400	IC 3-400
500	IC 3-500
600	IC 3-600
700	IC 3-700
800	IC 3-800
900	IC 3-900
1000	IC 3-1000

Application:

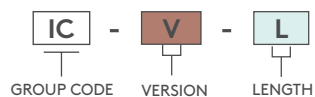
- Locks with three-point cam



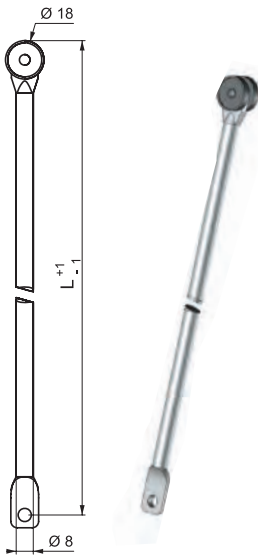
Accessories:

- Round-rod guide (CY)
- Stainless steel version: page 430

PRODUCT CODE



For different 'L' lengths, please contact Essentra



V : 4

L mm	PRODUCT CODE
400	IC 4-400
500	IC 4-500
600	IC 4-600
700	IC 4-700
800	IC 4-800
900	IC 4-900
1000	IC 4-1000

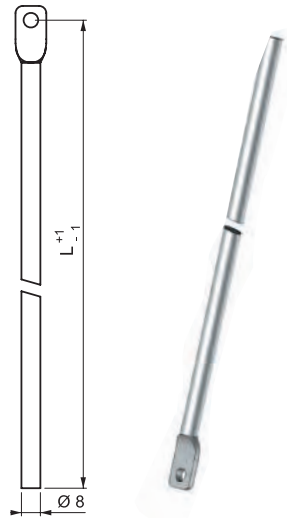
Application:

- With gearbox locks



Accessories:

- Round-rod guide (CY)



V : 5

L mm	PRODUCT CODE
400	IC 5-400
500	IC 5-500
600	IC 5-600
700	IC 5-700
800	IC 5-800
900	IC 5-900
1000	IC 5-1000

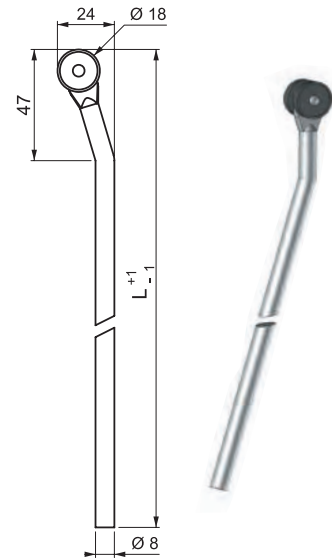
Application:

- With gear-box locks
- Locks with three-point cam



Accessories:

- Round-rod guide (CY)



V : 6

L MM	PRODUCT CODE
400	IC 6-400
500	IC 6-500
600	IC 6-600
700	IC 6-700
800	IC 6-800
900	IC 6-900
1000	IC 6-1000

Application:

- With gear-box locks
- Locks with three-point cam

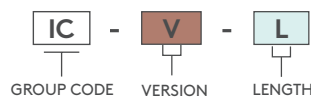


Accessories:

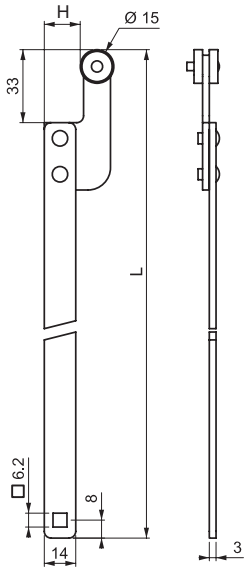
- Round-rod guide (CY)
- Rod adapter (CT)

- Stainless steel version: page 430

PRODUCT CODE



For different 'L' lengths, please contact Essentra



V :1

H mm	L mm	PRODUCT CODE
27	1020	IL 1-27-1020
13	1020	IL 1-13-1020

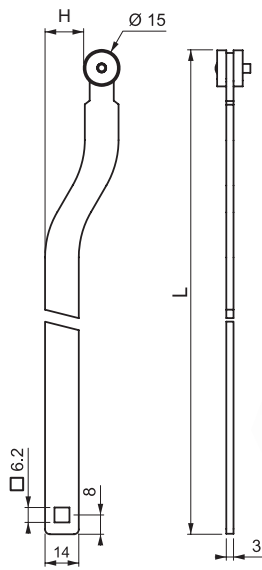
Application:

- With gear-box locks



Accessories:

- Flat-rod guide (LY)



V :2

H mm	L mm	PRODUCT CODE
21	1020	IL 2-21-1020
16	1020	IL 2-16-1020

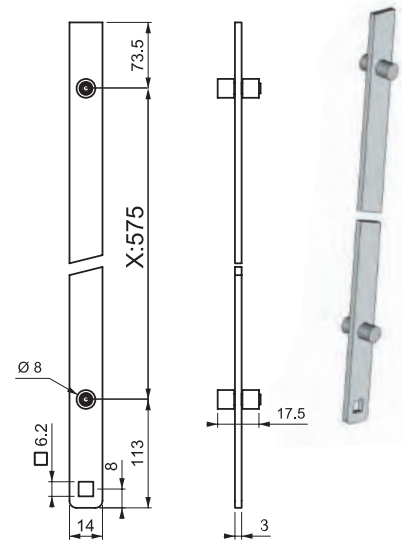
Application:

- With gear-box locks



Accessories:

- Flat-rod guide (LY)



V :3

X mm	PRODUCT CODE
575	ILP 1-575

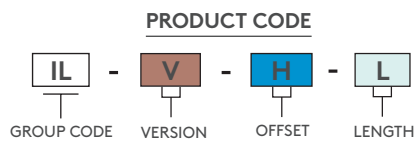
Application:

- With gear-box locks

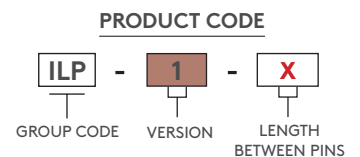


Accessories:

- Flat-rod guide (LY)
- Dual-roller catcher (LKY)
- Stainless steel version: page 431



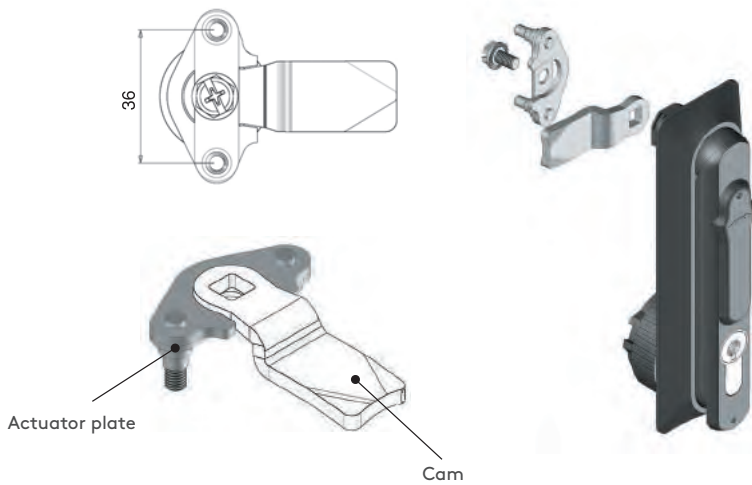
For different 'L' lengths, please contact Essentra Components



Please specify for different 'X' length



ACTUATOR PLATE



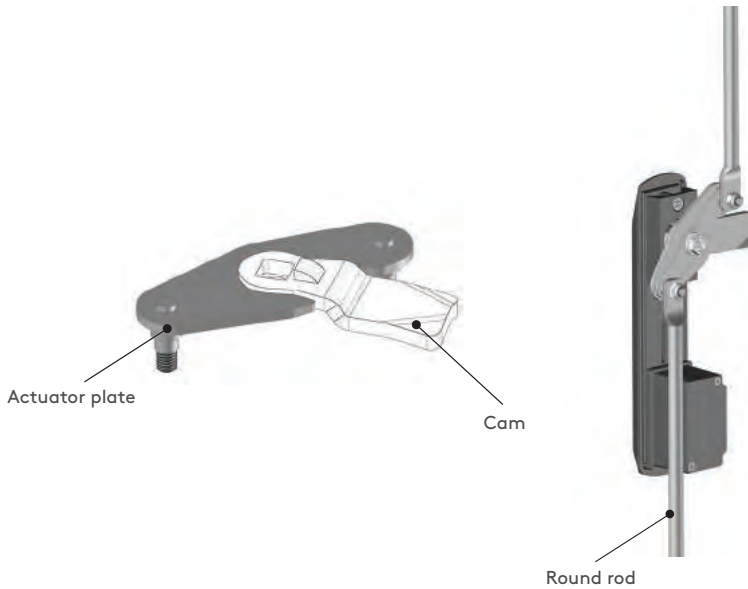
30403499



- Three-point locking actuator plate

MATERIAL
Steel
FINISH
Zinc plated

ACTUATOR PLATE



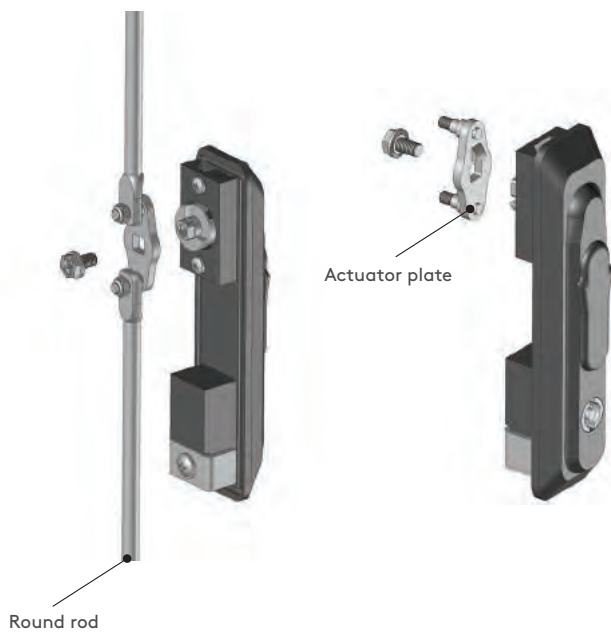
30403563

30403632



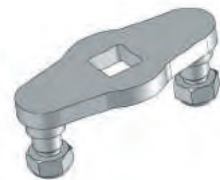
⚠ Note: This plate is used for 501 swing handle (p.20)

ACTUATOR PLATE

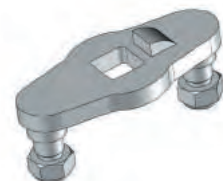


30403496

30403495



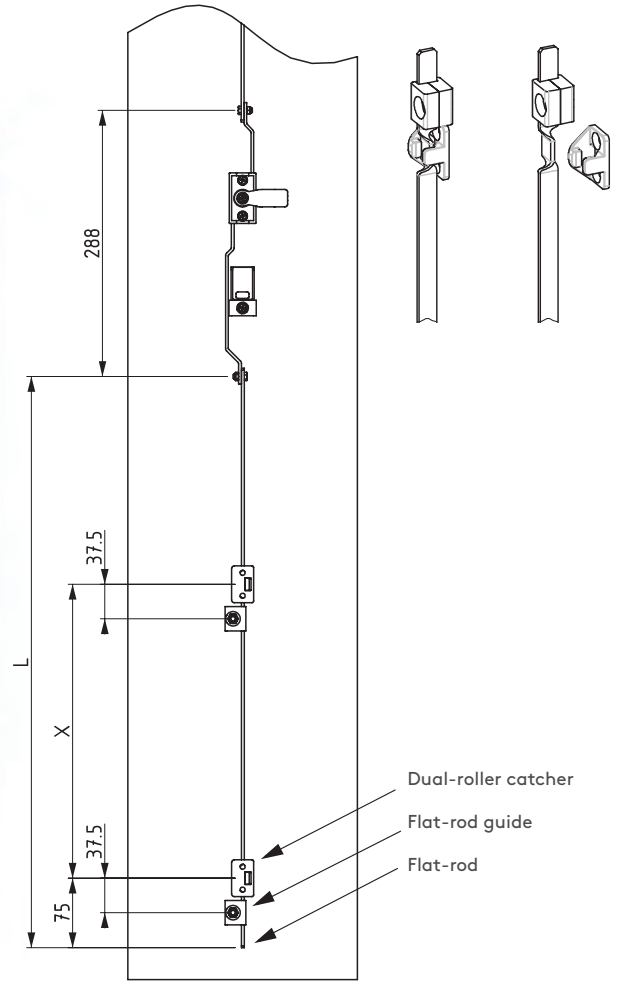
- 2-point locking actuator plate without stop lip.



- 22-point locking actuator plate with stop lip.

MATERIAL
Steel
FINISH
Zinc plated

FLAT ROD



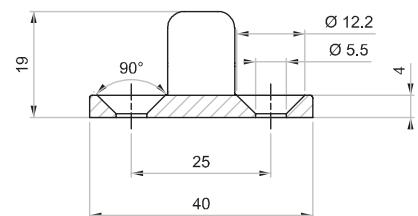
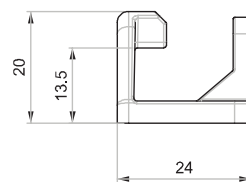
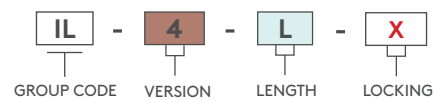
MATERIAL
Steel

FINISH
Zinc plated

DUAL-ROLLER CATCHER

LKY.3

PRODUCT CODE

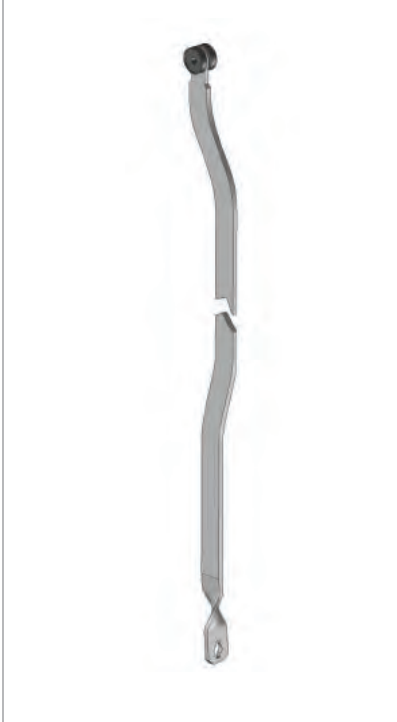
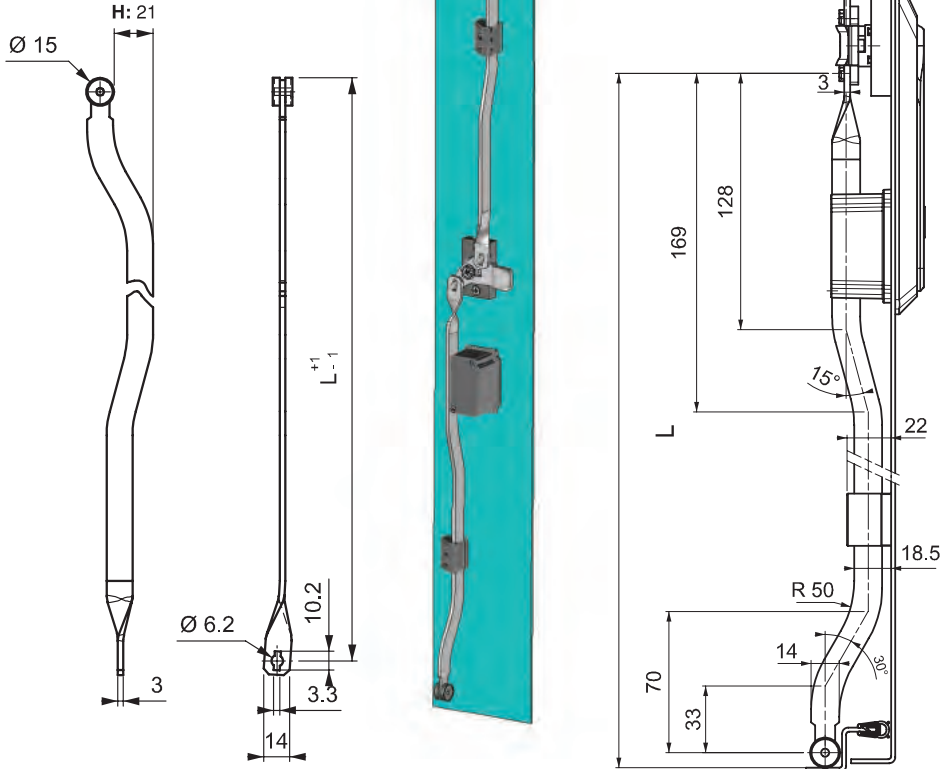


MATERIAL
Zamak DIN-EN 1774-ZnAl4Cu1

FINISH
Zinc plated



FLAT ROD

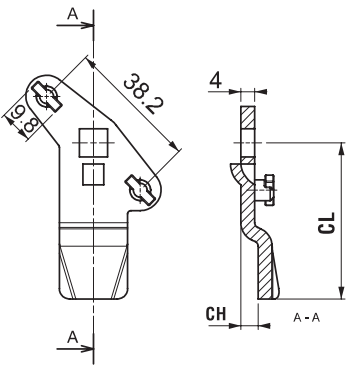


• T-shape rivets on cam provide easy assembly of rods.

MATERIAL
Steel
FINISH
Zinc plated



3-POINT CAM

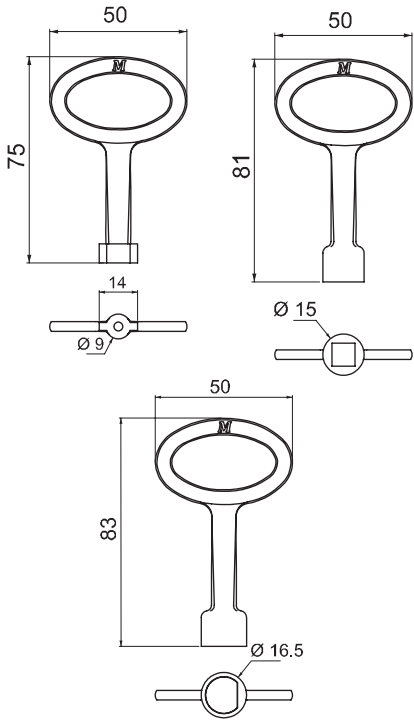


STOCK CODE	CH	CL
34003591	5	45
34003592	20	45



METAL KEY LONG

368



MATERIAL
Zamak DIN-EN 1774-ZnAl4Cu1

FINISH
Chrome plated



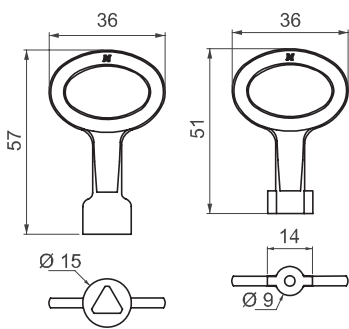
368-13 3 mm Double bit **368-15** 5 mm Double bit **368-26** 6 mm Square **368-27** 7 mm Square **368-28** 8 mm Square



368-37 7 mm Triangular **368-38** 8 mm Triangular **368-39** 9 mm Triangular **368-91** Eastern **368-68** 8 mm Hexagon High security

METAL KEY SHORT

267



MATERIAL
Zamak DIN-EN 1774-ZnAl4Cu1

FINISH
Chrome plated



267-13 3 mm Double bit **267-15** 5 mm Double bit **267-26** 6 mm Square **267-27** 7 mm Square **267-28** 8 mm Square




267-37 7 mm Triangular **267-38** 8 mm Triangular **267-39** 9 mm Triangular

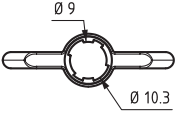
<p>Plastic</p>   <p>169.66 6 mm Hexagon</p>	<p>Plastic</p>   <p>169.15 5 mm Double bit</p>	<p>Plastic</p>   <p>169.39 9 mm Triangular</p>	<p>Plastic</p>   <p>269.15 5 mm Double bit</p>
--	---	---	--

Metal





568.1.3
Multiple key

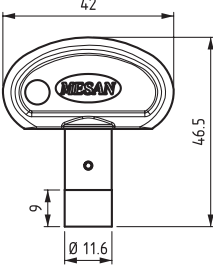
 **Not:** Suitable for 040 compression lock




Metal

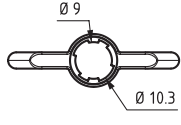



Tubular key





Chrome plated: 369.1.1
Black coated : 369.1.2

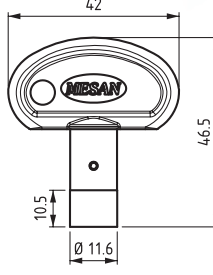
 **Not:** Suitable for 140 compression lock



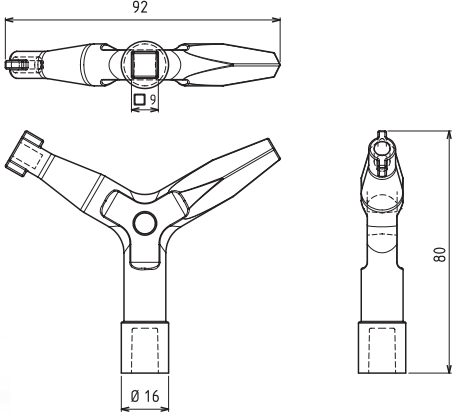
Metal

Tubular key



Chrome plated: 469.1.1
Black coated : 469.1.2

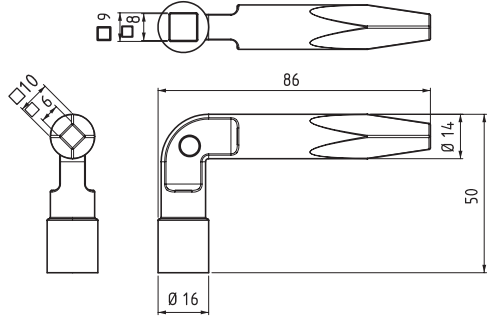


Double bit, Square, Railway

Metal



569.1.3
Railway key



Square, Railway



LOCKS



QUARTER-TURN LOCKS

GROUP CODE	PRODUCT NAME
360	QUARTER TURN – SPRING LOADED
060	QUARTER TURN – SPRING LOADED
560	QUARTER TURN – EASY FIXING
660	QUARTER TURN – EASY FIXING
062	QUARTER TURN – WING KNOB
362	QUARTER TURN – WING KNOB
562	PADLOCKABLE – WING KNOB
262	PADLOCKABLE – WING KNOB
361	SECURE QUARTER TURN
461	SECURE QUARTER TURN
760	QUARTER TURN – SPRING LOADED
561	KNOB LOCK (plastic)
161	KNOB LOCK (plastic)
261	KNOB LOCK (plastic)
160	QUARTER TURN – SPRING CAM
260	QUARTER TURN – PADLOCKABLE
162	PACO LOCK
060 AX	ACCESSORIES
064	STEPPED COVER LOCK
064	QUARTER TURN – SPRING LOADED
064	QUARTER TURN – WING KNOB
040	COMPRESSION LOCK
140	MINI COMPRESSION LOCK
045	COMPRESSION – SPRING LATCH
366	MINI QUARTER TURN – EASY FIXING
566	MINI QUARTER TURN – EASY FIXING
066	MINI QUARTER TURN – SPRING LOADED
266	MINI QUARTER TURN – SPRING LOADED
166	MINI QUARTER TURN – WING KNOB
050	CAM LOCK – BALL
055	PADLOCKABLE – KNOB
350	QUARTER TURN LOCK
203	QUARTER TURN WING KNOB
103	QUARTER TURN LOCK
203	QUARTER TURN LOCK



ESSENTRA

PAGE	
168	
169	
170	
171	
172	
173	
174	
175	
176	
177	
178	
179	
180	
181	
182	
183	
184	
185 - 187	
190	
191	
192 - 193	
194 - 195	
196	
197	
200	
201	
202	
203	
204	
205	
206 - 207	
208	
209	
210	
211	





▶ QUARTER-TURN LOCKS


M	F	
1	1	Zamak /chrome plated
1	2	Zamak /black coated
2	0	Polyamide /No finish


M MATERIAL **F** FINISH **DD** DRIVER CODE


DRIVERS


3 mm Double bit		M	F	Stock code
DD		1	1	30101127
		1	2	30101126
		2	0	30102012

5 mm Double bit		M	F	Stock code
DD		1	1	30101099
		1	2	30101125
		2	0	30102001


8 mm Square		M	F	Stock code
DD		1	1	30101113
		1	2	30101065
		2	0	30102011


6 mm Square		M	F	Stock code
DD		1	1	30101058
		1	2	30101139
		2	0	30102009


7 mm Square		M	F	Stock code
DD		1	1	30101039
		1	2	30101138
		2	0	30102010


9 mm Triangular		M	F	Stock code
DD		1	1	30101066
		1	2	30101140
		2	0	30102007


7 mm Triangular		M	F	Stock code
DD		1	1	30101124
		1	2	30101120
		2	0	30102008

8 mm Triangular		M	F	Stock code
DD		1	1	30101114
		1	2	30101064
		2	0	30102006


Slot		M	F	Stock code
DD		1	1	30101636
		1	2	30101637
		2	0	•


Slot (2x4)		M	F	Stock code
DD		1	1	30101146
		1	2	30101149
		2	0	30102005


8 mm Square Slot		M	F	Stock code
DD		1	1	30101175
		1	2	30101176
		2	0	•

10 mm Hexagon female		M	F	Stock code
DD		1	1	30101169
		1	2	30101170
		2	0	•


8 mm Hexagon female		M	F	Stock code
DD		1	1	30101195
		1	2	30101196
		2	0	•

5x10 Slot		M	F	Stock code
DD		1	1	30101188
		1	2	30101189
		2	0	•


6 mm Square		M	F	Stock code
DD		1	1	30101173
		1	2	30101174
		2	0	•

Railway		M	F	Stock code
DD		1	1	30101171
		1	2	30101172
		2	0	•

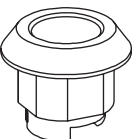
Eastern		M	F	Stock code
DD		1	1	30101177
		1	2	30101178
		2	0	•

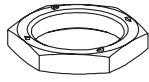
Tork (T-30)		M	F	Stock code
DD		1	1	30101213
		1	2	•
		2	0	•

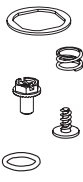
11 mm Hexagon male		M	F	Stock code
DD		1	1	30101675
		1	2	30101676
		2	0	•

Fiat		M	F	Stock code
DD		1	1	30101677
		1	2	30101678
		2	0	•

HOUSING, NUT, SEALING WASHER, SPRING, SCREW, O-RING

Housing		M	F	Stock code
	1	1	30301019	
	1	2	30301035	
	1	1	*30301226	
	1	2	*30301283	
	2	0	30302061	

Nut		M	F	Stock code
	1	1	30501015	
	2	0	30502002	

	Sealing Washer	30802021
	Spring	30703001
	Screw (6x10 Kombi)	30603002
	Screw (5x11 RYSB)	30603055
	O'Ring (IP 65)	30802002

* Suitable for Railway driver

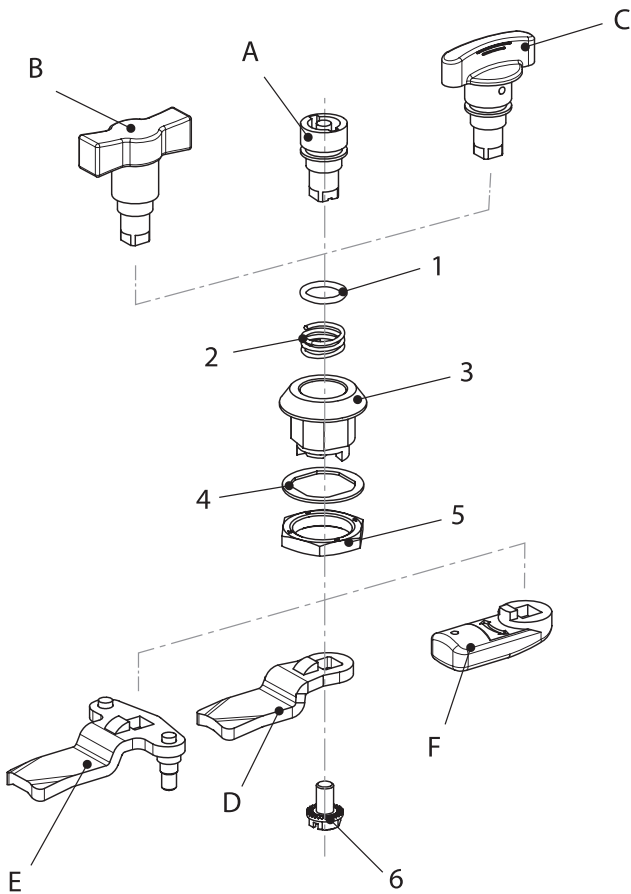


ASSEMBLY

QUARTER-TURN LOCKS

060, 062, 362

Zamak

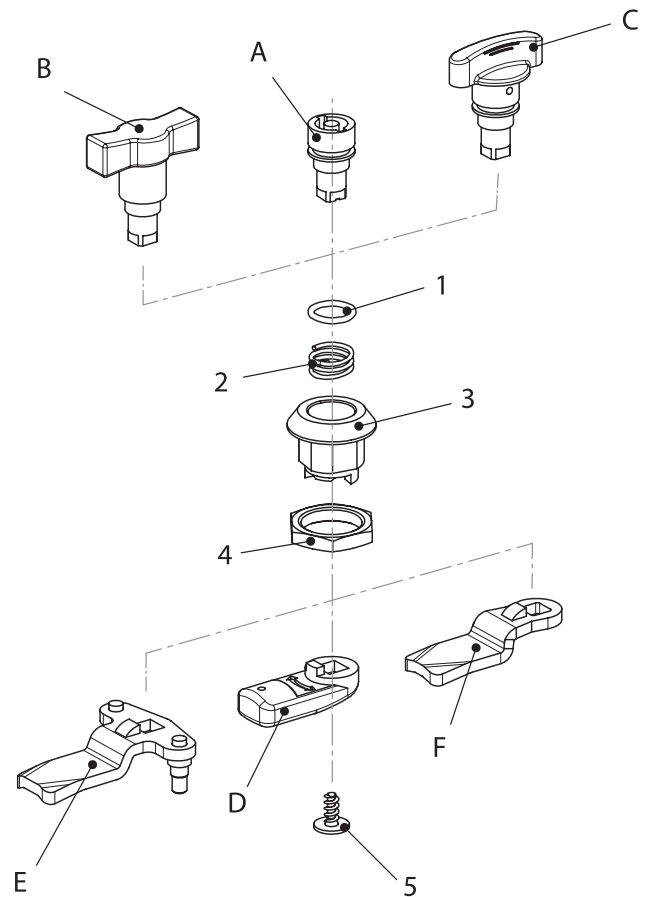


A : Driver (060 system), zamak
 B : Knob (062 system), zamak
 C : Knob (362 system), zamak

1 : O-ring (IP 65)
 2 : Spring
 3 : Housing (Ø 30), zamak
 4 : Sealing washer
 5 : Nut, zamak
 6 : Screw (6x10 Kombi)

D : Cam
 E : Espagnolette cam
 F : Plastic cam

Plastic



A : Driver (060 system), plastic
 B : Knob (062 system), plastic
 C : Knob (362 system), plastic

1 : O-ring (IP 65)
 2 : Spring
 3 : Housing (Ø 28), plastic
 4 : Nut, Plastic
 5 : Screw (5x11 RYSB)

D : Plastic cam
 E : Espagnolette cam
 F : Cam

▶ QUARTER-TURN LOCKS

QUARTER TURN – SPRING LOADED

360

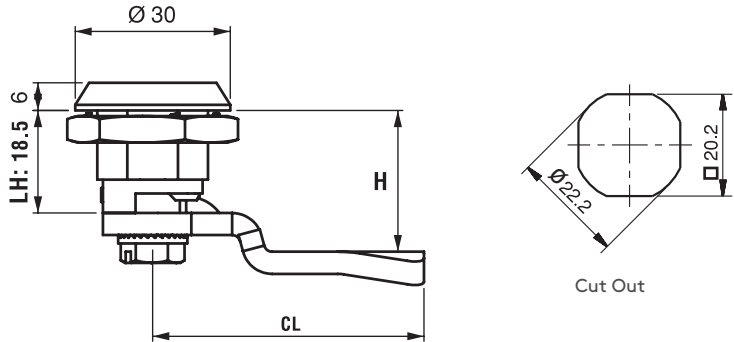


IP 65



LH/RH

RoHS



- Special clip for grounding
- Specially designed internal spring provides 1.5 mm of compression
- Cam does not rotate beyond quarter turn due to stop lip

APPLICATIONS

Electric panels, machinery covers.

MATERIAL

HOUSING: Zamak DIN-EN 1774-ZnAl4Cu1

DRIVER: Zamak DIN-EN 1774-ZnAl4Cu1

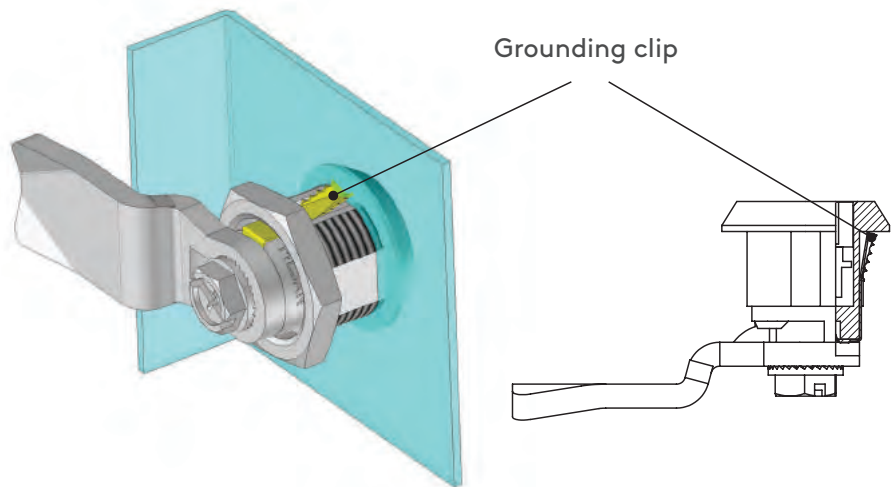
CAM: Steel or Plastic

GASKET: Rubber

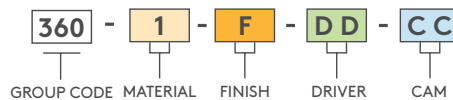
GROUNDING CLIP: Stainless steel

FINISH

Chrome or Black coated



PRODUCT CODE

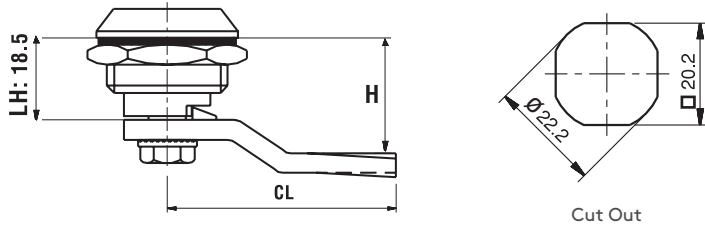


MATERIAL		M	FINISH		F
Zamak		1	Chrome		1
			Black coated		2

For cams please check pages: 144 - 145

For drivers please check page: 166

For keys please check pages : 162 - 163



060

QUARTER TURN – SPRING LOADED

IP 65



LH/RH

RoHS



060 1-1-DD-CC
ZAMAK – CHROME

060 1-2-DD-CC
ZAMAK – BLACK COATED

060 2-0-DD-CC
PLASTIC



- Stainless steel version: page: 436
- Specially designed internal spring provides 1.5 mm of compression
- Cam does not rotate beyond quarter turn due to stop lip

APPLICATIONS

Electric panels, machinery covers

MATERIAL

HOUSING: Zamak DIN-EN 1774-ZnAl4Cu1 or PA6 GFR 30

DRIVER: Zamak DIN-EN 1774-ZnAl4Cu1 or PA6 GFR 30

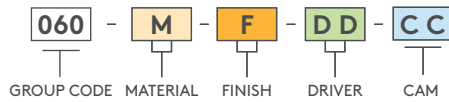
CAM: Steel or Plastic

GASKET: Rubber

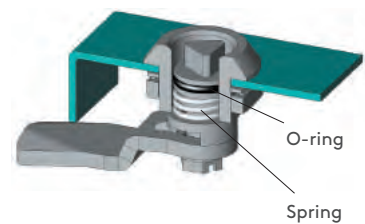
FINISH

Chrome or Black coated

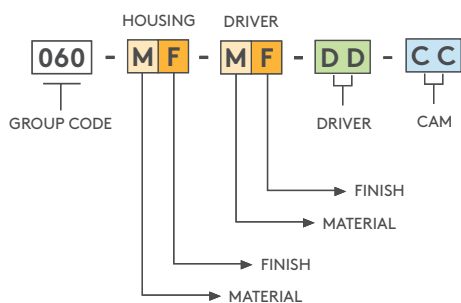
PRODUCT CODE



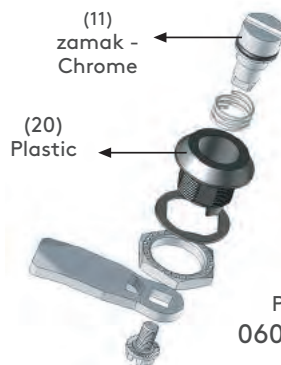
MATERIAL	M	FINISH	F
Zamak	1	Chrome	1
		Black coated	2
Plastic	2	No finish	0



For mixed material and finish lock orders, please use the following coding system:



EXAMPLE



PRODUCT CODE
060 20-11-42-40-1

- For cams please check pages: 144 - 145
- For rods please check pages: 150 - 161
- For keys please check pages: 162 - 163

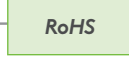
▶ QUARTER-TURN LOCKS

QUARTER TURN – EASY FIXING

560



LH/RH



RoHS

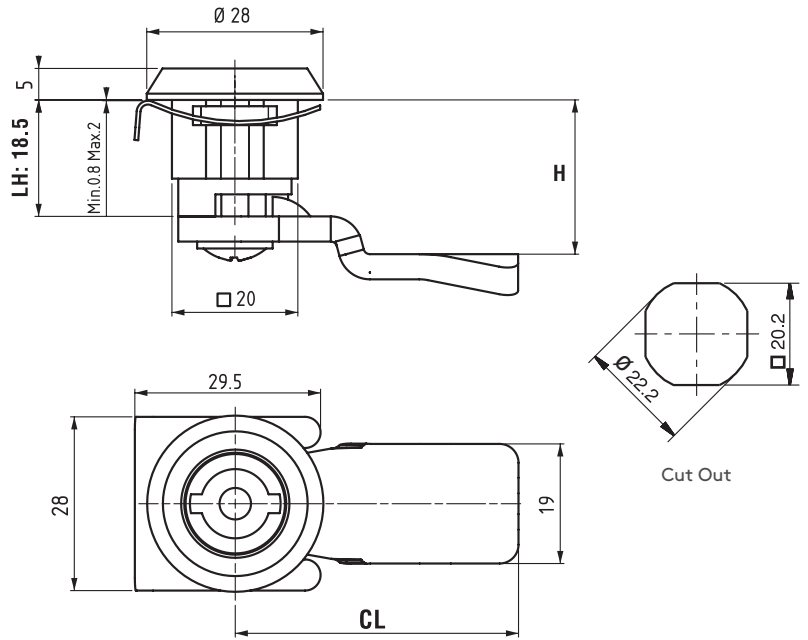
- Easy assembly by clips
- Specially designed internal spring provides 1.5 mm torsion
- Can be used for panel thickness 0.8 to 2 mm
- Please contact Essentra Components for special colours

APPLICATIONS

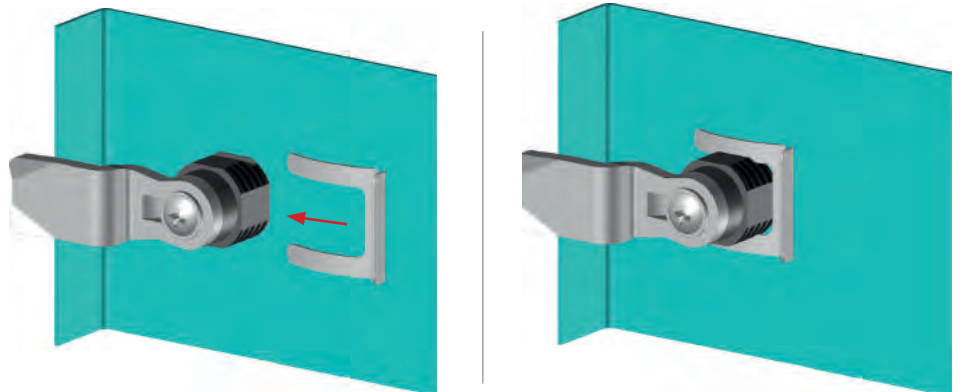
Electric panels, machinery covers,

MATERIAL

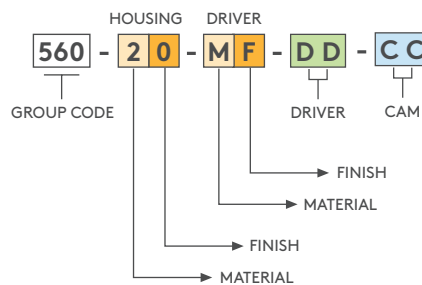
HOUSING: PA6 GFR 30
 DRIVER: Zamak DIN-EN 1774-ZnAl4Cu1 or PA6 GFR 30
 CAM: Steel or Plastic



Easy fixing

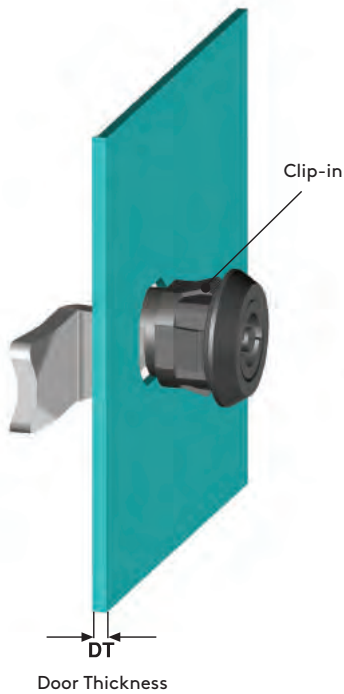
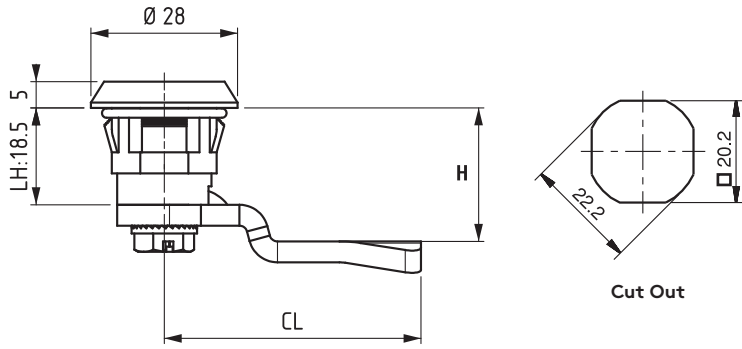


PRODUCT CODE



MATERIAL	M	FINISH	F
Zamak	1	Chrome	1
		Black coated	2
Plastic	2	No finish	0

- For cams please check pages: 144 - 145
- For drivers please check page: 166
- For keys please check pages : 162 - 163



Door Thickness	Version
for 0.8 -1.2 mm panels	1
for 1.2 -1.5 mm panels	2
for 1.5 - 2 mm panels	3 *

* in this version IP 65 is not available

660

QUARTER TURN – EASY FIXING



IP 65



LH/RH

RoHS



- Easy assembly by clips
- Mounting nut not required.
- Specially designed internal spring provides 1.5 mm torsion
- Can be used for panel thickness 0.8 to 2 mm
- Please contact Essentra Components for special colours

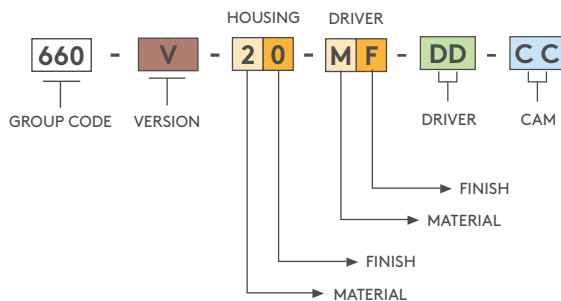
APPLICATIONS

Electric panels, machinery covers,

MATERIAL

HOUSING: PA6 GFR 30
 DRIVER: Zamak DIN-EN 1774-ZnAl4Cu1 or PA6 GFR 30
 CAM: Steel or Plastic

PRODUCT CODE



MATERIAL	M
Zamak	1
Plastic	2

FINISH	F
Chrome	1
Black coated	2
No finish	0

- For cams please check pages: 144 - 145
- For drivers please check page: 166
- For keys please check pages : 162 - 163

▶ QUARTER-TURN LOCKS

QUARTER TURN – WING KNOB

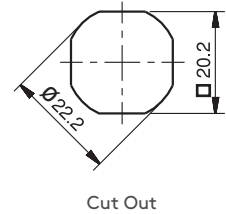
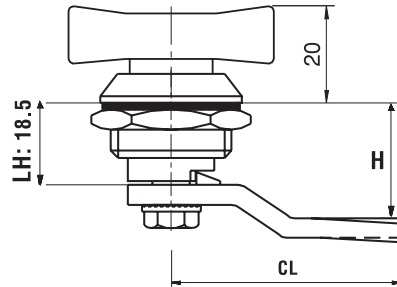
062

IP 65



LH/RH

RoHS



- Wing operates lock and serves as knob

APPLICATIONS

Electric panels, machinery covers

MATERIAL

HOUSING: Zamak DIN-EN 1774-ZnAl4Cu1 or PA6 GFR 30

KNOB: Zamak DIN-EN 1774-ZnAl4Cu1 or PA6 GFR 30

CAM: Steel or Plastic

GASKET: Rubber

FINISH

Chrome or Black coated

062 1-1-CC
ZAMAK – CHROME



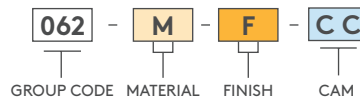
062 1-2-CC
ZAMAK – BLACK COATED



062 2-0-CC
PLASTIC

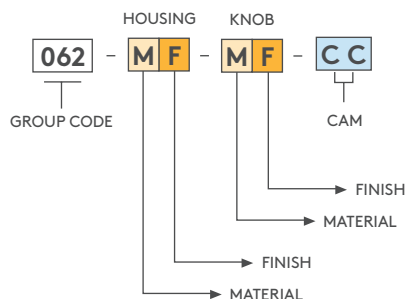


PRODUCT CODE

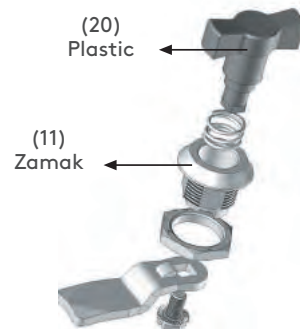


MATERIAL		M	FINISH		F
Zamak		1	Chrome		1
			Black coated		2
Plastic		2	No finish		0

For mixed material and finish lock orders, please use the following coding system:



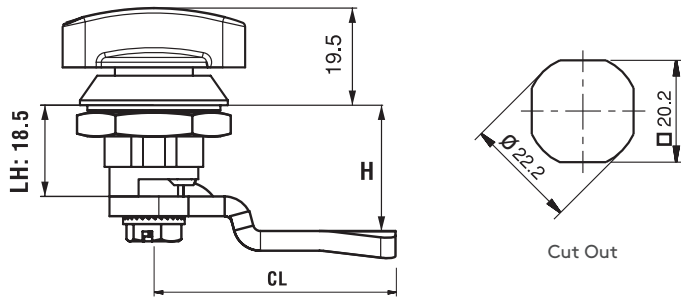
EXAMPLE



PRODUCT CODE
062 11-20-42

For cams please check pages: 144 - 145

For rods please check pages: 150 - 161



362

QUARTER TURN – WING KNOB

IP 65



LH/RH

RoHS



- Wing operates lock and serves as knob

APPLICATIONS

Electric panels, machinery covers

MATERIAL

HOUSING: Zamak DIN-EN 1774-ZnAl4Cu1 or PA6 GFR 30

KNOB: Zamak DIN-EN 1774-ZnAl4Cu1 or PA6 GFR 30

CAM: Steel or Plastic
GASKET: Rubber

FINISH

Chrome or Black coated

362 1-1-CC
ZAMAK – CHROME



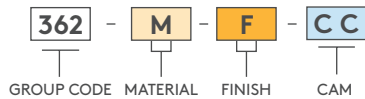
362 1-2-CC
ZAMAK – BLACK COATED



362 2-0-CC
PLASTIC

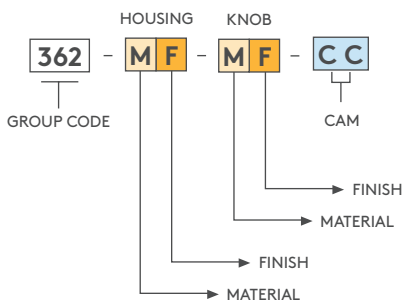


PRODUCT CODE

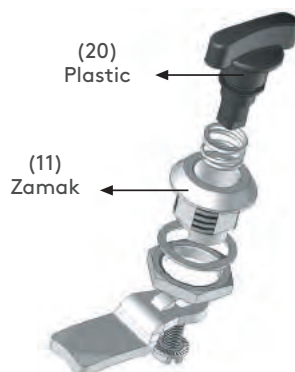


MATERIAL	M	FINISH	F
Zamak	1	Chrome	1
Plastic	2	Black coated	2
		No finish	0

For mixed material and finish lock orders, please use the following coding system:



EXAMPLE



PRODUCT CODE
362 11-20-42

For cams please check pages: 144 - 145

For rods please check pages: 150 - 161

▶ QUARTER-TURN LOCKS

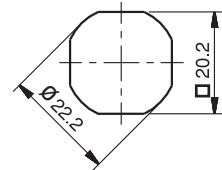
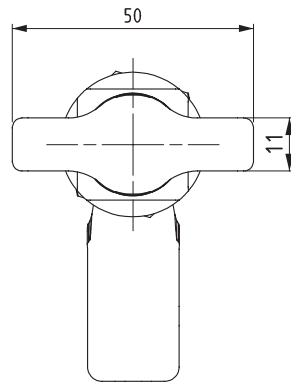
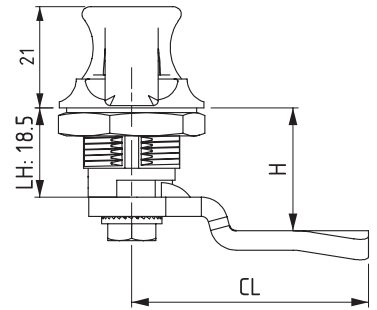
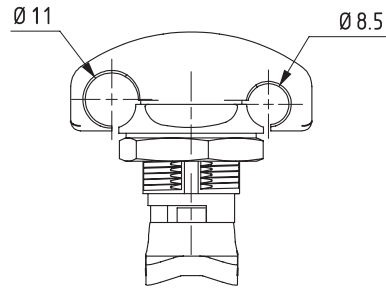
PADLOCKABLE WING KNOB

562



LH/RH

RoHS



Cut Out

- Maximum shackle diameter is 10 mm for 11 mm hole
- Maximum shackle diameter is 6 mm for 8.5 mm hole

APPLICATIONS

Electric panels, machinery covers

MATERIAL

HOUSING: Zamak DIN-EN

1774-ZnAl4Cu1

KNOB: Zamak DIN-EN

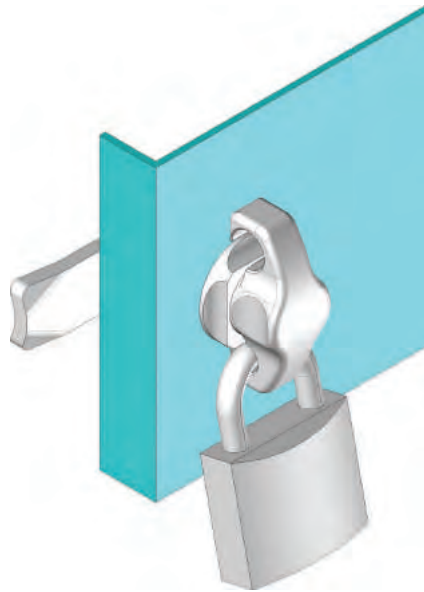
1774-ZnAl4Cu1

CAM: Steel

Steel

FINISH

Chrome or Black coated



For cams please check pages: 144 - 145

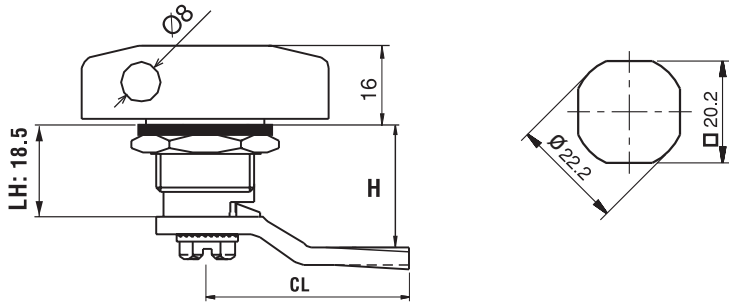


For rods please check pages: 150 - 161

FINISH	F
Chrome	1
Black coated	2

PRODUCT CODE

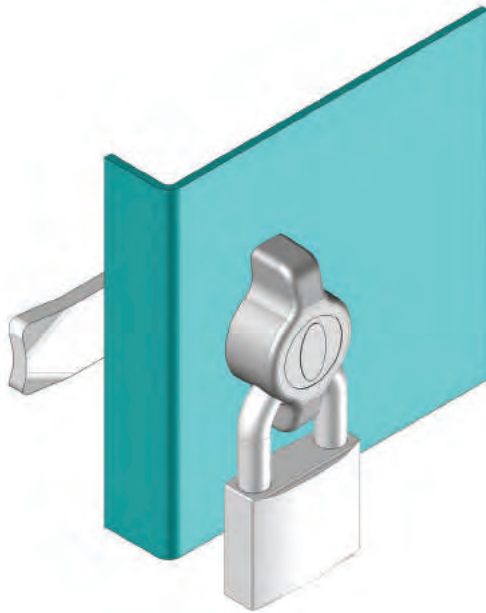
562	-	F	-	CC
GROUP CODE		FINISH		CAM



262 .1
ZAMAK - CHROME




262 .2
ZAMAK - BLACK COATED



262

PADLOCKABLE WING KNOB

- 
-  LH
-  RH
-  RoHS
- 



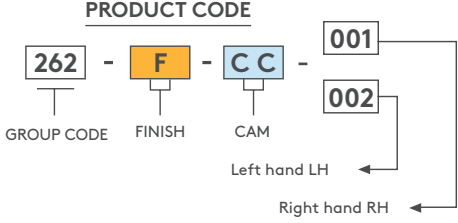
• Padlockable wing knob. Maximum shackle diameter 6 mm


APPLICATIONS
Electric panels, machinery covers


MATERIAL
HOUSING: Zamak DIN-EN 1774-ZnAl4Cu1
KNOB: Zamak DIN-EN 1774-ZnAl4Cu1
CAM: Steel

FINISH
Chrome or Black coated

FINISH	F
Chrome	1
Black coated	2



 For cams please check pages: 144 - 145

 For rods please check pages: 150 - 161

▶ QUARTER-TURN LOCKS

SECURE QUARTER TURN

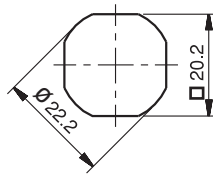
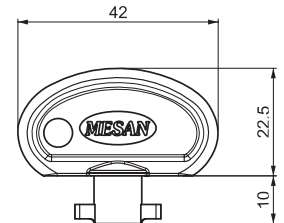
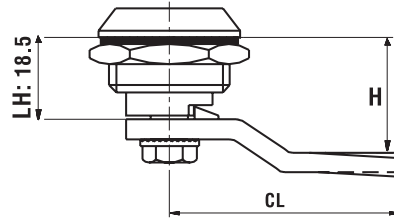
361



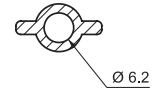
IP 65

LH/RH

RoHS



Cut Out



- When lock is open, key functions as a knob
- Key is specific to this lock and should be ordered at same time

APPLICATIONS

Electric panels, machinery covers,

MATERIAL

HOUSING: Zamak DIN-EN 1774-ZnAl4Cu1

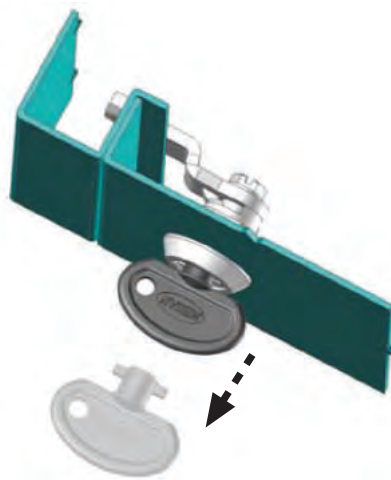
DRIVER: Zamak DIN-EN 1774-ZnAl4Cu1

CAM: Steel

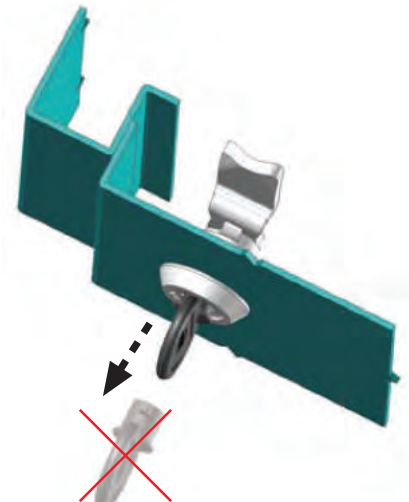
GASKET: Rubber

FINISH

Chrome or Black coated



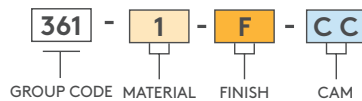
Key is removable at locked position



Key is not removable at open position; it works like a knob

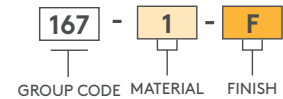
Lock

PRODUCT CODE



Key

PRODUCT CODE



MATERIAL	M
Zamak	1

FINISH	F
Chrome	1
Black coated	2

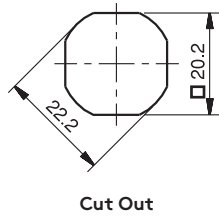
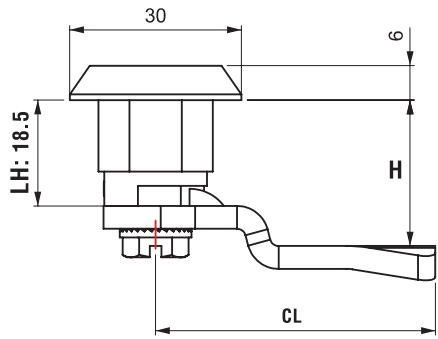


For cams please check pages: 144 - 145



461

SECURE QUARTER TURN



LH/RH



- When lock is open, key functions as a knob.

APPLICATIONS

Electric panels, machinery covers,

MATERIAL

HOUSING: Zamak DIN-EN

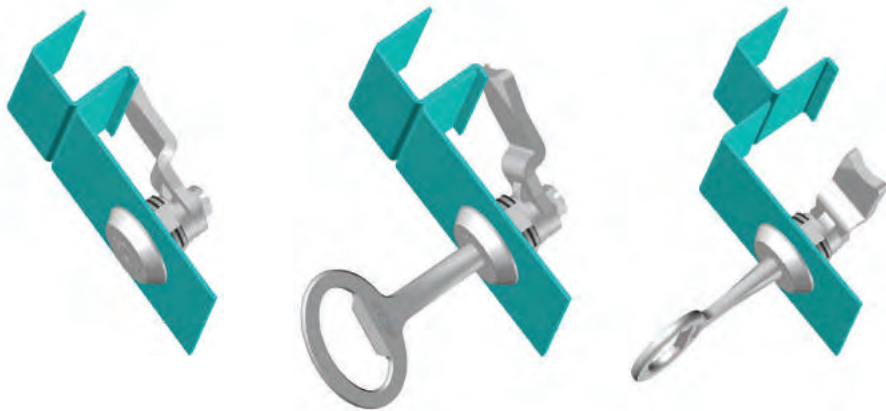
1774-ZnAl4Cu1

DRIVER: Zamak DIN-EN

1774-ZnAl4Cu1

CAM: Steel

GASKET: Rubber



Key is removable at locked position

Key is not removable at open position, it works like a knob.

DRIVERS		
5 mm Double bit	8 mm Square	Fiat
15	96	95

SPECIAL KEYS

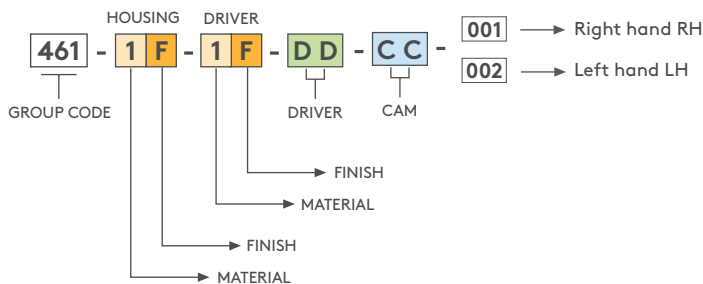


368-96
8 mm Square



368-95
Fiat

PRODUCT CODE



MATERIAL	M	FINISH	F
Zamak	1	Chrome	1
		Black coated	2

For cams please check pages: 144 - 145

▶ QUARTER-TURN LOCKS

QUARTER TURN - SPRING LOADED

760



IP 65



LH/RH



RoHS

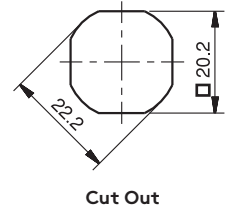
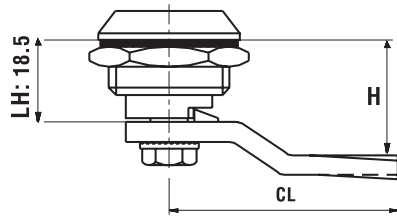
- Specially designed internal spring provides 1.5mm of compression.
- Cam does not rotate beyond quarter turn due to stop lip.

APPLICATIONS

Electric panels, machinery covers,

MATERIAL

HOUSING: PA6 GFR 30
 DRIVER: Zamak DIN-EN 1774-ZnAl4Cu1 or PA6 GFR 30
 CAM: Steel or plastic
 GASKET: Polyurethane



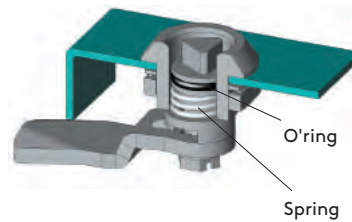
760 20-11-DD-CC
 DD: ZAMAK - CHROME

760 20-12-DD-CC
 DD: ZAMAK - BLACK

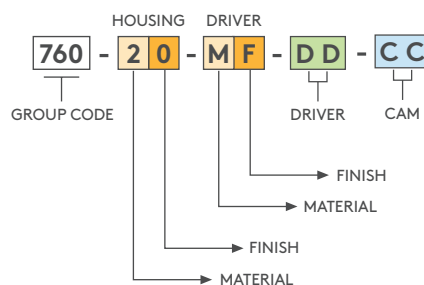
760 20-20-DD-CC
 DD: PLASTIC



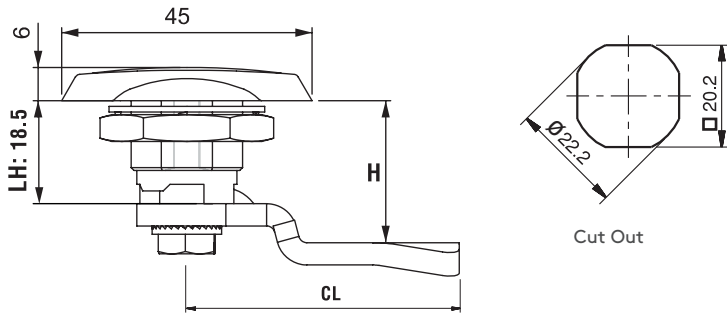
Sealing in plastic housing.
 This application aims to improve the sealing level in quarter turns.



PRODUCT CODE



- For cams please check pages: 144 - 145
- For drivers please check page: 166
- For keys please check pages : 162 - 163



561 KNOB LOCK (Plastic)

- IP 65
- LH/RH
- RoHS



- Designed to act as a knob.
- For special colours, please contact Essentra

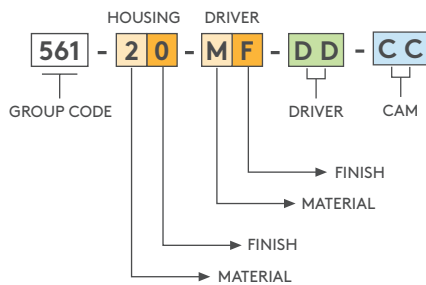
APPLICATIONS

Electric panels, machinery covers

MATERIAL

- HOUSING: Polyamide DIN-EN ISO 1043-1 PA6 GFR 30
- DRIVER: Zamak or PA6 GFR 30
- NUT: Zamak or PA6 GFR 30
- CAM: Steel or Plastic

PRODUCT CODE



MATERIAL	M	FINISH	F
Zamak	1	Chrome	1
Plastic	2	Black coated	2
		No finish	0

- For cams please check pages: 144 - 145
- For drivers please check page: 166
- For keys please check pages : 162 - 163

▶ QUARTER-TURN LOCKS

KNOB LOCK (Plastic)

161

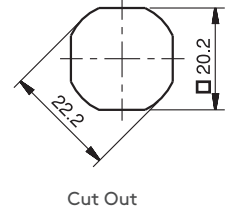
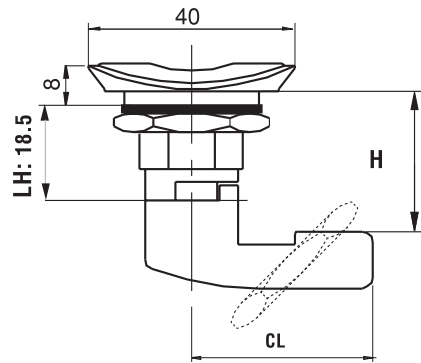


IP 65



LH/RH

RoHS



- Designed to act as a knob
- For special colours, please contact Essentra

APPLICATIONS

Electric panels, machinery covers

MATERIAL

HOUSING: Polyamide DIN-EN ISO 1043-1 PA6 GFR 30

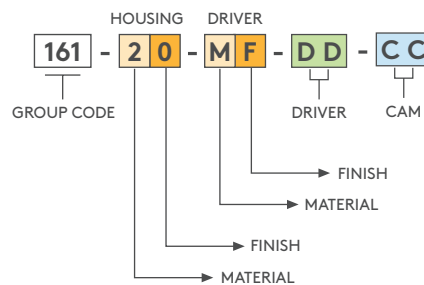
DRIVER: Zamak or PA6 GFR 30

NUT: Zamak or PA6 GFR 30

CAM: Steel or Plastic



PRODUCT CODE



MATERIAL		M	FINISH		F
Zamak		1	Chrome		1
Plastic		2	Black coated		2
			No finish		0

For cams please check pages: 144 - 145

For drivers please check page: 166

For keys please check pages : 162 - 163



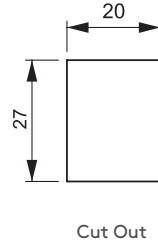
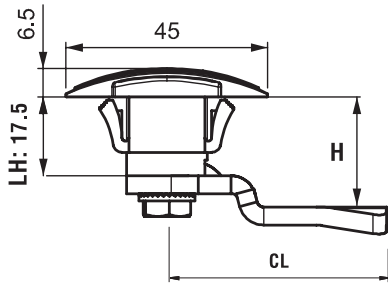
261

KNOB LOCK (Plastic)



LH/RH

RoHS



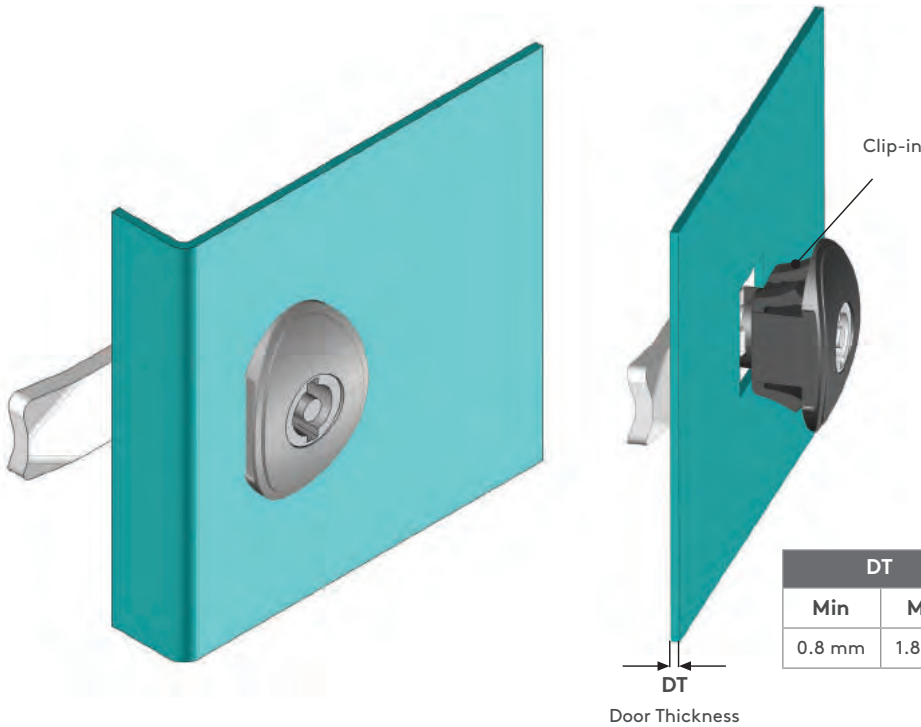
- Clip fixing for easy assembly
- Mounting nut not required
- Special 20 mm x 26 mm cut out
- There is no IP 65 version of this lock
- 1.8 mm maximum panel thickness

APPLICATIONS

Electric panels, machinery covers

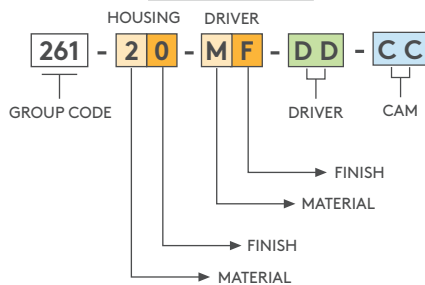
MATERIAL

HOUSING: Polyamide DIN-EN ISO 1043-1 PA6 GFR 30
 DRIVER: Zamak or PA6 GFR 30
 CAM: Steel or Plastic



DT	
Min	Max
0.8 mm	1.8 mm

PRODUCT CODE



MATERIAL	M
Zamak	1
Plastic	2

FINISH	F
Chrome	1
Black coated	2
No finish	0

- For cams please check pages: 144 - 145
- For drivers please check page: 166
- For keys please check pages : 162 - 163

▶ QUARTER-TURN LOCKS

QUARTER TURN – SPRING CAM

160



LH

RH

RoHS

- Spring-loaded cam provides depress-to-lock action
- Distance between inside of lock face and front of cam fixed at 22.5 mm
- There is no IP 65 version of this lock, due to spring loaded cam

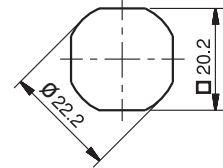
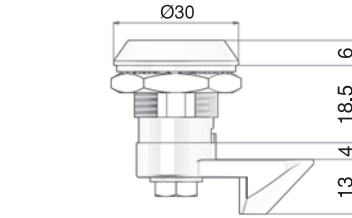
APPLICATIONS

Electric panels, machinery covers

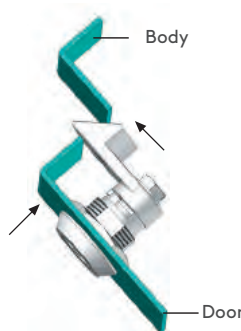
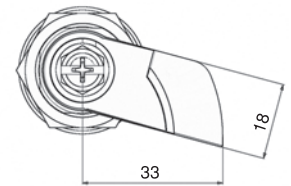
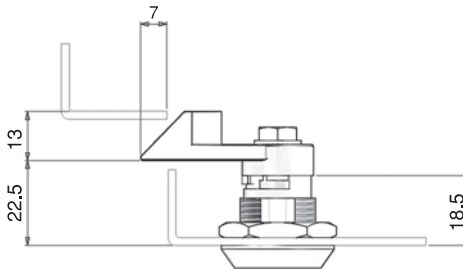
MATERIAL

HOUSING: Zamak DIN-EN 1774-ZnAl4Cu1
 DRIVER: Zamak DIN-EN 1774-ZnAl4Cu11
 GASKET: Rubber

FINISH
 Chrome

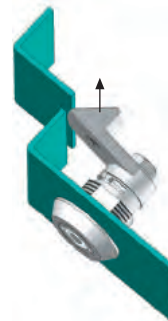


Cut Out



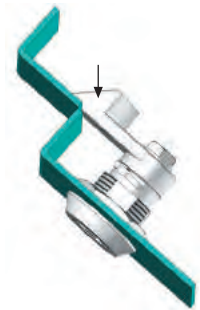
Position 1

Push the door



Position 2

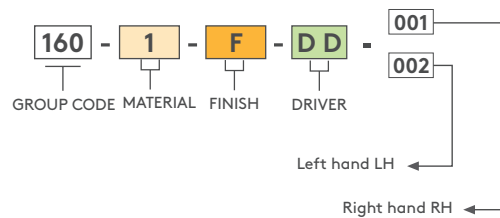
Cam will move upright when touches the body



Position 3

When the cam is free, cam will move down right by spring and the door will lock

PRODUCT CODE

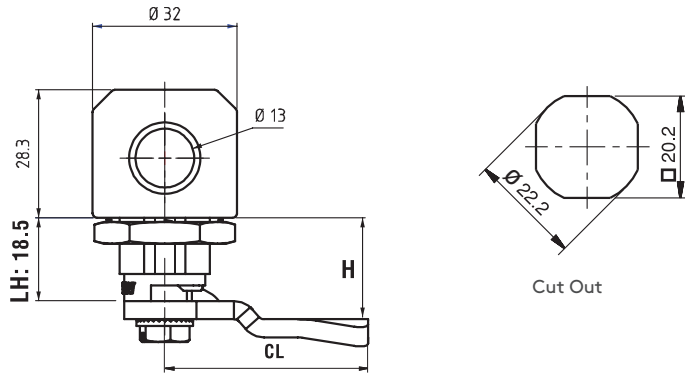


MATERIAL	M
Zamak	1

FINISH	F
Chrome	1
Black coated	2

For drivers please check page: 166

For keys please check pages : 162 - 163



Application 1



Application 2



260

QUARTER TURN - PADLOCKABLE

IP 65



LH/RH

RoHS



- Padlockable version
- Can be used with different drivers

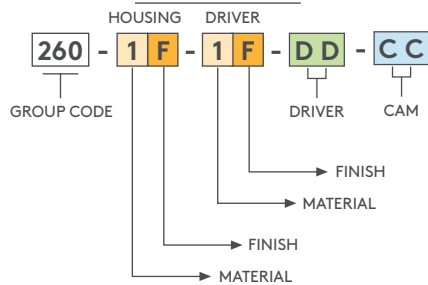
APPLICATIONS

Electric panels, machinery covers

MATERIAL

HOUSING: Zamak DIN-EN 1774-ZnAl4Cu1
 DRIVER: Zamak DIN-EN 1774-ZnAl4Cu1
 CAM : Steel
 GASKET: Rubber

PRODUCT CODE



MATERIAL	M	FINISH	F
Zamak	1	Chrome	1
		Black coated	2

- For cams please check pages: 144 - 145
- For drivers please check page: 166
- For keys please check pages : 162 - 163

▶ QUARTER-TURN LOCKS

PACO LOCK

162



LH/RH

RoHS

- Paco type knob

APPLICATIONS

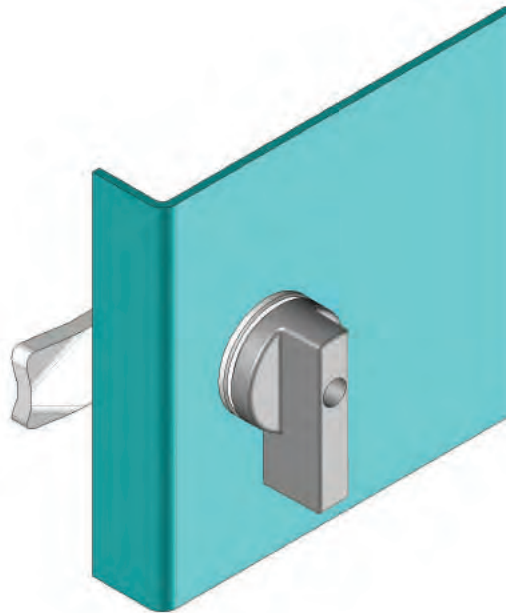
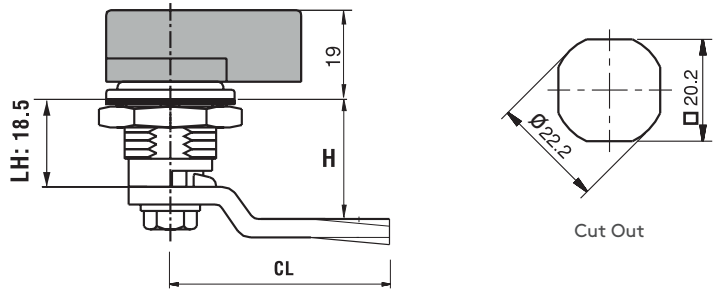
Electric panels, machinery covers

MATERIAL

HOUSING: Zamak DIN-EN 1774-ZnAl4Cu1
 KNOB: PA6 GFR 30
 CAM: Steel or Plastic
 GASKET: Rubber

FINISH

Chrome



PRODUCT CODE

162 - CC

GROUP CODE CAM



For cams please check pages: 144 - 145

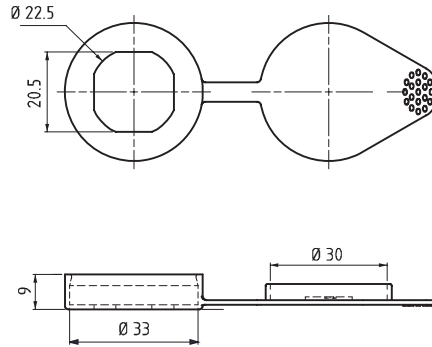


For rods please check pages: 150 - 161



060 A7

DUST CAP

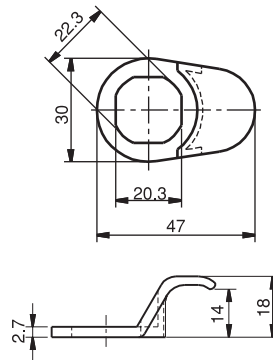


- Recommended when dust and humidity protection required
- Can be ordered separately

MATERIAL
Polyurethane

060 A2

LOCK HANDLE



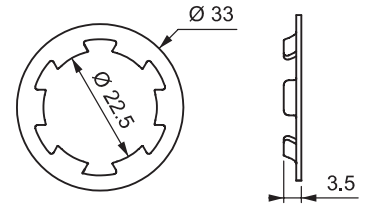
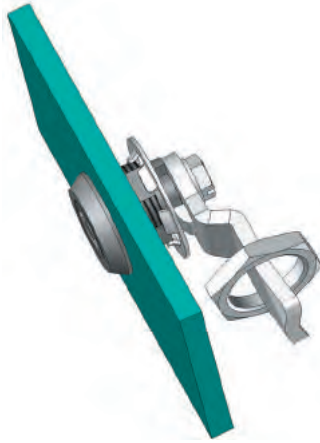
- Allows lock to be fitted to thick doors
- Easy fixing for isolated doors

MATERIAL
PA6 GFR 30

▶ QUARTER-TURN LOCKS

FIXING DEVICE

060 A3



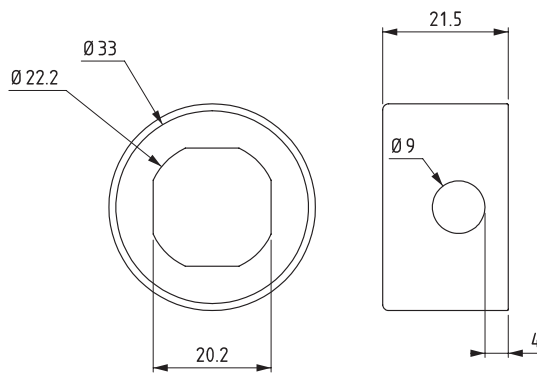
- Prevents rotation
- For applications subject to vibration

MATERIAL
Steel

FINISH
Zinc plated

PADLOCK ADAPTER

060 A8



- Max. shackle diameters is 8 mm

MATERIAL
Steel

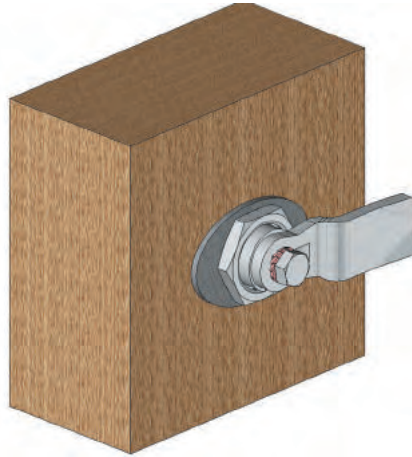
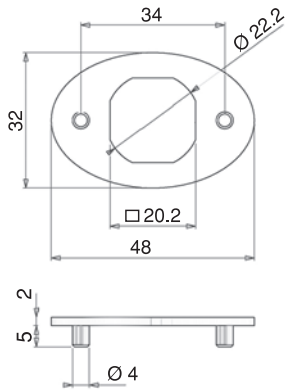
FINISH
Zinc plated





060 A5

FIXING DEVICE



- Fixing device for wooden applications

APPLICATIONS

Wooden panels

MATERIAL

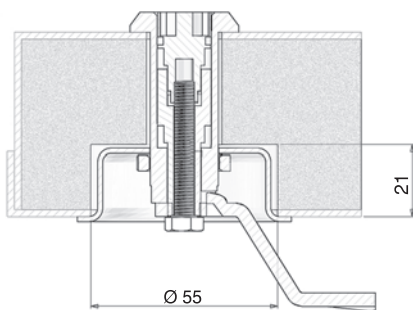
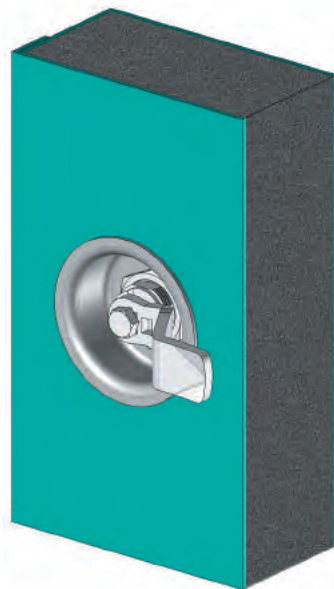
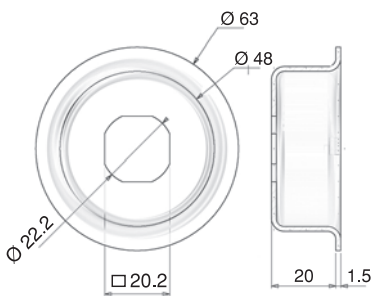
Zamak DIN-EN 1774-ZnAl4Cu1

FINISH

Zinc plated

060 A6

SPACER



- Allows lock to be fitted to thick doors
- Easy fixing for isolated doors

APPLICATIONS

Isolated covers

MATERIAL

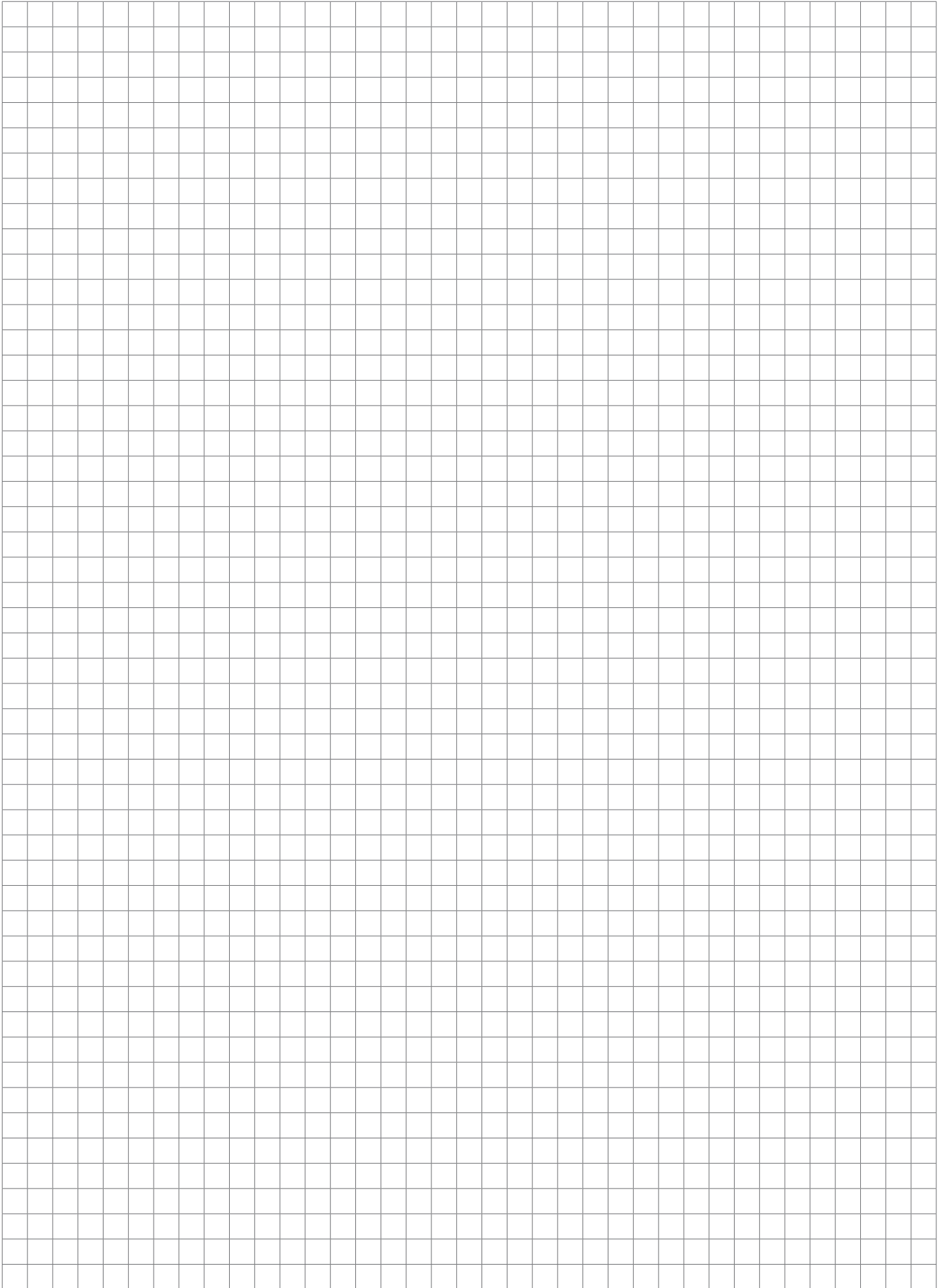
Steel

FINISH

Zinc plated



QUARTER-TURN LOCKS



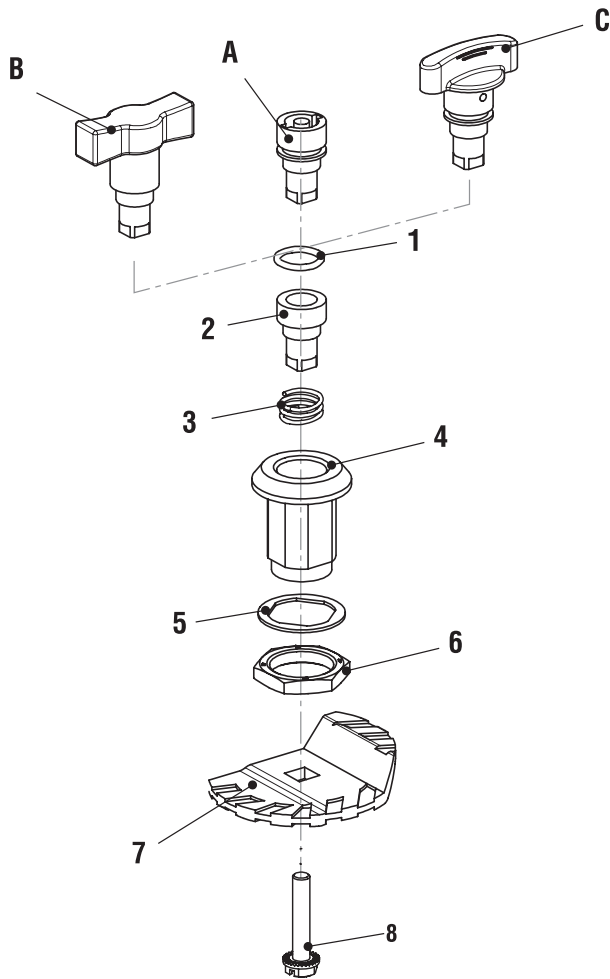


ASSEMBLY

QUARTER-TURN LOCKS

064

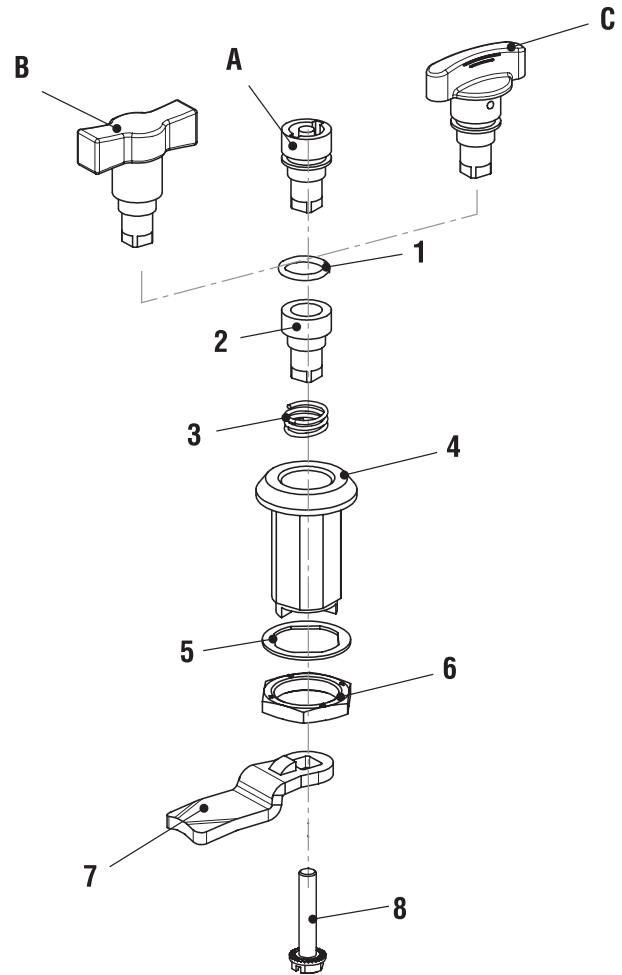
Stepped cam



A: Driver (060 system), zamak
 B: Knob (062 system), zamak
 C: Knob (362 system), zamak

- 1: O-ring (Ip 65)
- 2: Adapter
- 3: Spring
- 4: Housing (Ø 32), zamak
- 5: Sealing washer
- 6: Nut, zamak
- 7: Stepped cam
- 8: Screw M6 (COMBI)

Quarter turn



A: Driver (060 system), zamak
 B: Knob (062 system), zamak
 C: Knob (362 system), zamak

- 1: O-ring (Ip 65)
- 2: Adapter
- 3: Spring
- 4: Housing (Ø 32), zamak
- 5: Sealing washer
- 6: Nut, zamak
- 7: Cam
- 8: Screw M6 (COMBI)

▶ QUARTER-TURN LOCKS

STEPPED COVER LOCK

064



IP 65

LH/RH

RoHS

- For soundproof or isolated doors
- Tight closure achievable with 270° cam rotation and stepped cam
- Lock supplied with standard housing

APPLICATIONS

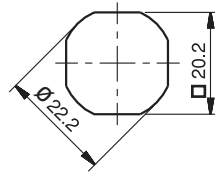
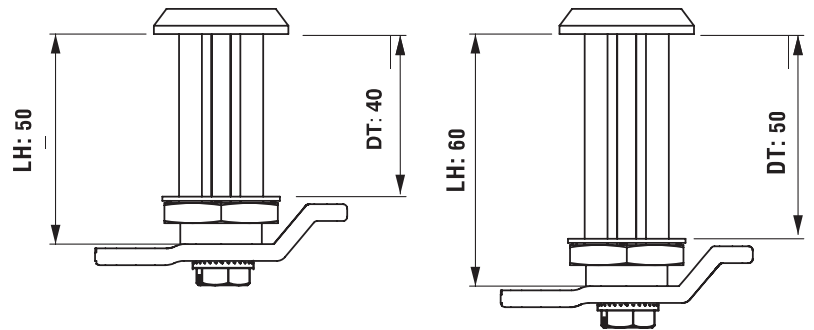
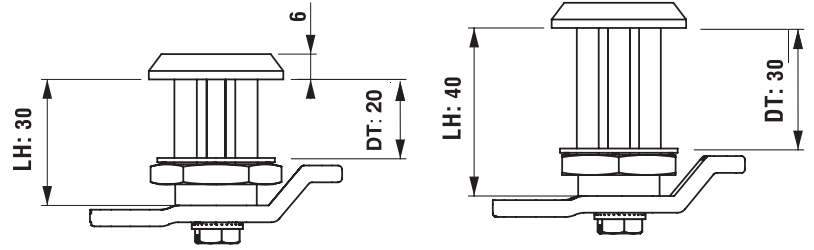
Central air conditioning units, isolated panels

MATERIAL

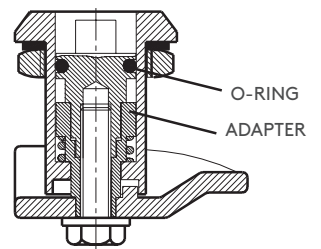
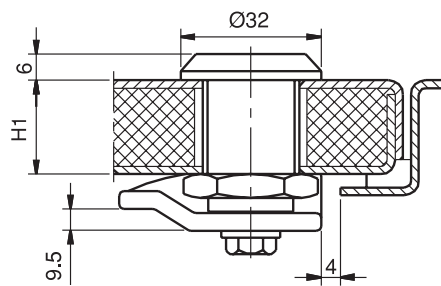
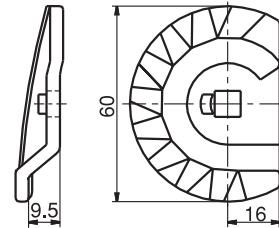
HOUSING: Zamak DIN-EN 1774-ZnAl4Cu1
 DRIVER: Zamak DIN-EN 1774-ZnAl4Cu1
 CAM: Zamak DIN-EN 1774-ZnAl4Cu1
 GASKET: Rubber

FINISH

Chrome or Black coated



Cut Out



PRODUCT CODE

064 - **1** - **F** - **DD** - **DT** - **99**
 GROUP CODE MATERIAL FINISH DRIVER DOOR THICKNESS CAM

MATERIAL		M	FINISH		F
Zamak		1	Chrome		1
			Black coated		2

For drivers please check pages: 166

For keys please check pages : 162 - 163



064

QUARTER TURN –
SPRING LOADED

IP 65



LH/RH

RoHS



- Stainless steel version: page: 437
- For soundproof or isolated doors
- Supplied with standard housing

APPLICATIONS

Wooden panels, isolated covers

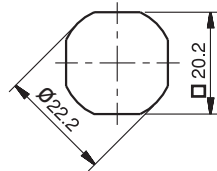
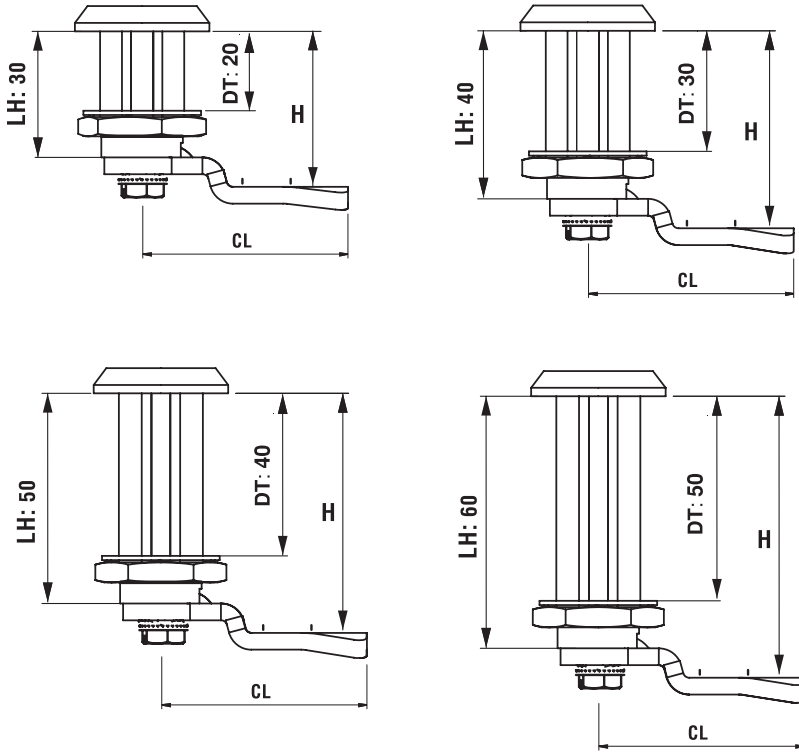
MATERIAL

HOUSING: Zamak DIN-EN 1774-ZnAl4Cu1
 DRIVER: Zamak DIN-EN 1774-ZnAl4Cu1
 CAM: Steel
 GASKET: Rubber

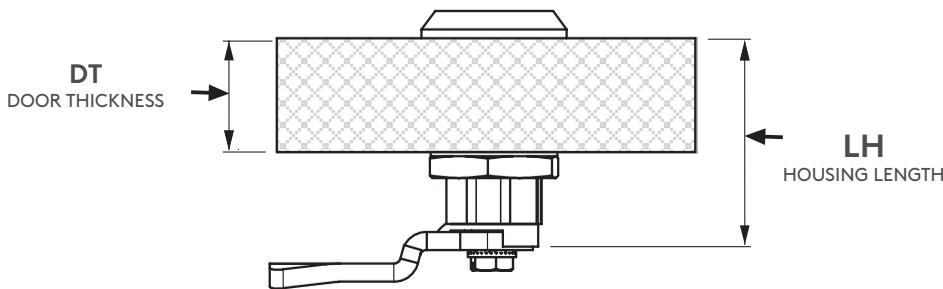
FINISH

Chrome or Black coated

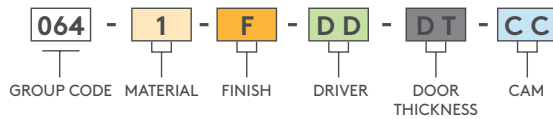
- For cams please check pages: 144 - 145
- For drivers please check page: 166
- For keys please check pages : 162 - 163



Cut Out



PRODUCT CODE



MATERIAL	M	FINISH	F
Zamak	1	Chrome	1
		Black coated	2

▶ QUARTER-TURN LOCKS

QUARTER TURN – WING KNOB

064



IP 65

LH/RH

RoHS

- For soundproof or isolated doors
- Supplied with standard housing

APPLICATIONS

Wooden panels, isolated covers

MATERIAL

HOUSING: Zamak DIN-EN 1774-ZnAl4Cu1

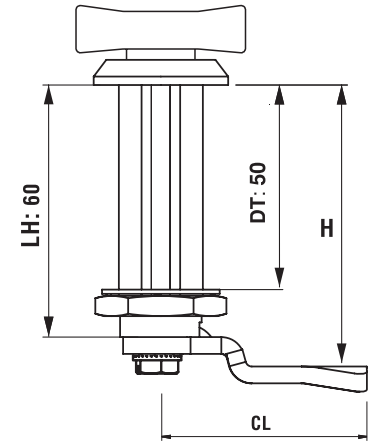
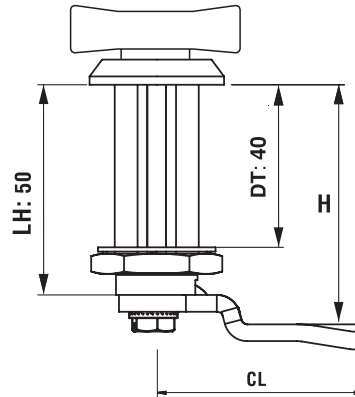
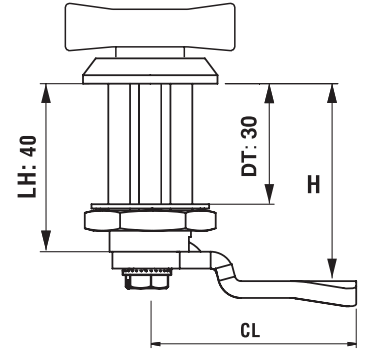
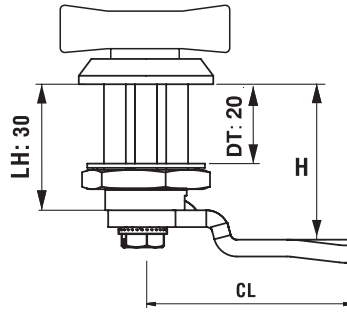
DRIVER: Zamak DIN-EN 1774-ZnAl4Cu1

CAM: Steel

GASKET: Rubber

FINISH

Chrome or Black coated

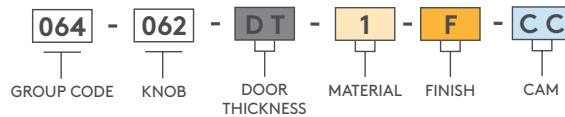


064 062-DT-1-1-CC
ZAMAK – CHROME

064 062-DT-1-2-CC
ZAMAK – BLACK COATED



PRODUCT CODE



MATERIAL	M
Zamak	1

FINISH	F
Chrome	1
Black coated	2

For cams please check pages: 144 - 145

For rods please check pages: 150 - 161



064

QUARTER TURN – WING KNOB

IP 65



LH/RH

RoHS



- For sound-proof or isolated doors
- Supplied with standard housing

APPLICATIONS

Wooden panels, isolated covers

MATERIAL

HOUSING: Zamak DIN-EN 1774-ZnAl4Cu1

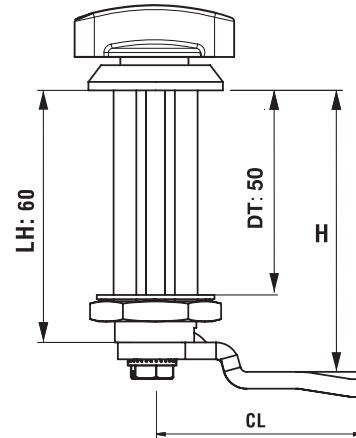
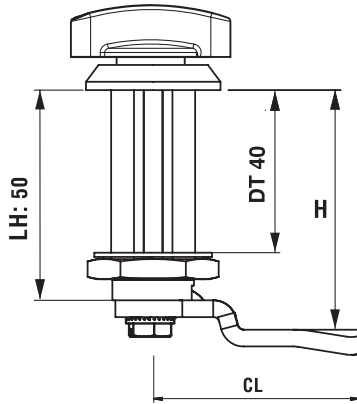
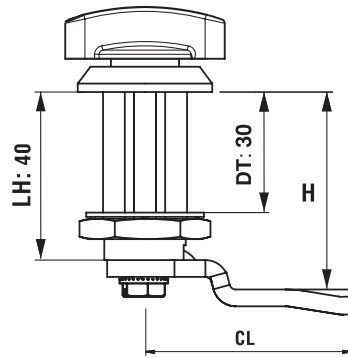
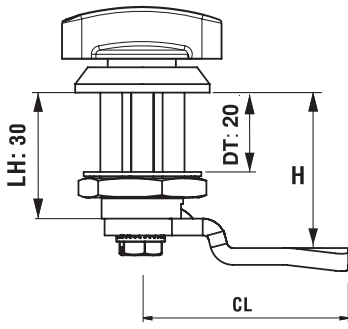
DRIVER: Zamak DIN-EN 1774-ZnAl4Cu1

CAM: Steel

GASKET: Rubber

FINISH

Chrome or Black coated

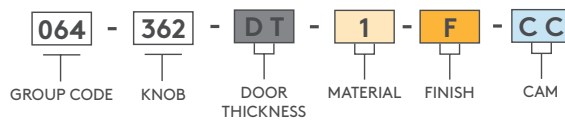


064 362-DT-1-1-CC
ZAMAK – CHROME

064 362-DT-1-2-CC
ZAMAK – BLACK COATED



PRODUCT CODE



MATERIAL	M	FINISH	F
Zamak	1	Chrome	1
		Black coated	2

For cams please check pages: 144 - 145

For rods please check pages: 150 - 161

▶ QUARTER-TURN LOCKS

COMPRESSION LOCK

040

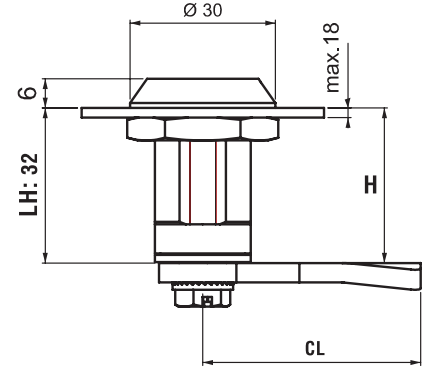
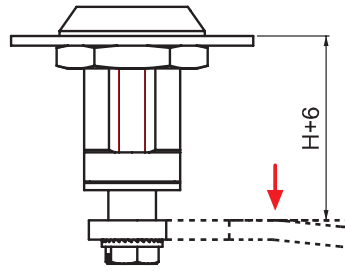


IP 65



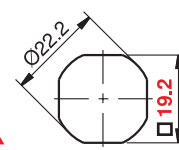
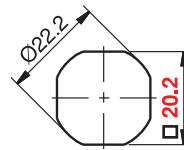
LH/RH

RoHS



V :1

V :3



Standard
Cut Out

Special
Cut Out

- **Stainless Steel version: page 438**
- Used for cabinets that require better sealing under vibrating conditions
- Provides 6 mm of compression
- Provides noise isolation
- Alternative drivers/cams available
- Standard cams without stopper required for these locks
- The lock has been tested according to the DIN EN 61373 Category 1-B for vibration and shock.
- Working Temperature Range: -50/+80 C
- M22 Nut : should be fixed with 60 Nm
- M10 Nut: should be fixed with 10 Nm
- Sealing glue is applied to the nut threads to get extra fastness against vibration and shock
- Max load capacity: 562 N

APPLICATIONS

Electric panels, machinery covers, railway applications, construction equipment

MATERIAL

HOUSING: Zamak DIN-EN 1774-ZnAl4Cu1

DRIVER: Zamak DIN-EN 1774-ZnAl4Cu1

CAM: Steel

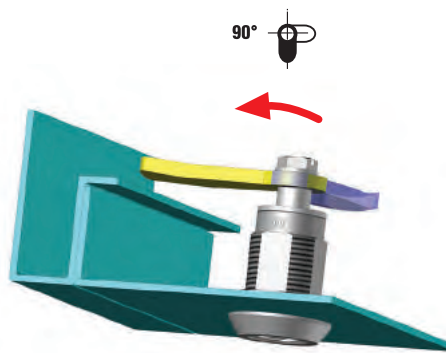
GASKET: Rubber

FINISH: Chrome or Black coated

FINISH: Chrome or Black coated

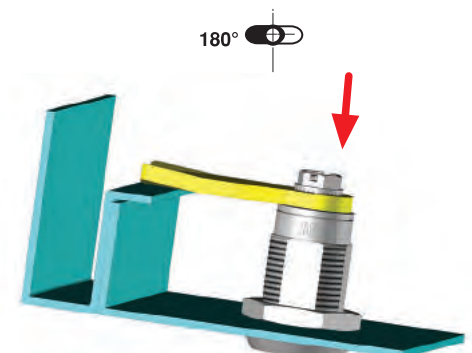
FINISH: Chrome or Black coated

FINISH: Chrome or Black coated



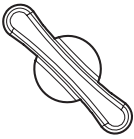
Unlock position

The first 90° of key rotation turns the cam to locking position

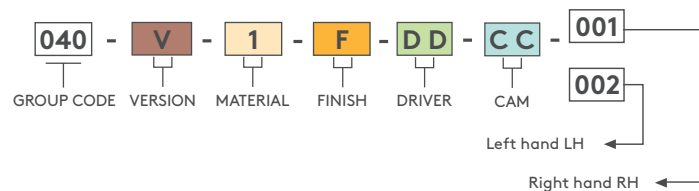


Lock position

Further key rotation 180° applies compression


KNOB	DRIVERS							
	3 mm Double bit	5 mm Double bit	Tubular key	8 mm Hexagon	8 mm Hexagon with security pin	8 mm Hexagon	8 mm Hexagon with security pin	8 mm Hexagon
	DD 13	DD 15	DD 93	DD 68	DD 69	DD 68	DD 69	DD 68
	Railway	8 mm Square	2X4 mm Slot	7 mm Triangular	8 mm Triangular	7 mm Triangular	8 mm Triangular	8 mm Triangular
DD 94	DD 88	DD 28	DD 42	DD 37	DD 38	DD 37	DD 38	DD 38


PRODUCT CODE

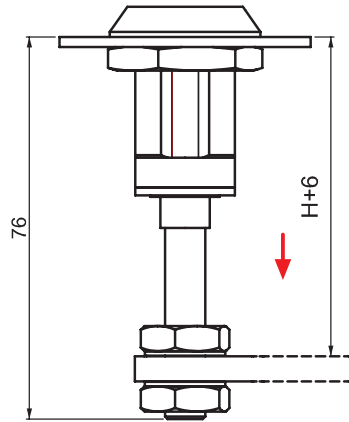
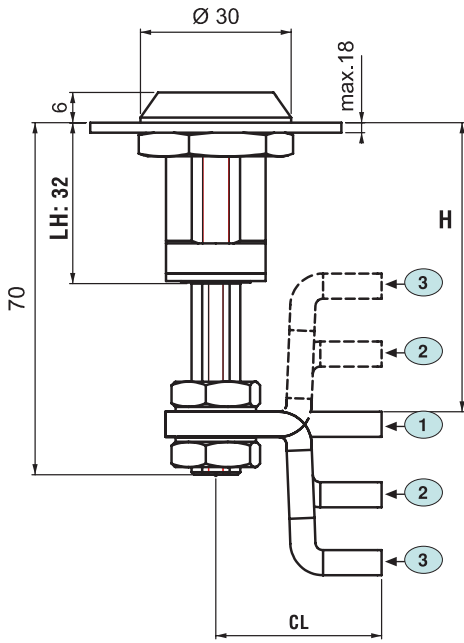


MATERIAL	M
Zamak	1

FINISH	F
Chrome	1
Black coated	2

 For cams please check pages: 146 - 147

 For keys please check pages : 162 - 163



040

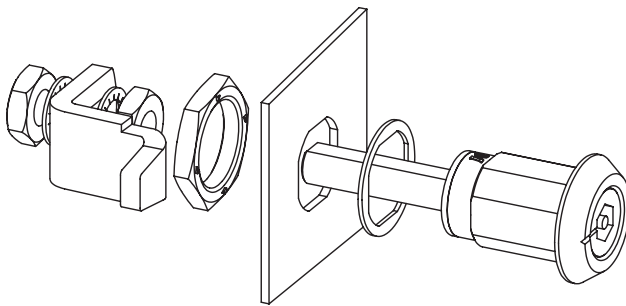
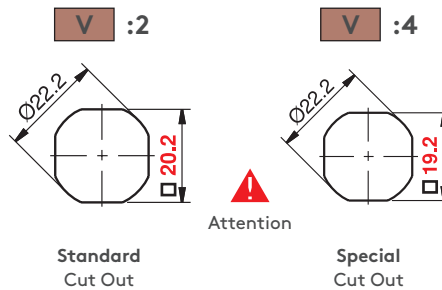
COMPRESSION LOCK

- IP 65
- LH/RH
- RoHS



- Used for cabinets that require better sealing under vibrating conditions
- Provides 6 mm of compression
- Wide grip range with adjustable screw
- Provides noise isolation.
- Different drivers / cams available
- Three cam alternatives available
- The lock has been tested according to the DIN EN 61373 Category 1-B for vibration and shock.
- Working Temperature Range: -50/+80 C
- M22 Nut : should be fixed with 60 Nm
- M10 Nut: should be fixed with 10 Nm
- Sealing glue is applied to the nut threads to get extra fastness against vibration and shock
- Max load capacity: 562 N

NOB	CC	CH	CL	H GRIP	
				MIN	MAX
1	01	0	33	41	58
2	02	14	33	27	72
3	03	27.5	33	13.5	85



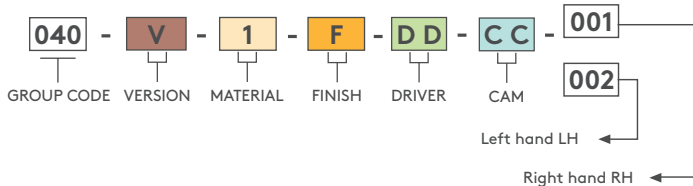
APPLICATIONS

Electric panels, machinery covers, railway applications, construction equipment.

MATERIAL

- HOUSING: Zamak DIN-EN 1774-ZnAl4Cu1
- DRIVER: Zamak DIN-EN 1774-ZnAl4Cu1
- CAM: Steel
- GASKET: Rubber

PRODUCT CODE



MATERIAL	M	FINISH	F
Zamak	1	Chrome	1
		Black coated	2

060 A3

FIXING DEVICE



- Can be ordered separately

▶ QUARTER-TURN LOCKS

MINI COMPRESSION LOCK

140



IP 65



LH/RH

RoHS

- Used for cabinets that require better sealing under vibrating conditions
- 4 mm compression ratio
- Provides noise isolation
- Driver and cam alternatives available

APPLICATIONS

Electric panels, machinery covers, railway applications, construction equipment

MATERIAL

HOUSING : Zamak DIN-EN

1774-ZnAl4Cu1

DRIVER:

Zamak DIN-EN

1774-ZnAl4Cu1

CAM:

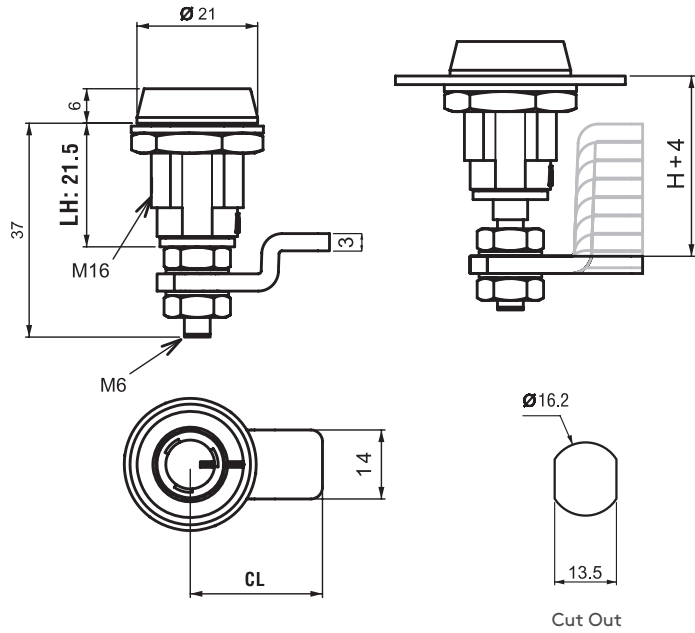
Steel

GASKET:

Rubber

FINISH

Chrome or black coated



KNOB	CC	CH	CL	H GRIP	
				MIN	MAX
1	01	0	23	26.2	29.4
2	02	1	23	25.2	28.4
3	03	3.8	23	22.4	25.6
4	04	7	23	19.2	22.4
5	05	10.2	23	16	19.2
6	06	13.4	23	12.8	16
7	07	16.6	23	9.6	12.8
8	08	19.8	23	6.4	9.6
9	09	23	23	3.2	6.4

KNOB	
DD	
94	

DRIVERS	
Tubular key	
DD	
93	
4 mm Hexagon	
DD	
64	
Slot	
DD	
45	

DUST CAP

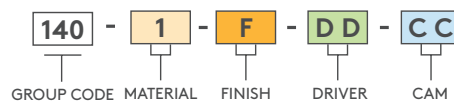
140 A1



(Order separately)

MATERIAL : Polyurethane

PRODUCT CODE



MATERIAL	M	FINISH	F
Zamak	1	Chrome	1
		Black coated	2

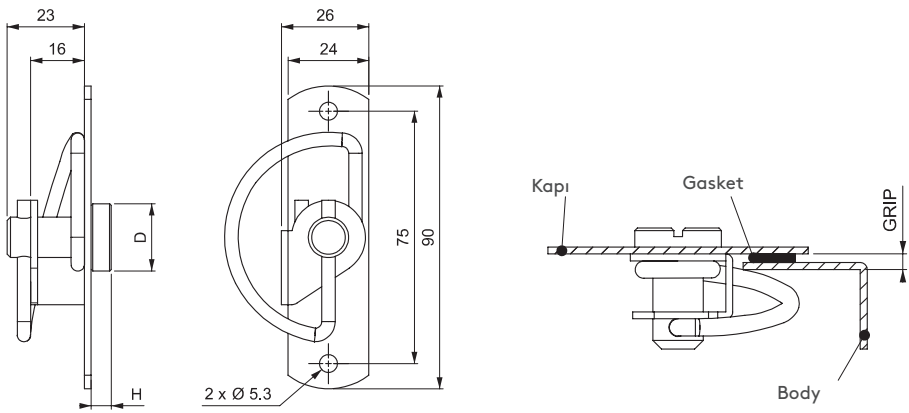
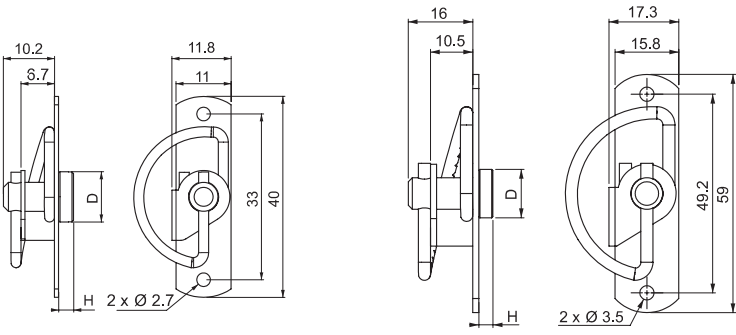


045

COMPRESSION - SPRING LATCH



RoHS



- Stainless Steel version: page 443
- Fix small panels to frame with ease
- Quarter-turn locking
- Easy assembly
- For doors with a bend of 24 mm

MATERIAL

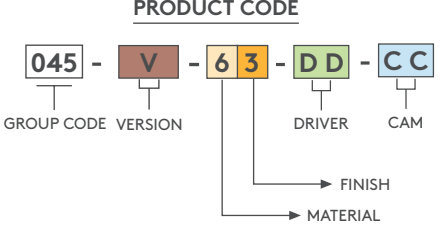
BODY: Steel
 DRIVER: Steel
 SPRING: Stainless steel

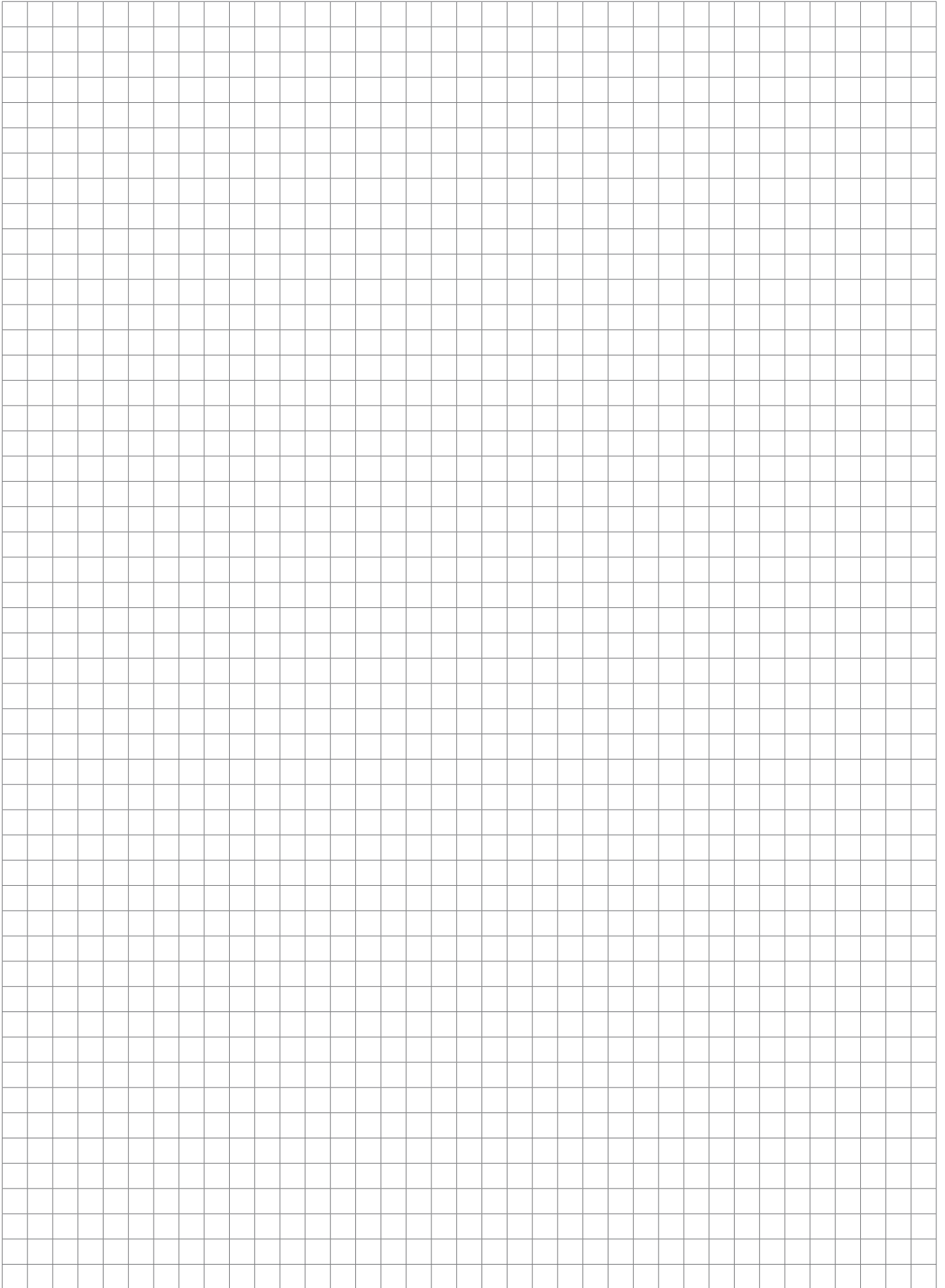
DRIVER					
DD	Driver name		Version	DØ	H
21	Hexagon Female - 4mm		2	12	3.5
31	Hexagon Female - 8mm		3	20	6
32	Slot - Large		3	20	5
22	Slot - Medium		2	12	3.5
12	Slot - Small		1	10	3
13	Knurled - Small		1	10.5	12
23	Knurled - Medium		2	13	17.5

CAM		
CC	Cam name	Version
41	Smooth Spring - Small	1
42	Smooth Spring - Medium	2
52	Serrated Spring - Medium	2
43	Smooth Spring - Large	3
53	Serrated Spring - Large	3

VERSION	
V	Product
1	Small Spring Latch
2	Medium Spring Latch
3	Large Spring Latch

MATERIAL	F	FINISH	F
Steel	6	Zinc Plated	3





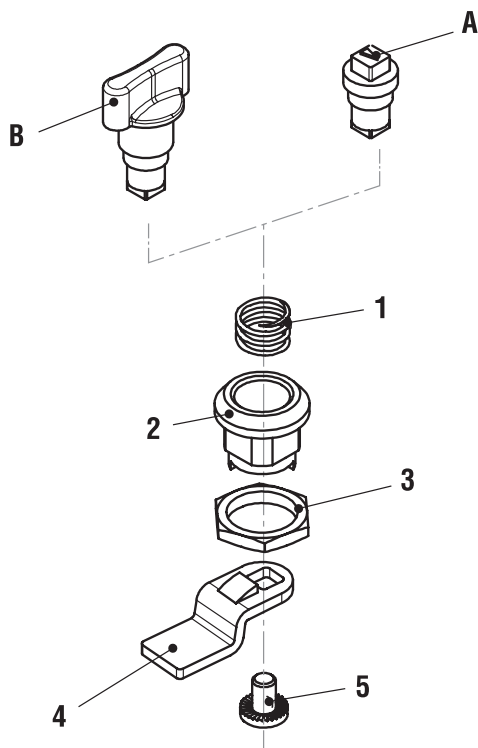


ASSEMBLY

QUARTER-TURN LOCKS

066

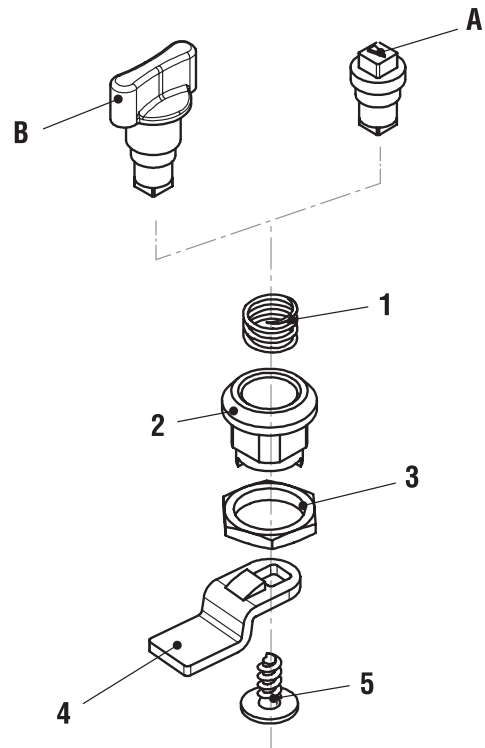
Zamak



A: Driver (066 system), zamak
B: Knob (166 system), zamak

- 1: Spring
- 2: Housing, (Ø 20) zamak
- 3: Nut, zamak
- 4: Cam
- 5: Screw

Plastic



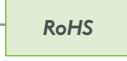
A: Driver (066 system), plastic
B: Knob (166 system), plastic

- 1: Spring
- 2: Housing, (Ø 20) plastic
- 3: Nut, zamak
- 4: Cam
- 5: Screw

▶ QUARTER-TURN LOCKS

MINI QUARTER TURN – EASY FIXING

366



- Easy assembly by clips
- Specially designed internal spring provides 1 mm torsion

APPLICATIONS

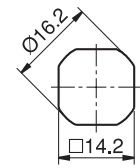
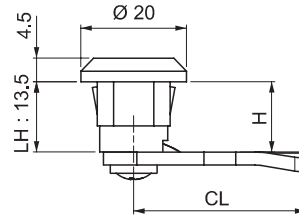
Electric panels, machinery covers

MATERIAL

HOUSING: PA6 GFR 30
 DRIVER: Zamak DIN-EN 1774-ZnAl4Cu1 or PA6 GFR 30
 CAM: Steel



Application Keys
Code: 267

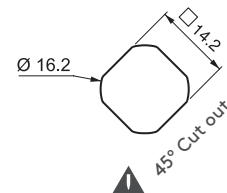


Standard cut out

V : 1



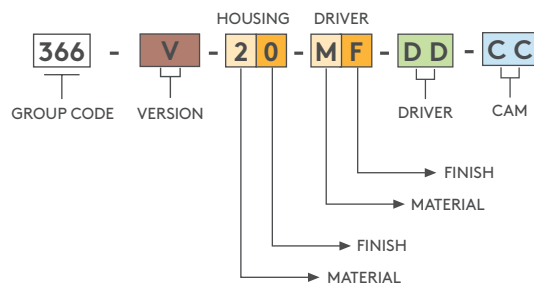
DT
Door Thickness : 0.8 mm - 1.5 mm



V : 2

DRIVERS

6 mm Square		M	F
DD		1	1
26		1	2
		2	0
7 mm Triangular		M	F
DD		1	1
		1	2
37		2	0
Slot		M	F
DD		1	1
		1	2
42		2	0



MATERIAL	M
Zamak	1
Plastic	2

FINISH	F
Chrome	1
Black coated	2
No finish	0

For cams please check page: 149



566

MINI QUARTER TURN – EASY FIXING



LH/RH



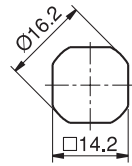
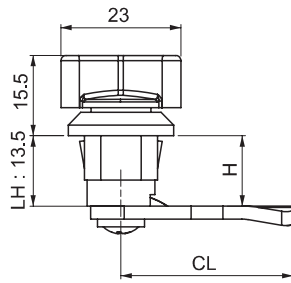
- Easy assembly by clips
- Specially designed internal spring provides 1 mm torsion

APPLICATIONS

Electric panels, machinery covers

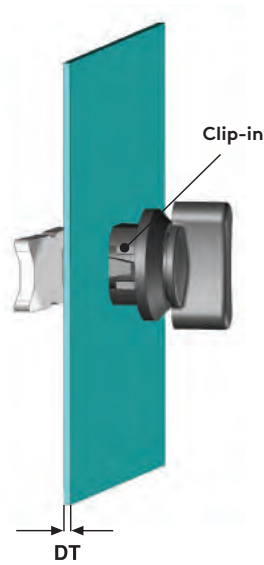
MATERIAL

HOUSING: PA6 GFR 30
 KNOB: PA6 GFR 30
 DRIVER: Zamak DIN-EN 1774-ZnAl4Cu1 or PA6 GFR 30
 CAM: Steel

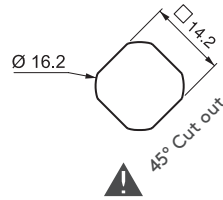


Standard cut out

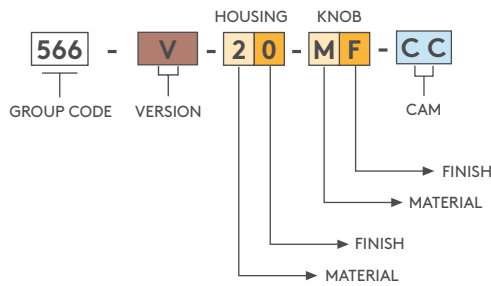
V : 1



Door Thickness : 0.8 mm - 1.5 mm



V : 2



MATERIAL	M
Zamak	1
Plastic	2

FINISH	F
Chrome	1
Black coated	2
No finish	0

For cams please check page: 149

▶ QUARTER-TURN LOCKS

MINI QUARTER TURN - SPRING LOADED

066

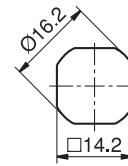
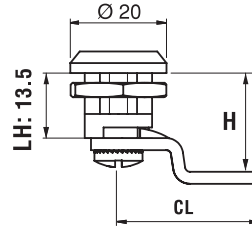


IP 65



LH/RH

RoHS



Cut Out

- Stainless steel version: page 436
- Specially designed internal spring provides 1 mm torsion
- Sealing washer not supplied

APPLICATIONS

Electric panels, machinery covers

MATERIAL

HOUSING: Zamak DIN-EN 1774-ZnAl4Cu1 or PA6 GFR 30
 DRIVER: Zamak DIN-EN 1774-ZnAl4Cu1 or PA6 GFR 30
 CAM: Steel

066 1-1-DD-CC
ZAMAK - CHROME

066 1-2-DD-CC
ZAMAK - BLACK COATED

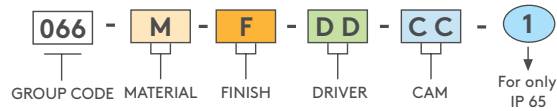
066 2-0-DD-CC
PLASTIC



Application Keys
Code: 267

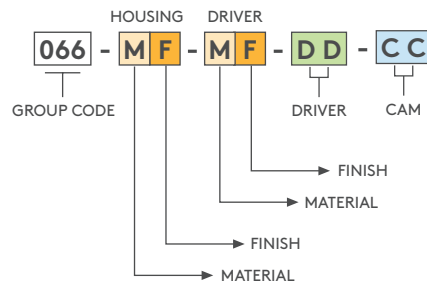
DRIVERS			
6 mm Square		M	F
DD		1	1
		1	2
26		2	0
7 mm Triangular		M	F
DD		1	1
		1	2
37		2	0
Slot		M	F
DD		1	1
		1	2
42		2	0

PRODUCT CODE

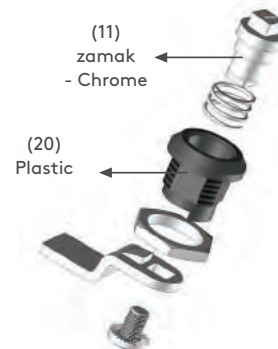


MATERIAL		FINISH	
	M		F
Zamak	1	Chrome	1
Plastic	2	Black coated	2
		No finish	0

For mixed material and finish lock orders please use the following coding system



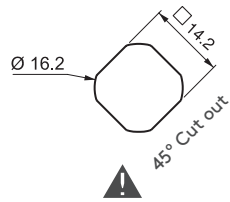
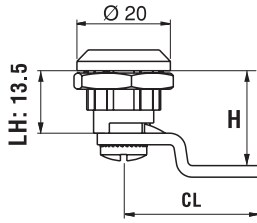
EXAMPLE



PRODUCT CODE
066 20-11-42-11

For cams please check page: 149

For keys please check page: 162



266

MINI QUARTER TURN –
SPRING LOADED

IP 65



LH/RH

RoHS

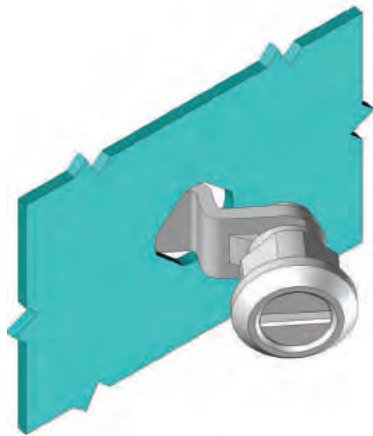


- Specially designed internal spring provides 1 mm torsion
- Sealing washer not supplied

266 1-1-DD-CC
ZAMAK – CHROME

266 1-2-DD-CC
ZAMAK – BLACK COATED

266 2-0-DD-CC
PLASTIC



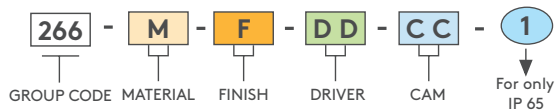
APPLICATIONS

Electric panels, machinery covers

MATERIAL

HOUSING: Zamak DIN-EN 1774-ZnAl4Cu1 or PA6 GFR 30
DRIVER: Zamak DIN-EN 1774-ZnAl4Cu1 or PA6 GFR 30
CAM: Steel

PRODUCT CODE



MATERIAL	M	FINISH	F
Zamak	1	Chrome	1
		Black coated	2
Plastic	2	No finish	0

For cams please check page: 149

For keys please check page: 162

▶ QUARTER-TURN LOCKS

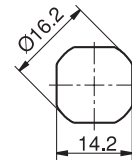
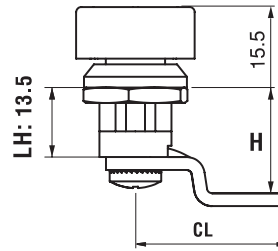
MINI QUARTER TURN - WING KNOB

166



LH/RH

RoHS



Cut Out

- Wing operates lock and serves as knob
- Sealing washer not supplied

APPLICATIONS

Electric panels, machinery covers

MATERIAL

HOUSING: Zamak DIN-EN 1774-ZnAl4Cu1 or PA6 GFR 30
 KNOB: Zamak DIN-EN 1774-ZnAl4Cu1 or PA6 GFR 30
 CAM: Steel

166 1-1-CC
ZAMAK - CHROME



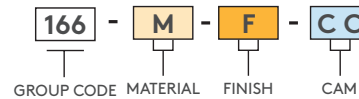
166 1-2-CC
ZAMAK - BLACK COATED



166 2-0-CC
PLASTIC

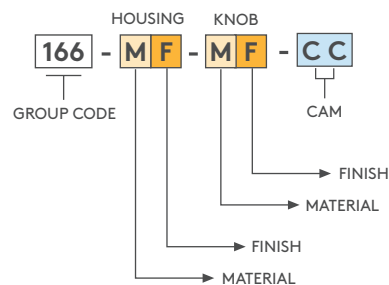


PRODUCT CODE

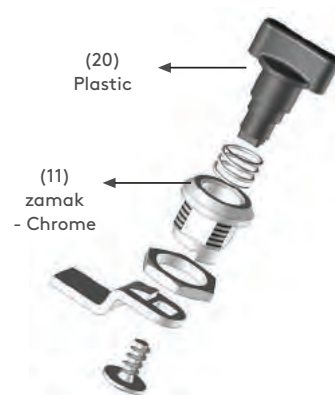


MATERIAL	M	FINISH	F
Zamak	1	Chrome	1
	2	Black coated	2
Plastic		No finish	0

For mixed material and finish lock orders, please use the following coding system:



EXAMPLE



PRODUCT CODE
166 11-20-11

For cams please check page: 149



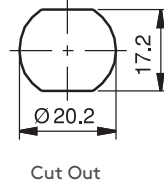
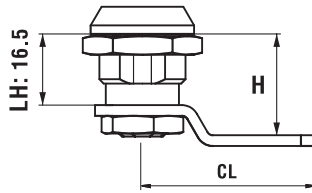
050

CAM LOCK – BALL



LH/RH

RoHS



- Special index action to assist locking and keep cam in position
- Stable in open position

APPLICATIONS

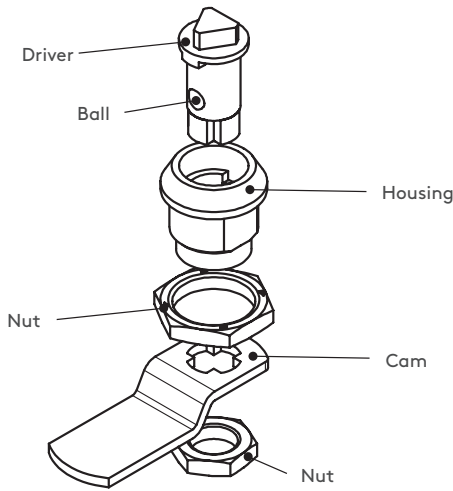
Electric panels, machinery covers

MATERIAL

HOUSING: Zamak DIN-EN 1774-ZnAl4Cu1
CAM: Steel

FINISH

Chrome plated



DRIVERS	
	Slot
DD	
83	
9 mm Triangular	
DD	
39	
6 mm hexagon	
DD	
66	

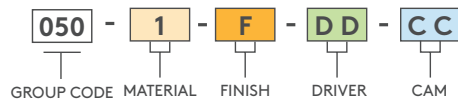
Application keys:



267-39

169-66

PRODUCT CODE



MATERIAL	M	FINISH	F
Zamak	1	Chrome	1
		Black coated	2

For cams please check page: 149

▶ QUARTER-TURN LOCKS

PADLOCKABLE – KNOB

055



LH

RH

RoHS



- Padlockable version
- Padlock shackle diameter
Minimum 4 mm – Maximum 6 mm

APPLICATIONS

Wooden cupboard

MATERIAL

HOUSING: Zamak DIN-EN 1774-ZnAl4Cu1

KNOB: Zamak DIN-EN 1774-ZnAl4Cu1

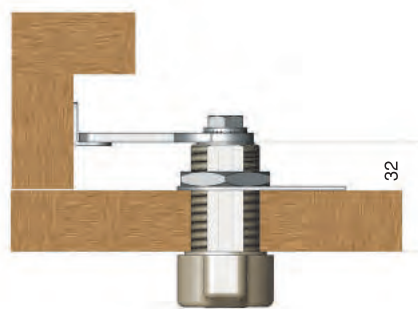
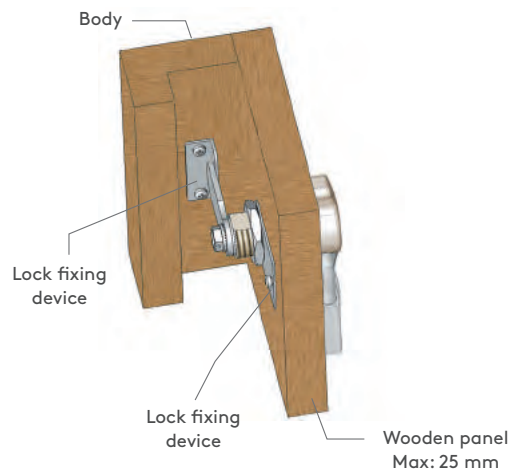
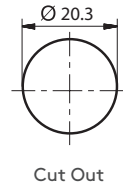
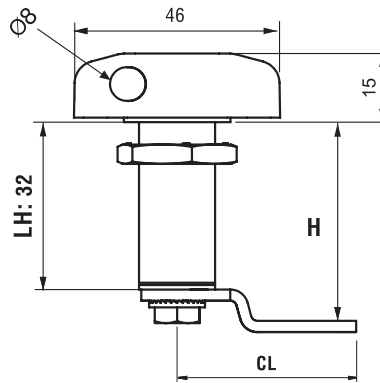
CAM: Steel

FINISH

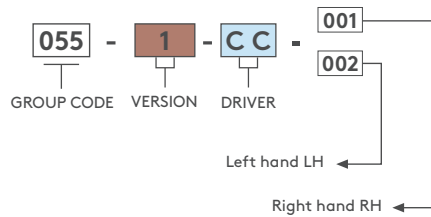
Nickel Plated

⚠ Note: Not suitable to use with long-shackle padlocks.

V : 1



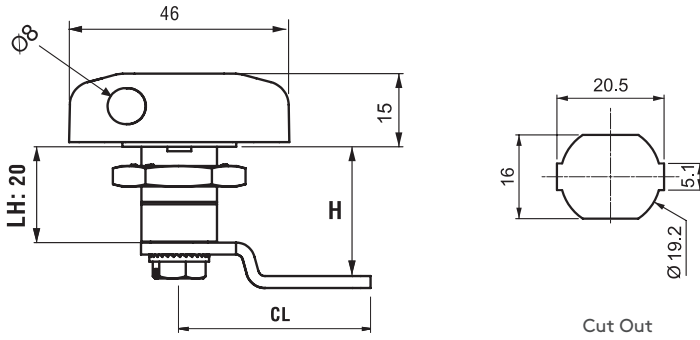
PRODUCT CODE



For cams please check page: 149



V : 3



055

PADLOCKABLE - KNOB



LH

RH

RoHS



- Padlockable version
- Padlock shackle diameter
Minimum 4 mm – Maximum 6 mm

APPLICATIONS

Steel cupboard

MATERIAL

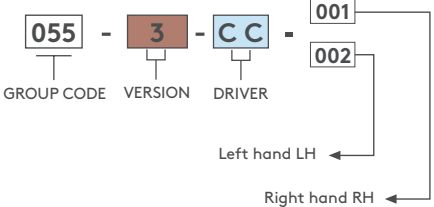
HOUSING: Zamak DIN-EN 1774-ZnAl4Cu1
 KNOB: Zamak DIN-EN 1774-ZnAl4Cu1
 CAM: Steel

FINISH

Nickel Plated

⚠ Note: Not suitable to use with long-shackle padlocks.

PRODUCT CODE



For cams please check page: 149

▶ QUARTER-TURN LOCKS

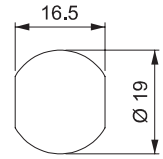
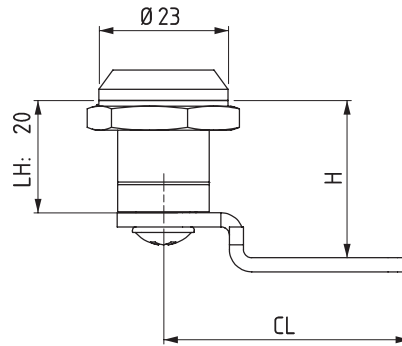
QUARTER-TURN LOCK

350



LH/RH

RoHS



Cut Out

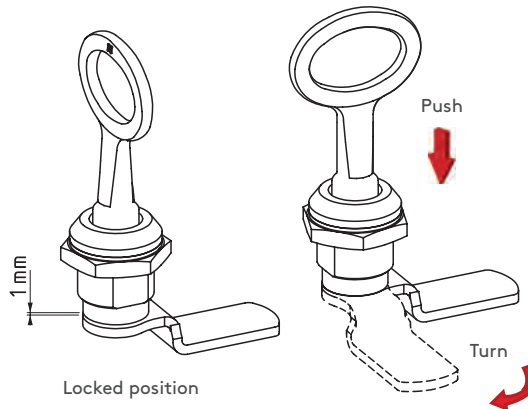
- Vibration proof quarter turn
- Opening the lock only possible by pushing and rotating the driver by the key
- Nickel plating is an option

APPLICATIONS

Electric panels, machinery covers

MATERIAL

HOUSING: Zamak DIN-EN 1774-ZnAl4Cu1
 DRIVER: Zamak DIN-EN 1774-ZnAl4Cu1
 NUT: Zamak DIN-EN 1774-ZnAl4Cu1
 CAM: Steel

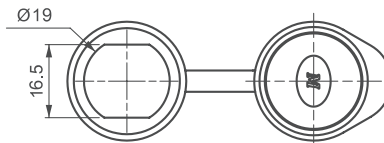


DRIVERS

		M	F
3 mm Double Bit			
DD		1	1
		1	2
13		1	4
7 mm Triangular		1	1
DD		1	1
		1	2
37		1	4
7 mm Square			
DD		1	1
		1	2
27		1	4
Slot			
DD		1	1
		1	2
42		1	4

DUST CAP

050 A4



PRODUCT CODE

350 - **1** - **F** - **DD** - **CC**
 GROUP CODE MATERIAL FINISH DRIVER CAM

MATERIAL	M
Zamak	1

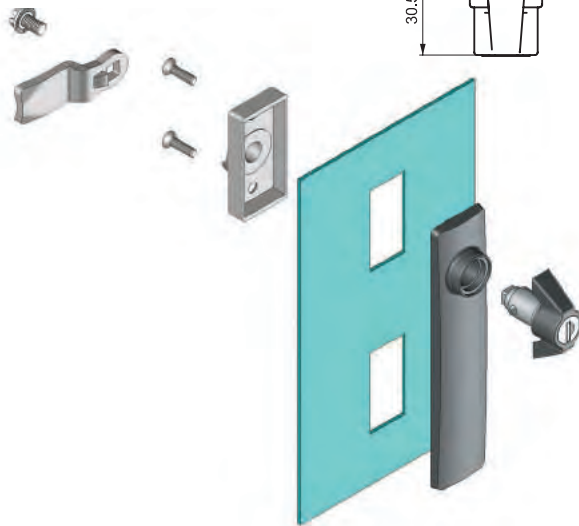
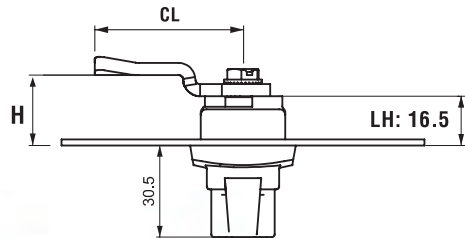
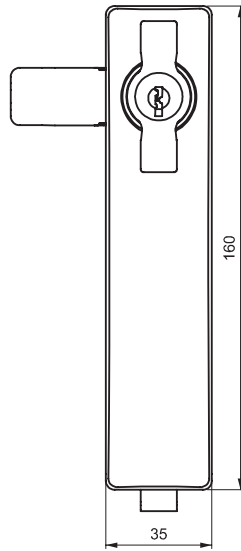
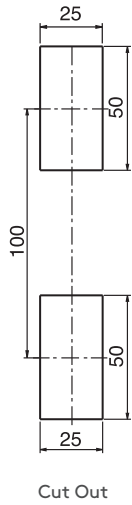
FINISH	F
Chrome plated	1
Black coated	2
Nickel plated	4

For cams please check page: 149

For keys please check page: 162



V : 6



203

QUARTER TURN - WING KNOB



LH/RH

RoHS



IP 54



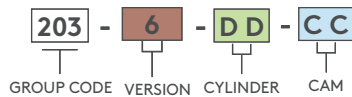
APPLICATIONS


Electric panels, machinery covers

MATERIAL

BODY: PA6 GFR 30
 KNOB: Zamak DIN-EN 1774-ZnAl4Cu1 or PA6 GFR 30
 CAM: Steel
 GASKET: Polyurethane

PRODUCT CODE



CYLINDER	SPECIFICATIONS	DD
	No cylinder	00
	Keyed alike	01
	Keyed differ	02
	Euro key (5333)	05
	CH751 (Stainless steel dust cap)	07

For cams please check pages: 144 - 145

▶ QUARTER-TURN LOCKS

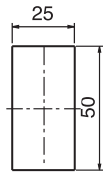
QUARTER-TURN LOCK

103

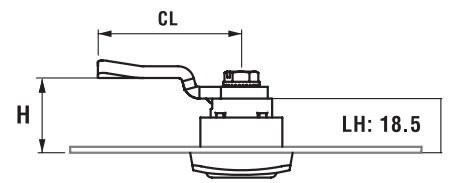
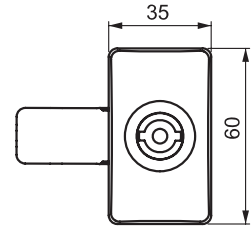
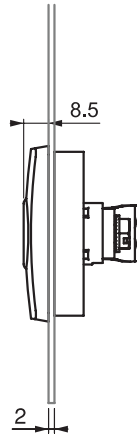


LH/RH

RoHS



Cut Out

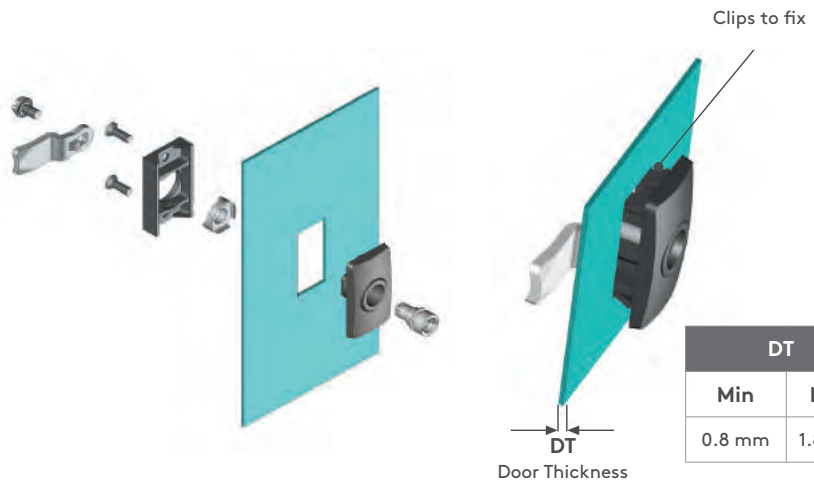


APPLICATIONS

Electric panels, machinery covers

MATERIAL

BODY: PA6 GFR 30
 DRIVER: Zamak DIN-EN 1774-ZnAl4Cu1 or PA6 GFR 30
 CAM: Steel
 GASKET: Polyurethane

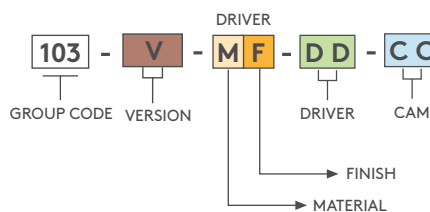


V : 1

V : 6

Clips to fix

PRODUCT CODE



- For cams please check pages: 144 - 145
- For drivers please check page: 166
- For keys please check pages : 162 - 163



203

QUARTER-TURN LOCK

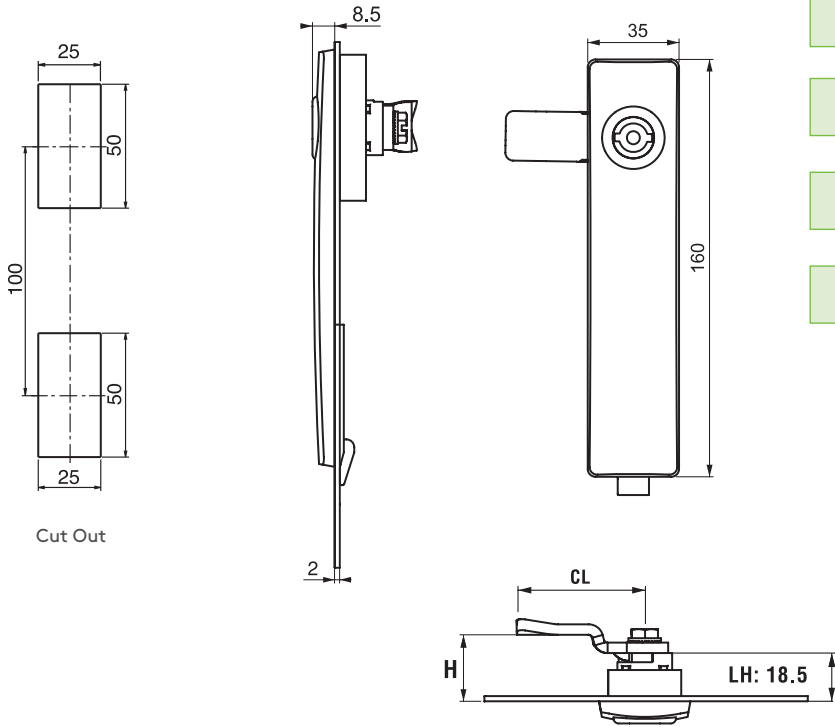


LH/RH

RoHS



IP 54



Cut Out



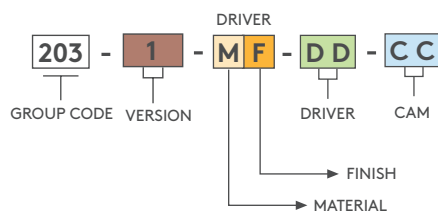
APPLICATIONS

Electric panels, machinery covers

MATERIAL

BODY: PA6 GFR 30
 DRIVER: Zamak DIN-EN 1774-ZnAl4Cu1 or PA6 GFR 30
 CAM: Steel
 GASKET: Polyurethane

PRODUCT CODE



- For cams please check pages: 144 - 145
- For drivers please check page: 166
- For keys please check pages : 162 - 163



LOCKS



CAM LOCKS

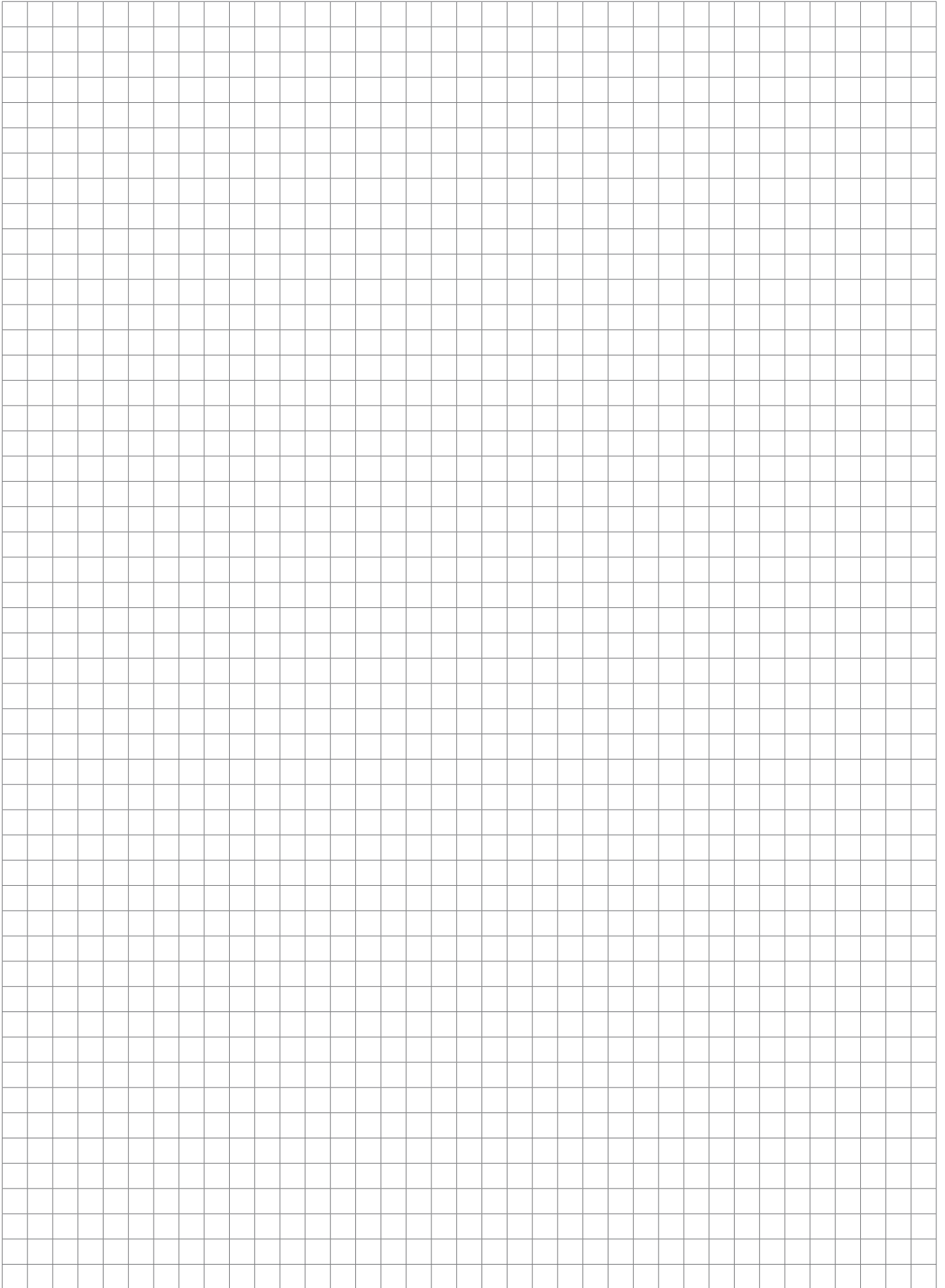
GROUP CODE	PRODUCT NAME
063	CAM LOCK
163	SPRING CAM LOCK
261	KNOB LOCK
065	CAM LOCK – WING KNOB
165	MINI CAM LOCK – WING KNOB
110	CAM LOCK – T HANDLE
111	CAM LOCK – L HANDLE
064	CAM LOCK – T HANDLE
064	CAM LOCK – L HANDLE
240	COMPRESSION LOCK – T HANDLE
340	COMPRESSION LOCK – WING KNOB
050	CAM LOCK
150	CAM LOCK
250	CAM LOCK
057	MINI CAM LOCK
157	MINI CAM LOCK
257	MINI CAM LOCK
056	CAM LOCK
	ACCESSORIES



ESSENTRA

PAGE	
215	
216	
217	
218	
219	
220	
221	
222	
223	
224 - 225	
226 - 227	
228 - 229	
230	
231	
232	
233	
234	
235	
236	







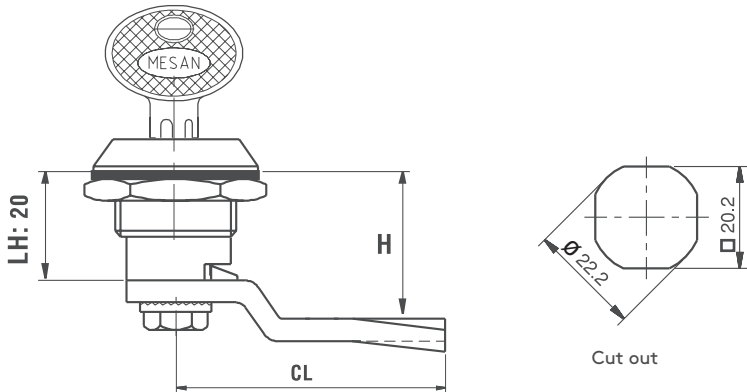
063

CAM LOCK



LH/RH

RoHS



- Quarter-turn operation
- Body length 20.5 mm (Please be sure to order appropriate cam)
- Available in all die-cast zinc alloy or with polyamide housing

063 1-1-DD-CC
ZAMAK - CHROME

063 1-2-DD-CC
ZAMAK - BLACK COATED

063 2-0-DD-CC
PLASTIC



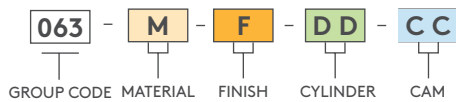
APPLICATIONS

Electric panels, machinery covers

MATERIAL

HOUSING: Zamak DIN-EN 1774-ZnAl4Cu1 or PA6 GFR 30
CAM: Steel or Plastic
GASKET: Rubber

PRODUCT CODE



MATERIAL	M	FINISH	F
Zamak	1	Chrome	1
		Black coated	2
Plastic	2	No finish	0

CYLINDER	SPECIFICATIONS	DD
	Keyed alike	01
	Keyed differ	02
	Stainless steel dust cap (Keyed alike)	03
	Stainless steel dust cap (Keyed differ)	32
	Master System	04
	Euro key (5333)	05
	CH751 (Stainless steel dust cap)	07

For cams please check pages: 144 - 145

SPRING CAM LOCK

163



- 
- LH**
- RH**
- RoHS**

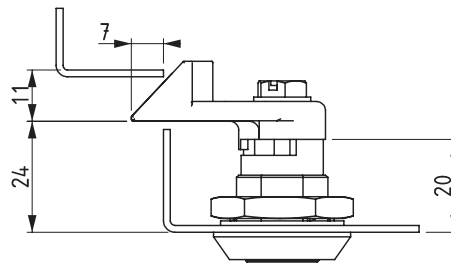
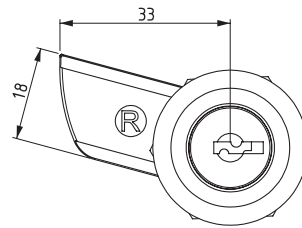
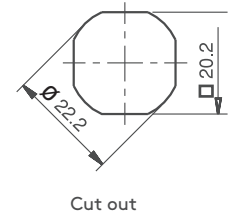
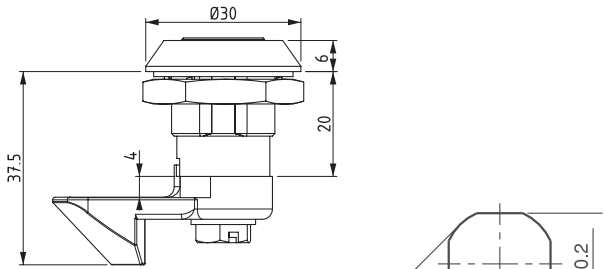
- Spring-loaded cam provides depress-to-lock action
- Distance between inside of lock face and front of cam fixed at 24 mm
- There is no IP 65 version of this lock, due to spring loaded cam

APPLICATIONS

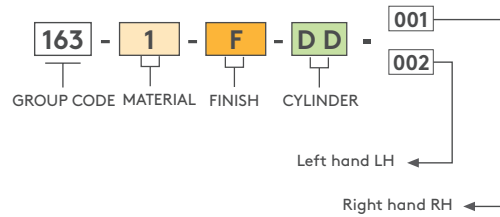
Electric panels, machinery covers

MATERIAL

- HOUSING:** Zamak DIN-EN 1774-ZnAl4Cu1
- CYLINDER:** Zamak DIN-EN 1774-ZnAl4Cu11
- CAM:** Steel
- GASKET:** Rubber




PRODUCT CODE



MATERIAL	M
Zamak	1

FINISH	F
Chrome	1
Black coated	2

CYLINDER	SPECIFICATIONS	DD
	Keyed alike	01
	Keyed differ	02
	Stainless steel dust cap (Keyed alike)	03
	Stainless steel dust cap (Keyed differ)	32
	Master System	04
	Euro key (5333)	05
	CH751 (Stainless steel dust cap)	07



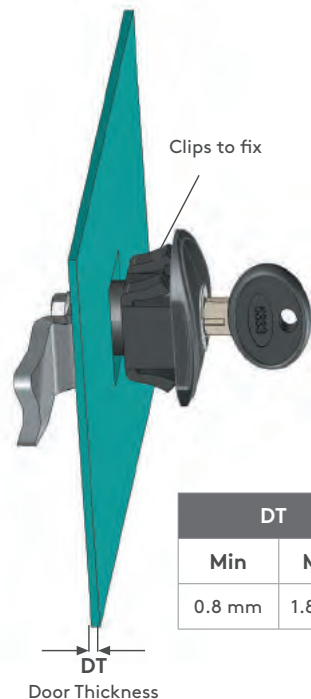
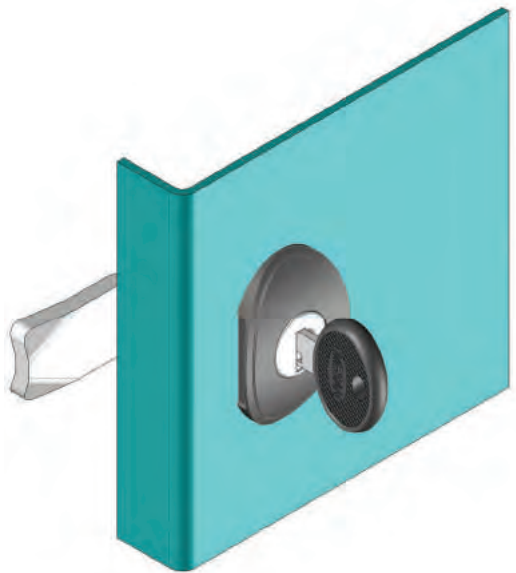
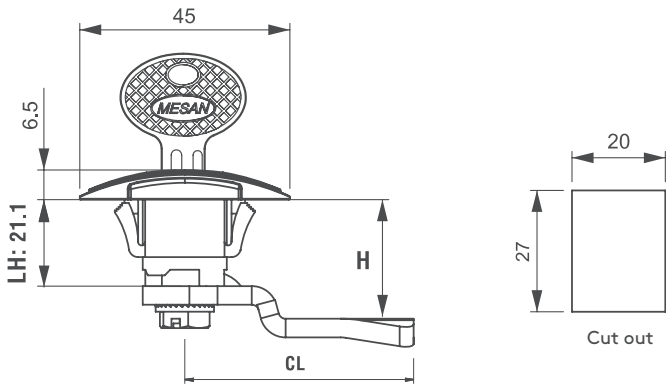
261

KNOB LOCK



LH/RH

RoHS



DT	
Min	Max
0.8 mm	1.8 mm

- Clip fixing for easy assembly
- Mounting nut not required
- Special 20 mm x 26 mm cut out
- No IP 65 version of this lock
- 1.8 mm maximum panel thickness

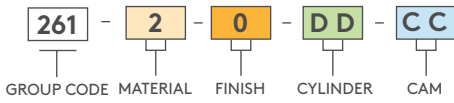
APPLICATIONS

Electric panels, machinery covers

MATERIAL

HOUSING: Polyamide DIN-EN ISO 1043-1 PA6 GFR 30
 CAM: Steel or Plastic
 GASKET: Rubber

PRODUCT CODE



CYLINDER	SPECIFICATIONS	DD
	Keyed alike	01
	Keyed differ	02
	Stainless steel dust cap (Keyed alike)	03
	Stainless steel dust cap (Keyed differ)	32
	Master System	04
	Euro key (5333)	05
	CH751 (Stainless steel dust cap)	07

For cams please check pages: 144 - 145

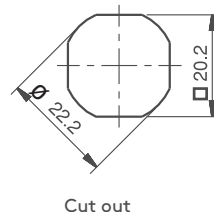
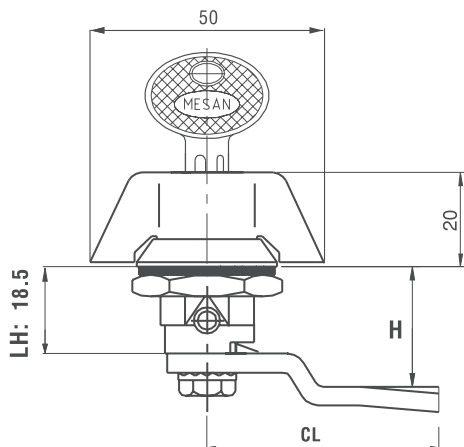
CAM LOCK – WING KNOB

065



LH/RH

RoHS



Cut out

- Stainless steel version: page 446
- Quarter-turn operation
- Available in all die-cast zinc alloy or with polyamide wing knob and housing
- Optional blind version

APPLICATIONS

Electric panels, machinery covers

MATERIAL

HOUSING: Zamak DIN-EN 1774-ZnAl4Cu1
CAM: Steel or Plastic
GASKET: Rubber

065 1-1-DD-CC
ZAMAK – CHROME



065 1-2-DD-CC
ZAMAK – BLACK COATED



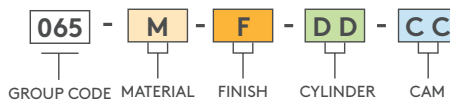
065 2-0-DD-CC
PLASTIC



No cylinder '00'



PRODUCT CODE



MATERIAL	M	FINISH	F
Zamak	1	Chrome	1
		Black coated	2
Plastic	2	No finish	0

CYLINDER	SPECIFICATIONS	DD
	No cylinder	00
	Keyed alike	01
	Keyed differ	02
	Stainless steel dust cap (Keyed alike)	03
	Stainless steel dust cap (Keyed differ)	32
	Master System	04
	Euro key (5333)	05
	CH751 (Stainless steel dust cap)	07

For cams please check pages: 144 - 145



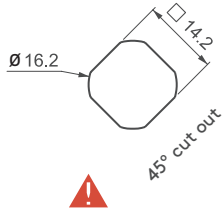
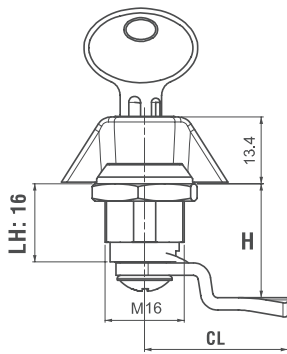
165

MINI CAM LOCK – WING KNOB



LH/RH

RoHS



- Quarter-turn operation
- Available all die-cast zinc alloy
- Suitable for small cabinets

165 1-1-DD-CC
ZAMAK – CHROME

165 1-2-DD-CC
ZAMAK – BLACK COATED



APPLICATIONS

Electric panels, machinery covers

MATERIAL

HOUSING: Zamak DIN-EN

1774-ZnAl4Cu1

KNOB: Zamak DIN-EN

1774-ZnAl4Cu1

CAM: Steel

Steel

PRODUCT CODE



GROUP CODE MATERIAL FINISH CYLINDER CAM

MATERIAL	M	FINISH	F
Zamak	1	Chrome	1
		Black coated	2

CYLINDER	SPECIFICATIONS	DD
	Stainless steel dust cap (Keyed alike)	03
	Stainless steel dust cap (Keyed differ)	32

For cams please check page: 149

CAM LOCKS

CAM LOCK – T HANDLE

110

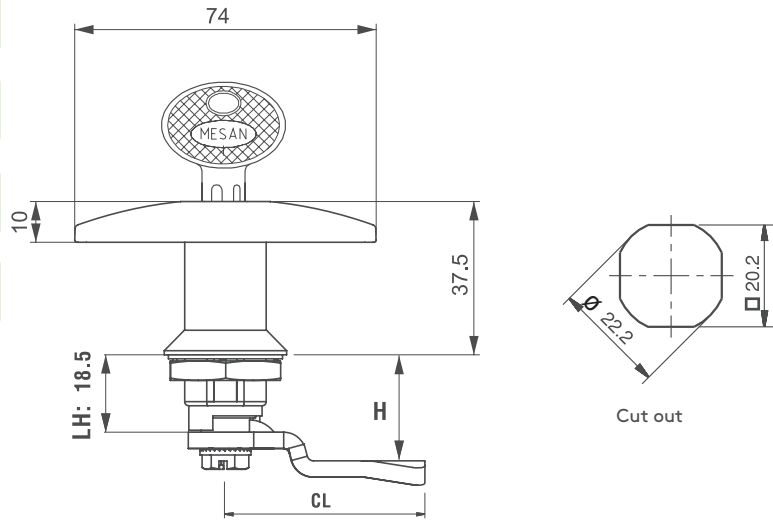


IP 65



LH/RH

RoHS



- Stainless steel version: page 444
- Quarter-turn operation
- Available in all die-cast zinc alloy or with polyamide wing handle and housing
- Optional blind version

APPLICATIONS

Electric panels, machinery covers

MATERIAL

HOUSING: Zamak DIN-EN 1774-ZnAl4Cu1

CAM: Steel or Plastic
GASKET: Rubber

110 1-1-DD-CC
ZAMAK – CHROME



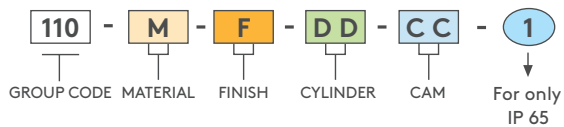
110 1-2-DD-CC
ZAMAK – BLACK COATED



110 2-0-DD-CC
PLASTIC



PRODUCT CODE



No cylinder '00'



MATERIAL		FINISH	
	M		F
Zamak	1	Chrome	1
		Black coated	2
Plastic	2	No finish	0

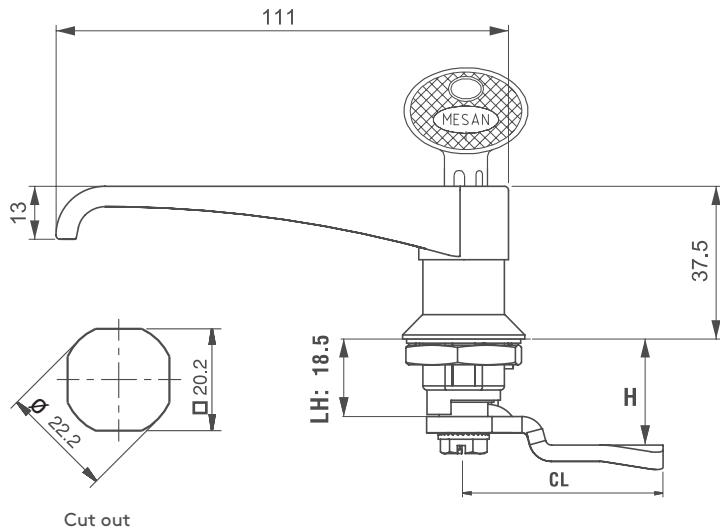
CYLINDER	SPECIFICATIONS	DD
	No cylinder	00
	Keyed alike	01
	Keyed differ	02
	Euro key (5333)	05
	CH751 (Stainless steel dust cap)	07

For cams please check pages: 144 - 145



111

CAM LOCK - L HANDLE



- Stainless steel version: page 445
- Quarter-turn operation
- Available in all die-cast zinc alloy or with polyamide wing handle and housing
- Optional blind version

APPLICATIONS
Electric panels, machinery covers

MATERIAL
HOUSING: Zamak DIN-EN 1774-ZnAl4Cu1
CAM: Steel or Plastic
GASKET: Rubber

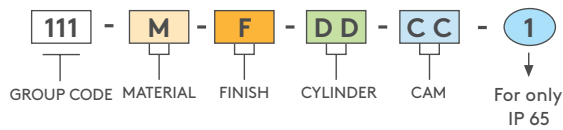
111 1-1-DD-CC
ZAMAK - CHROME

111 1-2-DD-CC
ZAMAK - BLACK COATED

111 2-0-DD-CC
PLASTIC



PRODUCT CODE



MATERIAL	M	FINISH	F
Zamak	1	Chrome	1
		Black coated	2
Plastic	2	No finish	0

CYLINDER	SPECIFICATIONS	DD
	No cylinder	00
	Keyed alike	01
	Keyed differ	02
	Euro key (5333)	05
	CH751 (Stainless steel dust cap)	07

No cylinder '00'



For cams please check pages: 144 - 145

CAM LOCKS

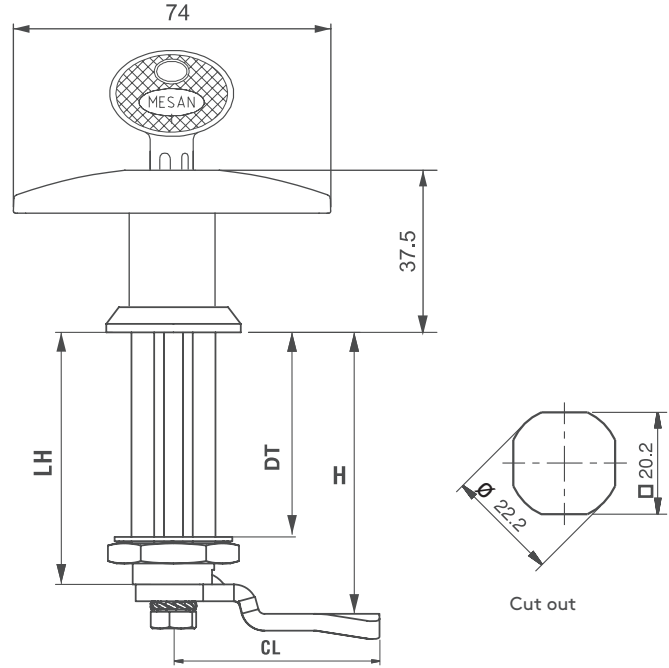
CAM LOCK - T HANDLE

064



LH/RH

RoHS



DT	LH
20	30
30	40
40	50
50	60

- For soundproof or isolated doors
- Supplied with adapter suitable to standard housing
- Available in all die-cast zinc alloy or with polyamide wing handle and housing
- Optional blind version

APPLICATIONS

Electric panels, machinery covers

MATERIAL

HOUSING: Zamak DIN-EN 1774-ZnAl4Cu1
 CAM: Steel or Plastic
 GASKET: Rubber

064 110-DT-1-1-DD-CC
 ZAMAK - CHROME

064 110-DT-1-2-DD-CC
 ZAMAK - BLACK COATED

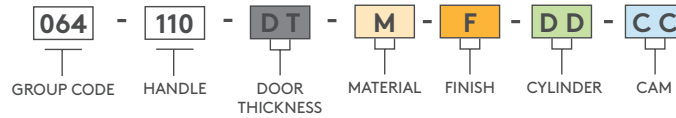
064 110-DT-2-0-DD-CC
 PLASTIC



No cylinder '00'



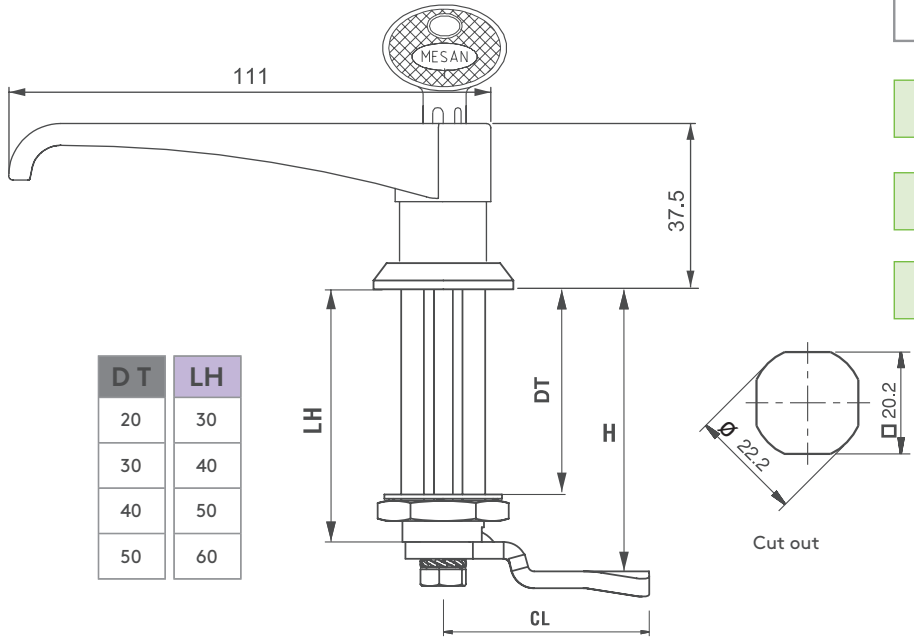
PRODUCT CODE



MATERIAL	M	FINISH	F
Zamak	1	Chrome	1
		Black coated	2
Plastic	2	No finish	0

CYLINDER	SPECIFICATIONS	DD
	No cylinder	00
	Keyed alike	01
	Keyed differ	02
	Euro key (5333)	05
	CH751 (Stainless steel dust cap)	07

For cams please check pages: 144 - 145



DT	LH
20	30
30	40
40	50
50	60

- 064
-
- LH/RH
- RoHS

CAM LOCK – L HANDLE



064 111-DT-1-1-DD-CC
ZAMAK – CHROME

064 111-DT-1-2-DD-CC
ZAMAK – BLACK COATED

064 111-DT-2-0-DD-CC
PLASTIC



- Primarily for soundproof or isolated doors
- Supplied with adapter suitable to standard housing
- Available in all die-cast zinc alloy or with polyamide wing handle and housing
- Optional blind version

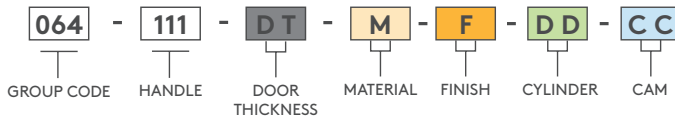
APPLICATIONS

Electric panels, machinery covers

MATERIAL

HOUSING: Zamak DIN-EN 1774-ZnAl4Cu1
CAM: Steel or Plastic
GASKET: Rubber

PRODUCT CODE



MATERIAL	M	FINISH	F
Zamak	1	Chrome	1
		Black coated	2
Plastic	2	No finish	0

CYLINDER	SPECIFICATIONS	DD
	No cylinder	00
	Keyed alike	01
	Keyed differ	02
	Euro key (5333)	05
	CH751 (Stainless steel dust cap)	07

No cylinder '00'



For cams please check page: 144 - 145

CAM LOCKS

COMPRESSION LOCK - T HANDLE

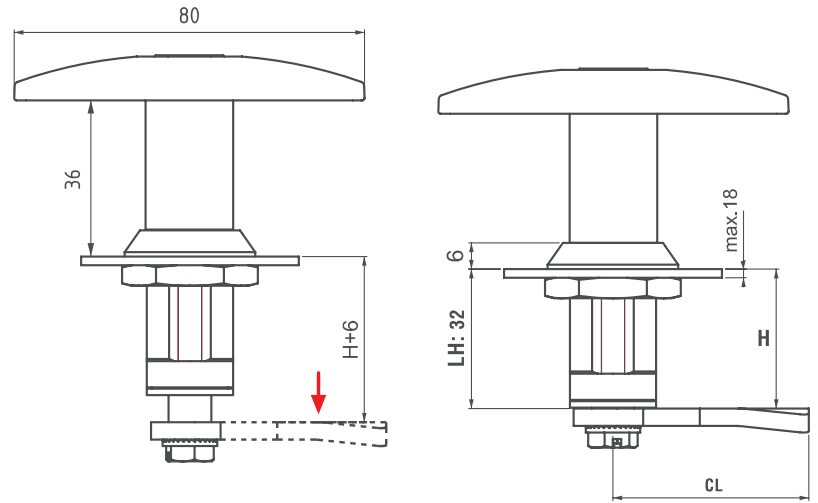
240

IP 65



LH/RH

RoHS



- Used for cabinets require better sealing under vibrating conditions
- Provides 6 mm of compression
- Provides noise isolation
- Standard cams without stopper required for these locks

APPLICATIONS

Railway applications, construction equipment, electric panels, machinery covers

MATERIAL

HOUSING: Zamak DIN-EN 1774-ZnAl4Cu1

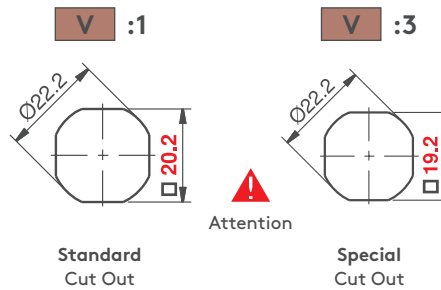
HANDLE: Zamak DIN-EN 1774-ZnAl4Cu1

CAM: Steel

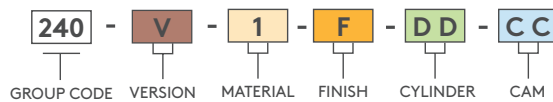
GASKET: Rubber

FINISH

Chrome or black coated



PRODUCT CODE



MATERIAL	M	FINISH	F
Zamak	1	Chrome	1
		Black coated	2

CYLINDER	SPECIFICATIONS	DD
	No cylinder	00
	Stainless steel dust cap (Keyed alike)	03
	Stainless steel dust cap (Keyed differ)	32
	CH751 (Stainless steel dust cap)	07



For cams please check pages: 146 - 147



240

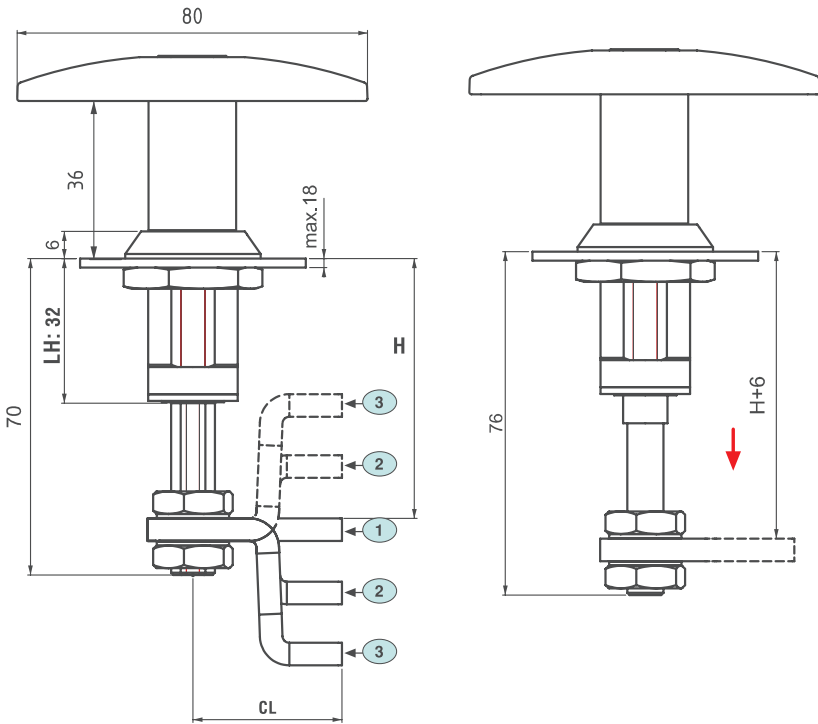
COMPRESSION LOCK – T HANDLE

IP 65

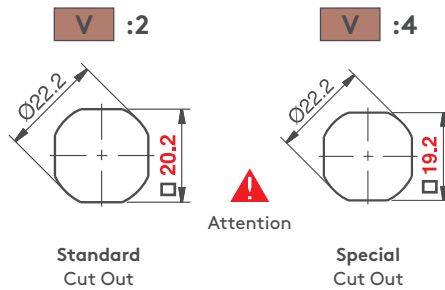


LH/RH

RoHS



KNOB	CC	CH	CL	H GRIP	
				MIN	MAX
1	01	0	33	41	58
2	02	14	33	27	72
3	03	27.5	33	13.5	85



- For the cabinets that require better sealing under vibrating conditions
- Provides 6 mm of compression
- Wide grip range with adjustable screw
- Provides noise isolation
- Three cam alternatives available

APPLICATIONS

Railway applications, construction equipment, electric panels, machinery covers

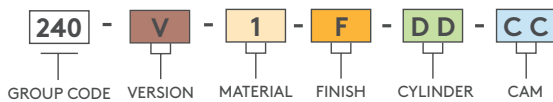
MATERIAL

HOUSING: Zamak DIN-EN 1774-ZnAl4Cu1
 HANDLE: Zamak DIN-EN 1774-ZnAl4Cu1
 CAM: Steel
 GASKET: Rubber

FINISH

Chrome or black coated

PRODUCT CODE



MATERIAL	M	FINISH	F
Zamak	1	Chrome	1
		Black coated	2

060 A3

FIXING DEVICE



- Can be ordered separately

CYLINDER	SPECIFICATIONS	DD
	No cylinder	00
	Stainless steel dust cap (Keyed alike)	03
	Stainless steel dust cap (Keyed differ)	32
	CH751 (Stainless steel dust cap)	07

CAM LOCKS

COMPRESSION LOCK - WING KNOB

340



LH/RH

RoHS

- Used for cabinets that require better sealing under vibrating conditions
- Provides 6 mm of compression
- Provides noise isolation
- Standard cams without stopper required for these locks

APPLICATIONS

Railway applications, construction equipment, electric panels, machinery covers

MATERIAL

HOUSING: Zamak DIN-EN 1774-ZnAl4Cu1

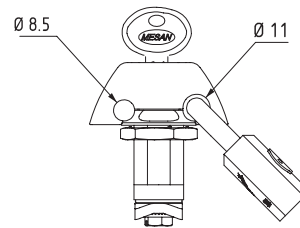
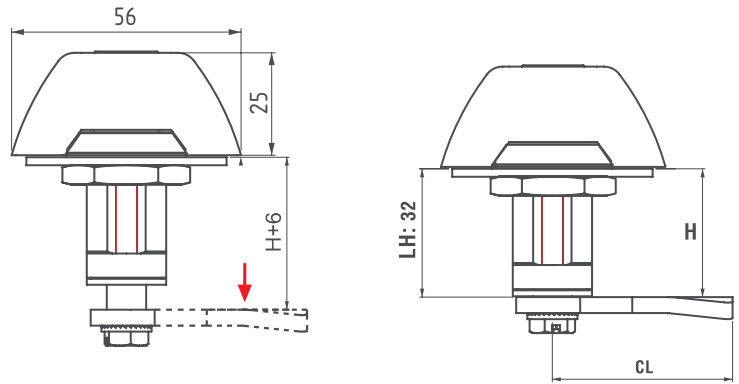
KNOB: Zamak DIN-EN 1774-ZnAl4Cu1

CAM: Steel

GASKET: Rubber

FINISH

Chrome or black coated

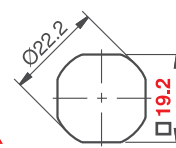
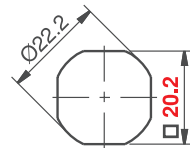


1

Padlock application

V :1

V :3

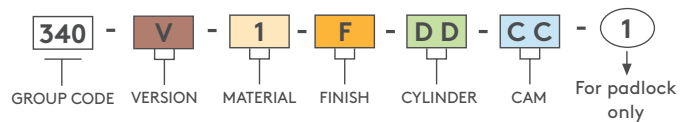


Attention

Standard Cut Out

Special Cut Out

PRODUCT CODE

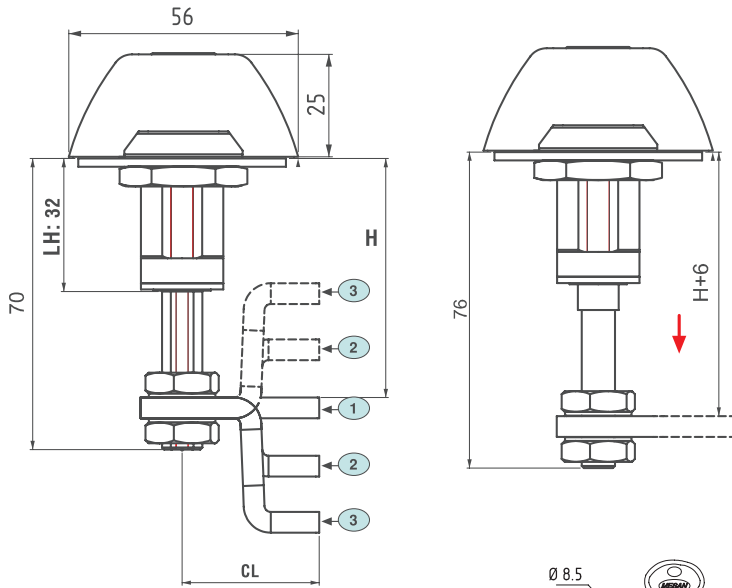


MATERIAL	M
Zamak	1

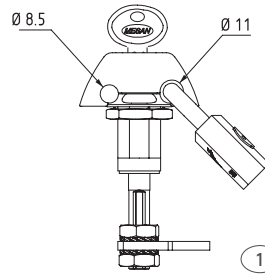
FINISH	F
Chrome	1
Black coated	2

CYLINDER	SPECIFICATIONS	DD
	No cylinder	00
	Stainless steel dust cap (Keyed alike)	03
	Stainless steel dust cap (Keyed differ)	32
	CH751 (Stainless steel dust cap)	07

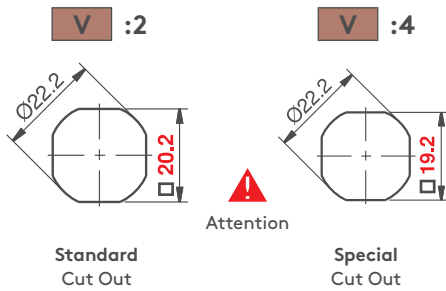
For cams please check pages: 146 - 147



KNOB	CC	CH	CL	H GRIP MIN	H GRIP MAX
1	01	0	33	41	58
2	02	14	33	27	72
3	03	27.5	33	13.5	85



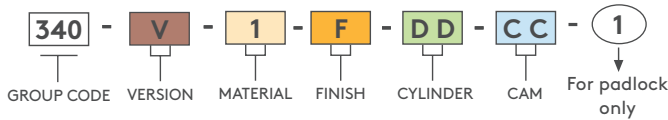
Padlock application



Standard Cut Out

Special Cut Out

PRODUCT CODE



MATERIAL	M	FINISH	F
Zamak	1	Chrome	1
		Black coated	2

CYLINDER	SPECIFICATIONS	DD
	No cylinder	00
	Stainless steel dust cap (Keyed alike)	03
	Stainless steel dust cap (Keyed differ)	32
	CH751 (Stainless steel dust cap)	07

340

COMPRESSION LOCK - WING KNOB



LH/RH

RoHS



- For the cabinets that require better sealing under vibrating conditions
- Lock provides 6 mm of compression
- Wide grip range with adjustable screw
- Provides noise isolation
- Three cam alternatives available

APPLICATIONS

Railway applications, construction equipment, electric panels, machinery covers

MATERIAL

HOUSING: Zamak DIN-EN 1774-ZnAl4Cu1
 KNOB: Zamak DIN-EN 1774-ZnAl4Cu1
 CAM: Steel
 GASKET: Rubber

FINISH

Chrome or black coated

060 A3

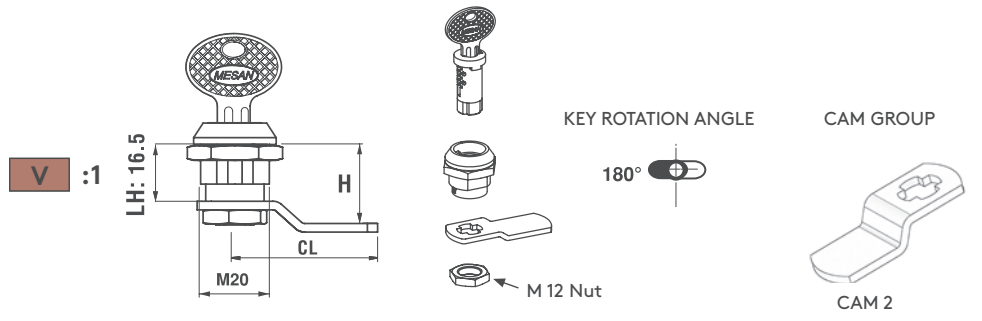
FIXING DEVICE



- Can be ordered separately

CAM LOCK

050



APPLICATIONS

Briefcases, steel drawers, machinery covers

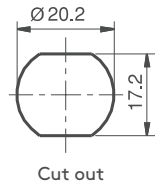
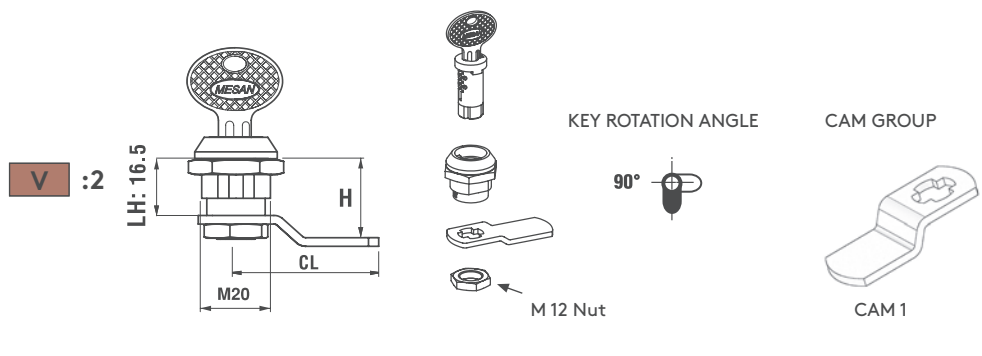
MATERIAL

HOUSING: Zamak DIN-EN 1774-ZnAl4Cu1

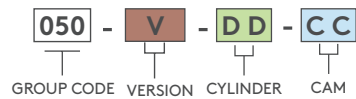
CAM: Steel

FINISH

Chrome plated



PRODUCT CODE



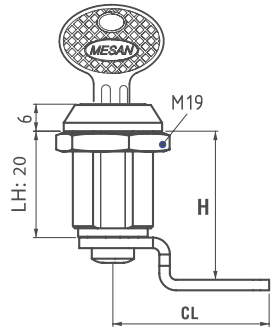
CYLINDER	SPECIFICATIONS	DD
	Keyed alike	01
	Keyed differ	02
	Stainless steel dust cap (Keyed alike)	03
	Stainless steel dust cap (1000 Keyed differ)	32
	Euro key (5333)	05

For cams please check page: 149



050

CAM LOCK



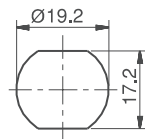
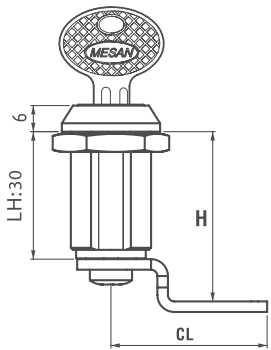
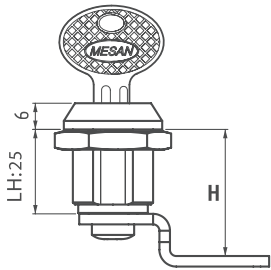
KEY ROTATION ANGLE



CAM GROUP



CAM 1



Cut out

APPLICATIONS

Wooden and steel cupboard

MATERIAL

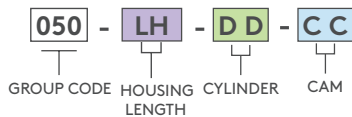
HOUSING: Zamak DIN-EN 1774-ZnAl4Cu1

CAM: Steel

FINISH

Chrome plated

PRODUCT CODE



CYLINDER	SPECIFICATIONS	DD
	Keyed alike	01
	Keyed differ	02
	Stainless steel dust cap (Keyed alike)	03
	Stainless steel dust cap (1000 Keyed differ)	32
	Euro key (5333)	05

For cams please check page: 149

CAM LOCK

150



- Designed for polyester cabinets
- Very low profile head
- Please note special shape of mounting hole

APPLICATIONS

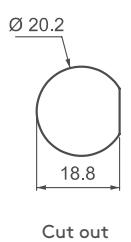
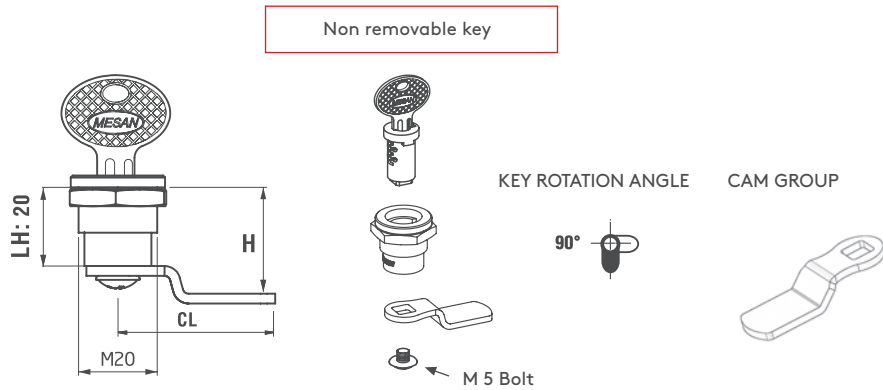
Polyester cabinets and steel cabinets

MATERIAL

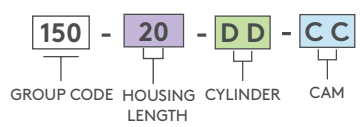
HOUSING: Zamak DIN-EN 1774-ZnAl4Cu1
CAM: Steel

FINISH

Chrome plated



PRODUCT CODE



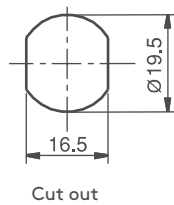
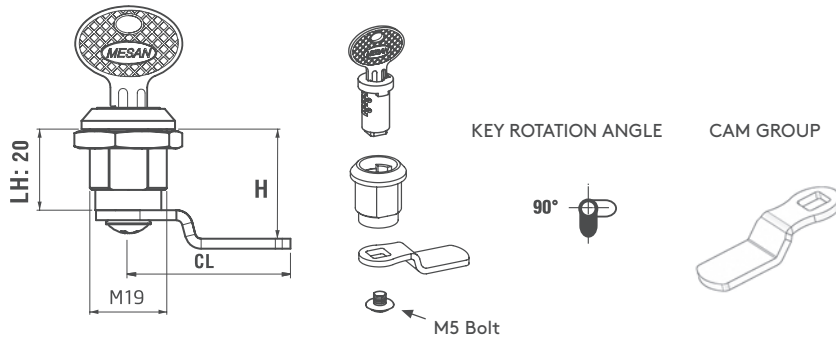
CYLINDER	SPECIFICATIONS	DD
	Keyed alike	01
	Keyed differ	02
	Stainless steel dust cap (Keyed alike)	03
	Stainless steel dust cap (1000 Keyed differ)	32
	Euro key (5333)	05

For cams please check page: 149



250

CAM LOCK



APPLICATIONS

Briefcases, steel drawers, machinery covers

MATERIAL

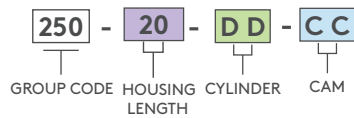
HOUSING: Zamak DIN-EN 1774-ZnAl4Cu1

CAM: Steel

FINISH

Chrome plated

PRODUCT CODE



CYLINDER	SPECIFICATIONS	DD
	Keyed alike	01
	Keyed differ	02
	Stainless steel dust cap (Keyed alike)	03
	Stainless steel dust cap (1000 Keyed differ)	32
	Euro key (5333)	05

For cams please check page: 149

MINI CAM LOCK

057



- Keyed differ has maximum 100 key combination

APPLICATIONS

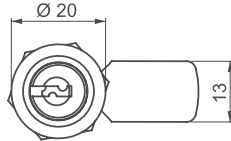
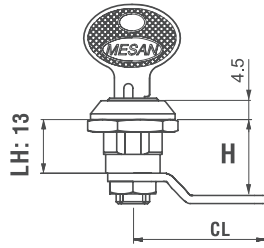
Metal drawers, metal cabinets, post boxes

MATERIAL

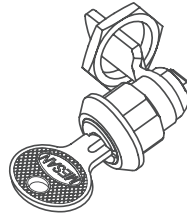
HOUSING: Zamak DIN-EN 1774-ZnAl4Cu1
CAM: Steel

FINISH

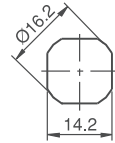
Chrome



V :1

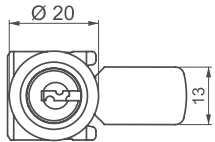
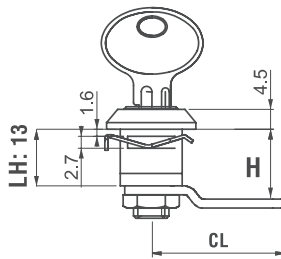


Fixed by nut

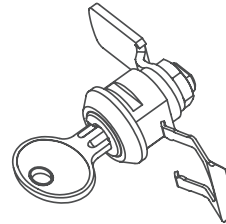


Cut out

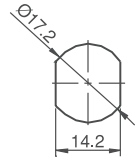
KEY ROTATION ANGLE



V :3



Fixed by clips

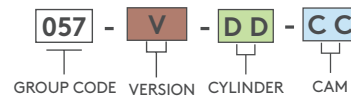



Cut out

KEY ROTATION ANGLE



PRODUCT CODE



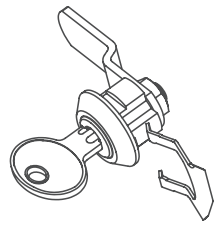
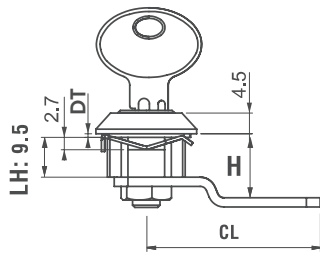
CYLINDER	SPECIFICATIONS	DD
	Stainless steel dust cap (Keyed alike)	03
	Stainless steel dust cap (Keyed differ)	32

For cams please check page: 149

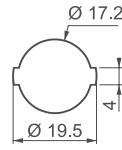


157

MINI CAM LOCK

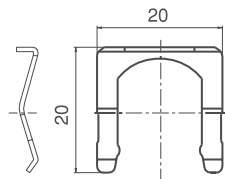
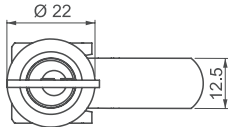


Fixed by clips



Cut out

KEY ROTATION ANGLE



Thickness: 0.7 mm



- Suitable for both steel and aluminium profile

APPLICATIONS

Metal drawers, metal cabinets, post boxes, aluminium profiles

MATERIAL

HOUSING: Zamak DIN-EN 1774-ZnAl4Cu1

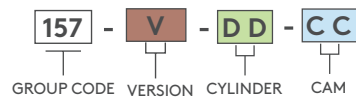
CAM: Steel

STOCK CODE	CC	CH	CL	LH:9.5 H
30403487	27	0	16	9.5
31403040	28	1	33	10.5
31403032	23	1	38	10.5
30403469	24	5	38	14.5
31403041	29	6	30	15.5

Hook cam (CC: 29)

DOOR THICKNESS	VERSION
1.2 -1.5 mm thickness panel	1
0.8 -1.2 mm thickness panel	2

PRODUCT CODE



CYLINDER	SPECIFICATIONS	DD
	Stainless steel dust cap (Keyed alike)	03
	Stainless steel dust cap (Keyed differ)	32

MINI CAM LOCK

257



- Easy assembly with clips on housing

APPLICATIONS

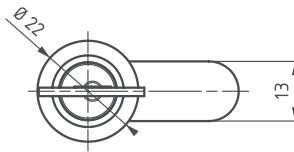
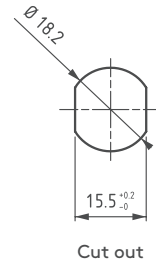
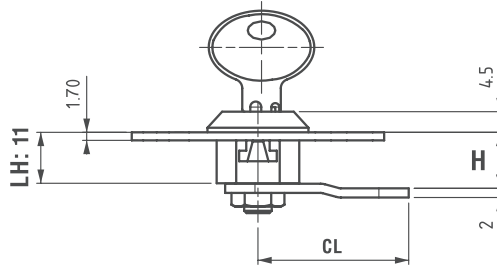
Metal drawers, metal cabinets, plastic boxes

MATERIAL

HOUSING: Polyamide DIN-EN ISO 1043-1 PA6 GFR 30
CAM: Steel

FINISH

Chrome



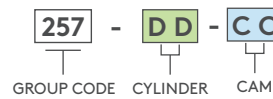
KEY ROTATION ANGLE



STOCK CODE	CC	CH	CL	LH:9.5 H
30403487	27	0	16	11
31403040	28	1	33	12
31403032	23	1	38	12
30403469	24	5	38	16
31403041	29	6	30	17

Hook cam (CC: 29)

PRODUCT CODE

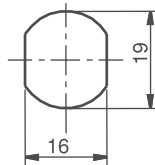
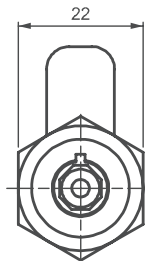
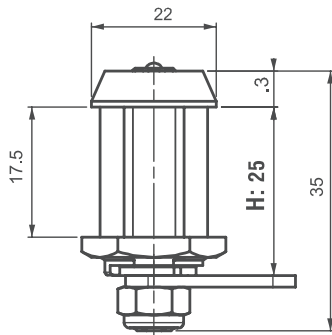
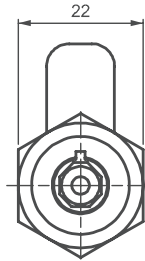
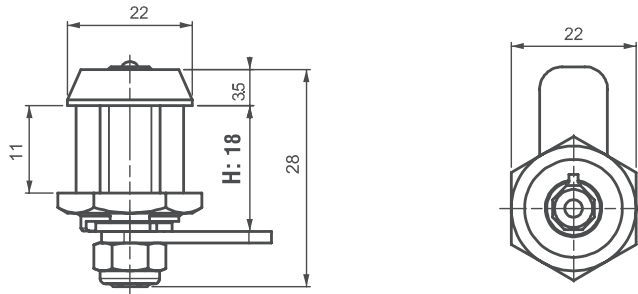


CYLINDER	SPECIFICATIONS	DD
	Stainless steel dust cap (Keyed alike)	03
	Stainless steel dust cap (Keyed differ)	32



056

CAM LOCK



Cut out



- High-security lock
- Unique key combination available
- Two different housing lengths (18 mm and 25 mm)
- For different cam alternatives contact Essentra

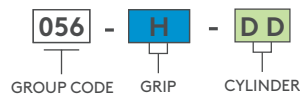
APPLICATIONS

Metal cabinets, post boxes

MATERIAL

HOUSING: Brass
 CAM: Steel
 NUT: Brass

PRODUCT CODE



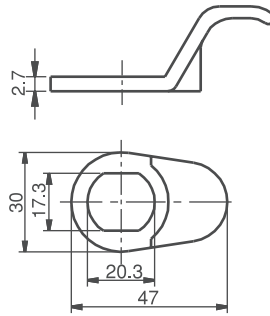
CYLINDER	SPECIFICATIONS	DD
	Stainless steel dust cap (Keyed alike)	01
	Stainless steel dust cap (Keyed differ)	02

For cams please check page: 149

CAM LOCKS

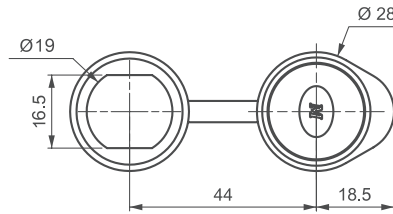
HANDLE FOR LOCK

050 A3



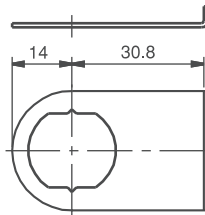
DUST CAP

050 A4



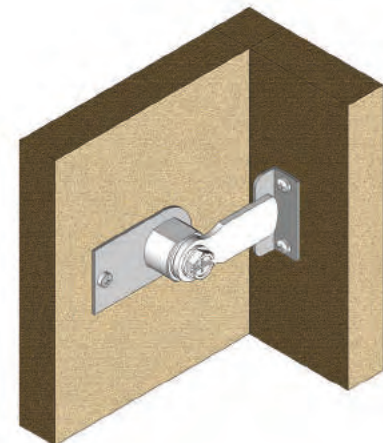
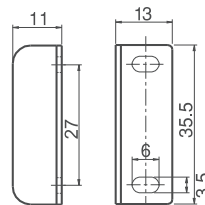
CAM LOCK FIXING PLATE FOR GLASS

050 A1



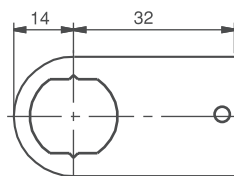
STRIKING PLATE

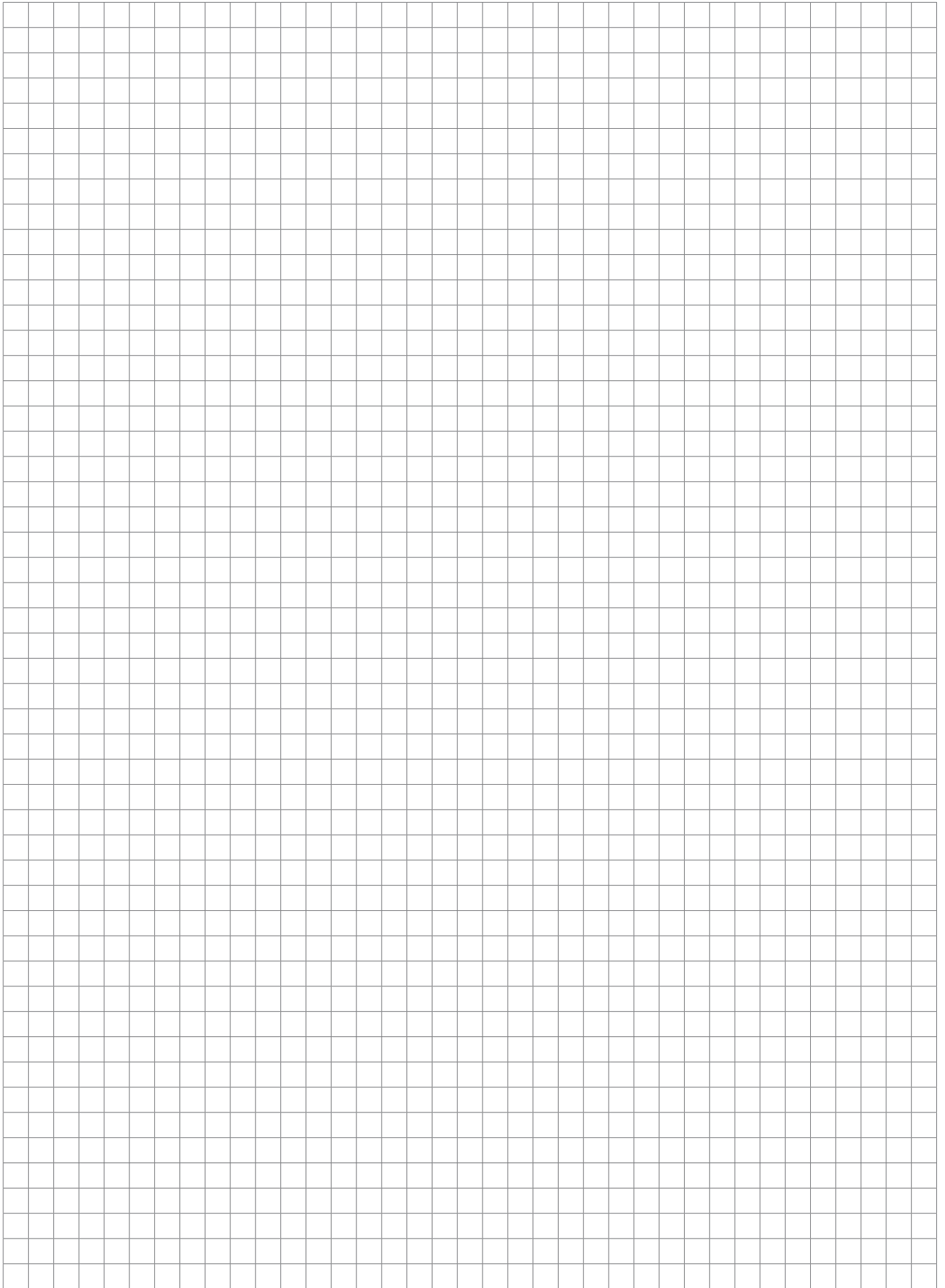
030 A1



CAM LOCK FIXING PLATE FOR WOOD

055 A1







LOCKS








FURNITURE & STEEL CUPBOARD LOCKS

GROUP CODE	PRODUCT NAME
010	CAM LOCK – T HANDLE
011	CAM LOCK – L HANDLE
020	SLIDING-GLASS DOOR LOCK
021	GLASS-DOOR LOCK
030	FURNITURE LOCK
032	FURNITURE LOCK
033	FURNITURE LOCK
059	SLIDING-DOOR LOCK
058	STEEL CUPBOARD LOCK
035	STEEL CUPBOARD LOCK
013	FIRE-HOSE CABINET LOCK



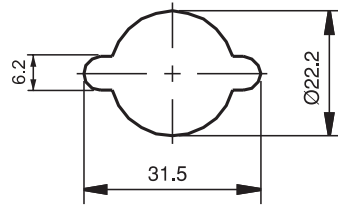
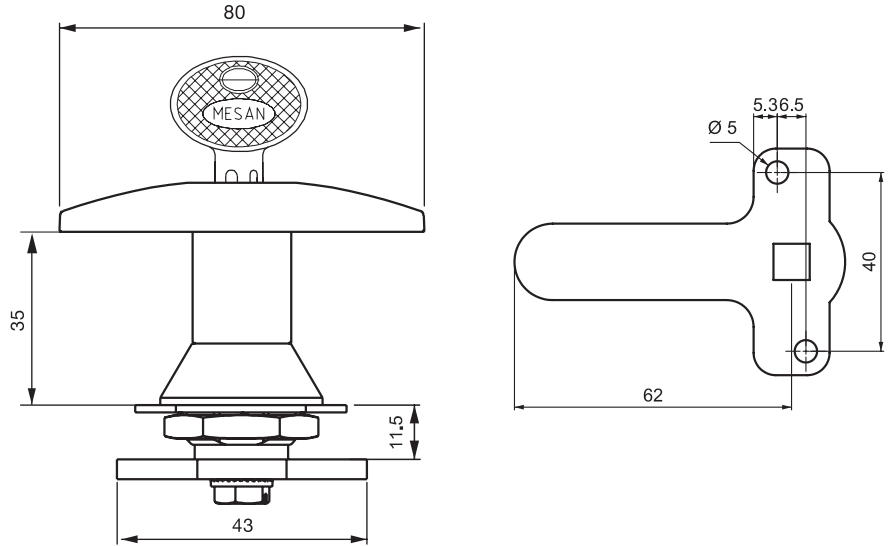
ESSENTRA

PAGE	
240	
241	
242	
243	
244	 p241
245	
246	 p245
247	
248	
249	 p249
250 - 251	 p251

STEEL CUPBOARD LOCKS

CAM LOCK - T HANDLE

010



Cut Out

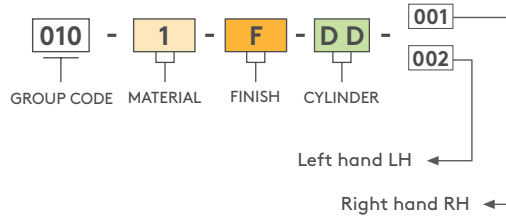
APPLICATIONS

Electric panels, metal document cabinets

MATERIAL

HOUSING: Zamak DIN-EN 1774-ZnAl4Cu1
 HANDLE: Zamak DIN-EN 1774-ZnAl4Cu1
 CAM: Steel

PRODUCT CODE



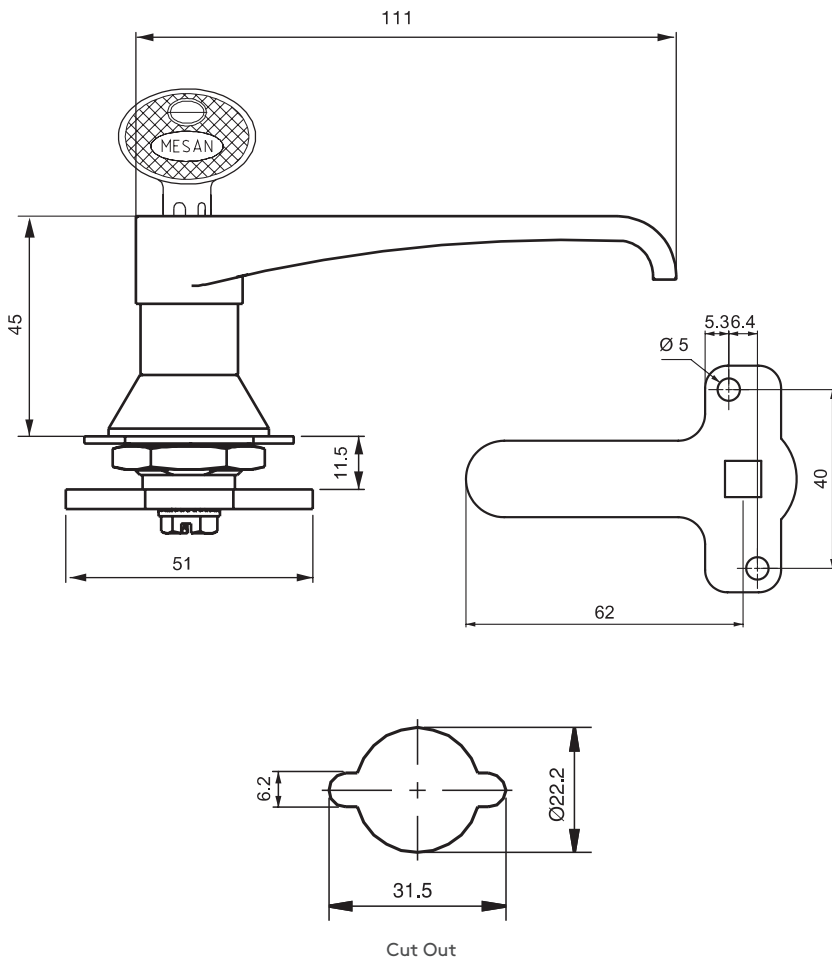
MATERIAL	M	FINISH	F
Zamak	1	Chrome	1
		Black coated	2

CYLINDER	SPECIFICATIONS	DD
	No cylinder	00
	Keyed alike	01
	Keyed differ	02
	Euro key (5333)	05
	CH751 (Stainless steel dust cap)	07



011

CAM LOCK – L HANDLE



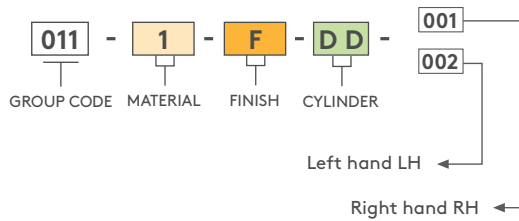
APPLICATIONS

Electric panels, metal document cabinets

MATERIAL

HOUSING: Zamak DIN-EN 1774-ZnAl4Cu1
 HANDLE: Zamak DIN-EN 1774-ZnAl4Cu1
 CAM: Steel

PRODUCT CODE

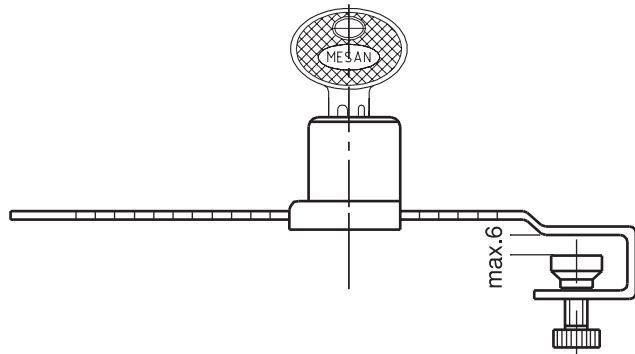


MATERIAL	M	FINISH	F
Zamak	1	Chrome	1
		Black coated	2

CYLINDER	SPECIFICATIONS	DD
	No cylinder	00
	Keyed alike	01
	Keyed differ	02
	Euro key (5333)	05
	CH751 (Stainless steel dust cap)	07

SLIDING-GLASS DOOR LOCK

020



APPLICATIONS

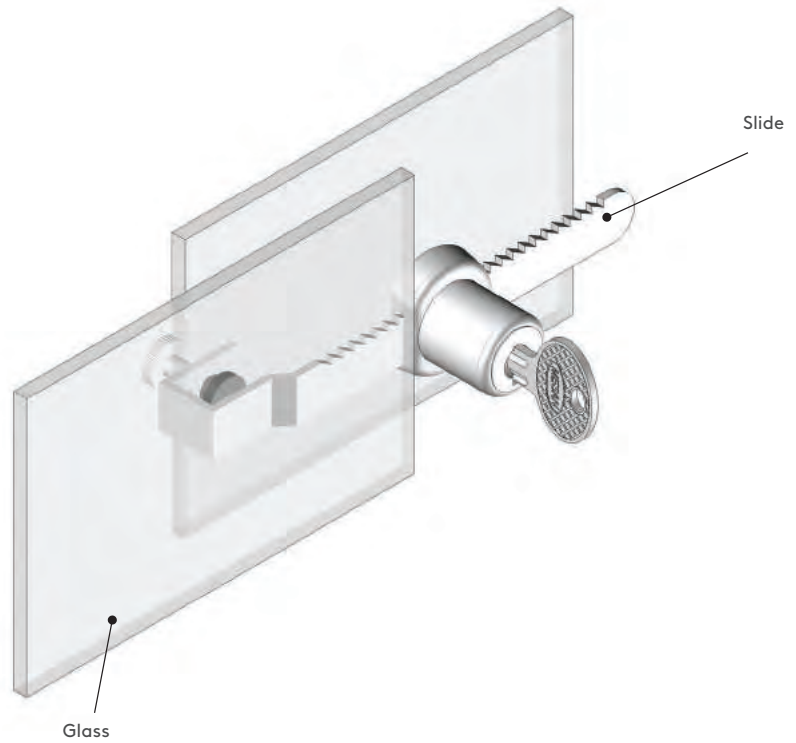
Glass cabinets, show cases

MATERIAL

BODY: Zamak DIN-EN 1774-ZnAl4Cu1
SLIDE: Stainless steel (AISI 304)

FINISH

Chrome plated



PRODUCT CODE

020 - DD

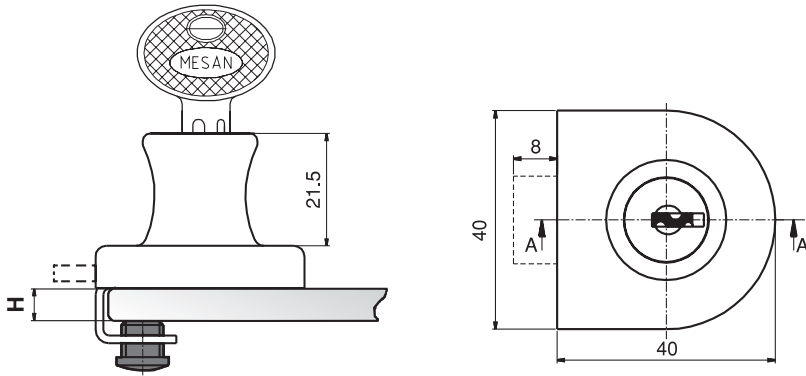
GROUP CODE CYLINDER

CYLINDER	SPECIFICATIONS	DD
	Keyed alike	01
	Keyed differ	02

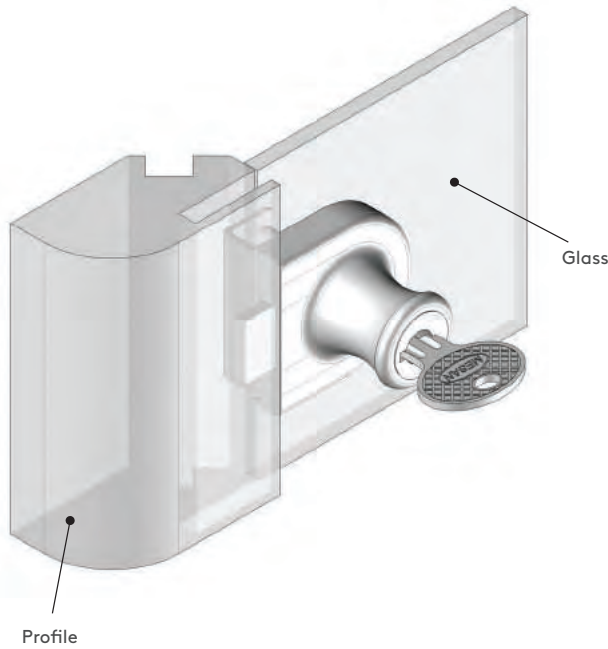


021

GLASS-DOOR LOCK



H: Glass Thickness
min : 4 mm
max: 7 mm



APPLICATIONS

Glass cabinets, show cases

MATERIAL

BODY: Zamak DIN-EN 1774-ZnAl4Cu1

FINISH

Chrome plated

PRODUCT CODE

021 - DD

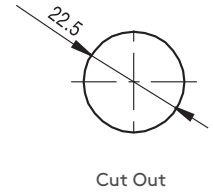
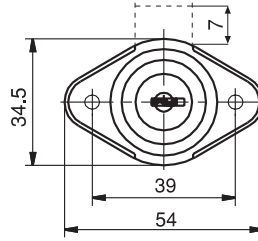
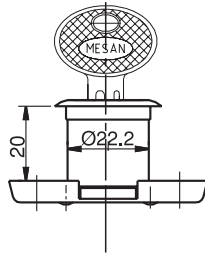
GROUP CODE CYLINDER

CYLINDER	SPECIFICATIONS	DD
	Keyed alike	01
	Keyed differ	02

FURNITURE LOCKS

FURNITURE LOCK

030



Cut Out

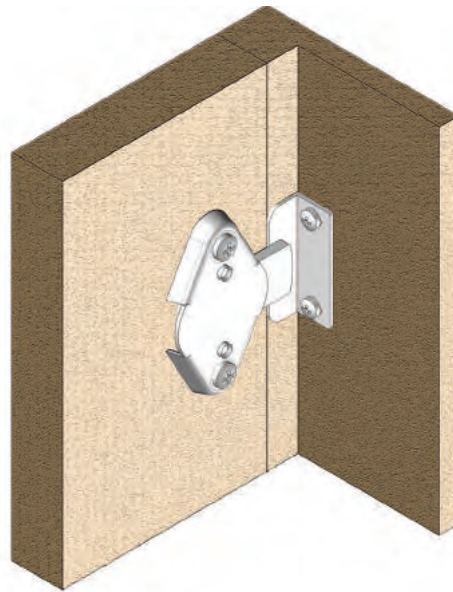
MATERIAL

BODY: Zamak DIN-EN 1774-ZnAl4Cu1

CAM: Steel

FINISH

Chrome plated



STRIKING PLATE

030 A1

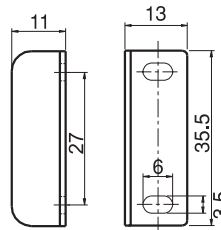


MATERIAL

Steel

FINISH

Zinc plated

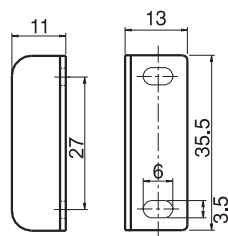
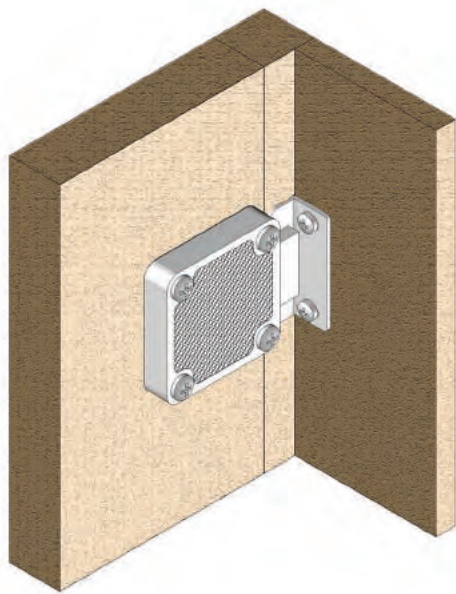
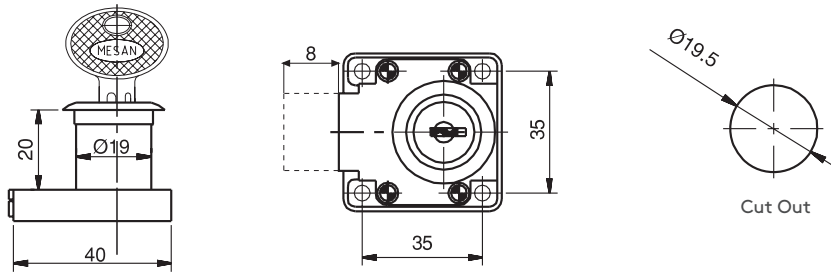


PRODUCT CODE

030 - DD

GROUP CODE CYLINDER

CYLINDER	SPECIFICATIONS	DD
	Keyed alike	01
	Keyed differ	02



032

FURNITURE LOCK



MATERIAL
 BODY: Zamak DIN-EN 1774-ZnAl4Cu1
 CAM: Steel
FINISH
 Chrome plated

030 A1

STRIKING PLATE



MATERIAL
 Steel
FINISH
 Zinc plated

PRODUCT CODE

032 - DD

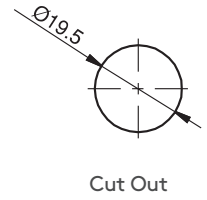
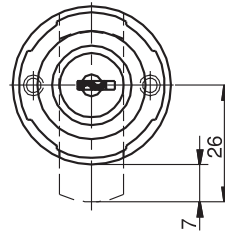
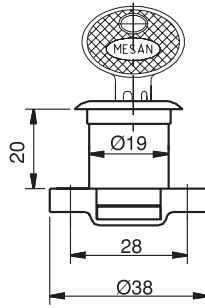
GROUP CODE CYLINDER

CYLINDER	SPECIFICATIONS	DD
	Keyed alike	01
	Keyed differ	02

FURNITURE LOCKS

FURNITURE LOCK

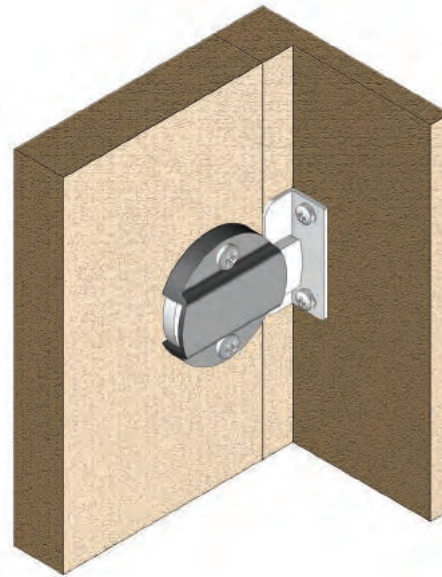
033



Cut Out

MATERIAL

BODY: Polyamide DIN-EN
ISO 10431 Pa6 GFR 30
CAM: Steel



STRIKING PLATE

030 A1

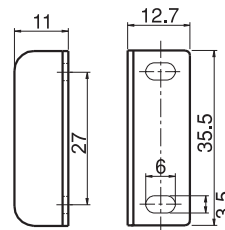


MATERIAL

Steel

FINISH

Zinc plated



PRODUCT CODE

033 - DD

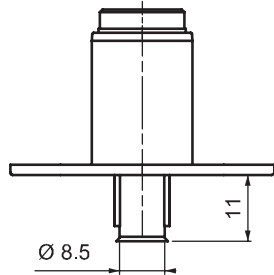
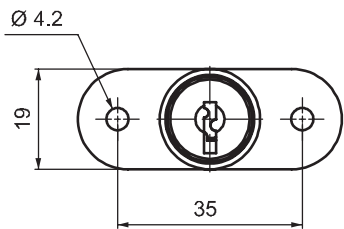
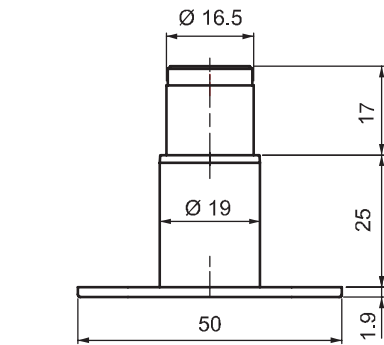
GROUP CODE CYLINDER

CYLINDER	SPECIFICATIONS	DD
	Keyed alike	01
	Keyed differ	02



059

SLIDING-DOOR LOCK



- Suitable for horizontal refrigerators
- Key alike and key differ available

APPLICATIONS

Sliding doors

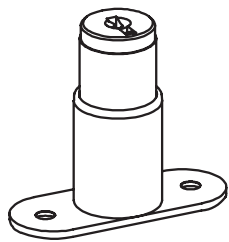
MATERIAL

BODY: Zamak DIN-EN 1774-ZnAl4Cu1

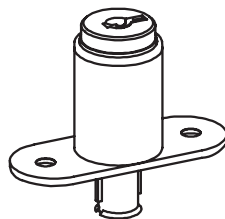
CYLINDER: Zamak DIN-EN 1774-ZnAl4Cu1

FINISH

Chrome plated



Unlocked position




Locked position

PRODUCT CODE

059 - DD

GROUP CODE CYLINDER

CYLINDER	SPECIFICATIONS	DD
	Keyed alike	01
	Keyed differ	02

STEEL CUPBOARD LOCKS

STEEL CUPBOARD LOCK

058



- Primarily for central locking applications
- Clip fixing

APPLICATIONS

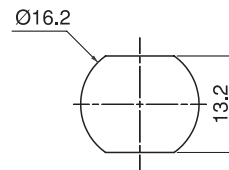
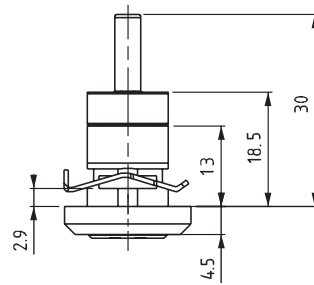
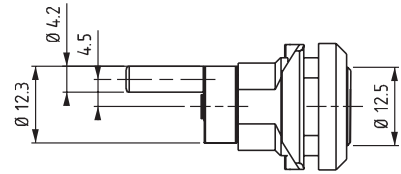
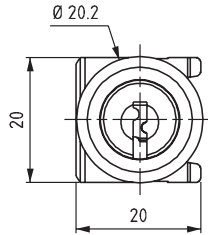
Steel drawers, central locking

MATERIAL

BODY: Zamak DIN-EN 1774-ZnAl4Cu1
CYLINDER: Zamak DIN-EN 1774-ZnAl4C1

FINISH

Chrome plated



Cut Out

PRODUCT CODE

058 - DD

GROUP CODE CYLINDER

CYLINDER	SPECIFICATIONS	DD
	Keyed alike	01
	Keyed differ	02



035

STEEL CUPBOARD LOCK



- Suitable for steel cupboards
- Easy rod assembly with special fixing plate
- Easy assembly with clips on body
- Two- or three-point locking optional

APPLICATIONS

Steel Cupboard

MATERIAL

BODY: Polyamide DIN-EN ISO 1043-1 Pa6 GFR 30
KNOB: Zamak DIN-EN 1774-ZnAl4Cu1

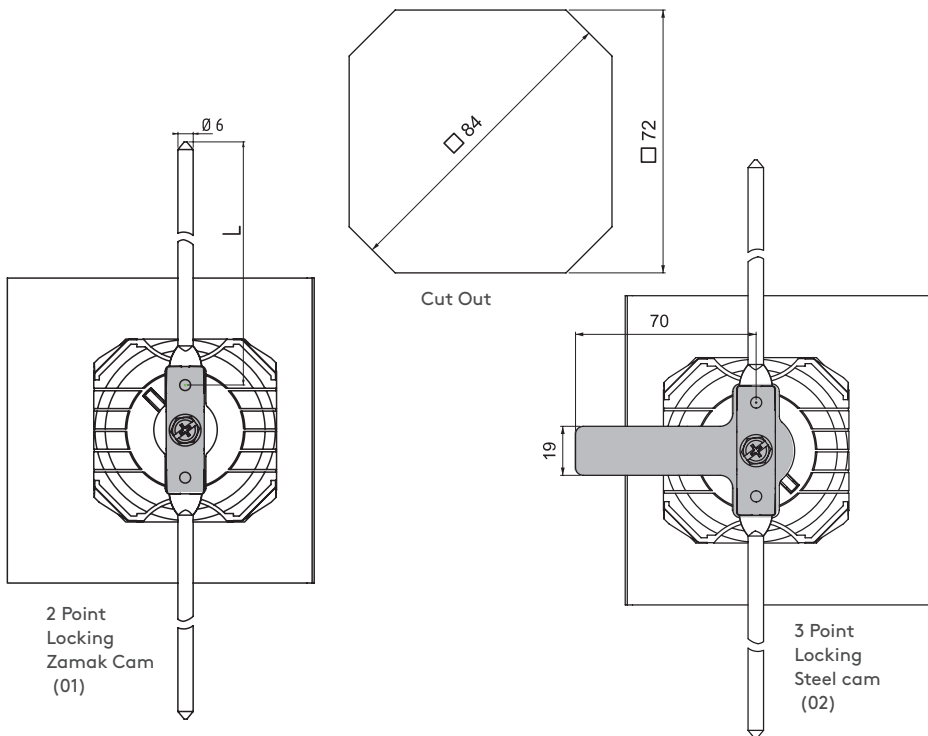
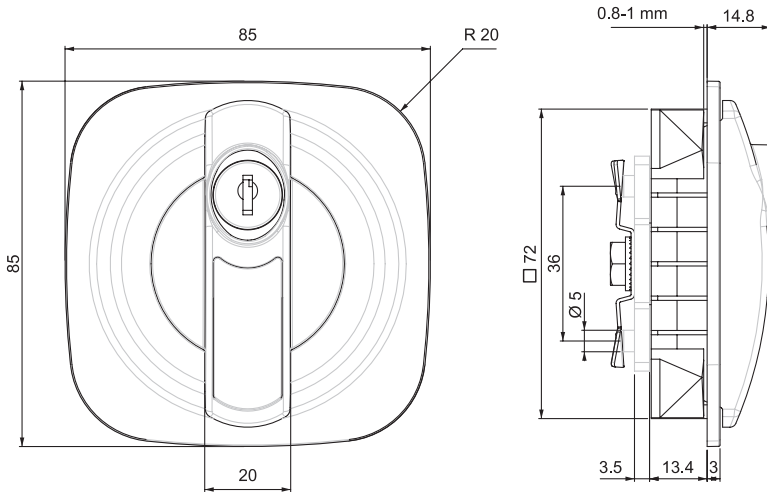
01

Zamak cam



02

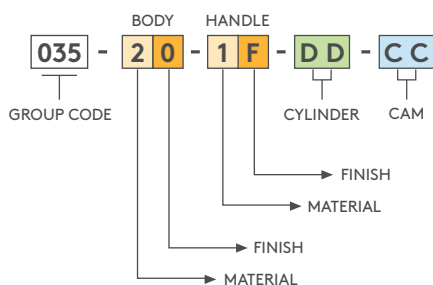
Steel cam



2 Point Locking
Zamak Cam
(01)

3 Point Locking
Steel cam
(02)

PRODUCT CODE



MATERIAL	M
Zamak	1
Plastic	2

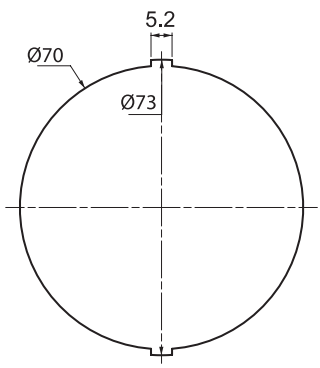
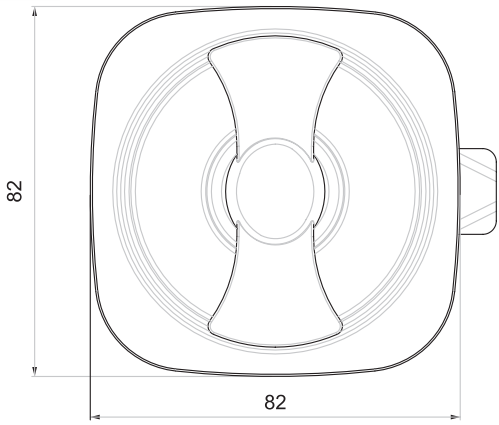
FINISH	F
Chrome	1
Black coated	2
Gray coated	3
No finish	0

CYLINDER	SPECIFICATIONS	
	Keyed alike	01
	Keyed differ	02
	Master system	04
		DD

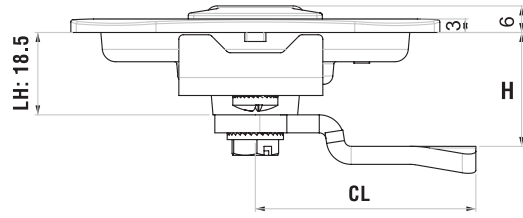
STEEL CUPBOARD LOCKS

FIRE HOSE CABINET LOCK

013



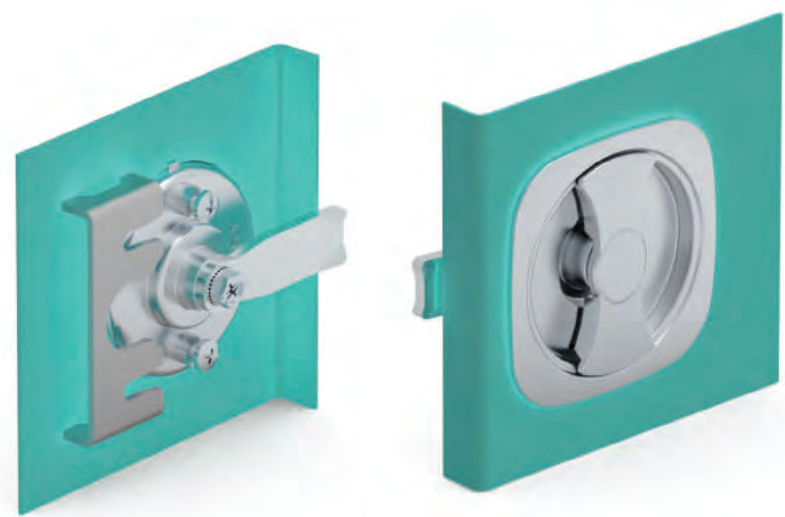
Cut Out



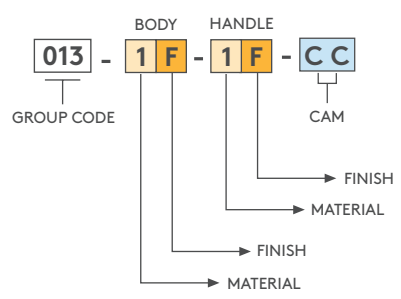
- Designed for fire-hose cabinets
- Special fixing-plate supplied for easy fixing
- Flush design provides flat surface on cabinet
- Customized colours available

APPLICATIONS
Fire hose cabinet

MATERIAL
BODY: Zamak DIN-EN 1774-ZnAl4Cu1
KNOB: Zamak DIN-EN 1774-ZnAl4Cu1
CAM: Steel
FIXING PLATE: Steel



PRODUCT CODE



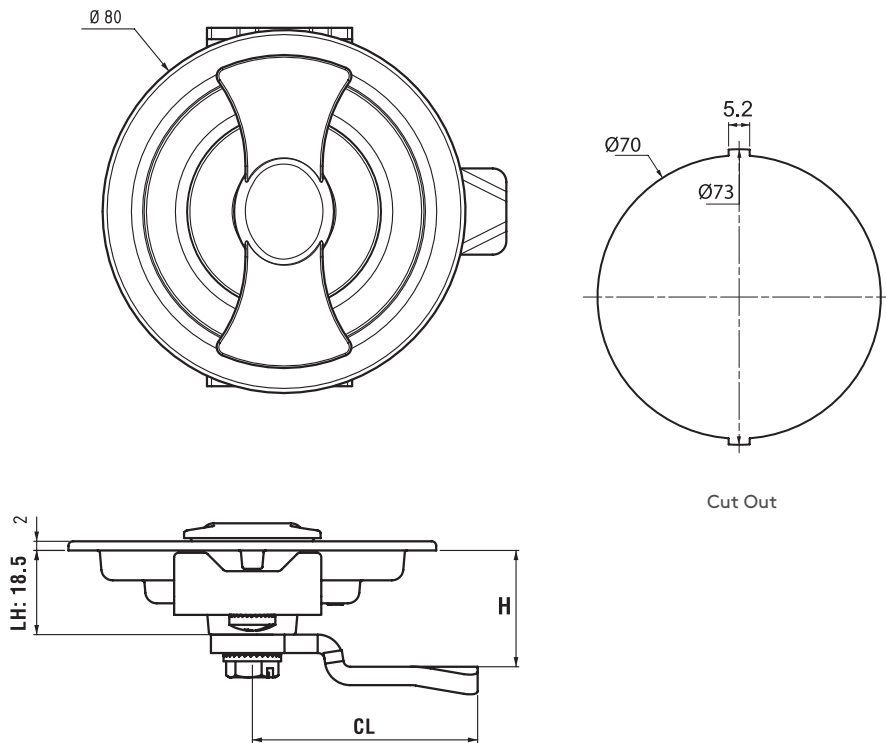
MATERIAL	M	FINISH	F
Zamak	1	Chrome	1
		Black coated	2

For cams please check pages: 144 - 145



013

FIRE-HOSE CABINET LOCK



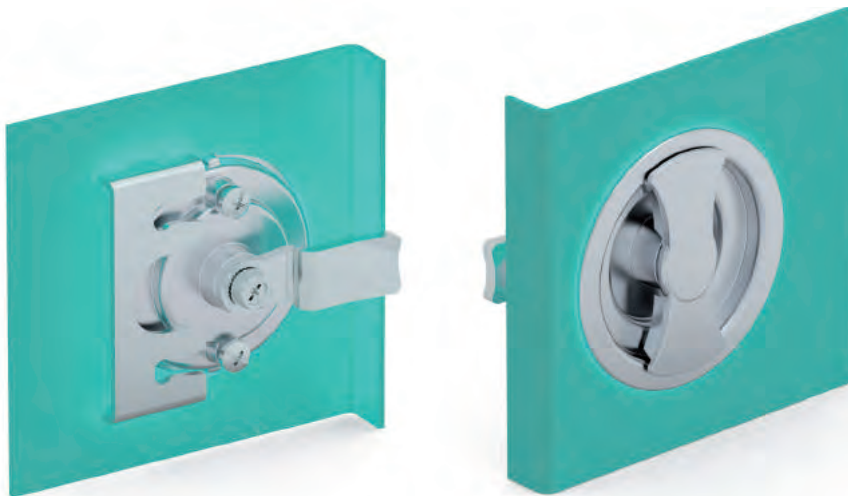
- Designed for fire-hose cabinet
- Special fixing plate supplied for easy fixing
- Flush design provides flat surface on cabinet
- Customized colours available

APPLICATIONS

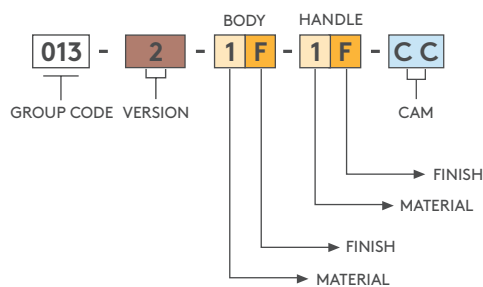
Fire hose cabinet

MATERIAL

BODY: Zamak DIN-EN 1774-ZnAl4Cu1
 KNOB: Zamak DIN-EN 1774-ZnAl4Cu1
 CAM: Steel
 FIXING PLATE: Steel

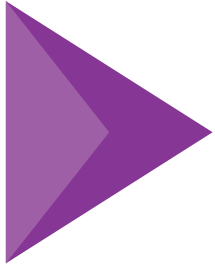


PRODUCT CODE



MATERIAL	M	FINISH	F
Zamak	1	Chrome	1
		Black coated	2

For cams please check pages: 144 - 145



HINGES



SIDE HINGES

GROUP CODE	PRODUCT NAME
090	SIDE HINGE (10 MM)
091	SIDE HINGE (12 MM)
092	SIDE HINGE (12 MM)
192	SIDE HINGE (12 MM)
093	SIDE HINGE (16 MM)
193	SIDE HINGE (16 MM)
793	SIDE HINGE
893	SIDE HINGE
191	SIDE HINGE
293	SIDE HINGE
393	SIDE HINGE
493	SIDE HINGE
593	SIDE HINGE
693	SIDE HINGE



ESSENTRA

PAGE	
254	
254	
254	
255	
255	
255	
256	
257	
258	
259	
260	
261	
262	
263	



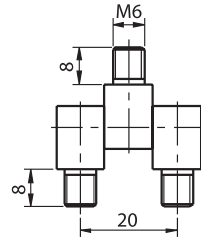
SIDE HINGES

SIDE HINGE (10 mm)

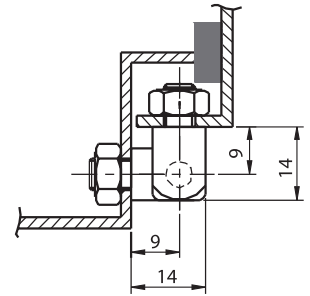
090



LH/RH



Hinge Rotation Angle



- Side-mounted hinge
- Three 10 mm brass parts supplied separately. For different dimensions contact Essentra

MATERIAL	M
Brass	3

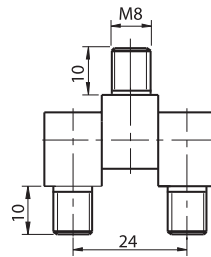
FINISH	F
No finish	0
Nickel	4

SIDE HINGE (12 mm)

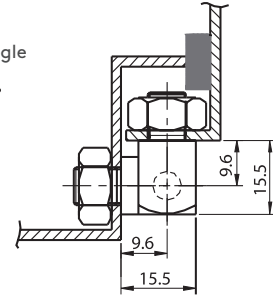
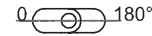
091



LH/RH



Hinge Rotation Angle



- Side-mounted hinge
- Three 12 mm brass parts supplied separately. For different dimensions contact Essentra Components

MATERIAL	M
Brass	3

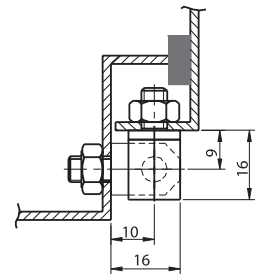
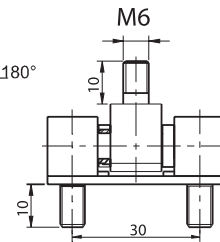
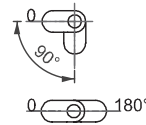
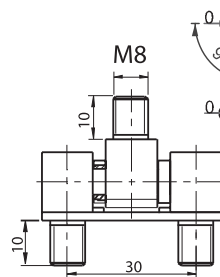
FINISH	F
No finish	0
Nickel	4

SIDE HINGE (12 mm)

092



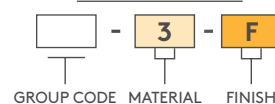
LH/RH



M8 → 092 M-F- 8-90°
092 M-F- 8-180°

M6 → 092 M-F- 6-90°
092 M-F- 6-180°

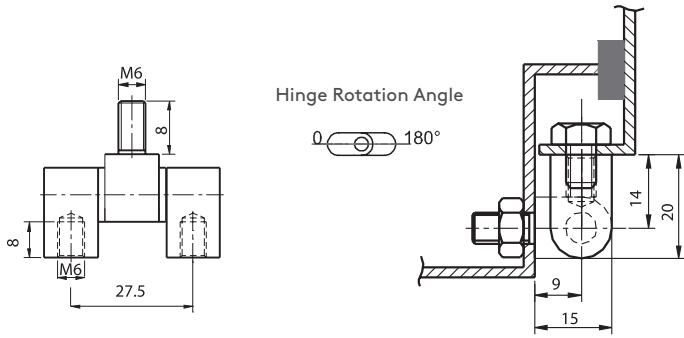
PRODUCT CODE



- **Stainless steel version:** page:476
- Side-mounted hinge
- Brass 12 mm parts and bearings
- Parts are assembled by fixing plate. For different dimensions contact Essentra Components
- 90° and 180° angle versions are available

MATERIAL	M
Brass	3

FINISH	F
No finish	0
Chrome	1



MATERIAL	M	FINISH	F
Brass	3	Chrome	1

192

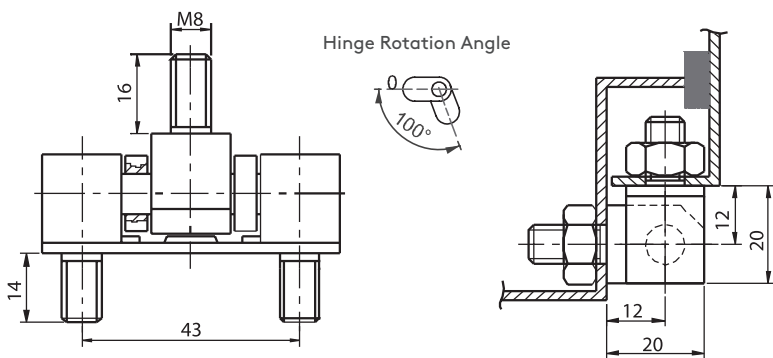
SIDE HINGE (12 mm)



LH/RH



- Side-mounted hinge
- Brass 12 mm parts and bearings
- Parts tightly fitted



MATERIAL	M	FINISH	F
Brass	3	No finish	0
		Chrome	1

093

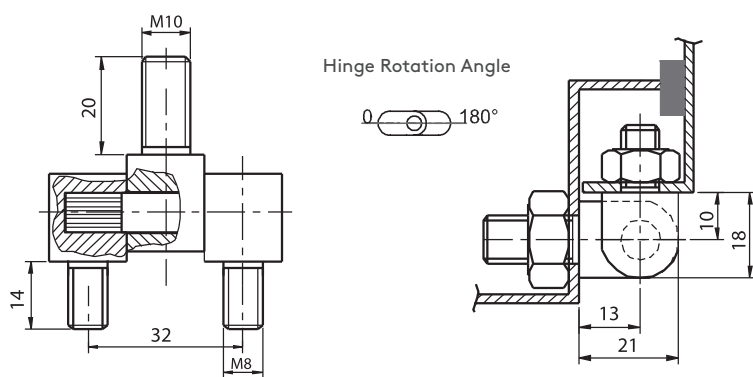
SIDE HINGE (16 mm)



LH/RH



- Side-mounted hinge
- Brass 16 mm parts and bearings
- Parts assembled by fixing plate



PRODUCT CODE

 - 3 - F

GROUP CODE MATERIAL FINISH

MATERIAL	M	FINISH	F
Brass	3	Chrome	1

193

SIDE HINGE (16 mm)



LH/RH

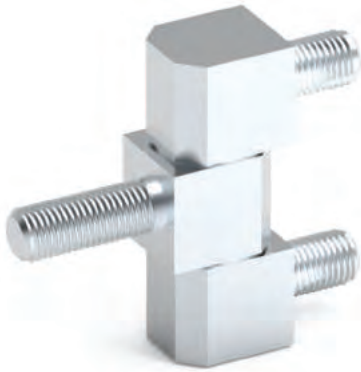


- Stainless steel version: page 477
- Side-mounted hinge
- Brass 16 mm parts
- Parts tightly fitted

SIDE HINGES

SIDE HINGE

793



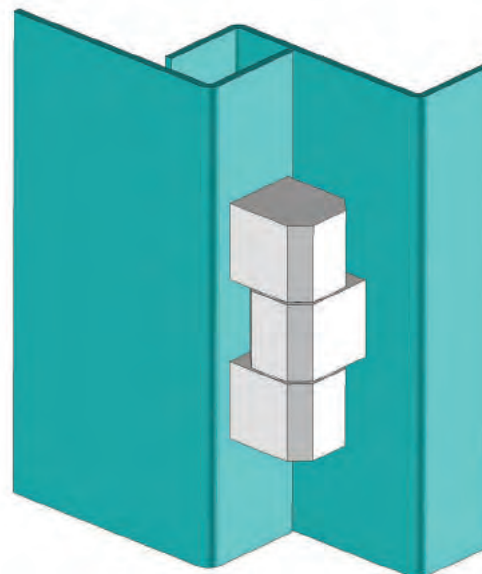
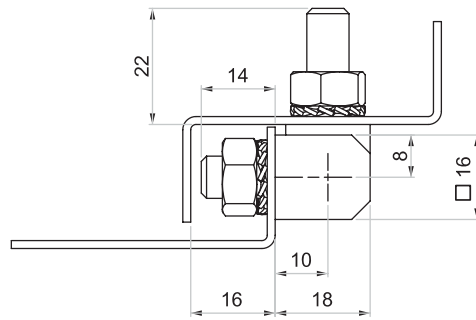
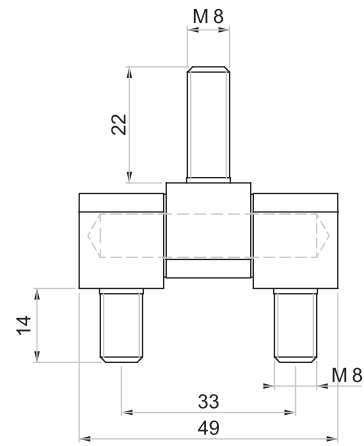
LH/RH

- For medium voltage and heavy door panels
- Hinge parts produced from hardened steel

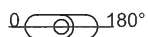
APPLICATIONS
Electric panels, machinery covers

MATERIAL
Steel

FINISH
Zinc plated

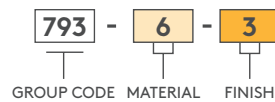


Hinge Rotation Angle



⚠ Note: Nuts and washers are not supplied.

PRODUCT CODE



MATERIAL	M	FINISH	F
Steel	6	Zinc plated	3

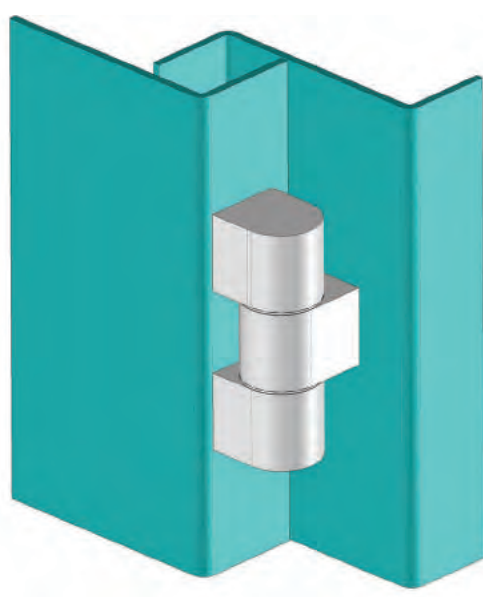
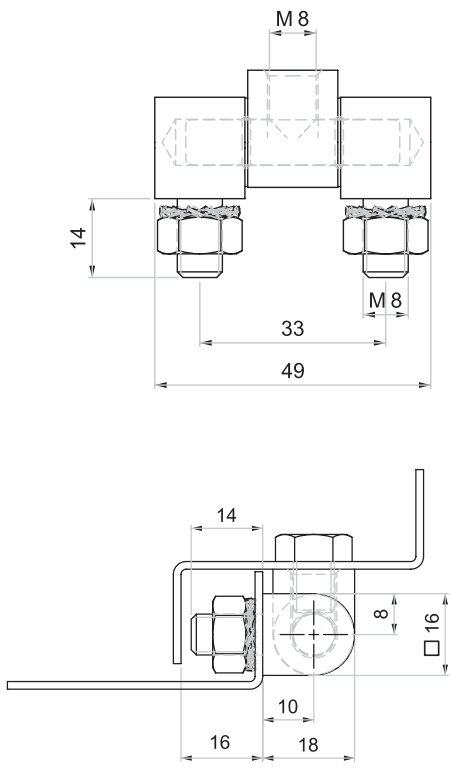


893

SIDE HINGE



LH/RH



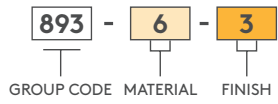
- For medium voltage and heavy door panels
- Assembled using special screws (supplied)
- Parts supplied separately

APPLICATIONS
Electric panels, machinery covers

MATERIAL
C45 Steel

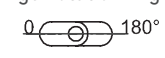
FINISH
Zinc plated

PRODUCT CODE



MATERIAL	M	FINISH	F
Steel	6	Zinc plated	3

Hinge Rotation Angle



⚠ Note: Nuts and washers are not supplied.

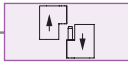
SIDE HINGES

SIDE HINGE (10 mm)

191



LH/RH

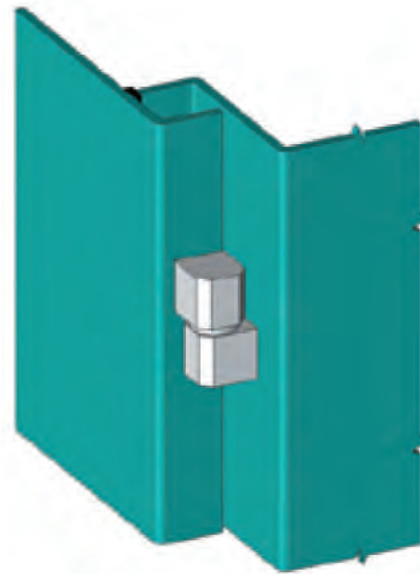
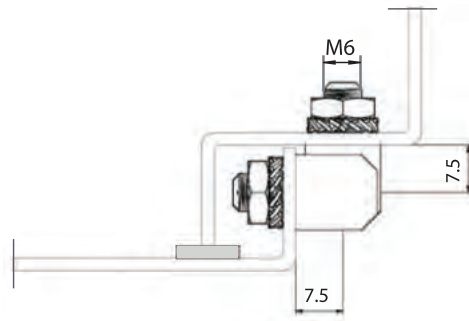
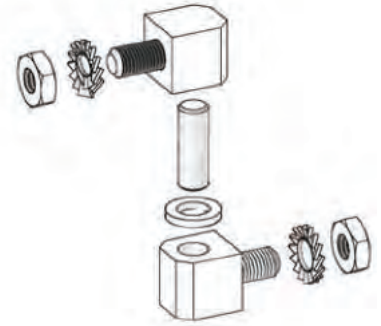
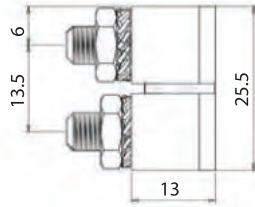


- Side-mounted hinge
- Steel 12 mm parts

APPLICATIONS
Electric panels, machinery covers

MATERIAL
Steel

FINISH
Zinc plated

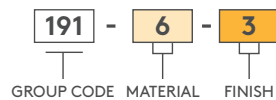


Hinge Rotation Angle



Note: Nuts and washers are supplied.

PRODUCT CODE



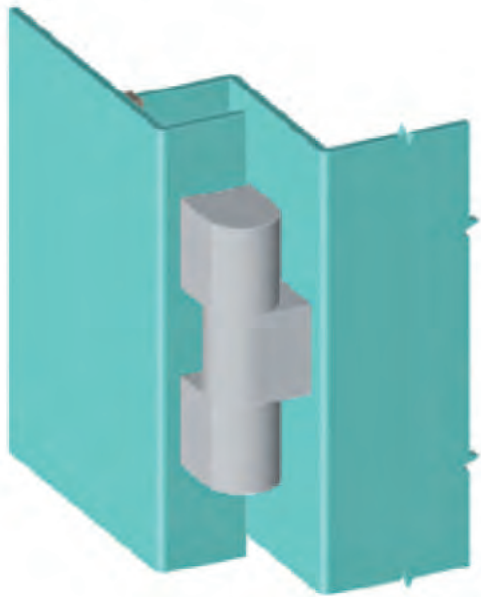
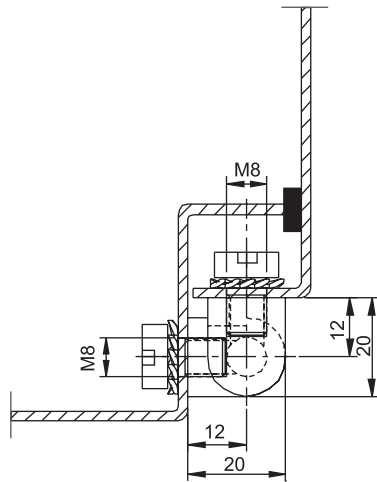
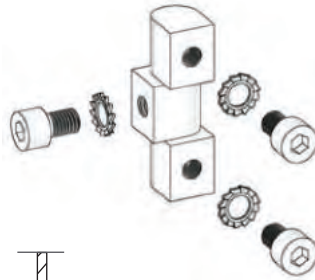
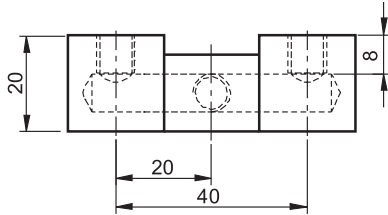


293

SIDE HINGE



LH/RH



- For medium voltage and heavy door panels
- Chrome-plated brass
- Assembled using special screws (supplied)
- Parts supplied separately

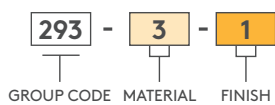
APPLICATIONS

Electric panels, machinery covers

MATERIAL

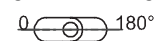
BRASS: DIN 17672 CuZn39Pb3

PRODUCT CODE



MATERIAL	M	FINISH	F
Brass	3	Chrome	1

Hinge Rotation Angle



Note: Bolts and washers are supplied

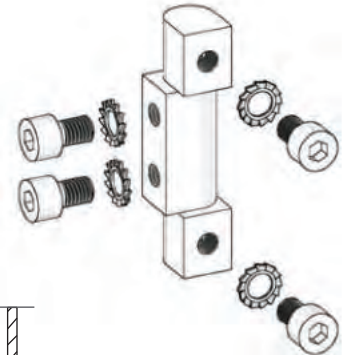
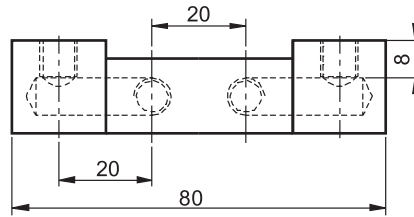
SIDE HINGES

SIDE HINGE

393



LH/RH



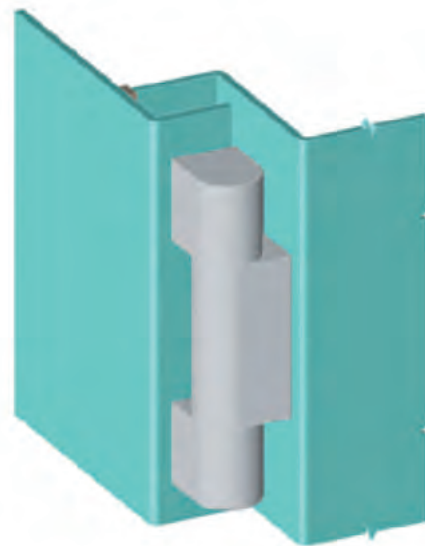
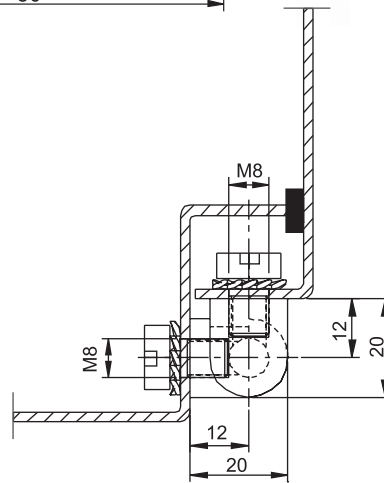
- For medium voltage and heavy door panels
- Chrome-plated brass
- Assembled using special screws (supplied)
- Parts supplied separately

APPLICATIONS

Electric panels, machinery covers

MATERIAL

BRASS: DIN 17672 CuZn39Pb3

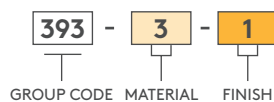


Hinge Rotation Angle



⚠ Note: Bolts and washers are supplied

PRODUCT CODE



MATERIAL		FINISH	
	M		F
Brass	3	Chrome	1

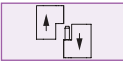


493

SIDE HINGE



LH/RH



- Lift-off hinge
- Suitable for left- and right-hand applications
- Maximum hinge rotation 180°
- For heavy doors, version 2 is recommended due to its stainless steel properties

APPLICATIONS

Electric panels, machinery covers

MATERIAL

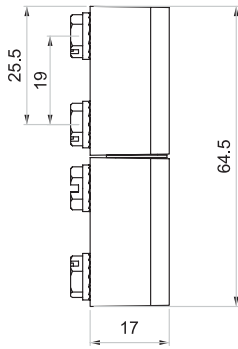
Zamak DIN-EN 1774-ZnAl4Cu1

PIN: V1: Zamak DIN-EN 1774-ZnAl4Cu1

PIN: V2: Stainless Steel

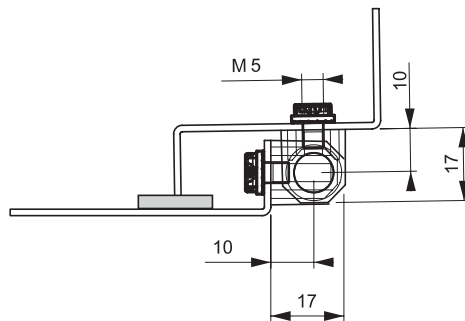
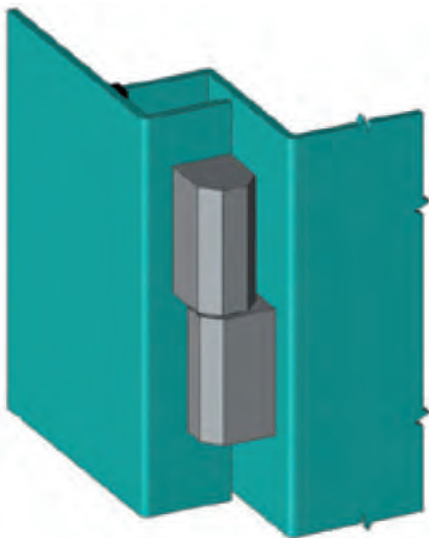
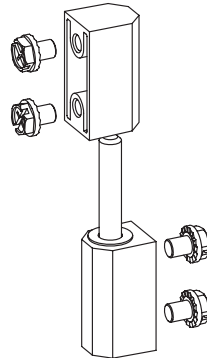
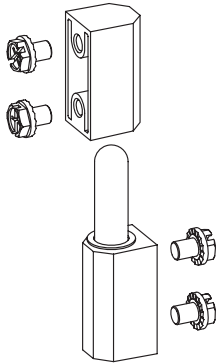
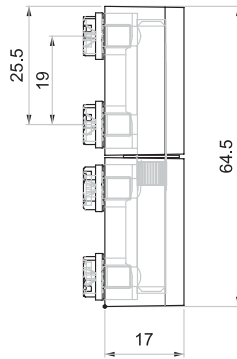
V : 1

Fixed zamak pin

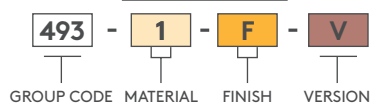


V : 2

Stainless steel pin

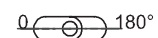


PRODUCT CODE



MATERIAL	M	FINISH	F
Zamak	1	Chrome	1
		Black coated	2

Hinge Rotation Angle



Note: Bolts are supplied

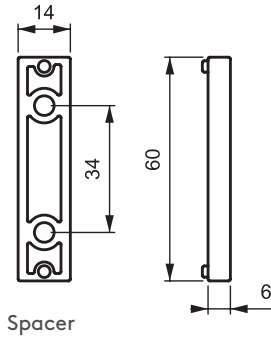
SIDE HINGES

SIDE HINGE

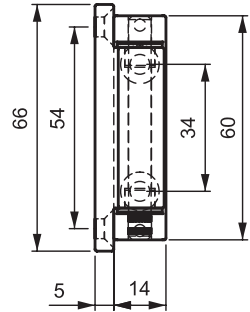
593



LH/RH



Spacer



Standard version

- Spacer bar available for different dimensions
- Stainless steel hinge pin

APPLICATIONS

Electric panels, machinery covers

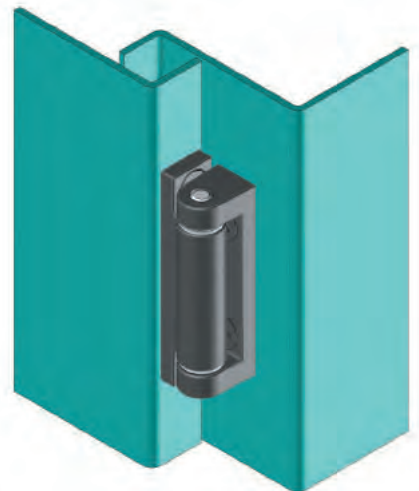
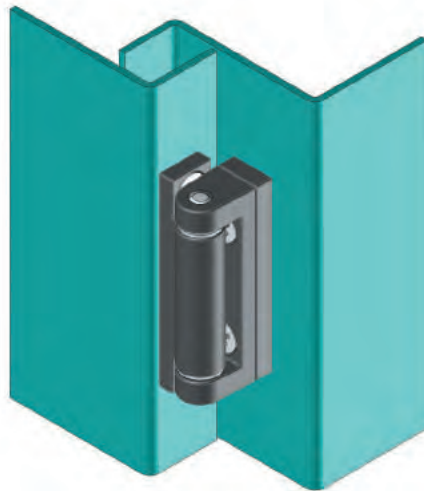
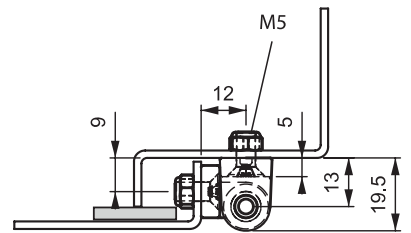
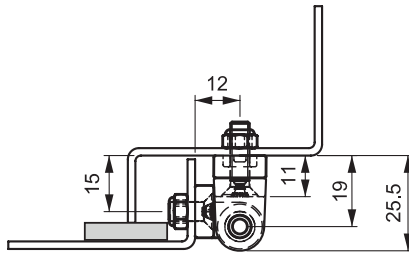
MATERIAL

Zamak DIN-EN 1774-ZnAl4Cu1
PIN: Stainless Steel

Spacer version

593 1-F-25

593 1-F-19

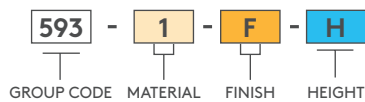


Hinge Rotation Angle



Note: Bolts are not supplied

PRODUCT CODE



MATERIAL		FINISH	
	M		F
Zamak	1	Chrome	1
		Black coated	2



693

SIDE HINGE



LH/RH



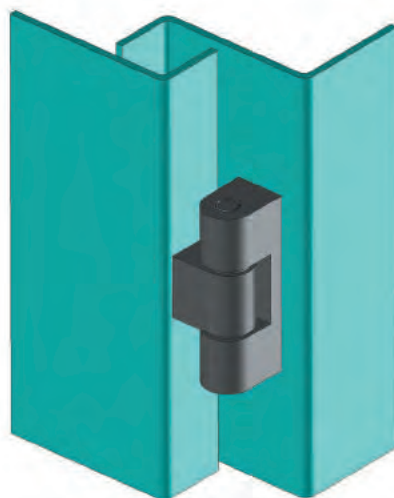
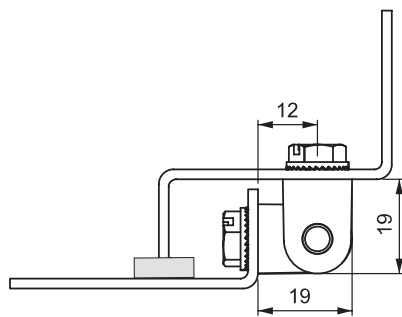
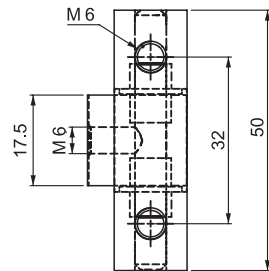
- Side-mounted hinge
- Stainless steel hinge pin
- Supplied assembled

APPLICATIONS

Electric panels, machinery covers

MATERIAL

Zamak DIN-EN 1774-ZnAl4Cu1
PIN: Stainless Steel



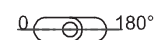
PRODUCT CODE

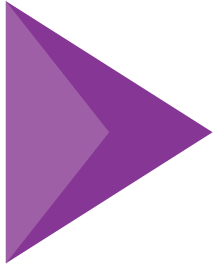
693 - 1 - F

GROUP CODE MATERIAL FINISH

MATERIAL	M	FINISH	F
Zamak	1	Chrome	1
		Black coated	2

Hinge Rotation Angle





HINGES



CONCEALED HINGES

GROUP CODE	PRODUCT NAME
094	CONCEALED HINGE
194	CONCEALED HINGE
096	CONCEALED HINGE
296	CONCEALED HINGE
196	CONCEALED HINGE
1495	CONCEALED HINGE
095	CONCEALED HINGE
195	CONCEALED HINGE
995	CONCEALED HINGE
895	CONCEALED HINGE
1095	CONCEALED HINGE
295	CONCEALED HINGE
395	CONCEALED HINGE
695	CONCEALED HINGE
795	CONCEALED HINGE
1795	CONCEALED HINGE
189	SPRING LOADED
389	SPRING LOADED
089	SPRING LOADED
289	CONCEALED HINGE
394	CONCEALED HINGE
294	CONCEALED HINGE
595	CONCEALED HINGE



ESSENTRA

PAGE

266

267

268 - 269

270 - 271

272

273

274 - 275

276 - 277

278 - 279

280

281

282 - 283

284 - 285

286 - 287

288

289

290

291

292

293

294

295

296



CONCEALED HINGES

CONCEALED HINGE

094



LH/RH

- For 25 mm folded doors
- Middle part copper plated for easy welding

APPLICATIONS

Electric panels, machinery covers

MATERIAL

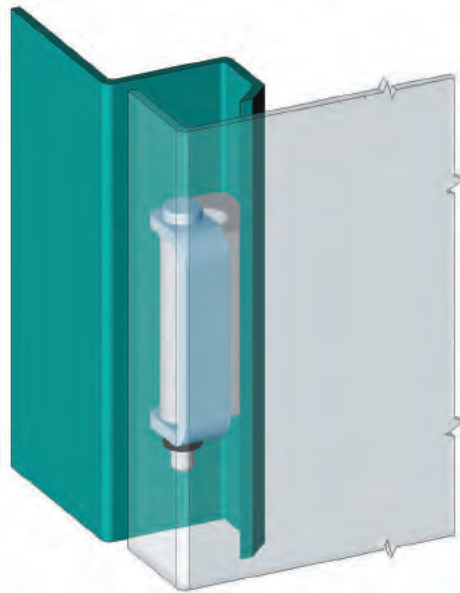
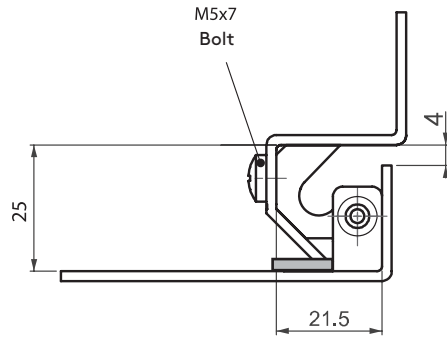
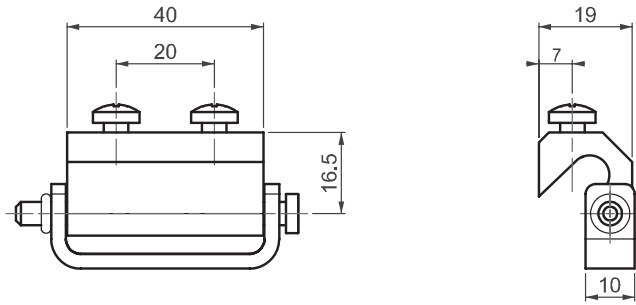
BODY: Zamak DIN-EN 1774-ZnAl4Cu1 or Aluminium

FIXED PART: Steel

FINISH

BODY: No finish

FIXED PART: Copper plated



Hinge Rotation Angle

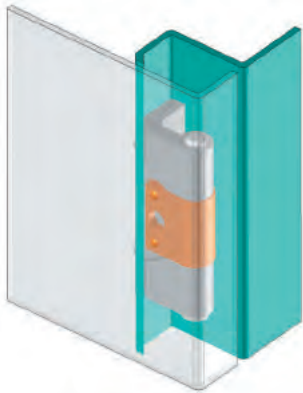


⚠ Note: Bolts are supplied

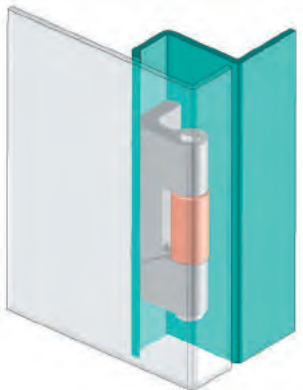
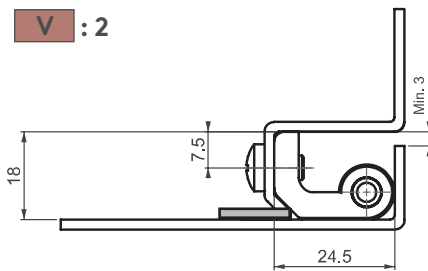
PRODUCT CODE

094 - M - F
 GROUP CODE MATERIAL FINISH

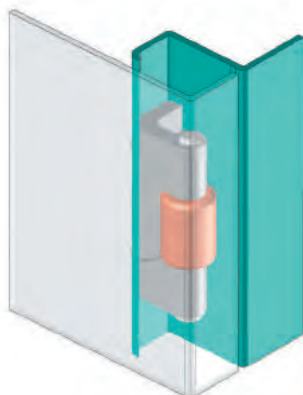
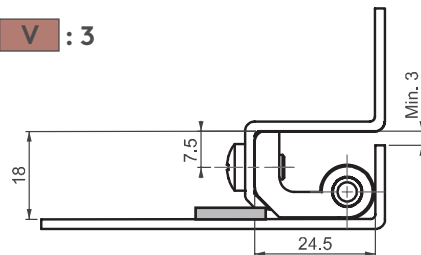
MATERIAL	M	FINISH	F
Zamak	1	Chrome	1
Aluminium	5	Matte anodized	7



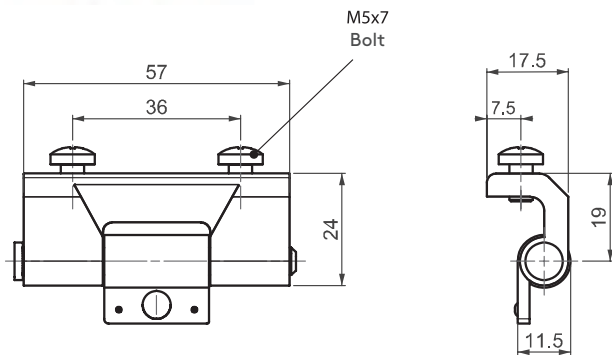
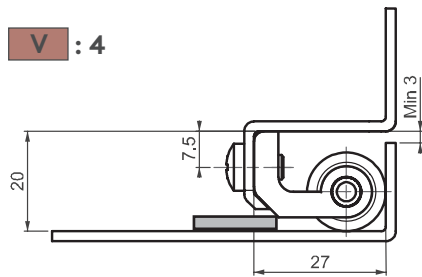
V : 2



V : 3



V : 4



194

CONCEALED HINGE



LH/RH



- For doors with a bend of between 18 mm and 27 mm
- Centre part copper plated for easy welding
- The centre part available in different versions

APPLICATIONS
Electric panels, machinery covers

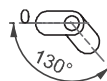
MATERIAL
BODY: Zamak DIN-EN 1774-ZnAl4Cu1
FIXED PART: Steel

FINISH
BODY: No finish
WELDING PART: Copper plated

PRODUCT CODE

194 - V
GROUP CODE VERSION

Hinge Rotation Angle



Note: Bolts are supplied

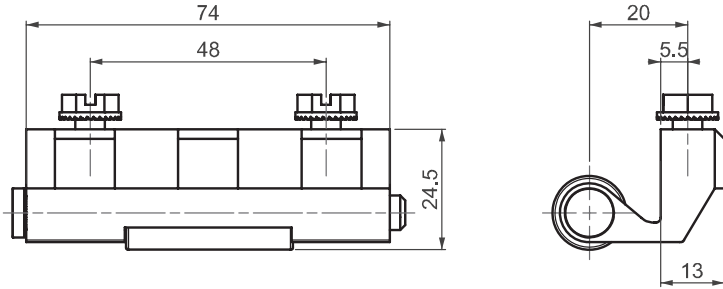
▶ CONCEALED HINGES

CONCEALED HINGE

096



LH/RH



- For doors with a 24.5 mm bend
- Suitable for both panel and door-profile fixing

APPLICATIONS

Electric panels, machinery covers

MATERIAL

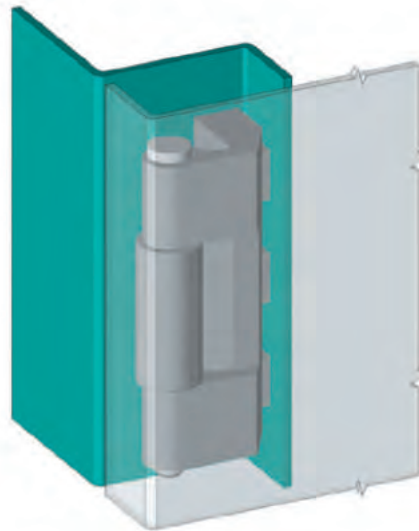
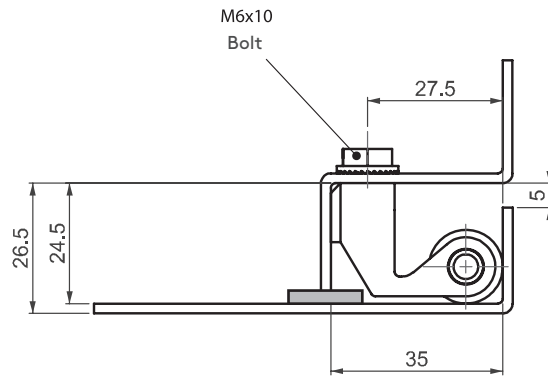
BODY: Zamak DIN-EN 1774-ZnAl4Cu1

FIXED PART: Steel

FINISH

BODY: No finish

WELDING PART: Copper plated



Hinge Rotation Angle

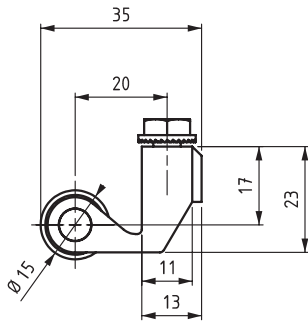
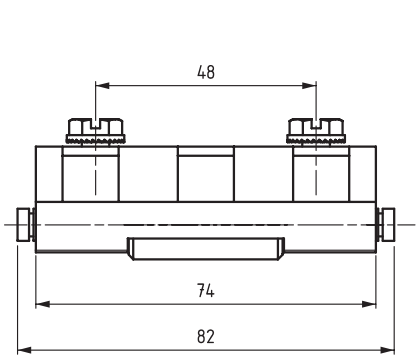


▲ Note: Bolts are supplied

PRODUCT CODE

096 - 1 - 3

GROUP CODE MATERIAL FINISH

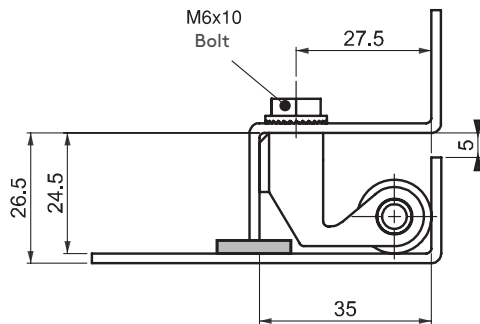
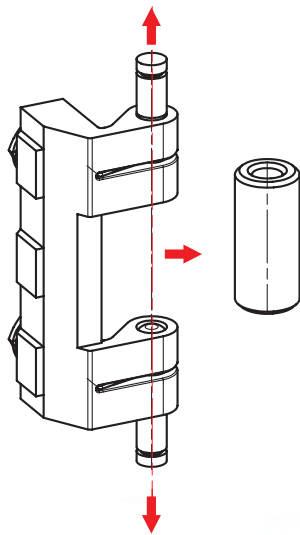


096

CONCEALED HINGE



LH/RH



- Door can be taken out of frame without removing the pins
- Easy assembly
- Suitable for 25 mm door bend

APPLICATIONS

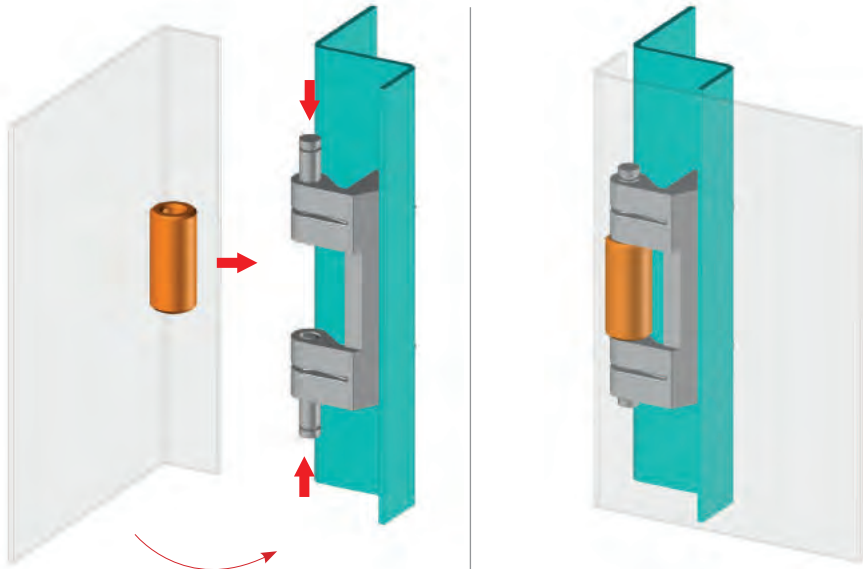
Electric panels, machinery covers

MATERIAL

BODY: Zamak DIN-EN 1774-ZnAl4Cu1
 FIXED PART: Steel
 PIN: Stainless Steel

FINISH

BODY: No finish
 FIXED PART: Copper plated



PRODUCT CODE

096 - 1 - 3 - 2

GROUP CODE MATERIAL FINISH VERSION

Hinge Rotation Angle



Note: Bolts are supplied

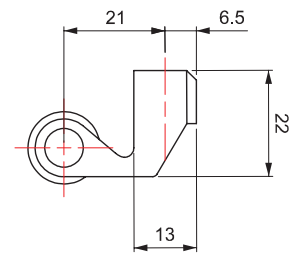
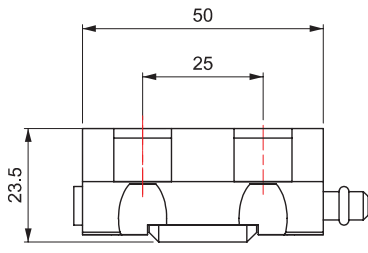
▶ CONCEALED HINGES

CONCEALED HINGE

296



LH/RH



- For doors with a 23.5 mm bend.
- Smaller, more competitive alternative to 096 hinge

APPLICATIONS

Electric panels, machinery covers

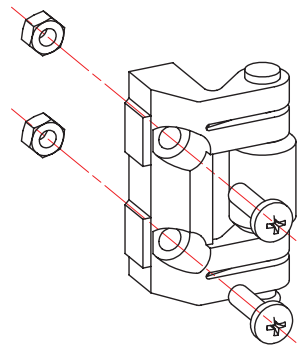
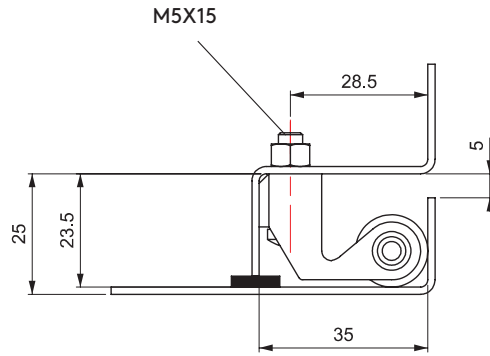
MATERIAL

BODY: Zamak DIN-EN 1774-ZnAl4Cu1

FIXED PART: Steel

FINISH

BODY: No finish
WELDING PART: Copper plated

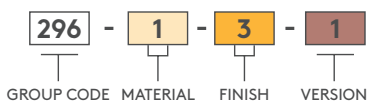


Hinge Rotation Angle



⚠ Note: Bolts are not supplied

PRODUCT CODE



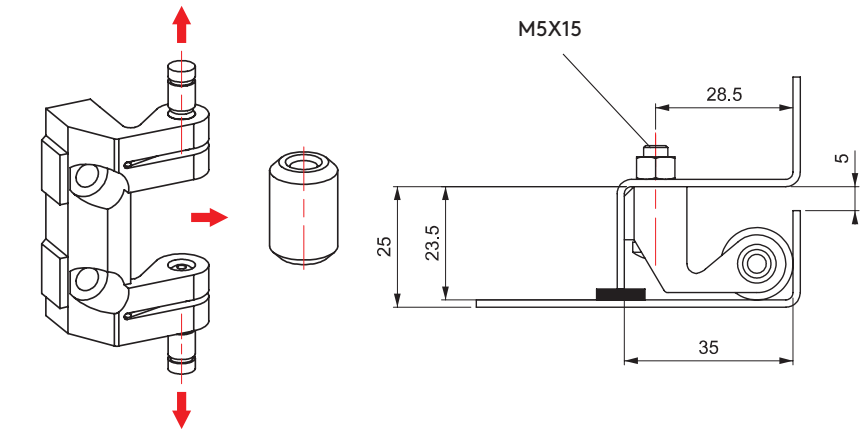
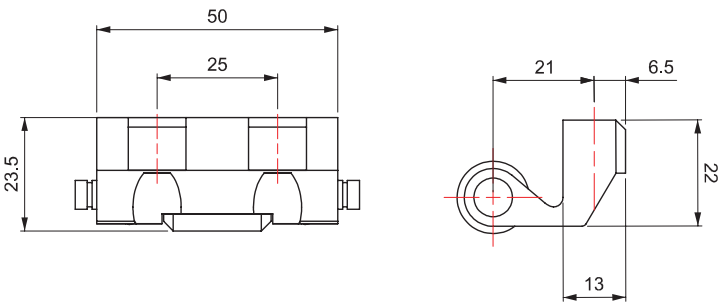


296

CONCEALED HINGE



LH/RH

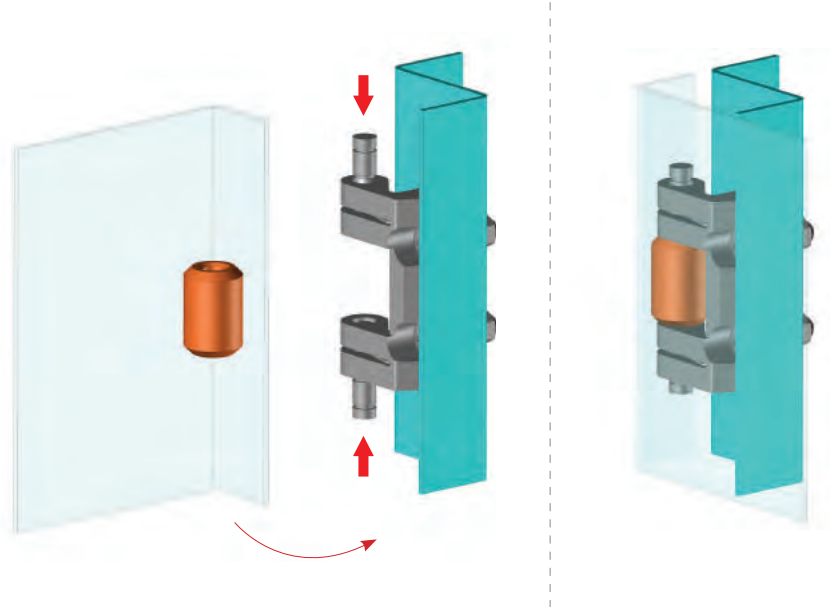


- Door part can be removed out from frame part without removing the pins
- Provides easy assembly
- Suitable for 23.5mm door bend

APPLICATIONS
Electric panels, machinery covers

MATERIAL
BODY: Zamak DIN-EN 1774-ZnAl4Cu1
FIXED PART: Steel

FINISH
BODY: No finish
FIXED PART: Copper plated



Hinge Rotation Angle



PRODUCT CODE
 296 - 1 - 3 - 2
 GROUP CODE MATERIAL FINISH VERSION

Note: Bolts are not supplied

▶ CONCEALED HINGES

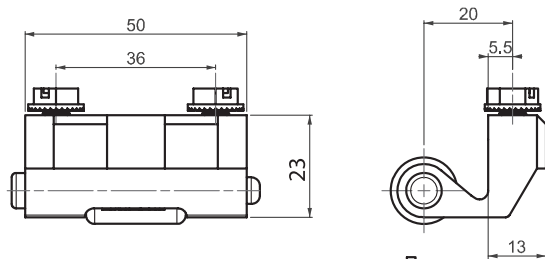
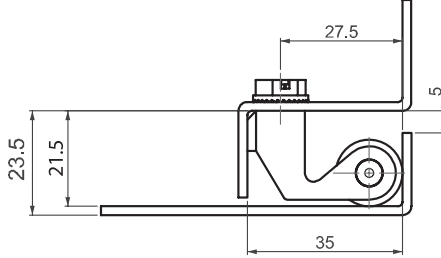
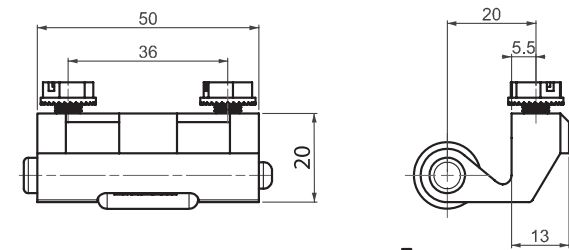
CONCEALED HINGE

196

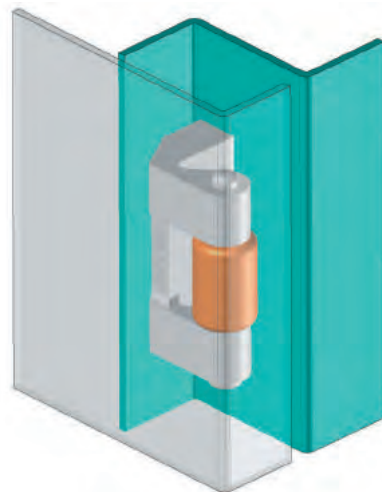
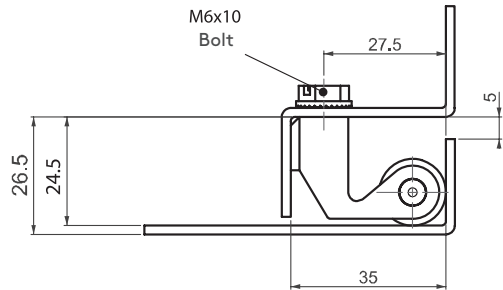


LH/RH

V : 20



V : 23



- For 21.5 mm to 24.5 mm bended doors
- Two sizes available
- Smaller alternative to 096 hinge

APPLICATIONS

Electric panels, machinery covers

MATERIAL

BODY: Zamak DIN-EN 1774-ZnAl4Cu1

FIXED PART: Steel

FINISH

BODY: No finish
WELDING PART: Copper plated

Hinge Rotation Angle



⚠ Note: Bolts are supplied

PRODUCT CODE

196 - V

GROUP CODE VERSION



1495

CONCEALED HINGE



LH/RH

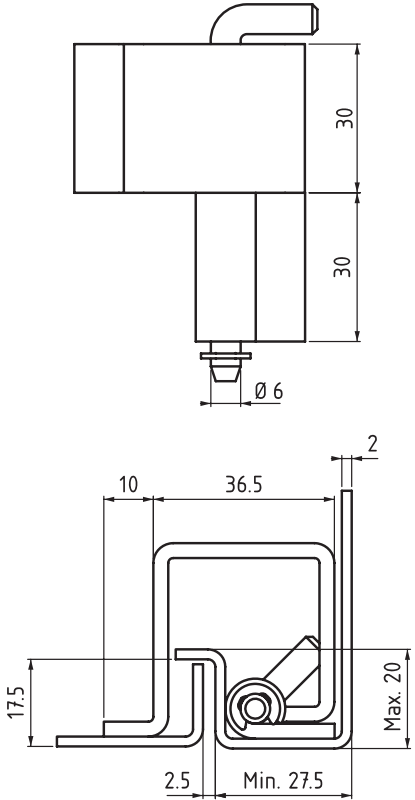


- Frame part and door parts are welded on
- Used for special geometry profiles of the cabinets

APPLICATIONS
Electric panels, machinery covers

MATERIAL
BODY: Steel
PIN: Steel

FINISH
No finish



PRODUCT CODE

1495 - 6 - 3

GROUP CODE MATERIAL FINISH

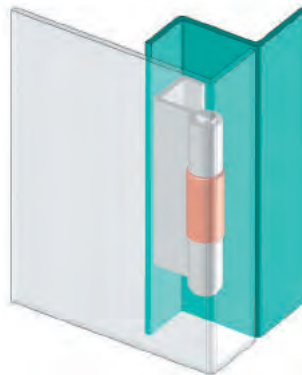
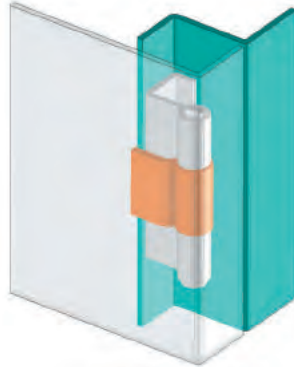
▶ CONCEALED HINGES

CONCEALED HINGE

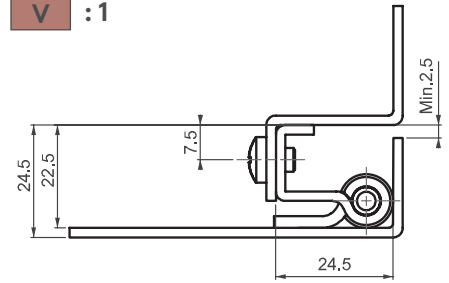
095



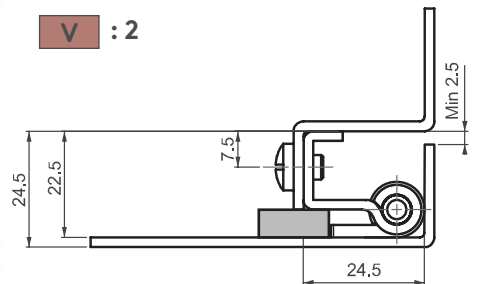
LH/RH



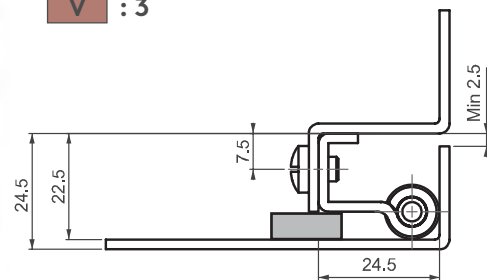
V : 1



V : 2



V : 3



- **Stainless steel version: page 458**
- For doors with a bend of 22.5 mm or more. Available drilled with two holes or with two-mounting studs.
- Centre part available in different versions

APPLICATIONS

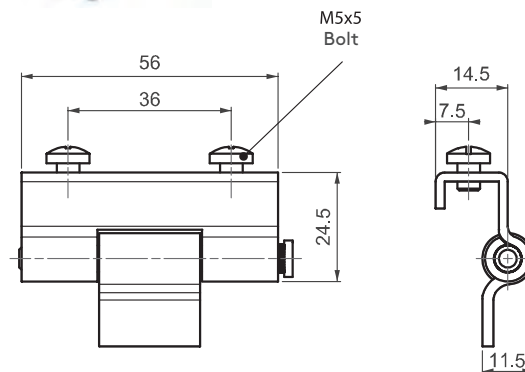
Electric panels, machinery covers

MATERIAL

Steel

FINISH

BODY: Zinc plated
WELDING PART: Copper plated



Hinge Rotation Angle



▲ Note: Bolts are supplied

PRODUCT CODE

095 - 6 - 3 - V - 0
GROUP CODE MATERIAL FINISH VERSION HOLE

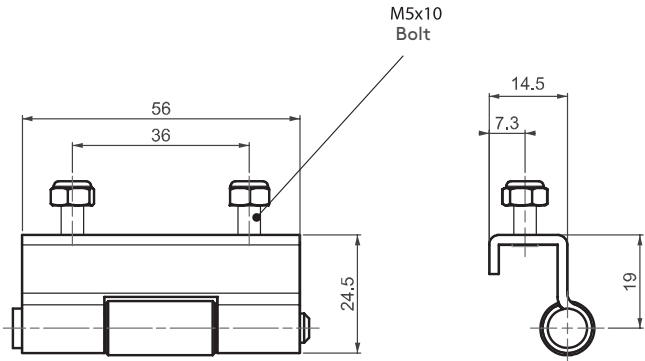


095

CONCEALED HINGE



LH/RH

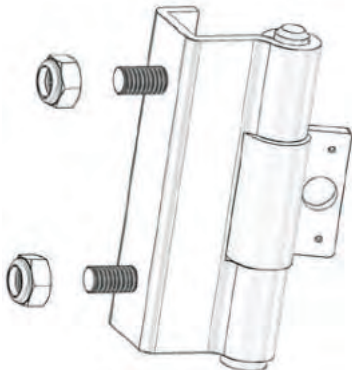


- For doors with a bend of 22.5 mm or more
- Available drilled with two holes or with two-mounting studs
- Centre part available in different versions

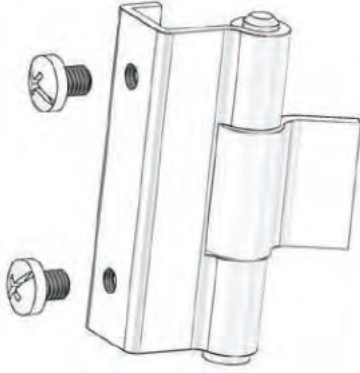
APPLICATIONS
Electric panels, machinery covers

MATERIAL
Steel

FINISH
BODY: Zinc plated
WELDING PART: Copper plated



Stud



Hole

Hinge Rotation Angle



Note: Bolts are supplied

PRODUCT CODE



CONCEALED HINGES

CONCEALED HINGE

195



LH/RH

- For doors with a bend of between 23.5 mm and 25.5 mm
- Easily fixed to panel or door profile

APPLICATIONS

Electric panels, machinery covers

MATERIAL

Steel

FINISH

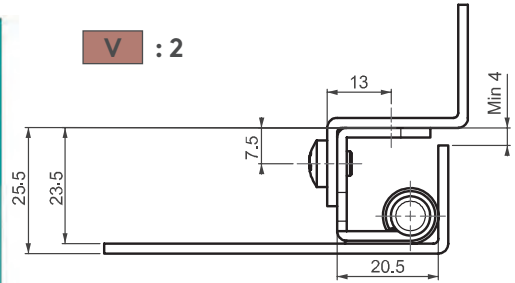
BODY: Zinc plated

WELDING PART: Copper plated

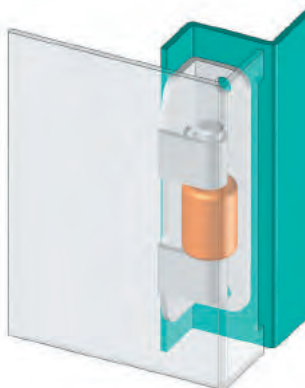
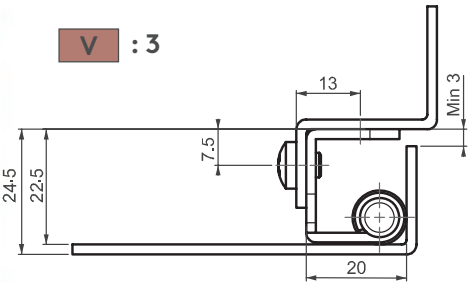
Fixed: 1



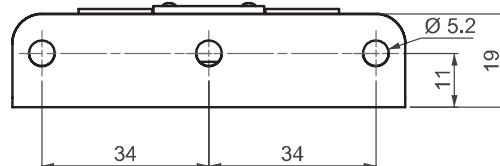
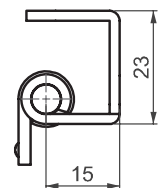
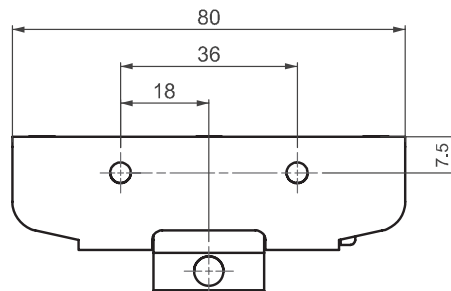
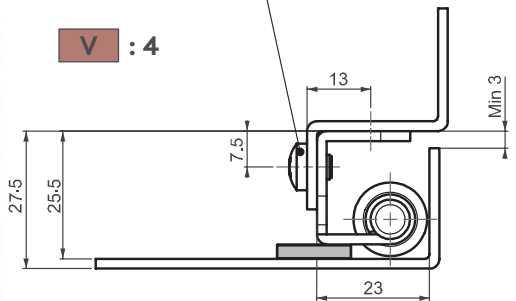
V : 2



V : 3



V : 4



Hinge Rotation Angle



Note: Bolts are supplied



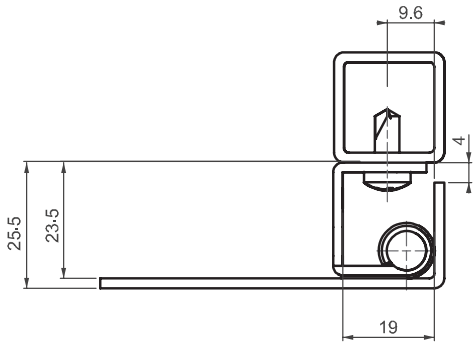
Fixed: 2
For profile body

195

CONCEALED HINGE



LH/RH



- For doors with a bend of between 23.5 mm and 25.5 mm
- Easily fixed to panel or door profile

APPLICATIONS

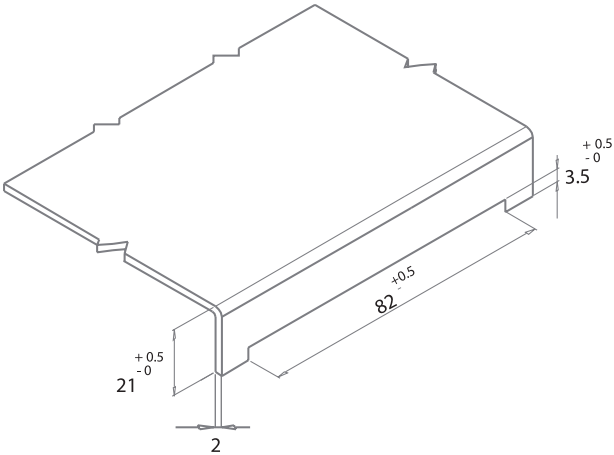
Electric panels, machinery covers

MATERIAL

Steel

FINISH

BODY: Zinc plated
WELDING PART: Copper plated



PRODUCT CODE

195 - V

GROUP CODE VERSION

Hinge Rotation Angle



Note: Bolts are supplied

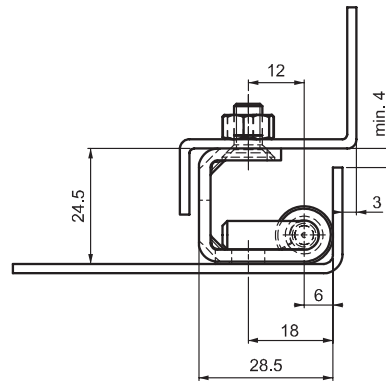
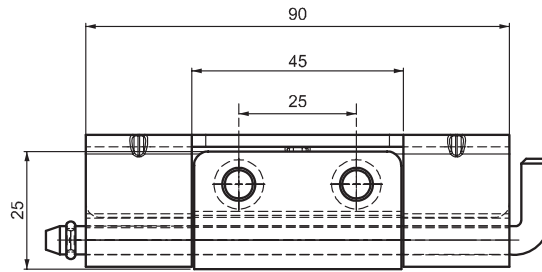
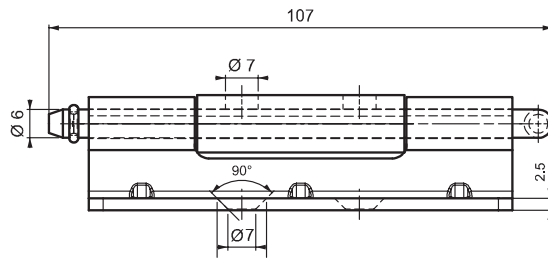
CONCEALED HINGES

CONCEALED HINGE

995



LH/RH



- **Stainless Steel version:** page: 459
- Side part can be mounted with M5 screws
- Centre part copper plated for easy welding
- Suitable for heavy-duty applications
- Suitable for 25 mm bend door cabinets

APPLICATIONS

Electric panels, machinery covers

MATERIAL

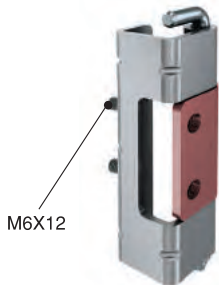
Steel

FINISH

BODY: Zinc plated
WELDING PART: Copper plated

Note: Bolts are not supplied

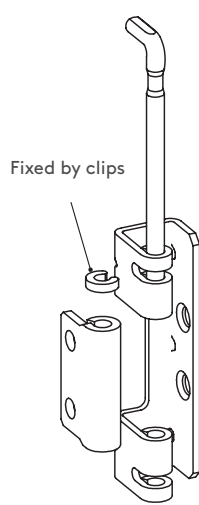
Stud version



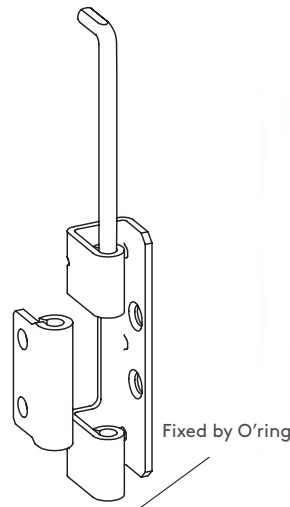
Hinge Rotation Angle



Note: Nuts are not supplied



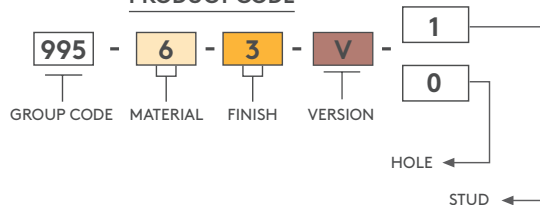
V:4



V:3



PRODUCT CODE



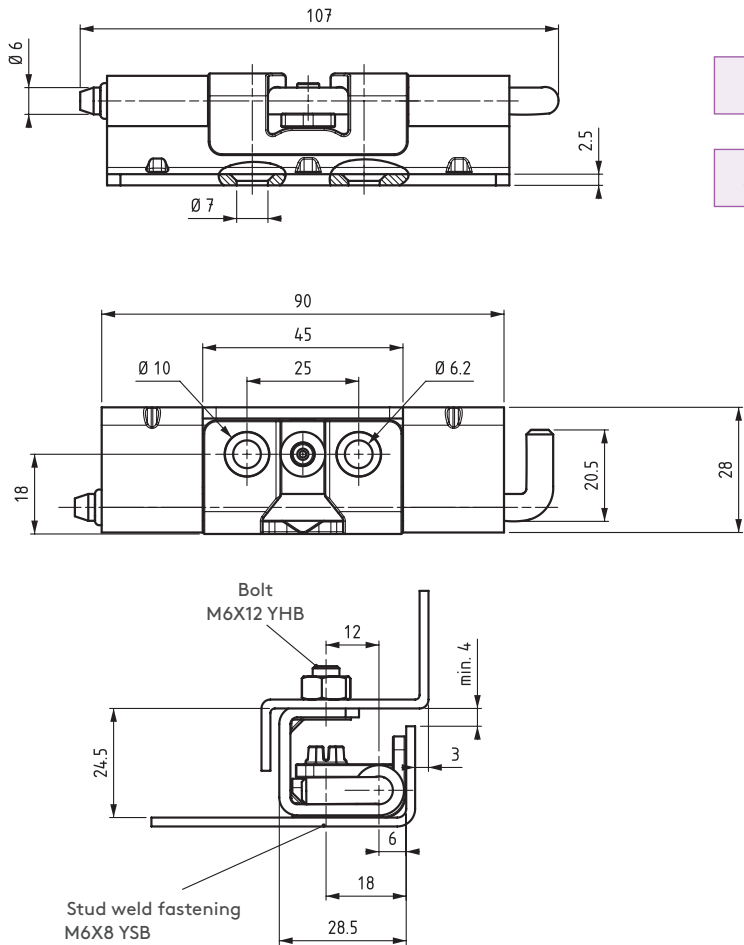


995

CONCEALED HINGE



LH/RH



- Suitable for heavy-duty applications
- Suitable for Left- and right-hand applications
- Suitable for 25 mm bend door cabinets
- Door part can be removed by a screw

APPLICATIONS
Electric panels, machinery covers

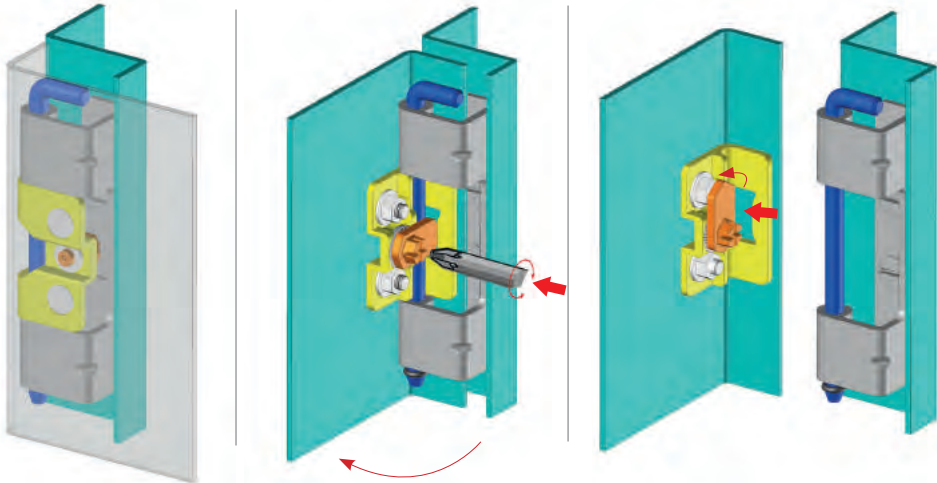
MATERIAL
BODY: Steel
WELDING PART: Zamak DIN-EN 1774-ZnAl4Cu1

FINISH:
BODY: Zinc plated
WELDING PART: Zinc plated

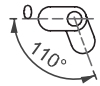
Position 1
Closed door

Position 2
After the door is opened, cam is rotated 90° with a screwdriver

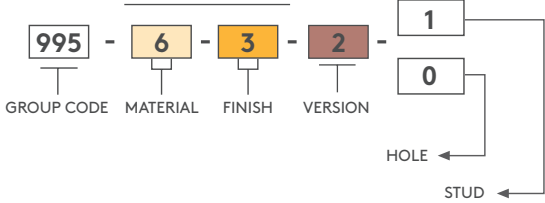
Position 3
The cover is removed



Hinge Rotation Angle



PRODUCT CODE



Note: Bolts and nuts are not supplied

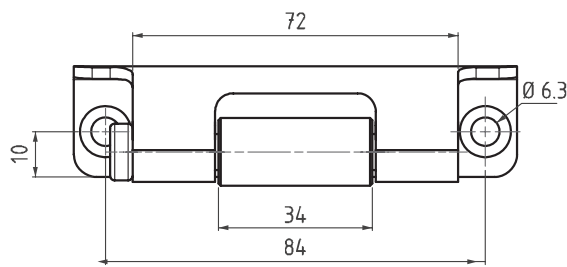
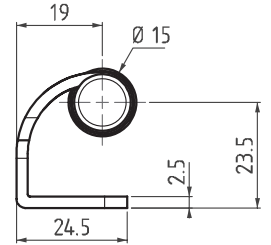
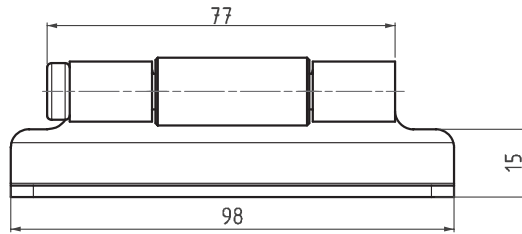
▶ CONCEALED HINGES

CONCEALED HINGE

895



LH/RH



- Side part can be mounted with M5 screws
- Centre part copper plated for easy welding
- Suitable for heavy-duty applications
- Pin should be mounted during hinge assembly

APPLICATIONS

Electric panels, machinery covers

MATERIAL

Steel

FINISH

BODY: Zinc plated
WELDING PART: Copper plated



Hinge Rotation Angle



⚠ Note: Bolts are not supplied

PRODUCT CODE

895 - 6 - 3
GROUP CODE MATERIAL FINISH

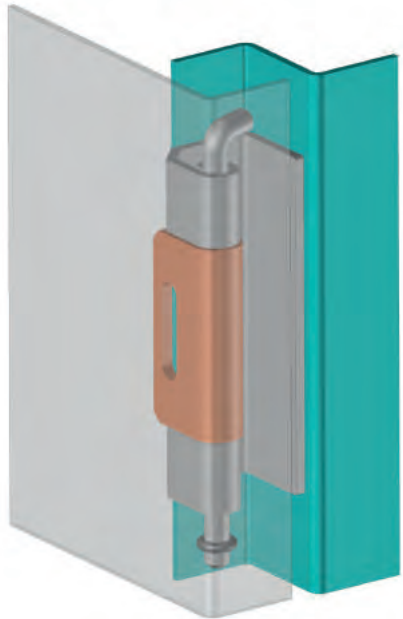
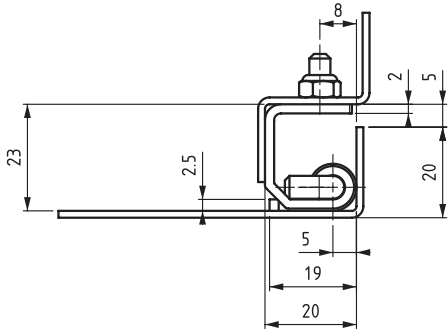
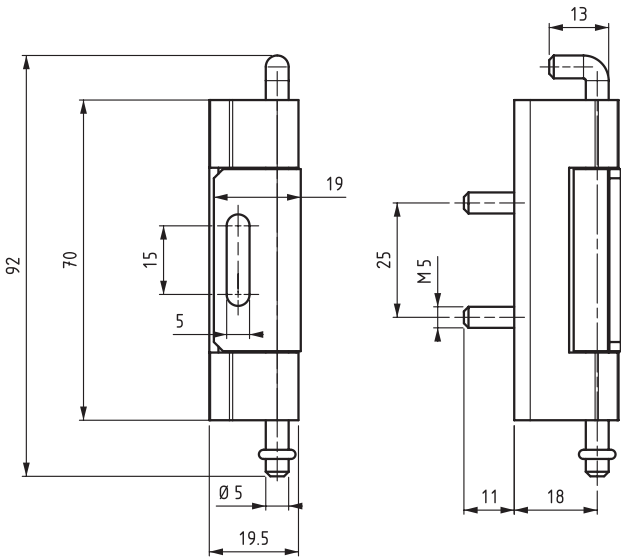


1095

CONCEALED HINGE



LH/RH



- For doors with a bend of 23 mm
- Easily fixed to panel or door profile
- Suitable for left- and right-hand application

APPLICATIONS
Electric panels, machinery covers

MATERIAL
BODY: Steel
FIXED PART: Steel
PIN: Steel

FINISH
BODY: Zinc plated
FIXED PART: Copper plated

Hinge Rotation Angle



PRODUCT CODE

1095 - 6 - 3

GROUP CODE MATERIAL FINISH

CONCEALED HINGES

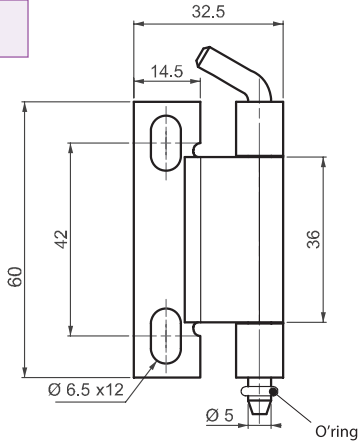
CONCEALED HINGE

295

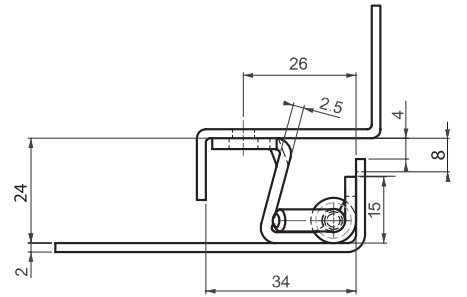
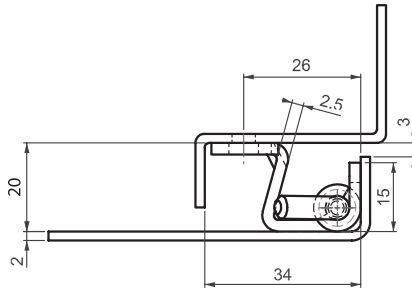
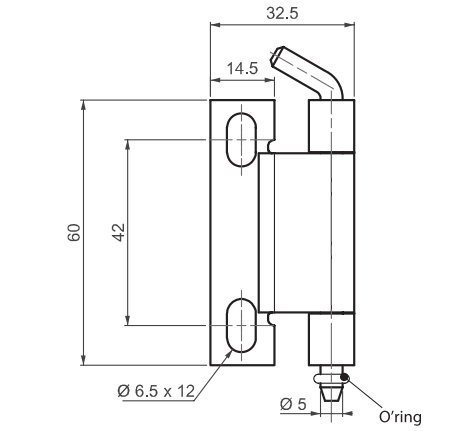


LH/RH

V : 1



V : 2



- Stainless steel version: page 450
- For doors with a bend of between 20 mm and 24 mm
- Frame part screwed on, door part welded on
- Suitable for left- and right-hand applications

APPLICATIONS

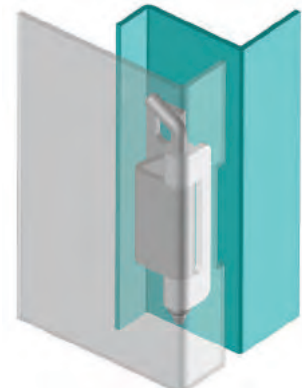
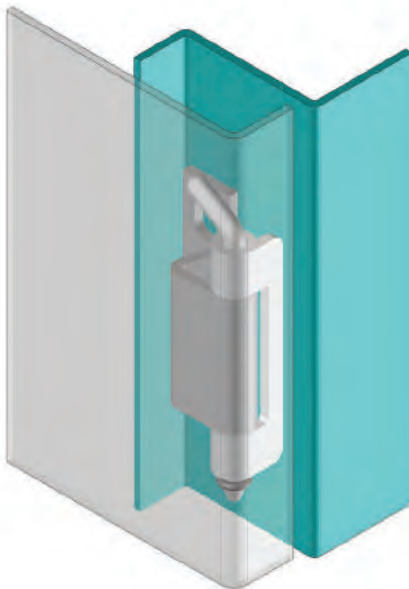
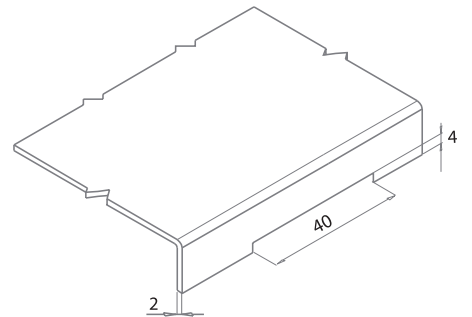
Electric panels, machinery covers

MATERIAL

Steel

FINISH

BODY: Zinc plated
WELDING PART: Copper plated

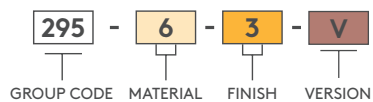


Hinge Rotation Angle



! Note: Bolts are not supplied

PRODUCT CODE





295

CONCEALED HINGE

V : 3

V : 4



LH/RH

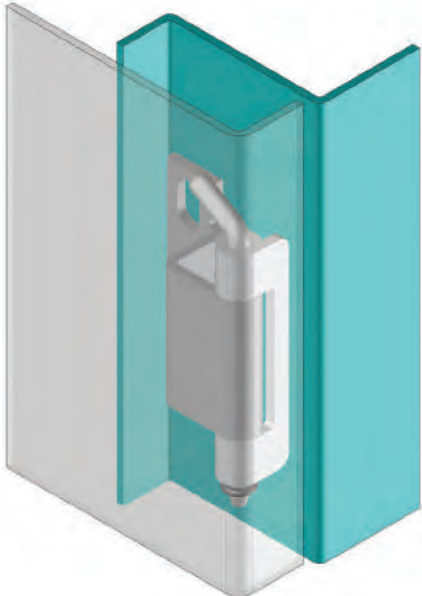
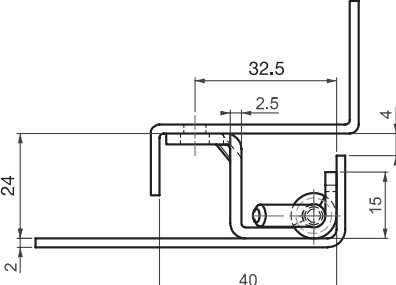
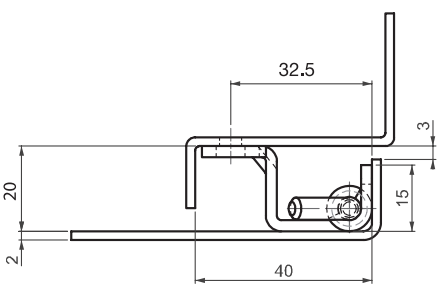
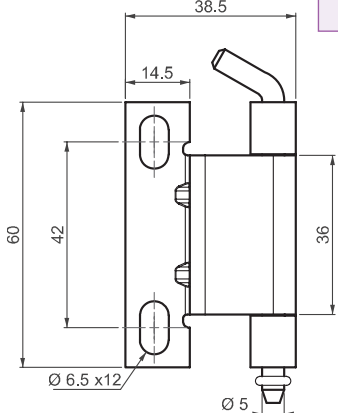
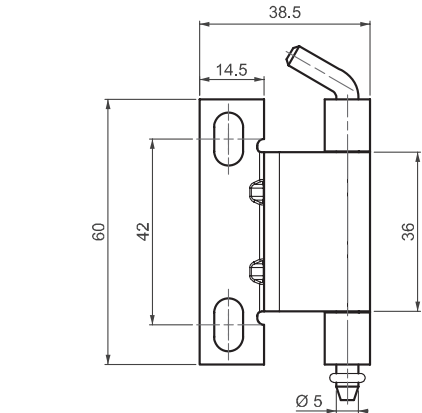


• Stainless steel version: page 451

APPLICATIONS
Electric panels, machinery covers

MATERIAL
Steel

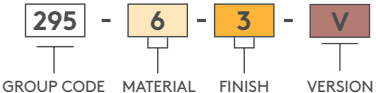
FINISH
BODY: Zinc plated
WELDING PART: Copper plated



Hinge Rotation Angle



PRODUCT CODE



Note: Bolts are not supplied

CONCEALED HINGES

CONCEALED HINGE

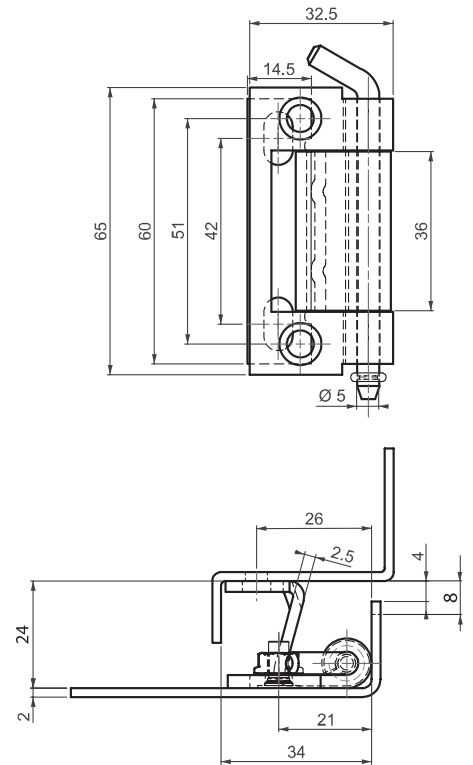
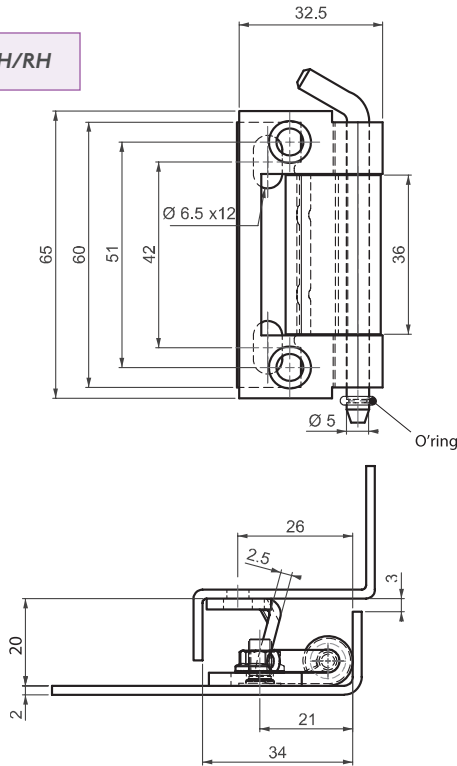
395



LH/RH

V :1

V :2



- **Stainless steel version: page 452**
- For doors with a bend of between 20 mm and 24 mm
- Frame part screwed on, door part welded on
- Suitable for left- and right-hand application

APPLICATIONS

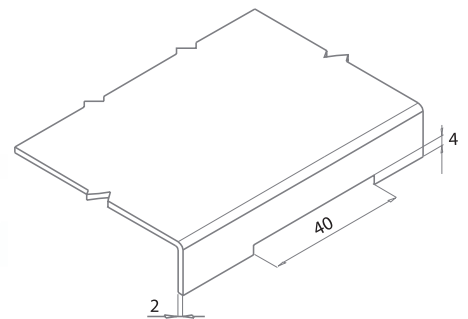
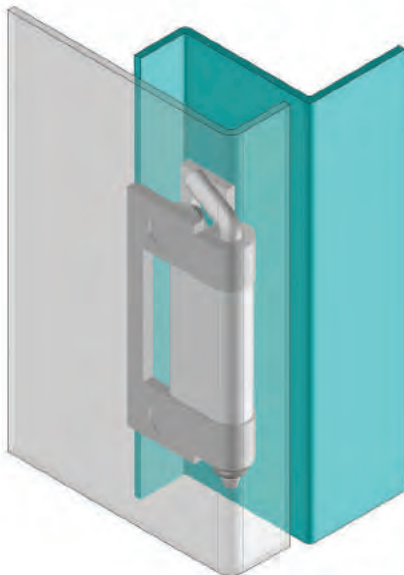
Electric panels, machinery covers

MATERIAL

Steel

FINISH

Zinc plated



Hinge Rotation Angle



Note: Bolts are not supplied

PRODUCT CODE

395 - **6** - **3** - **V**
 GROUP CODE MATERIAL FINISH VERSION



395

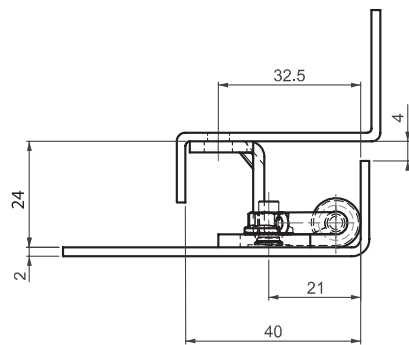
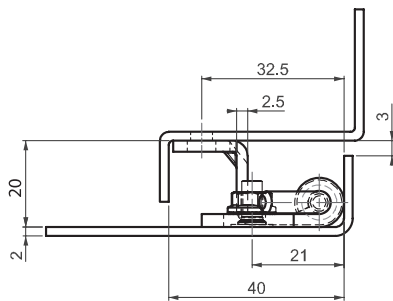
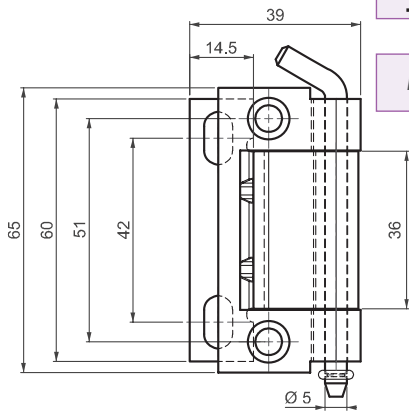
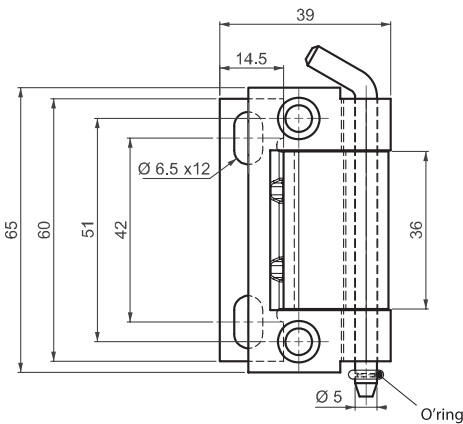
CONCEALED HINGE

V : 3

V : 4



LH/RH

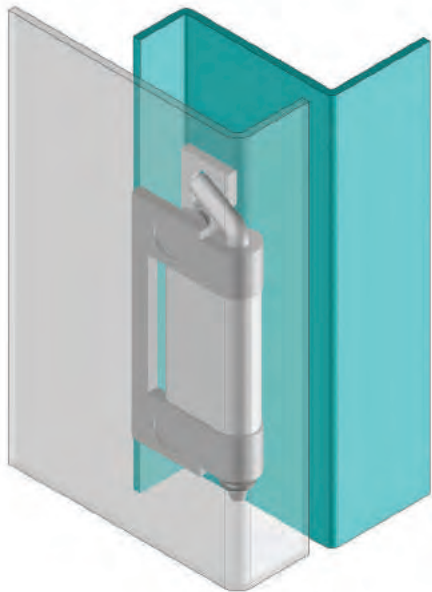


• Stainless steel version: page 453

APPLICATIONS
Electric panels, machinery covers

MATERIAL
Steel

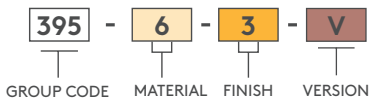
FINISH
Zinc plated



Hinge Rotation Angle



PRODUCT CODE



⚠ Note: Bolts are not supplied

▶ CONCEALED HINGES

CONCEALED HINGE

695



LH/RH



- **Stainless steel version: page 454**
- For doors with a bend of 18 mm
- Frame part screwed on, door part either welded or screwed on
- Suitable for left- and right-hand applications

APPLICATIONS

Electric panels, machinery covers

MATERIAL

Steel

FINISH

BODY: Zinc plated

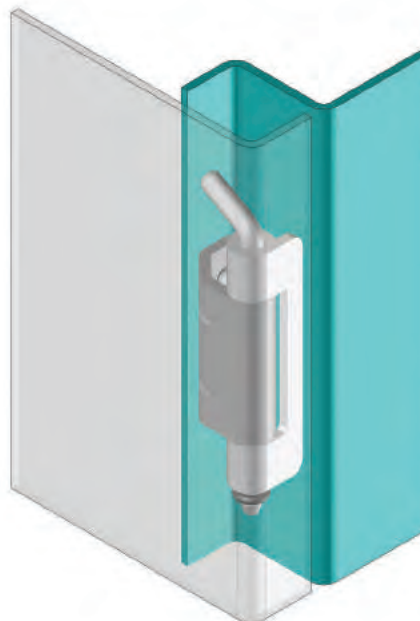
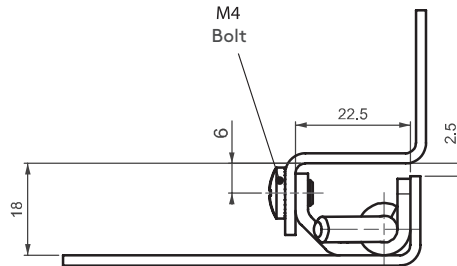
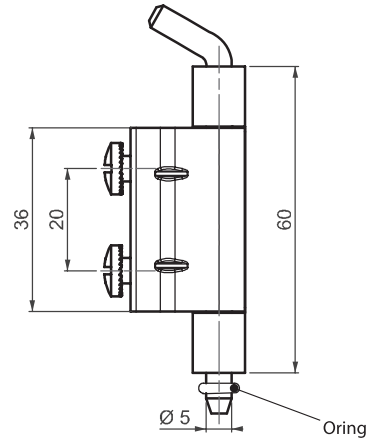
WELDING PART: Copper plated

Hinge Rotation Angle



⚠ Note: Bolts are not supplied

V :1



PRODUCT CODE

695 - 6 - 3 - 1

GROUP CODE MATERIAL FINISH VERSION

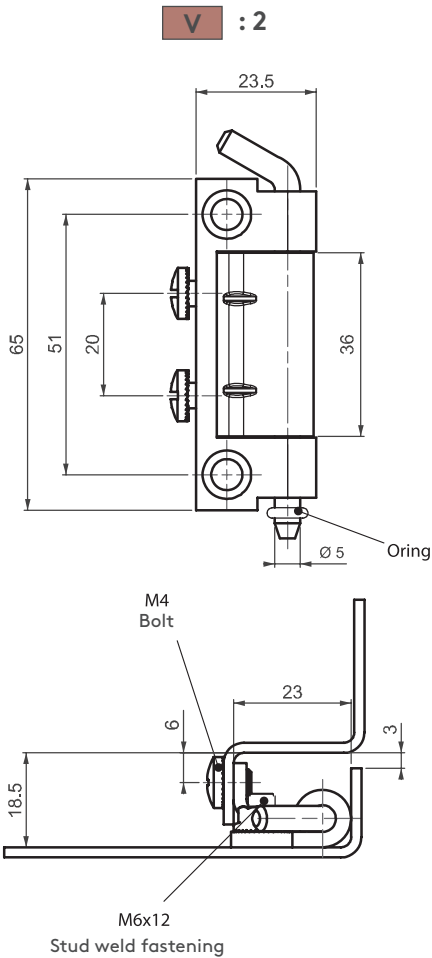


695

CONCEALED HINGE



LH/RH



- Stainless steel version: page 455
- For doors with a bend of 18.5 mm
- Frame part screwed on, door part mounted by nut to welded stud on door
- Suitable for left- and right-hand application

APPLICATIONS
Electric panels, machinery covers

MATERIAL
Steel

FINISH
Zinc plated

Hinge Rotation Angle



PRODUCT CODE

695	-	6	-	3	-	2
GROUP CODE		MATERIAL		FINISH		VERSION

Note: Bolts are not supplied

CONCEALED HINGES

CONCEALED HINGE

795



LH/RH

- **Stainless steel version: page 456**
- For doors with a bend of 20 mm to fix profiles
- Frame part screwed on, door part mounted by nut to welded stud on door
- Suitable for left- and right-hand application

APPLICATIONS

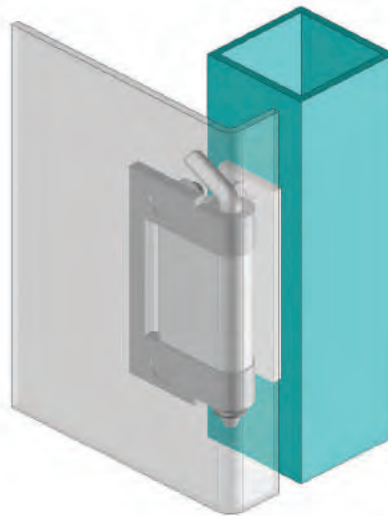
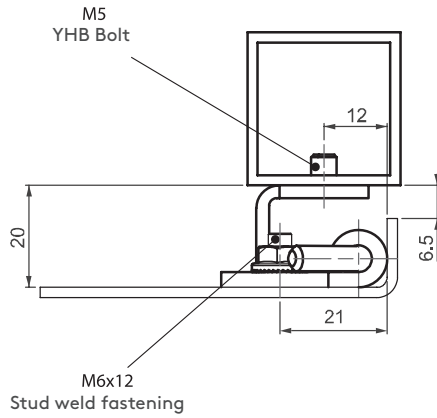
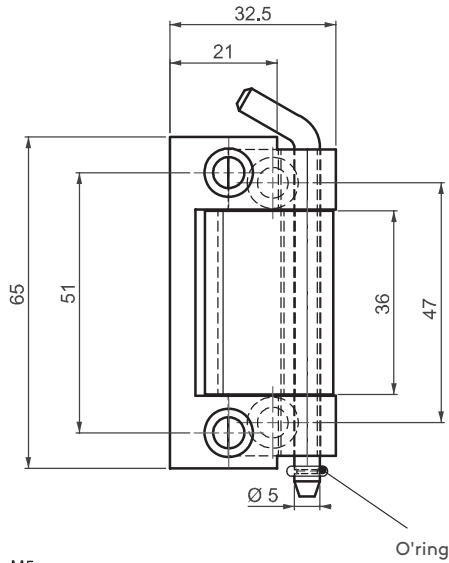
Electric panels, machinery covers.

MATERIAL

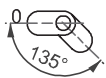
Steel

FINISH

Zinc plated



Hinge Rotation Angle



⚠ Note: Bolts are not supplied

PRODUCT CODE

795 - 6 - 3
 GROUP CODE MATERIAL FINISH

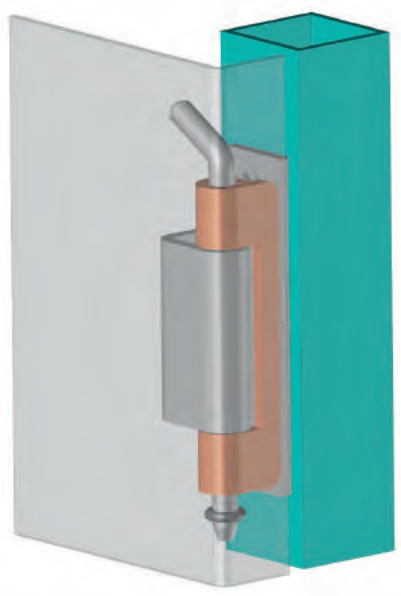
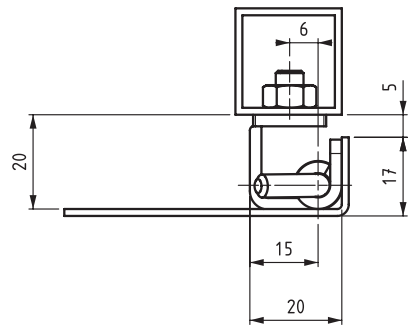
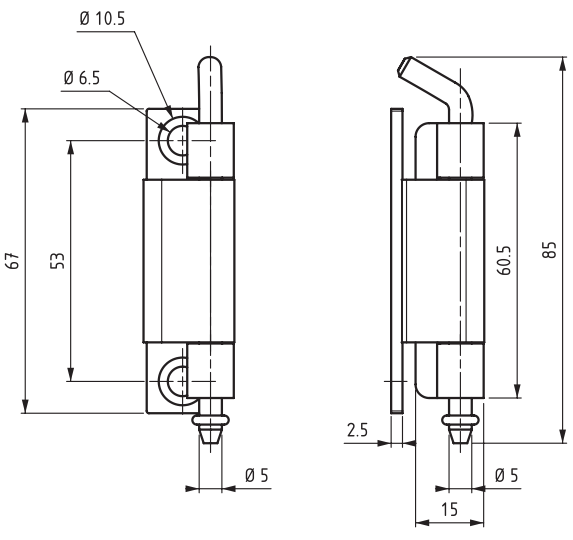


1795

CONCEALED HINGE



LH/RH



- For doors with a bend of between 20 mm
- Easily fixed to panel or door profile due to hinge design
- Suitable for left - and right- hand applications

APPLICATIONS

Electric panels, machinery covers

MATERIAL

BODY: Steel
 FIXED PART: Steel
 PIN: Steel

FINISH

BODY: Zinc plated
 FIXED PART: Copper plated

Hinge Rotation Angle



⚠ Note: Bolts are not supplied

PRODUCT CODE

1795 - 6 - 3

GROUP CODE MATERIAL FINISH

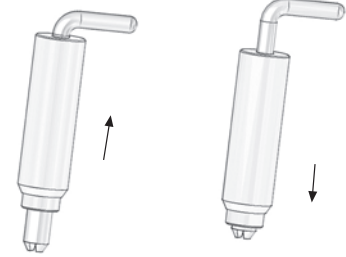
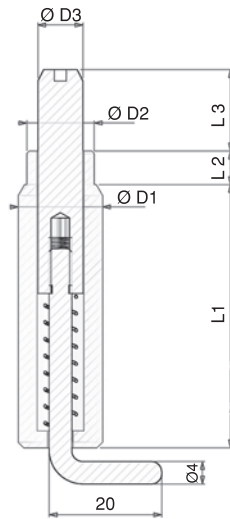
CONCEALED HINGES

SPRING LOADED

189



LH/RH



- For internally mounted doors
- Spring loaded hinge for easy door removal
- Body copper plated for easy welding. Available as spring-loaded, up-and-down pair; or spring-loaded up hinge and fixed bottom hinge

MATERIAL

Steel

FINISH

BODY: Copper plated
Other materials: Zinc plated

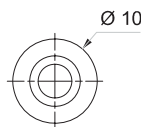
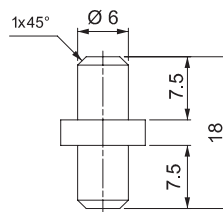


Hinge Rotation Angle



BOTTOM PIVOT PIN

32003192



Ø D1	Ø D2	Ø D3	L1 MM	L2 MM	L3 MM	PRODUCT CODE
10	8.5	6	26.5	3.5	19	189-9
10	8.5	6	38	3.5	10	189-10
12	9	6	38	3.5	10	189-12
15	12	9	47	6	14.5	189-15



389

SPRING LOADED



LH/RH



- For internally mounted doors
- Spring-loaded hinge for easy door removal
- Clip fixing for easy assembly
- Available as spring-loaded, up-and-down pair; or spring-loaded up hinge and fixed bottom hinge

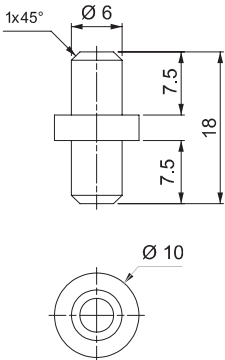
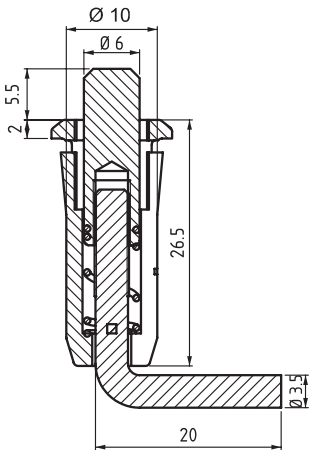
MATERIAL
 BODY: Polyamide DIN-EN ISO1043-1 PA6 GFR 30
 PIN: Steel

Hinge Rotation Angle



32003192

BOTTOM PIVOT PIN



▶ CONCEALED HINGES

CONCEALED HINGE

089



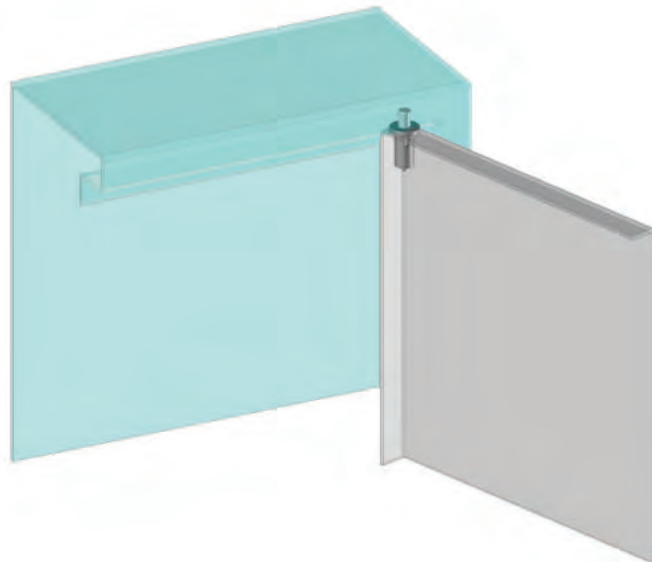
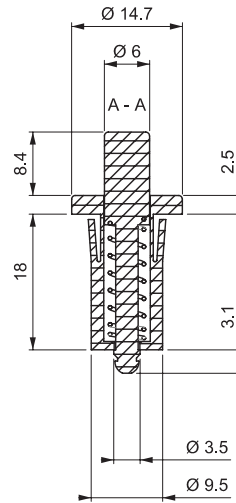
LH/RH

- For internally mounted doors
- Spring-loaded hinge for easy door removal
- Clip fixing for easy assembly
- Available as spring-loaded, up-and-down pair; or spring-loaded up hinge and fixed bottom hinge

MATERIAL

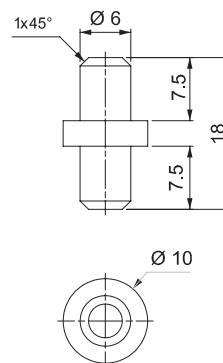
BODY: Polyamide DIN-EN ISO1043-1 PA6 GFR 30
PIN: Steel

Hinge Rotation Angle



BOTTOM PIVOT PIN

32003192



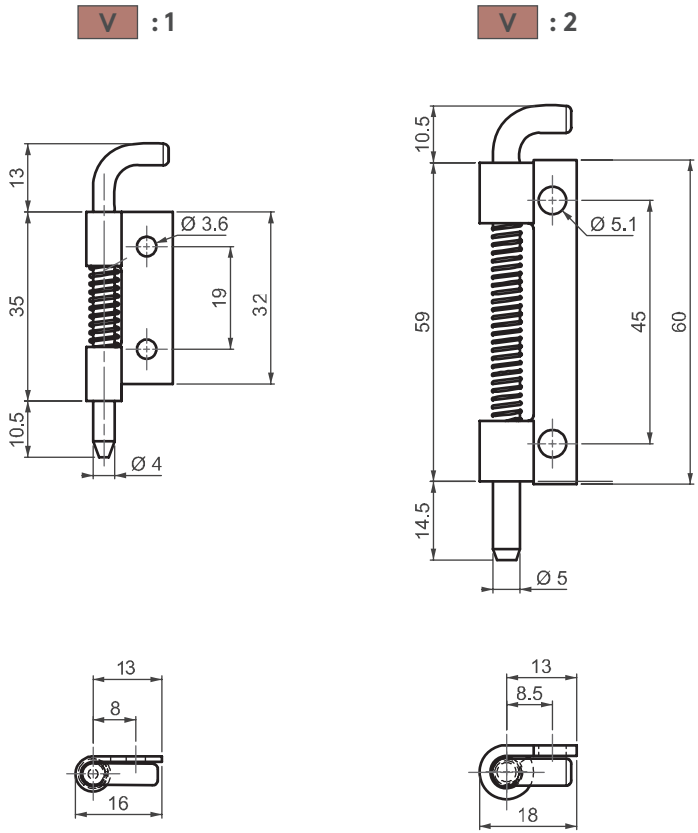


289

CONCEALED HINGE



LH/RH

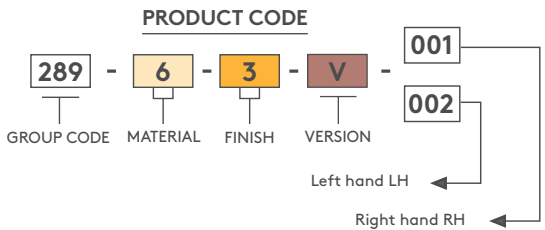
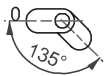


- Stainless steel version: page 457
- For internally mounted doors
- Spring loaded hinge for easy door removal
- Both versions are either screwed or welded on
- Suitable for left- and right-hand application

MATERIAL
Steel

FINISH
Zinc plated

Hinge Rotation Angle



⚠ **Note:** Bolts are not supplied

⚠ **Note:** Assembled RH (as drawn)
Assembled LH (mirror inverted)

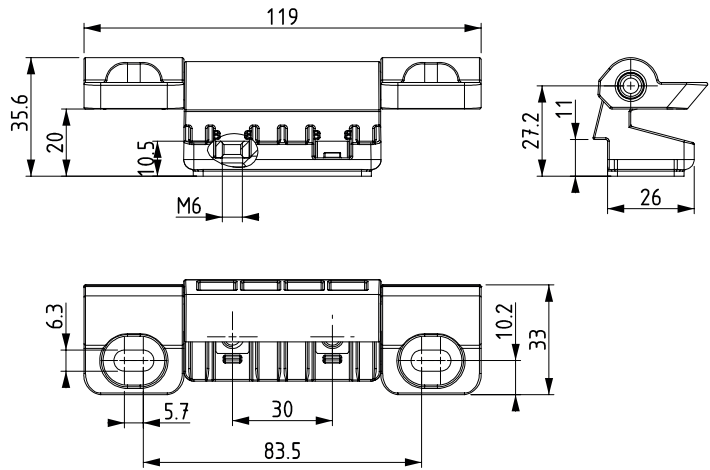
▶ CONCEALED HINGES

CONCEALED HINGE

394



LH/RH



- Suitable for lightweight panels and applications
- Left and right hand application is possible
- Suitable for M6 screws
- 90° hinge rotation angle

APPLICATIONS

Truck tool boxes

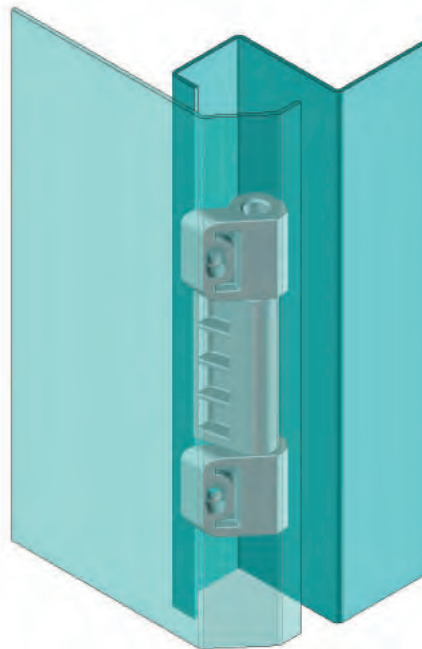
MATERIAL

FRAME PART: PA6 GFR30

DOOR PART: PA6 GFR30

NUT: Steel

Hinge Rotation Angle



⚠ Note: Bolts are not supplied

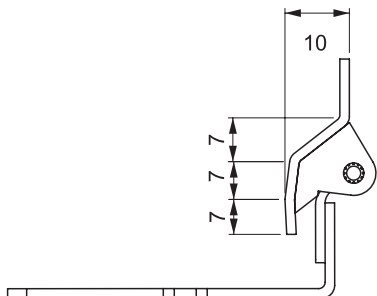
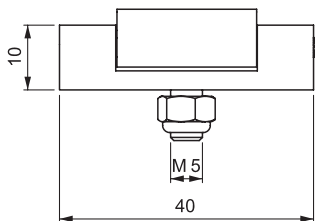
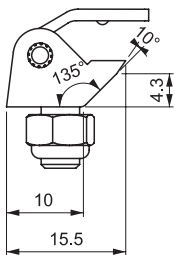


294

CONCEALED HINGE



LH/RH



- For small panels having a 10 mm internal bend
- Designed to maximize space
- Copper plated for easy welding

APPLICATIONS

Electric panels, machinery covers

MATERIAL

BODY: Zamak DIN-EN 1774-ZnAl4Cu1
 FIXED PART: Steel
 PIN: Steel

FINISH

BODY: Zinc plated
 FIXED PART: Copper plated



Hinge Rotation Angle



Note: Bolts are not supplied

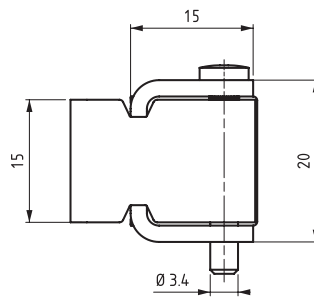
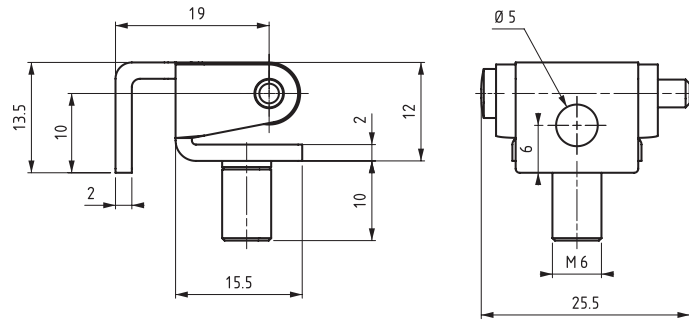
▶ CONCEALED HINGES

CONCEALED HINGE

595



LH/RH



- Can be used for small size panels

APPLICATIONS
Electric panels

MATERIAL
Steel

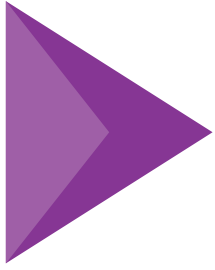
FINISH
BODY: Zinc plated
FIXED PART: No finish



PRODUCT CODE

595 - 6 - 3
 GROUP CODE MATERIAL FINISH





HINGES







CORNER HINGES

GROUP CODE	PRODUCT NAME
497	CORNER HINGE
097	CORNER HINGE
197	CORNER HINGE
297	CORNER HINGE
397	CORNER HINGE
298	CORNER HINGE
098	CORNER HINGE
398	CORNER HINGE
498	CORNER HINGE
400	CORNER HINGE
200	CORNER HINGE
100	CORNER HINGE
600	CORNER HINGE/HVAC HINGE
700	CORNER HINGE/HVAC HINGE



ESSENTRA

PAGE	
301	
302	
303	
304	
305	
306	
307	
308 - 309	
310	
311	
312 - 313	
314	
315 - 317	
318 - 319	





CORNER HINGES



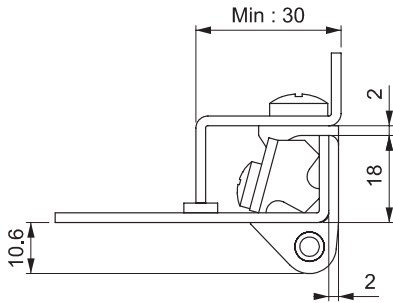
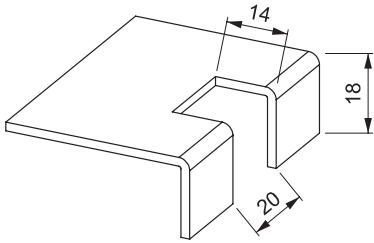
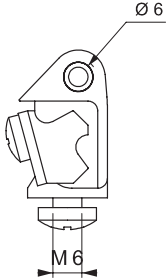
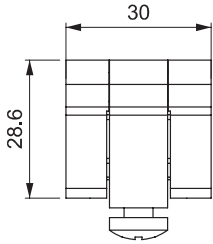


497

CORNER HINGE



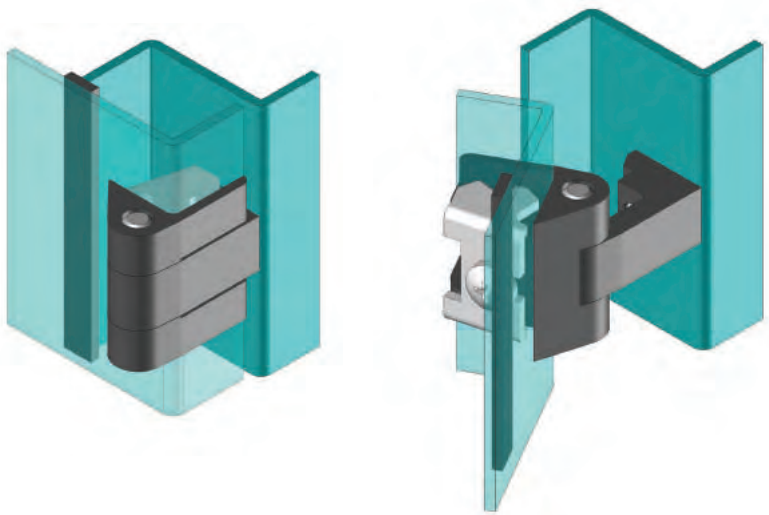
LH/RH



- Corner hinge
- Grounding is possible

MATERIAL
 DOOR PART: Zamak DIN-EN 1774-ZnAl4Cu1
 FRAME PART: Zamak DIN-EN 1774-ZnAl4Cu1
 FIXING BRACKET: Steel

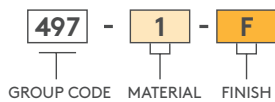
FINISH
 Chrome plated or black coated



Hinge Rotation Angle
 0° - 180°

! Note: Bolts are supplied

PRODUCT CODE



MATERIAL	M	FINISH	F
Zamak	1	Chrome	1
		Black coated	2

! Note: The listing of this/these product(s) in the catalogue does not constitute an offer to sell any of those products in Germany

CORNER HINGES

CORNER HINGE

097



LH/RH

- Stainless steel version: page 460
- Corner hinge
- Suitable for steel panels with a thickness of between 1.0 mm - 2.2 mm and 2.5 mm
- Hinge pin available in three types

APPLICATIONS

Small electric panels

MATERIAL

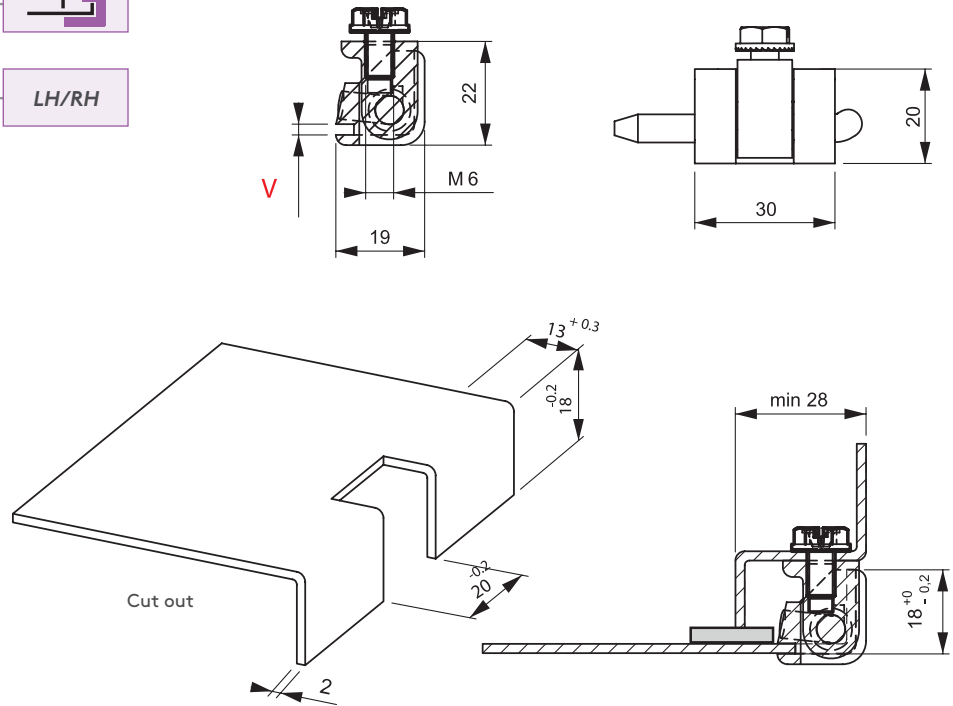
FIXED, MOVABLE PARTS:

Zamak DIN-EN 1774-ZnAl4Cu1

PIN: Steel or poliasetal (Delrin)

FINISH

Chrome plated or black coated



V : 15

1.0 mm - 1.2 mm
thickness panel
(097 M-F-P-15)

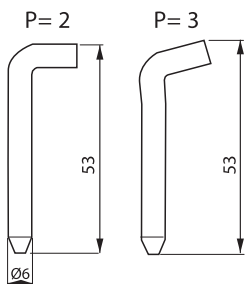
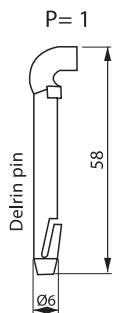
V : 22

1.5 mm - 2 mm
thickness panel
(097 M-F-P-22)

V : 25

2 mm - 2.5 mm
thickness panel
(097 M-F-P-25)

Hinge Rotation Angle



PRODUCT CODE

097 - 1 - F - P - V
GROUP CODE MATERIAL FINISH PIN VERSION

MATERIAL	M	FINISH	F
Zamak	1	Chrome	1
		Black coated	2



197

CORNER HINGE



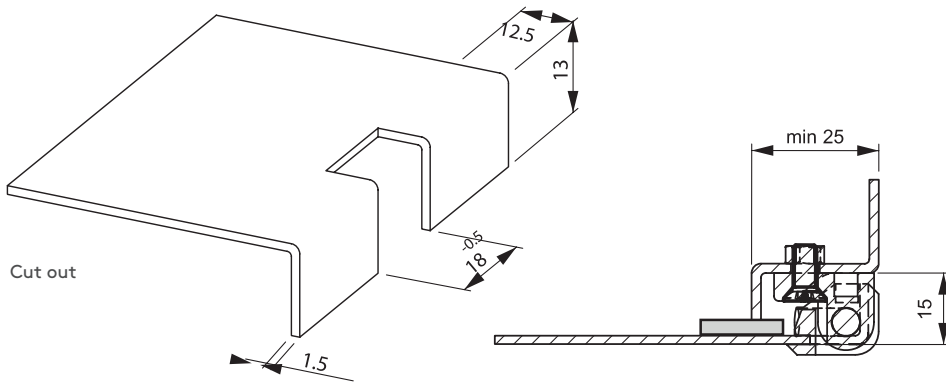
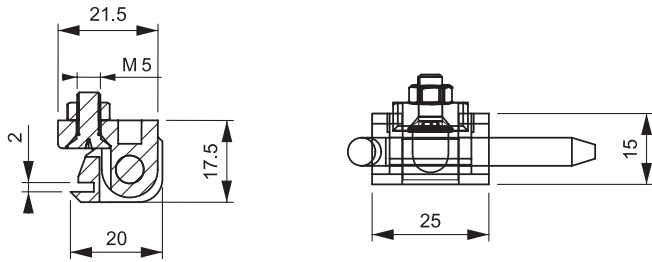
LH/RH



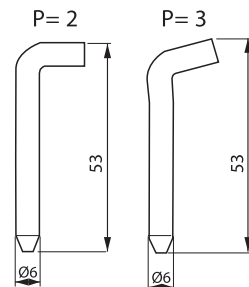
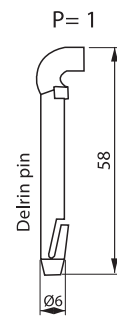
- Corner hinge. Suitable for steel panels with a thickness of between 1.5 mm
- Hinge pin available in three types

APPLICATIONS
Small electric panels

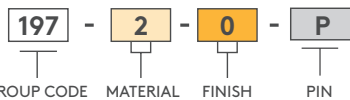
MATERIAL
BODY: Polyamide PA6 GFR 30
PIN: Steel or poliasetal (Delrin)



Hinge Rotation Angle



PRODUCT CODE



MATERIAL	M	FINISH	F
Plastic	2	No finish	0

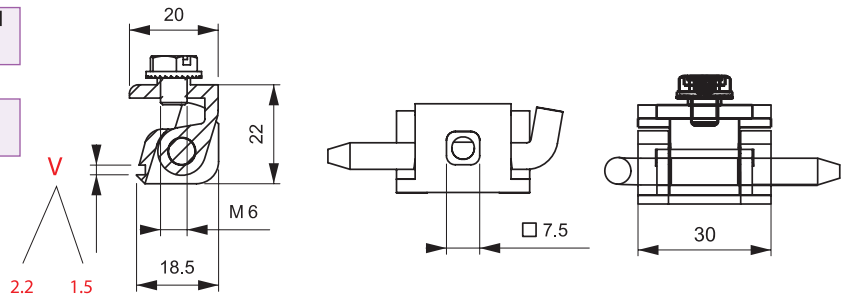
CORNER HINGES

CORNER HINGE

297



LH/RH



- Corner hinge. Cut out helps provide greater resistance than 097 hinge
- Suitable for steel panels with a thickness of between 1.0 mm and 1.5 mm
- Hinge pin available in three types

APPLICATIONS

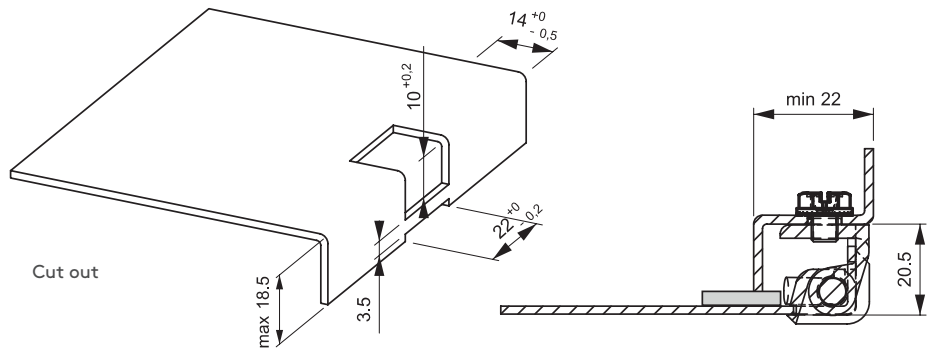
Small electric panels

MATERIAL

FIXED, MOVABLE PARTS:
Zamak DIN-EN 1774-ZnAl4Cu1
PIN: Steel or poliasetal (Delrin)

FINISH

Chrome plated or black coated



V : 15

1.0 mm - 1.2 mm thickness panel
(297 M-F-P-15)

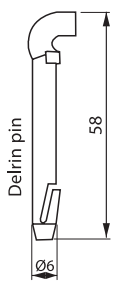
V : 22

1.5 mm thickness panel
(297 M-F-P-22)

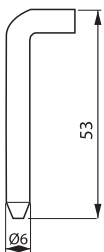
Hinge Rotation Angle



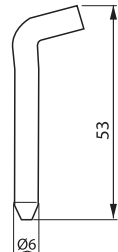
P= 1



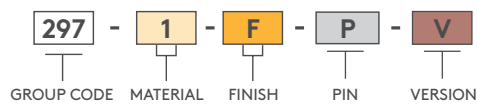
P= 2



P= 3



PRODUCT CODE



MATERIAL		M	FINISH		F
Zamak		1	Chrome		1
			Black coated		2

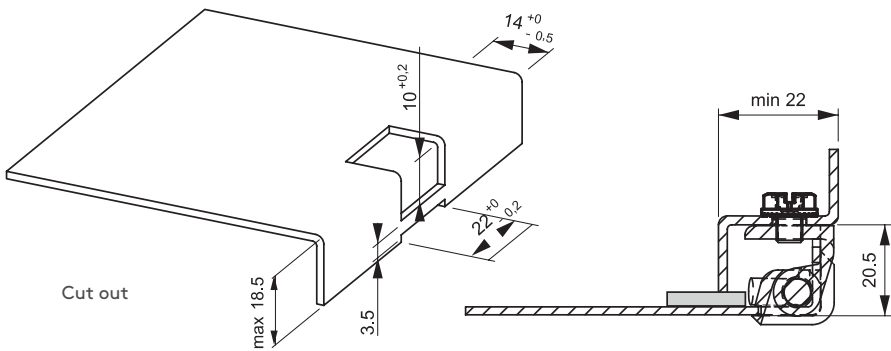
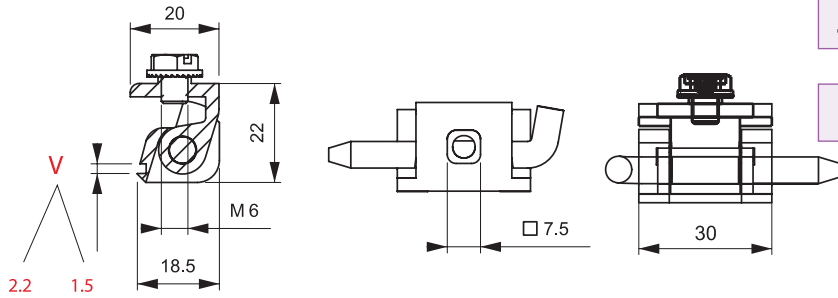


397

CORNER HINGE



LH/RH



- Corner hinge. Cut out helps provide greater resistance than 097 hinge.
- Steel frame part provides higher strength
- Suitable for steel panels with a thickness of between 1.0 mm and 1.5 mm
- Hinge pin available in four types

APPLICATIONS

Small electric panels

MATERIAL

BODY: Zamak DIN-EN 1774-ZnAl4Cu1
 FRAME PART: Steel

FINISH

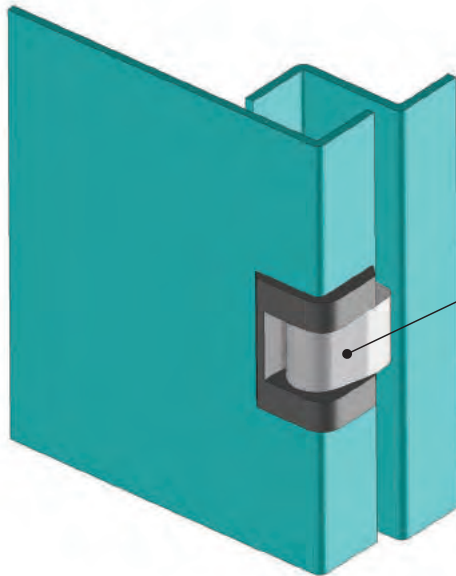
Chrome plated or black coated

V : 15

1.0 mm - 1.2 mm thickness panel (397 M-F-P-15)

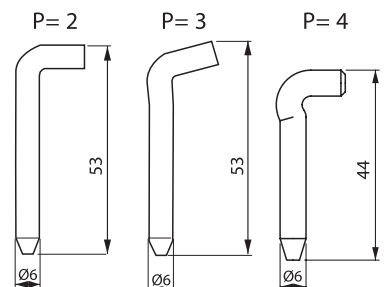
V : 22

1.5 mm thickness panel (397 M-F-P-22)

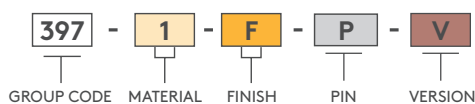


FRAME PART (Steel)

Hinge Rotation Angle



PRODUCT CODE



MATERIAL	M	FINISH	F
Zamak	1	Chrome	1
		Black coated	2

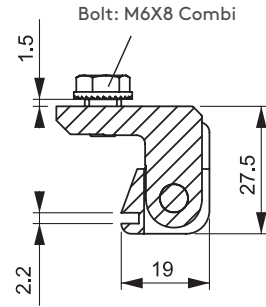
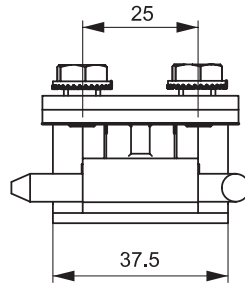
CORNER HINGES

CORNER HINGE

298



LH/RH



- Corner hinge. Suitable for steel panels with a thickness of between 1.5 mm and 2 mm
- Steel hinge pin
- With M6 threaded studs for internal fastening

APPLICATIONS

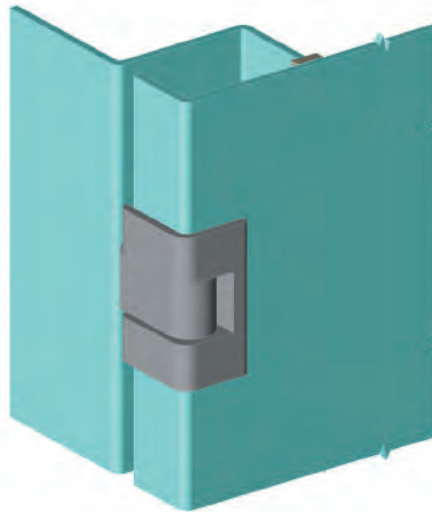
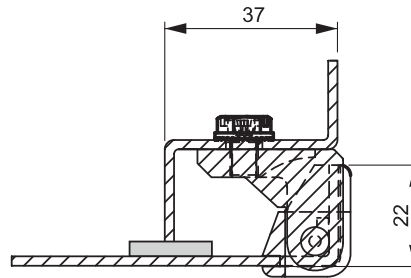
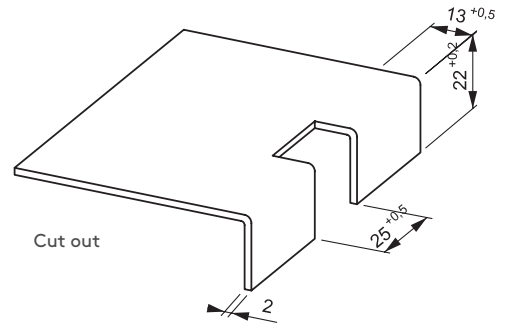
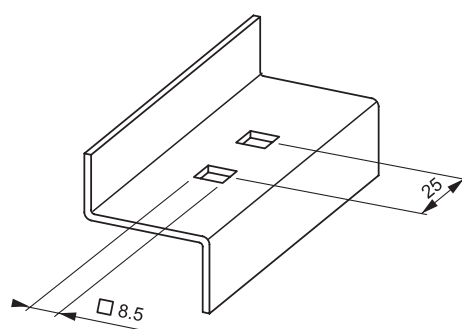
Large electric panels

MATERIAL

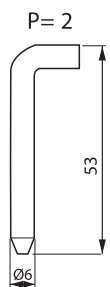
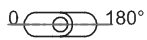
BODY: Zamak DIN-EN 1774-ZnAl4Cu1
PIN: Steel

FINISH

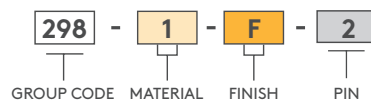
Chrome plated or black coated



Hinge Rotation Angle



PRODUCT CODE



MATERIAL		M	FINISH		F
Zamak		1	Chrome		1
			Black coated		2



098

CORNER HINGE



LH/RH



- Suitable for steel panels with a thickness of between 1.5 mm and 2 mm
- Steel hinge pin

APPLICATIONS

Large electric panels

MATERIAL

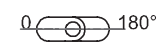
BODY: Zamak DIN-EN 1774-ZnAl4Cu1

PIN: Steel

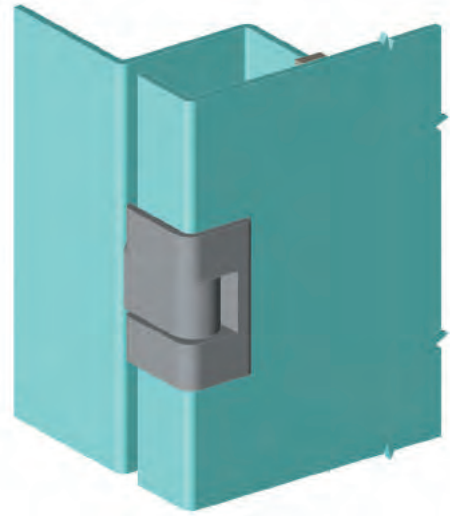
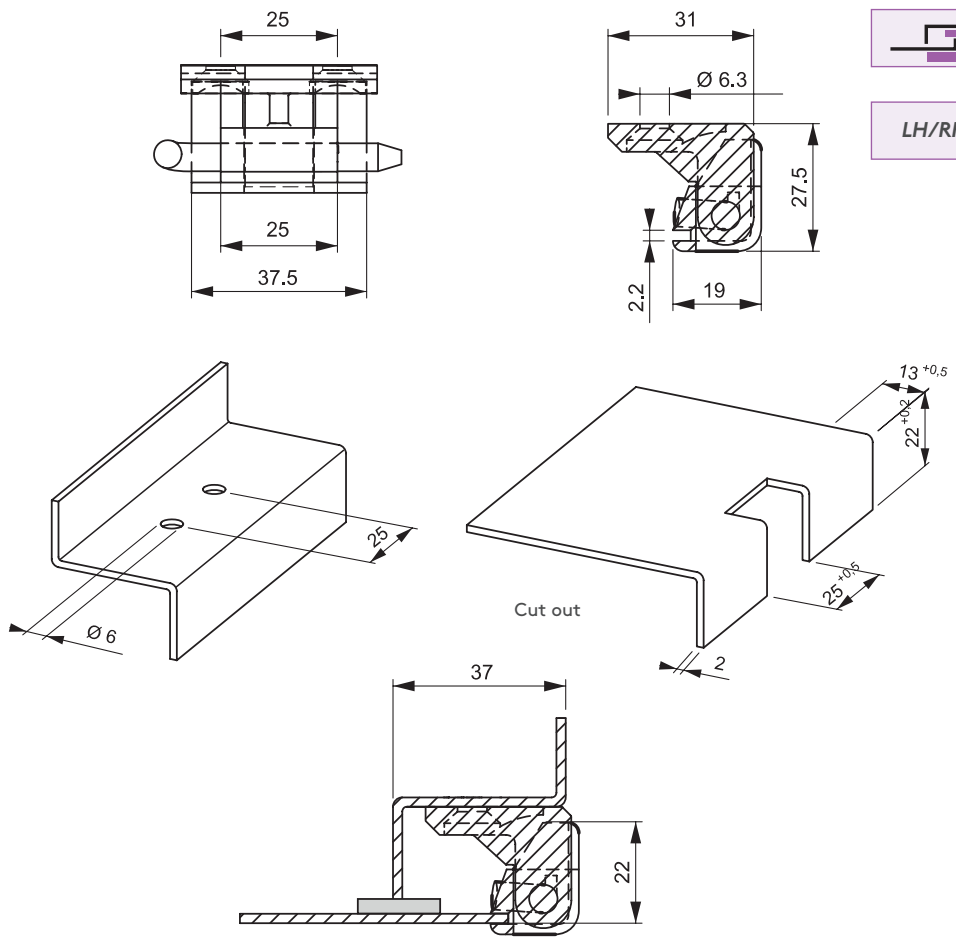
FINISH

Chrome plated or black coated

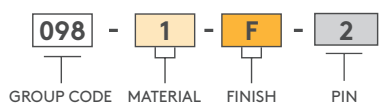
Hinge Rotation Angle



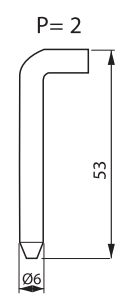
Note: Bolts are not supplied



PRODUCT CODE



MATERIAL	M	FINISH	F
Zamak	1	Chrome	1
		Black coated	2



CORNER HINGES

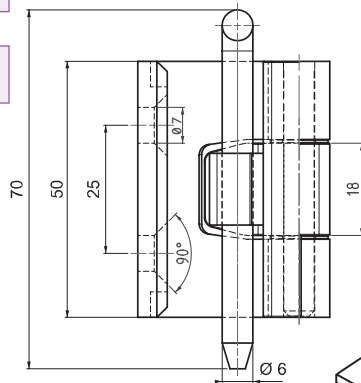
CORNER HINGE

398

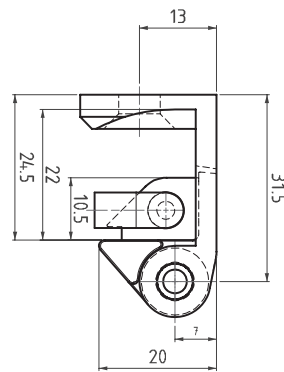
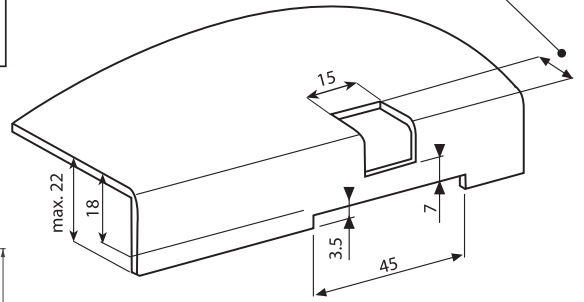


LH/RH

V : 2



Mounting dimensions
1.5 mm = 13 mm
2.0 mm = 15 mm



Cut out

- Left and right versions available
- Maximum opening angle 180°
- Special cut out is necessary for cabinet door
- Stainless steel spacers are used between the hinge parts
- Suitable for 25 mm door bend cabinets

APPLICATIONS

Large electric panels

MATERIAL

BODY: Zamak DIN-EN 1774-ZnAl4Cu1

PIN: Steel

FINISH

Chrome plated or black coated

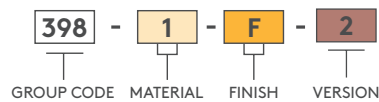


Hinge Rotation Angle



! Note: Bolts are not supplied

PRODUCT CODE



MATERIAL	M	FINISH	F
Zamak	1	Chrome	1
		Black coated	2



398

CORNER HINGE



LH/RH



- Left and right versions available
- Maximum opening angle 180°
- Special cut out necessary for cabinet door
- Stainless steel spacers used between hinge parts
- Suitable for 25 mm door bend cabinets

APPLICATIONS
Large electric panels

MATERIAL
BODY: Zamak DIN-EN 1774-ZnAl4Cu1
PIN : Steel

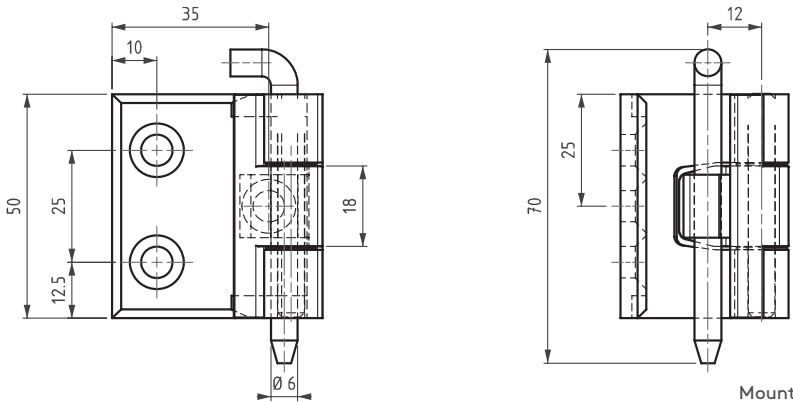
FINISH
Chrome plated or black coated

Hinge Rotation Angle

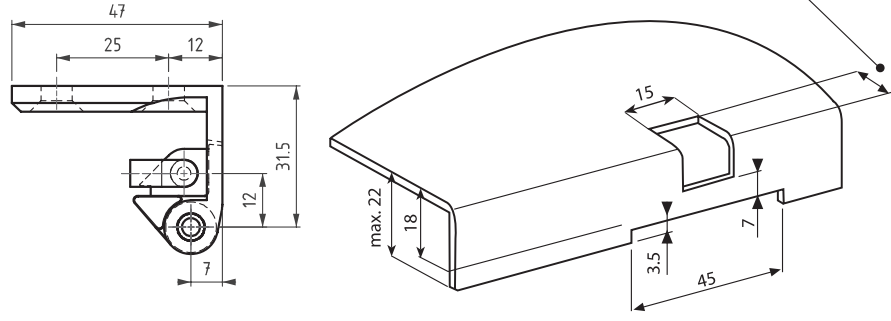


Note: Bolts are not supplied

V :1



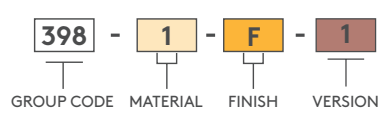
Mounting dimensions
1.5 mm = 13 mm
2.0 mm = 15 mm



Cut out



PRODUCT CODE



MATERIAL	M	FINISH	F
Zamak	1	Chrome	1
		Black coated	2

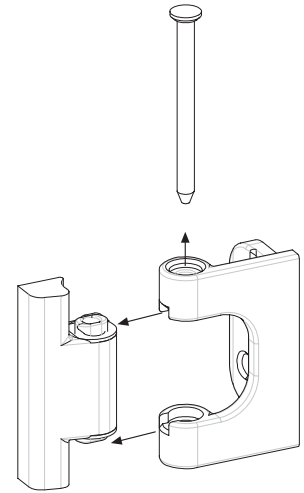
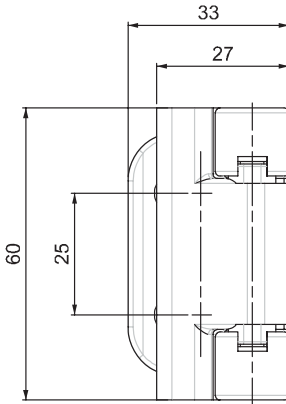
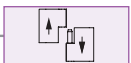
CORNER HINGES

CORNER HINGE

498



LH/RH



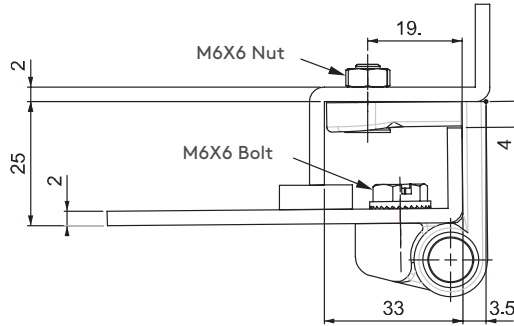
- Door can be removed when opened at 90° by withdrawing pin
- Suitable for 25 mm door bends

MATERIAL

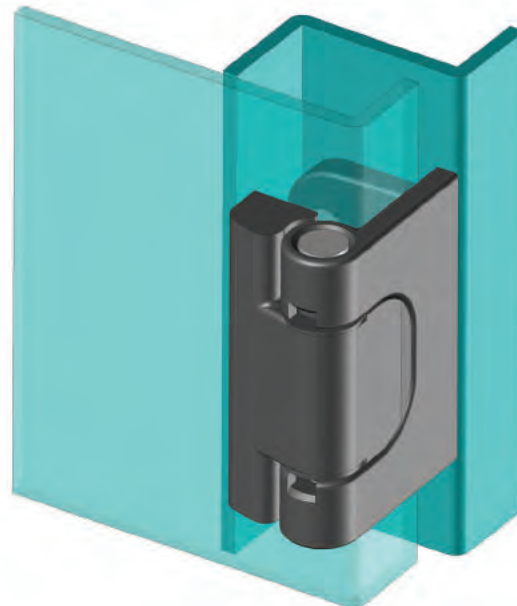
BODY: Zamak DIN-EN 1774-ZnAl4Cu1
 PIN: Plastic

FINISH

Chrome plated or black coated



Hinge Rotation Angle



⚠ Note: Bolts are not supplied

⚠ Note: The listing of this/these product(s) in the catalogue does not constitute an offer to sell any of those products in Germany

PRODUCT CODE

498 - 1 - F

GROUP CODE MATERIAL FINISH

MATERIAL		M	FINISH		F
Zamak		1	Chrome		1
			Black coated		2



400

CORNER HINGE



LH/RH



- For fitting to corner of doors with 16.5 mm bend
- M5 stud version available. Polyamide mounting supplied for fixing body.
- Budget-priced, polyamide version available

APPLICATIONS

Electric panels, machinery covers

MATERIAL

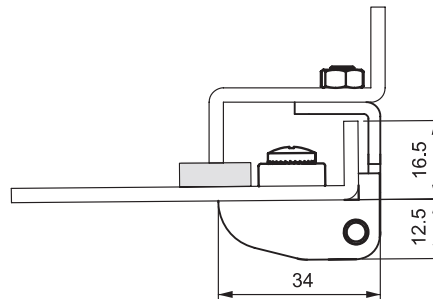
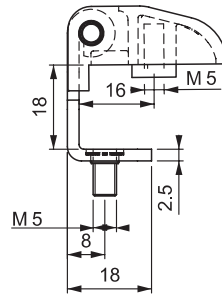
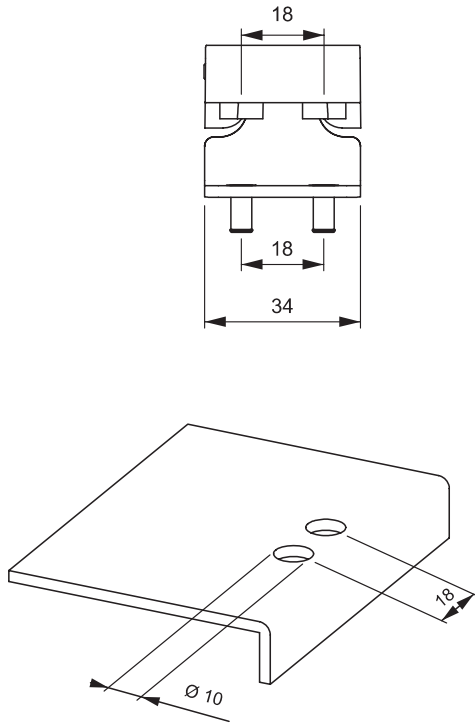
BODY : Zamak DIN-EN 1774-ZnAl4Cu1 or PA6 GFR 30

FIXED PART: Steel

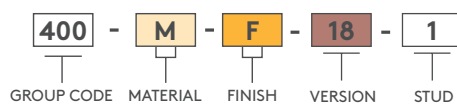
PIN: Steel

FINISH

Black coated



PRODUCT CODE



MATERIAL		M	FINISH		F
Zamak		1	Black coated		2
Plastic		2	No finish		0

Hinge Rotation Angle



CORNER HINGES

CORNER HINGE

200



LH/RH



Hole



Stud

- For fitting to corner of doors with 21 mm bend
- Stud version available, using M6 studs

APPLICATIONS

Electric panels, machinery covers

MATERIAL

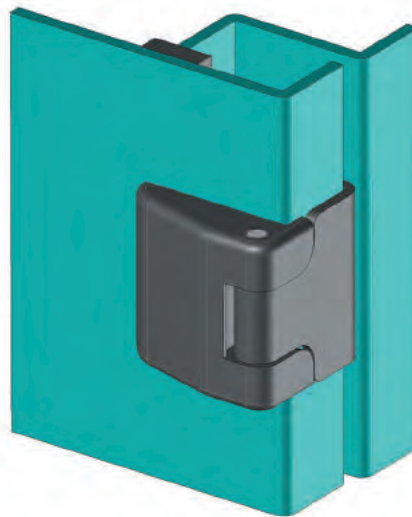
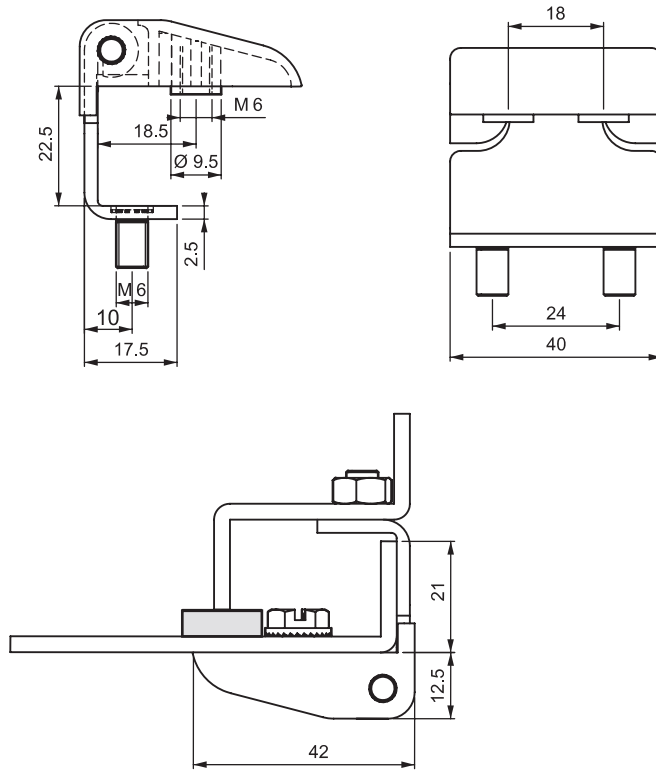
BODY: Zamak DIN-EN 1774-ZnAl4Cu1

FRAME PART: Steel

PIN: Steel

FINISH

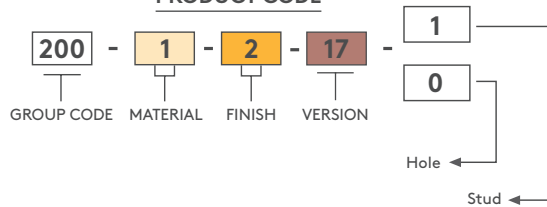
Black coated



Hinge Rotation Angle



PRODUCT CODE



MATERIAL	M	FINISH	F
Zamak	1	Black coated	2

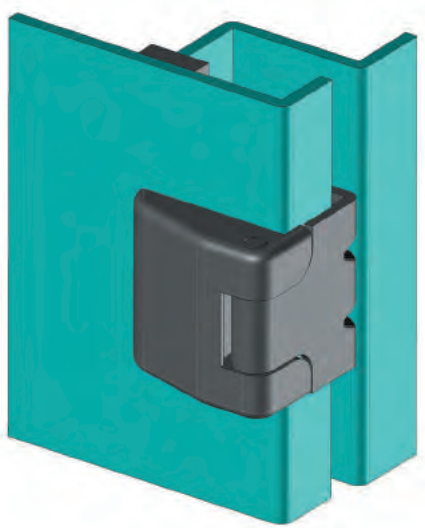
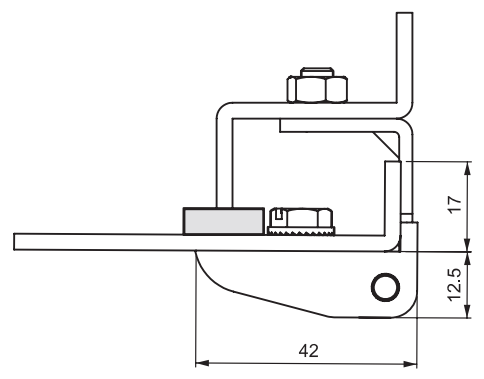
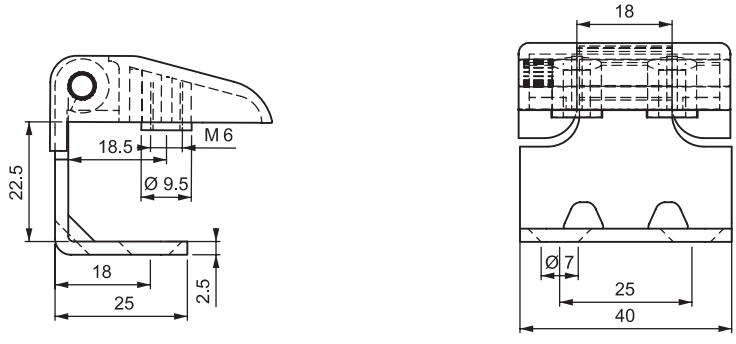


200

CORNER HINGE



LH/RH



APPLICATIONS

Electric panels, machinery covers

MATERIAL

BODY: Zamak DIN-EN 1774-ZnAl4Cu1

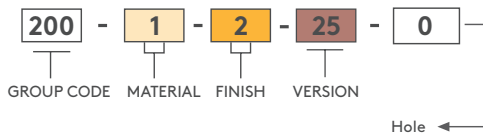
FRAME PART: Steel

PIN: Steel

FINISH

Black coated

PRODUCT CODE



Hinge Rotation Angle



Note: Bolts are not supplied

MATERIAL	M	FINISH	F
Zamak	1	Black coated	2

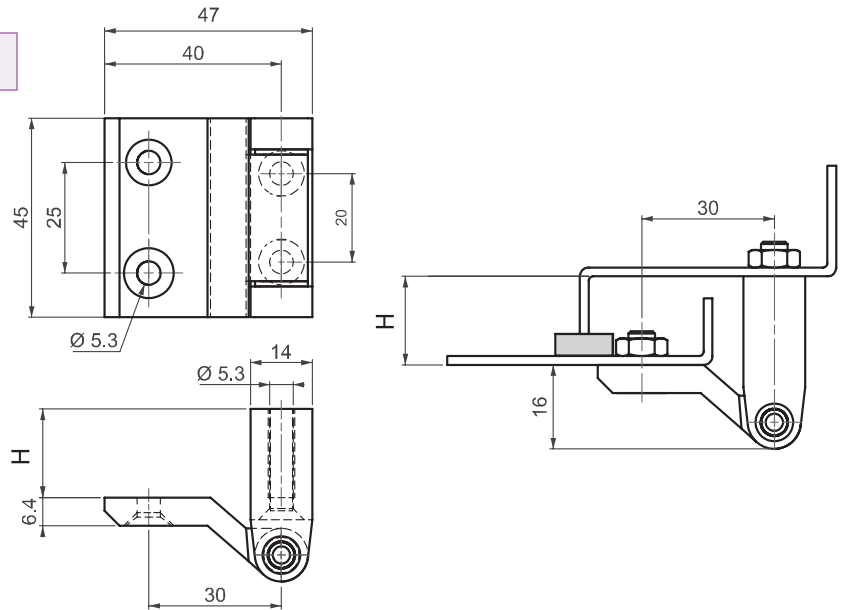
CORNER HINGES

CORNER HINGE

100



LH/RH



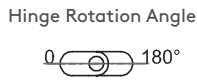
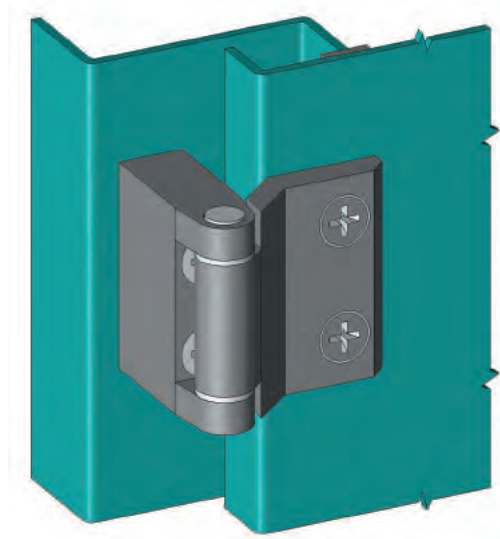
- Designed for plain/flush-mounted and side-mounted doors
- For side-mounted doors with a bend between 2 mm and 30 mm
- Hardened steel hinge pin

APPLICATIONS
Electric panels, machinery covers

MATERIAL
BODY: Zamak DIN-EN 1774-ZnAl4Cu1
PIN: Steel
BEARING: Delrin

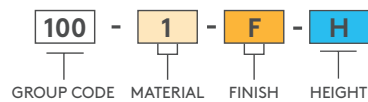
FINISH
Black coated

H
2
3
5
7
10
15
17
20
25
27
30



Note: Bolts are not supplied

PRODUCT CODE



MATERIAL	M	FINISH	F
Zamak	1	Chrome	1
		Black coated	2

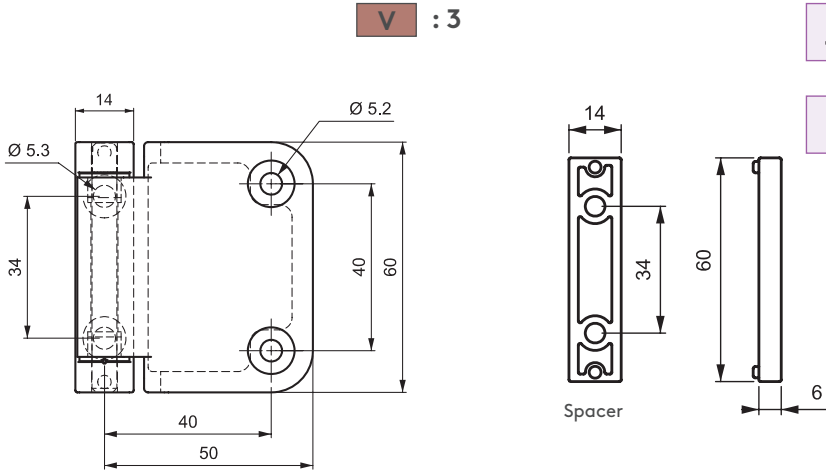


600

CORNER HINGE



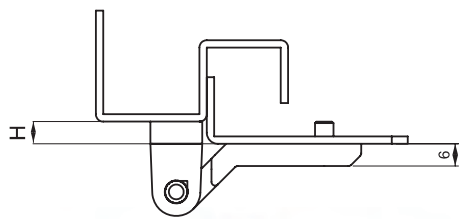
LH/RH



V : 3

Spacer

Spacer application 600 1-2-H-3



H
06
12
18



- Designed for plain, side-mounted doors
- For side-mounted doors with a bend of 0-15 mm
- Pin and plastic guides supplied separately

APPLICATIONS

Central air conditioning units, electric panels, machinery covers

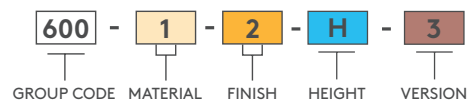
MATERIAL

BODY: Zamak DIN-EN 1774-ZnAl4Cu1
 PIN: Steel
 BEARING: Delrin

FINISH

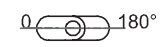
Black coated

PRODUCT CODE



MATERIAL	M	FINISH	F
Zamak	1	Black coated	2

Hinge Rotation Angle



Note: Bolts are not supplied

CORNER HINGES

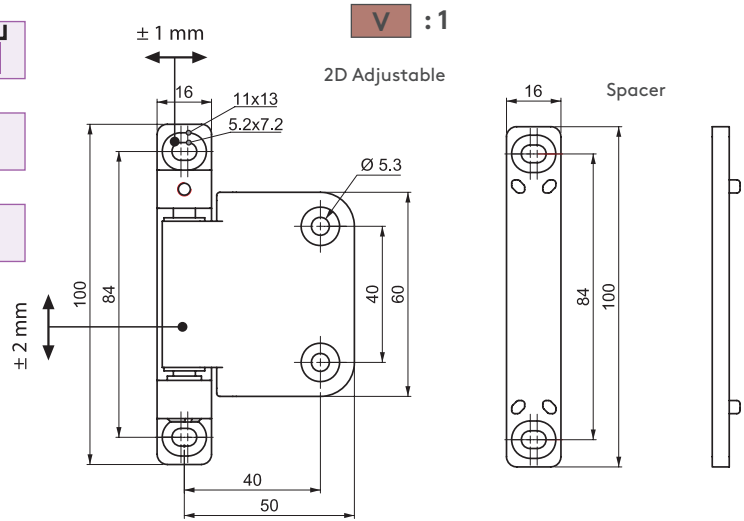
HVAC HINGE (2D)

600



LH/RH

2D



- Designed for plain, side-mounted doors
- For side-mounted doors with a bend of 0-15 mm
- Hinge supplied pre-assembled to decrease labour costs
- Two-dimensional door adjustments possible
- Axial adjustment is ± 2 mm. Radial adjustment is ± 1 mm

APPLICATIONS

Central air conditioning units, electric panels, machinery covers

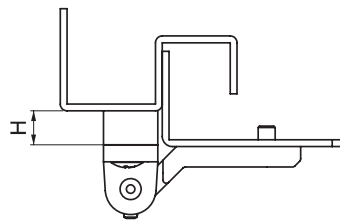
MATERIAL

BODY: Zamak DIN-EN 1774-ZnAl4Cu1
PIN: Steel
BEARING: Delrin

FINISH

Black coated

Spacer application
600 1-2-H-1



H
05
10
15

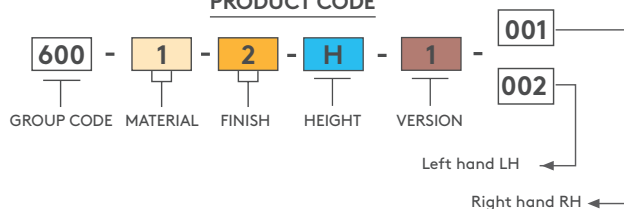


Hinge Rotation Angle



Note: Bolts are not supplied

PRODUCT CODE



MATERIAL	M	FINISH	F
Zamak	1	Black coated	2

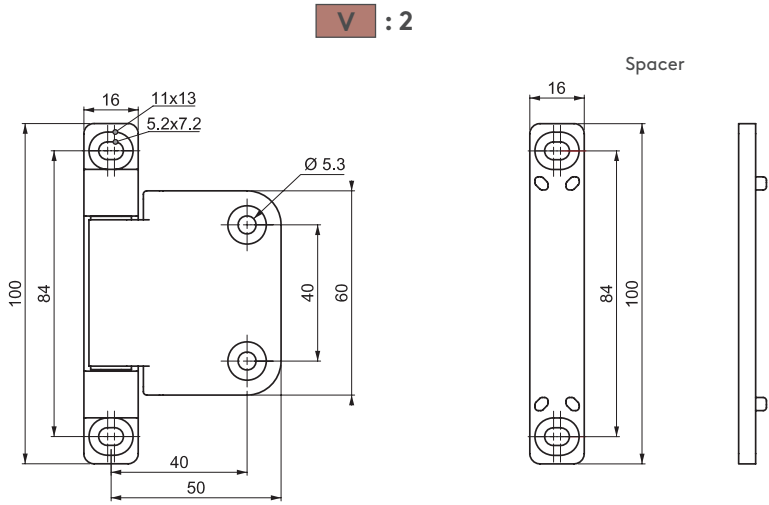


600

HVAC HINGE

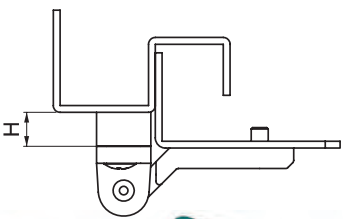


LH/RH

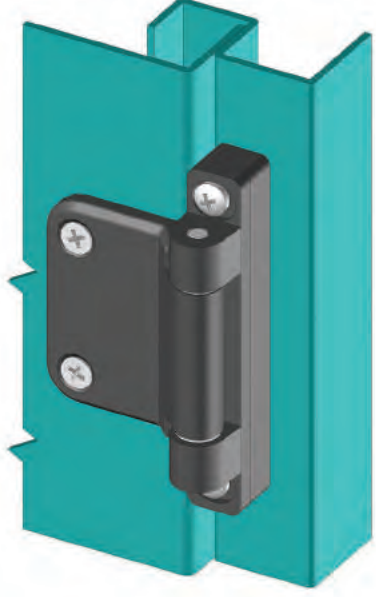


V : 2

Spacer application
600 1-2-H-2



H
05
10
15



- Designed for plain, side-mounted doors
- For side-mounted doors with a bend of 5-15 mm
- Hinge supplied pre-assembled to decrease labour costs

APPLICATIONS

Central air conditioning units, electric panels, machinery covers

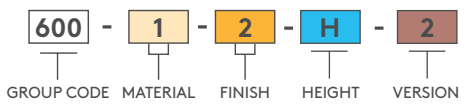
MATERIAL

BODY: Zamak DIN-EN 1774-ZnAl4Cu1
PIN: Steel
BEARING: Delrin

FINISH

Black coated

PRODUCT CODE



MATERIAL	M	FINISH	F
Zamak	1	Black coated	2

Hinge Rotation Angle



Note: Bolts are not supplied

CORNER HINGES

HVAC HINGE (2D)

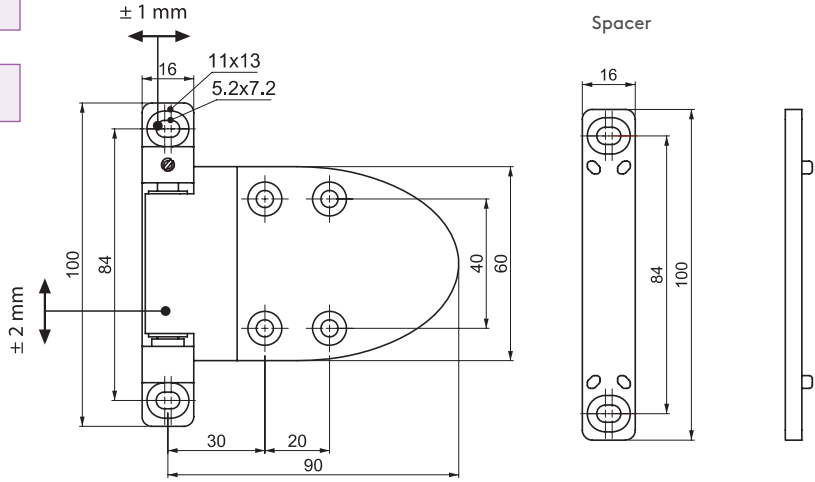
700



LH/RH

2D

V : 1



- Designed for plain, side-mounted doors
- For side-mounted doors with a bend of 2-12 mm
- Hinge supplied pre-assembled to decrease labour costs
- Two-dimensional door adjustments possible
- Axial adjustment is ± 2 mm. Radial adjustment is ± 1 mm

APPLICATIONS

Central air conditioning units, electric panels, machinery covers

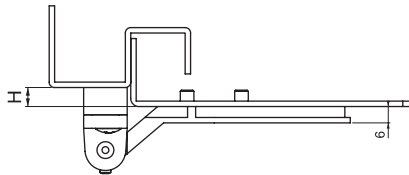
MATERIAL

BODY: Zamak DIN-EN 1774-ZnAl4Cu1
PIN: Steel
BEARING: Delrin

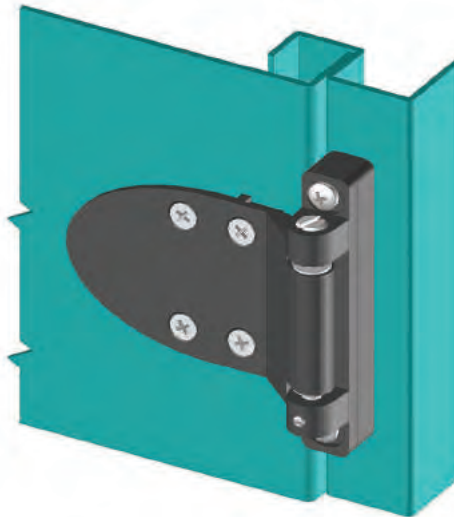
FINISH

Black coated

Spacer application
700 1-2-H-1



H
02
7
12

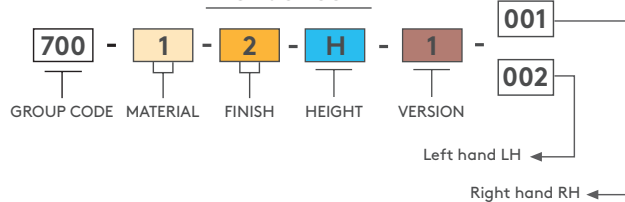


Hinge Rotation Angle



Note: Bolts are not supplied

PRODUCT CODE



MATERIAL	M	FINISH	F
Zamak	1	Black coated	2



700

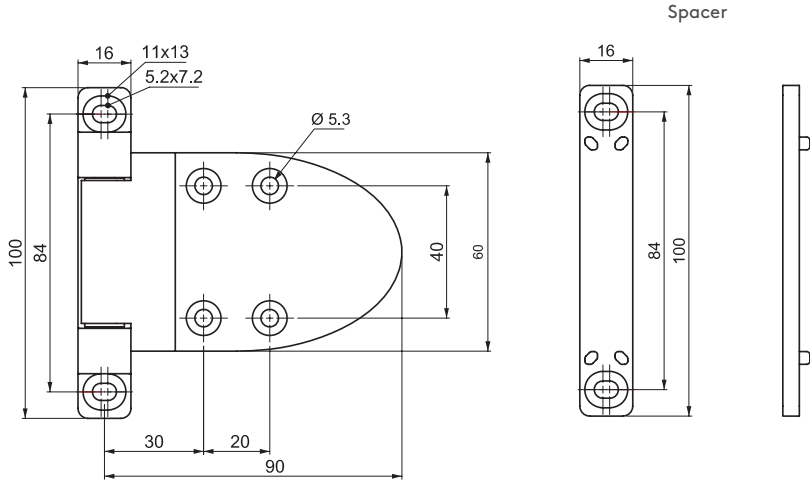
HVAC HINGE



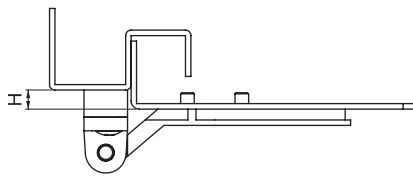
LH/RH



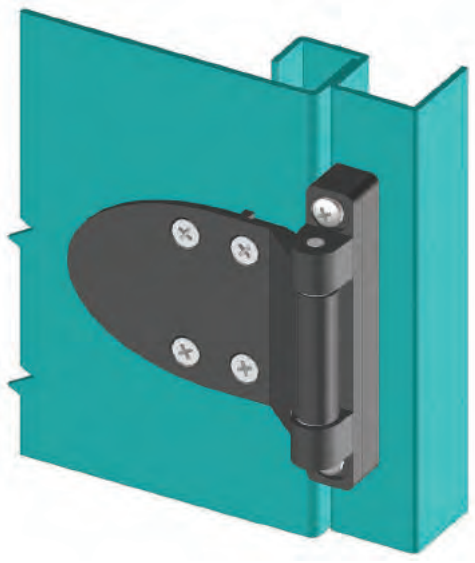
V : 2



Spacer application
700 1-2-H-2



H
02
7
12



- Designed for plain, side-mounted doors
- For side mounted doors with a bend of 2-12 mm
- Hinge supplied pre-assembled to decrease customer labour costs

APPLICATIONS

Central air conditioning units, electric panels, machinery covers

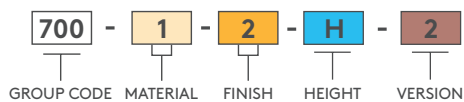
MATERIAL

BODY: Zamak DIN-EN 1774-ZnAl4Cu1
PIN: Steel
BEARING: Delrin

FINISH

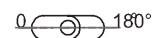
Black coated

PRODUCT CODE

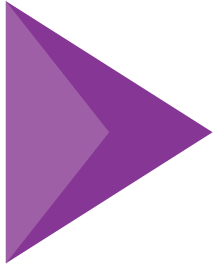


MATERIAL	M	FINISH	F
Zamak	1	Black coated	2

Hinge Rotation Angle



Note: Bolts are not supplied



HINGES



FLAT HINGES

GROUP CODE	PRODUCT NAME
1299	MINI LEAF HINGE
299	LEAF HINGE
199	LEAF HINGE
099	LEAF HINGE
399	LEAF HINGE
1399	LEAF HINGE
1699	LEAF HINGE
1499	LEAF HINGE
900	LEAF HINGE
899	LEAF HINGE
499	LEAF HINGE
599	LEAF HINGE
1599	LEAF HINGE
799	LEAF HINGE
2899	LEAF HINGE
1199	LEAF HINGE
2599	INDEX HINGE
2199	TORQUE HINGE
2099	TORQUE HINGE
2399	ADJUSTABLE TORQUE HINGE
2499	ADJUSTABLE TORQUE HINGE
699	LIFT-OFF HINGE
100	HINGE WITH BEARING
600	HINGE WITH BEARING
700	HVAC HINGE
800	HVAC HINGE
500	HVAC HINGE
300	HVAC HINGE
693	HINGE WITH BEARING
340	TRUCK CARRIER HINGE



ESSENTRA

PAGE

323

324

325

326 - 327

328 - 329

330 - 331

332

333

334

335

336

337

338 - 339

340

341

342

343

344

345

346

347

348 - 349

350

351 - 353

354 - 355

356

357

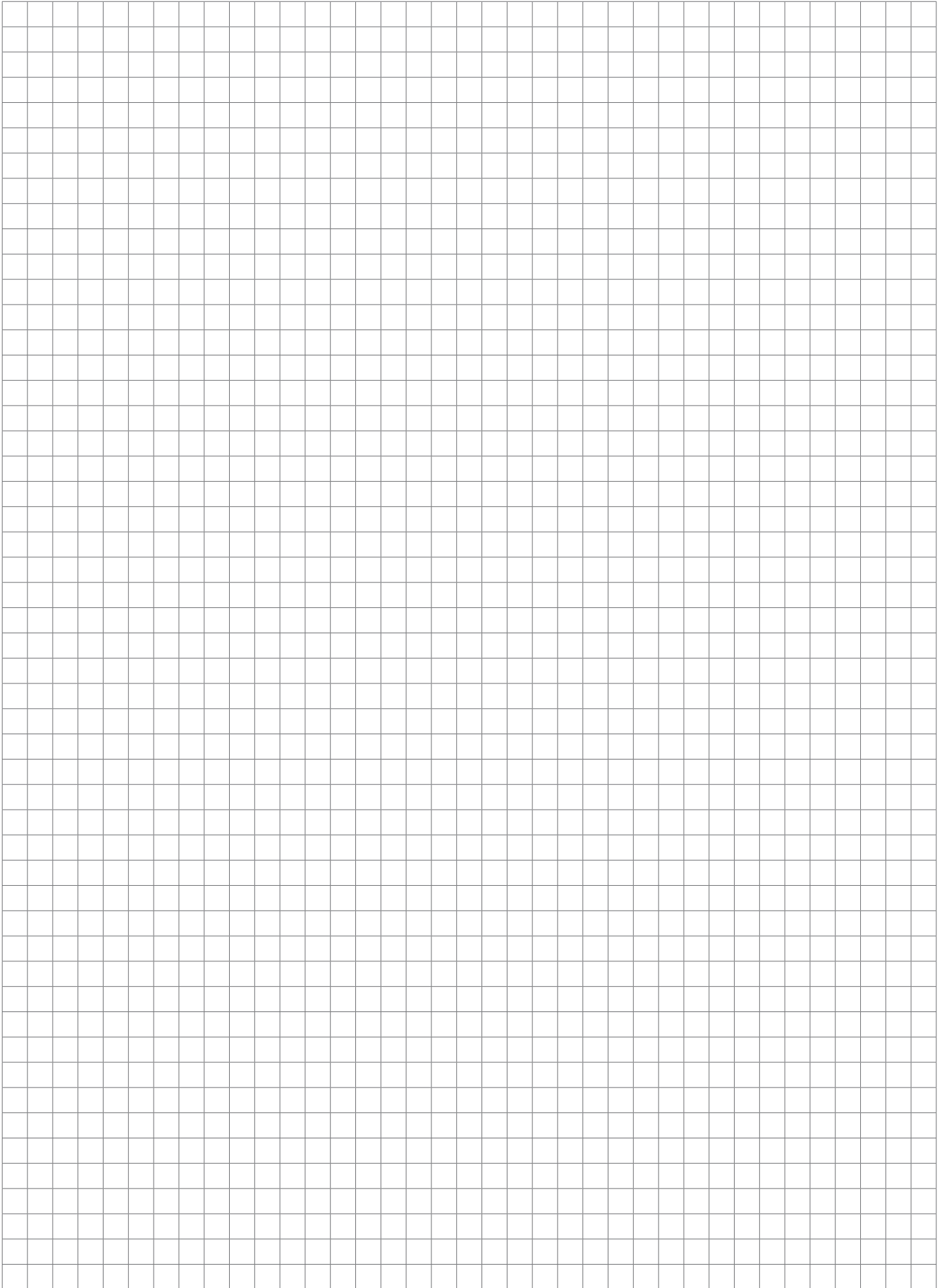
358

359

360



▶ FLAT HINGES



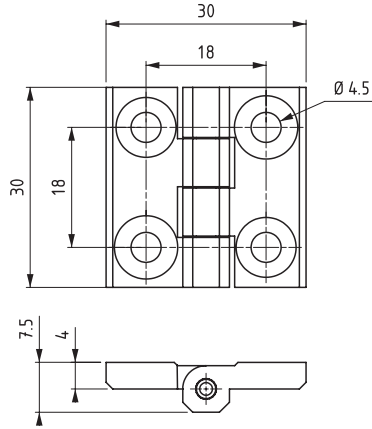


1299

MINI LEAF HINGE



LH/RH



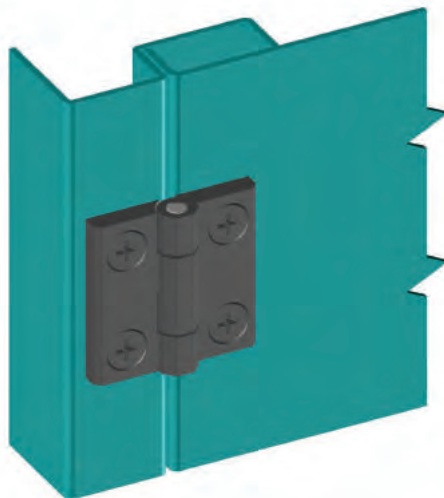
- Generally used for plain/small flush mounted doors.
- Opening angle is 270°

APPLICATIONS

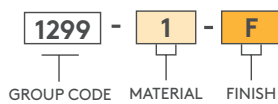
Electric panels, built-in covers.

MATERIAL

BODY: Zamak DIN-EN 1774-ZnAl4Cu1
PIN: Stainless Steel



PRODUCT CODE



MATERIAL		FINISH	
	M		F
Zamak	1	Chrome	1
		Black coated	2

Hinge Rotation Angle



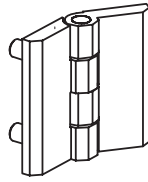
FLAT HINGES

LEAF HINGE

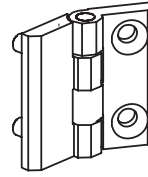
299



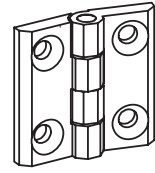
LH/RH



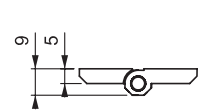
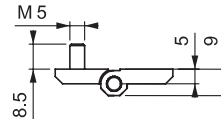
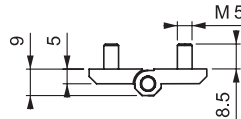
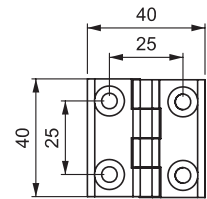
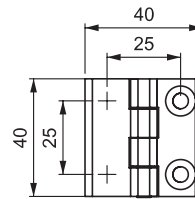
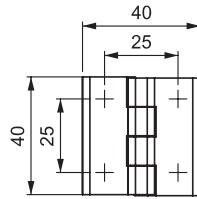
V : 1



V : 2



V : 3



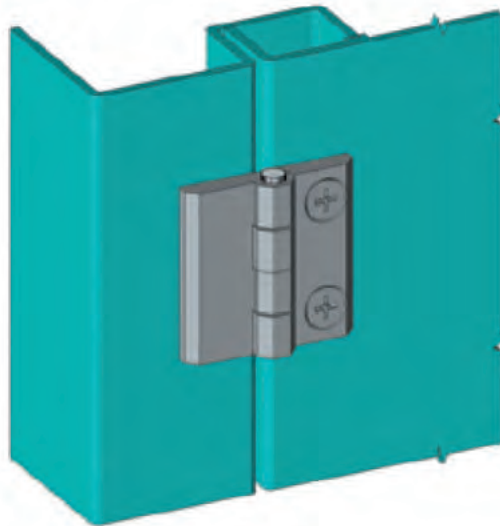
- Stainless steel version: page 464
- Generally used for plain/flush mounted doors
- Stud versions fitted with M5 x 8.5 mm threaded stud
- Stainless steel (AISI 304) hinge pin.
- Maximum hinge rotation 270°

APPLICATIONS

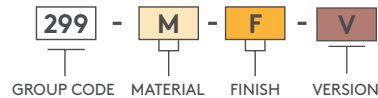
Electric panels, built-in covers

MATERIAL

BODY: Zamak DIN-EN 1774-ZnAl4Cu1
PIN: Stainless Steel



PRODUCT CODE



Hinge Rotation Angle



MATERIAL	M	FINISH	F
Zamak	1	Chrome	1
		Black coated	2
Plastic	2	No finish	0

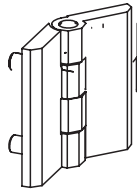


199

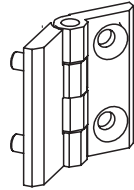
LEAF HINGE



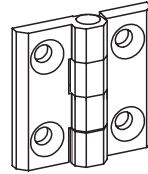
LH/RH



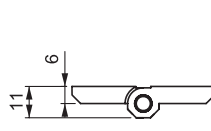
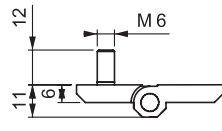
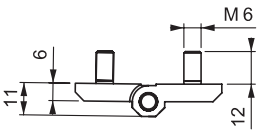
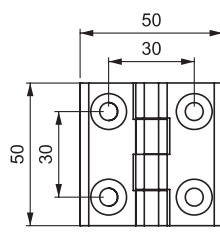
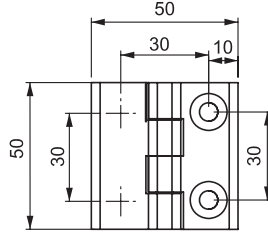
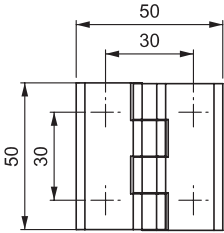
V : 1



V : 2



V : 3



- Generally used for plain/flush-mounted doors
- Stud versions fitted with M6 x 12 mm threaded stud
- Stainless steel (AISI 304) hinge pin.
- Maximum hinge rotation 270°

APPLICATIONS

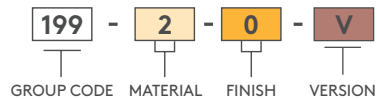
Electric panels, built-in covers

MATERIAL

BODY: Polyamide DIN-EN ISO 1043-1 PA 6 GFR 30
PIN: Stainless Steel



PRODUCT CODE



MATERIAL	M	FINISH	F
Plastic	2	No finish	0

Hinge Rotation Angle



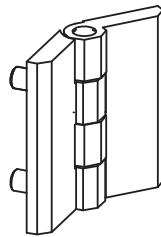
FLAT HINGES

LEAF HINGE

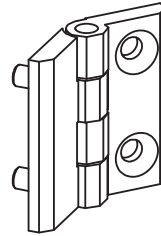
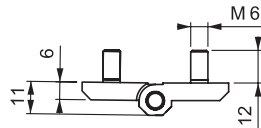
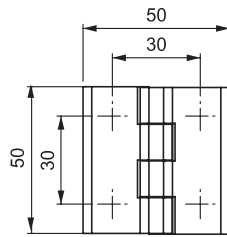
099



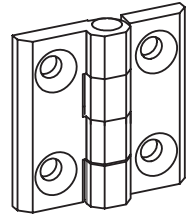
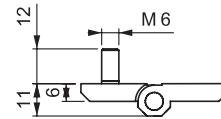
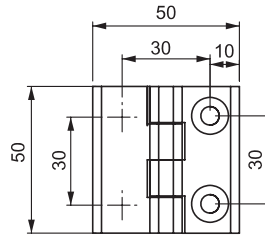
LH/RH



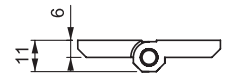
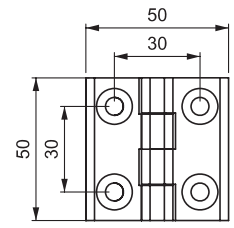
V : 1



V : 2



V : 4



- **Stainless steel version page 464**
- Generally used for plain/flush-mounted doors
- Stud versions fitted with M6 x 12 mm threaded stud
- Stainless steel (AISI 304) hinge pin.
- Maximum hinge rotation 270°
- Available in three sizes, hole or stud fixing:
 - 50 mm x 50 mm
 - 50 mm x 63 mm
 - 50 mm x 76 mm

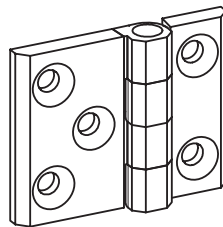
APPLICATIONS

Electric panels, built-in covers

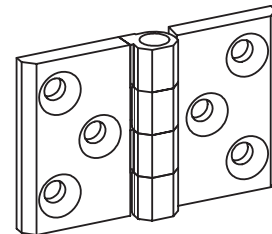
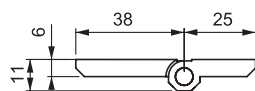
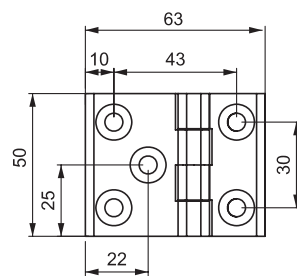
MATERIAL

BODY: Zamak DIN-EN 1774-ZnAl4Cu1

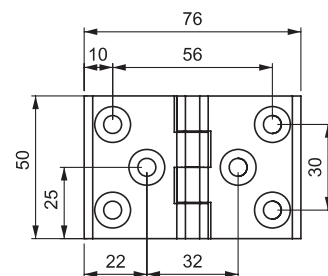
PIN: Stainless Steel



V : 5



V : 6



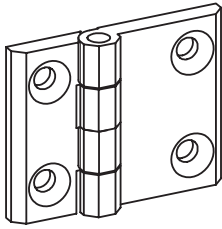
Hinge Rotation Angle



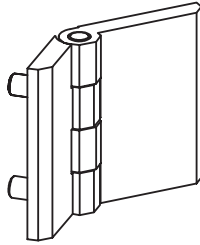


099

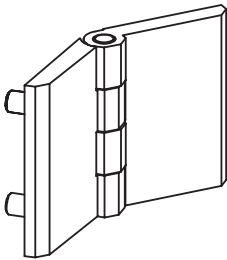
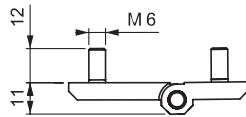
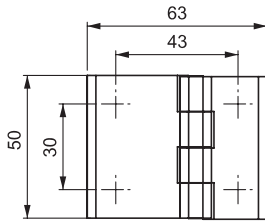
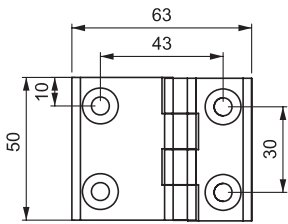
LEAF HINGE



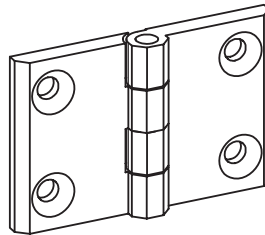
V : 7



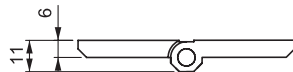
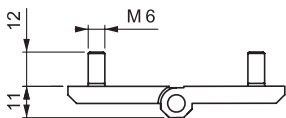
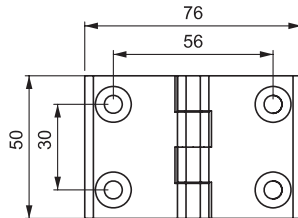
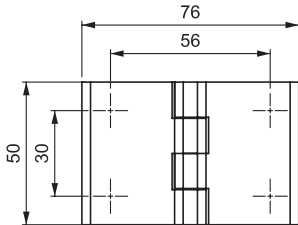
V : 8



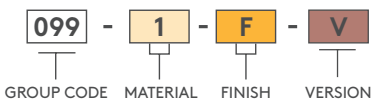
V : 9



V : 10



PRODUCT CODE



MATERIAL	M	FINISH	F
Zamak	1	Chrome	1
		Black coated	2

APPLICATIONS
 Electric panels, built-in covers

MATERIAL
 BODY: Zamak DIN-EN 1774-ZnAl4Cu1
 PIN: Stainless Steel

Hinge Rotation Angle



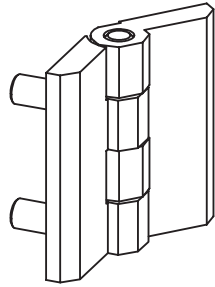
FLAT HINGES

LEAF HINGE

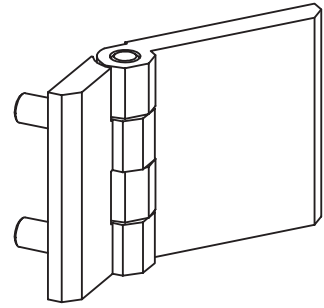
399



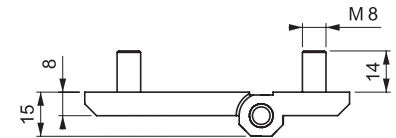
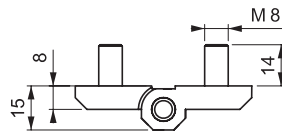
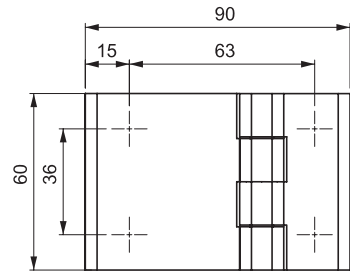
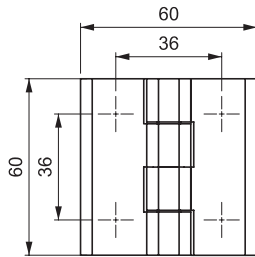
LH/RH



V :1



V :2



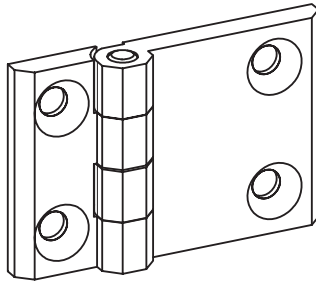
- Generally used for plain/flush-mounted, isolated heavy doors
- Stud versions fitted with M8 x 14 mm threaded stud
- Stainless steel (AISI 304) hinge pin
- Available in three sizes, hole or stud fixing:
 - 60 mm x 60 mm
 - 60 mm x 90 mm
 - 60 mm x 120 mm

APPLICATIONS

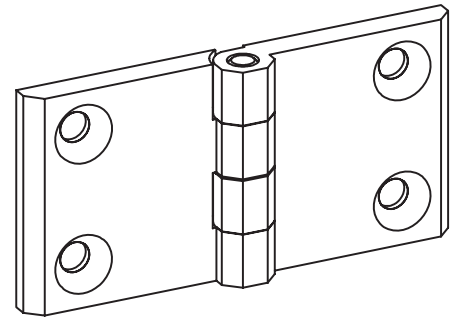
Generators, machinery covers, electric panels

MATERIAL

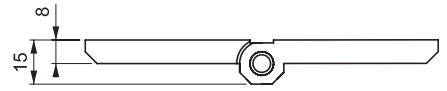
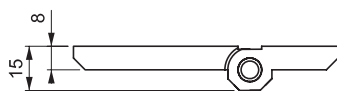
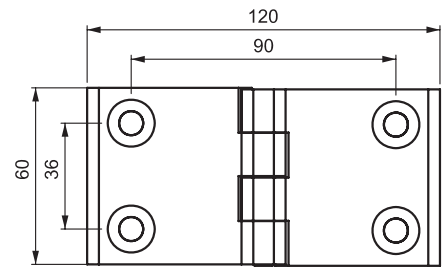
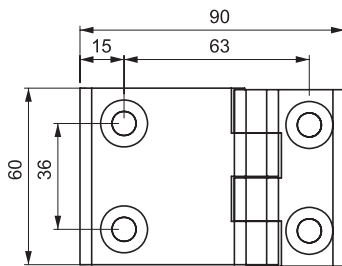
BODY: Zamak DIN-EN 1774-ZnAl4Cu1
PIN: Stainless Steel



V :5



V :6



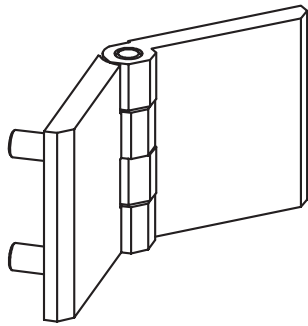
Hinge Rotation Angle



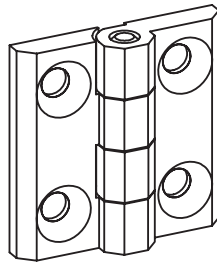


399

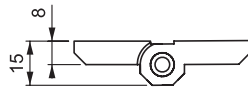
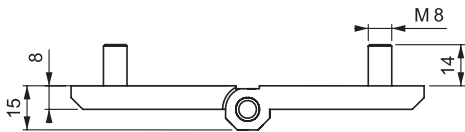
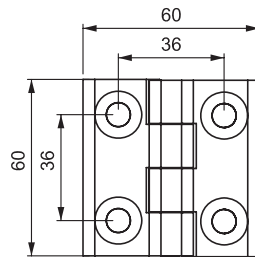
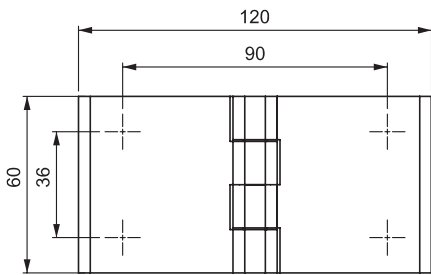
LEAF HINGE



V : 3



V : 4



• Stainless Steel version page 465

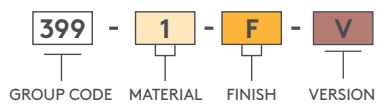
APPLICATIONS

Generators, machinery covers, electric panels

MATERIAL

BODY: Zamak DIN-EN 1774-ZnAl4Cu1
PIN: Stainless Steel

PRODUCT CODE



MATERIAL	M	FINISH	F
Zamak	1	Chrome	1
		Black coated	2

Hinge Rotation Angle



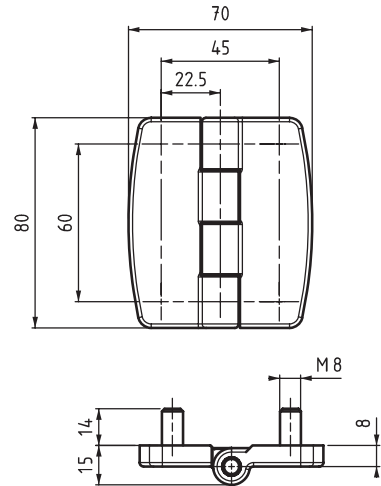
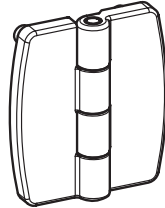
FLAT HINGES

LEAF HINGE

1399



LH/RH



V :1

- Generally used for plain/flush-mounted, isolated, heavy doors
- Stud versions fitted with M8 x 14 mm threaded stud
- Stainless steel (AISI 304) hinge pin.
- Available in three sizes, stud fixing:
 - 80 mm x 70 mm
 - 80 mm x 110 mm
 - 80 mm x 150 mm

APPLICATIONS

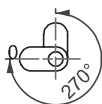
Generators, machinery covers, electric panels

MATERIAL

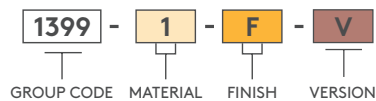
BODY: Zamak DIN-EN 1774-ZnAl4Cu1
PIN: Stainless Steel



Hinge Rotation Angle



PRODUCT CODE



MATERIAL		FINISH	
	M		F
Zamak	1	Chrome	1
		Black coated	2

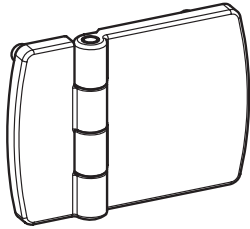


1399

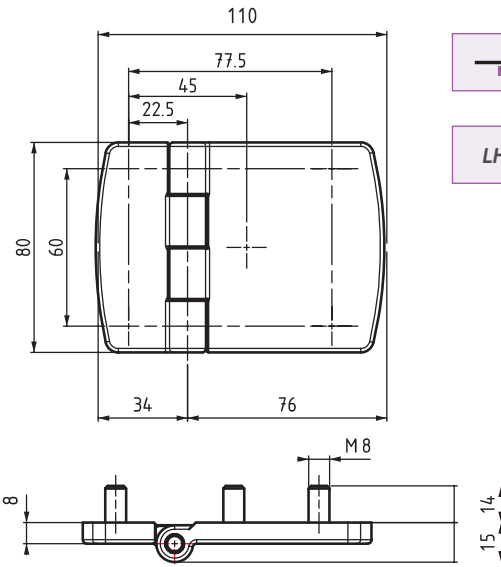
LEAF HINGE



LH/RH



V : 2



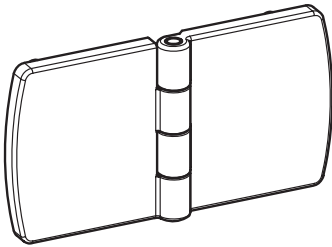
- Generally used for plain/flush-mounted, isolated, heavy doors
- Stud versions fitted with M8 x 14 mm threaded stud
- Stainless steel (AISI 304) hinge pin
- Available in three sizes, stud fixing:
 - 80 mm x 70 mm
 - 80 mm x 110 mm
 - 80 mm x 150 mm

APPLICATIONS

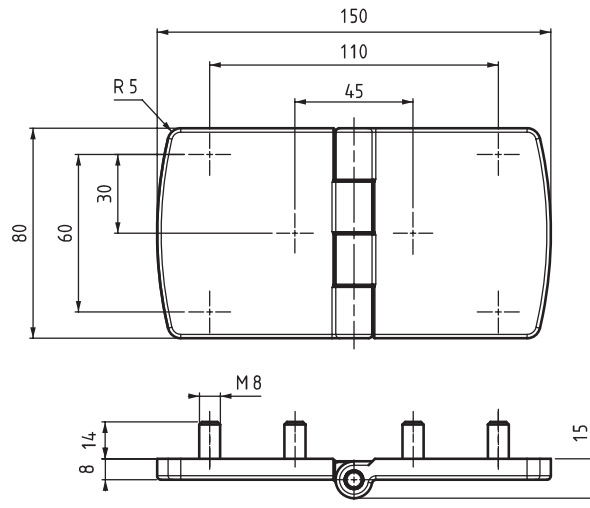
Generators, machinery covers, electric panels

MATERIAL

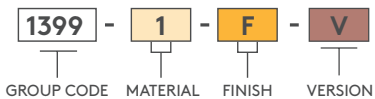
BODY: Zamak DIN-EN 1774-ZnAl4Cu1
PIN: Stainless Steel



V : 3

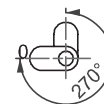


PRODUCT CODE



MATERIAL	M	FINISH	F
Zamak	1	Chrome	1
		Black coated	2

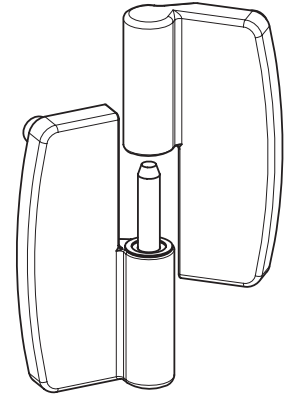
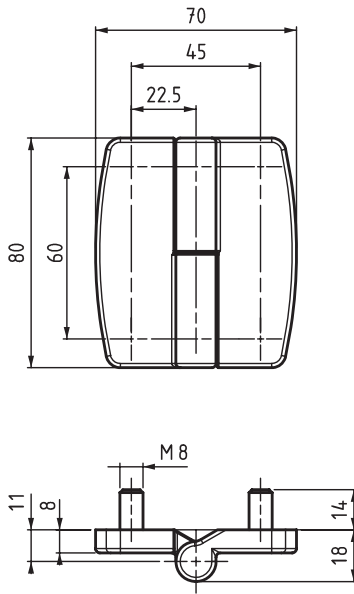
Hinge Rotation Angle



FLAT HINGES

LEAF HINGE

1699



- Concealed mounting-screws prevent external access to hinge
- Designed for plain/flush-mounted doors
- Suitable for left- and right-hand applications

APPLICATIONS

Generators, machinery covers, electric panels

MATERIAL

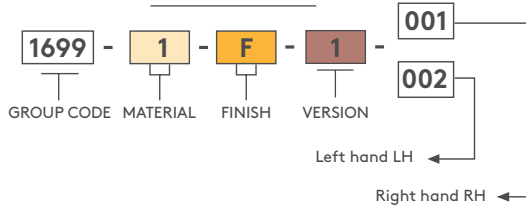
BODY: Zamak DIN-EN 1774-ZnAl4Cu1
PIN: Stainless Steel



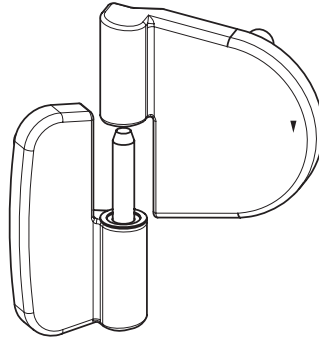
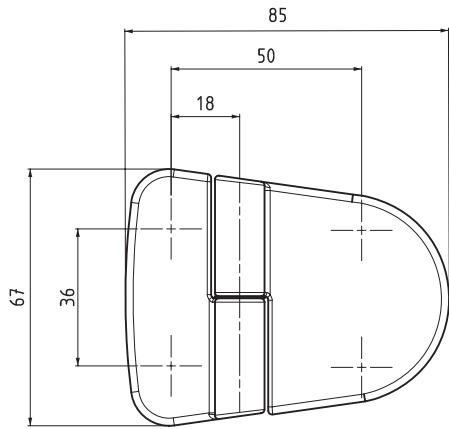
Hinge Rotation Angle



PRODUCT CODE



MATERIAL		FINISH	
	M		F
Zamak	1	Chrome	1
		Black coated	2



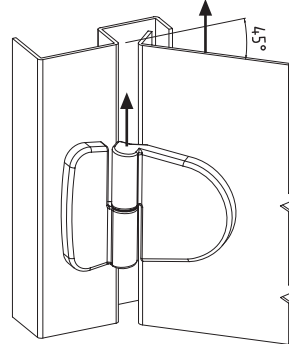
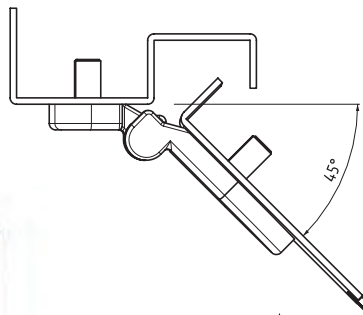
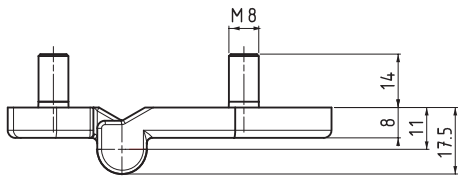
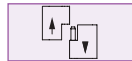
1499

LIFT-OFF HINGE



RH

LH



- Concealed mounting screws prevent external access to hinge
- Design for plain/flush-mounted doors
- Suitable for left- and right-hand applications

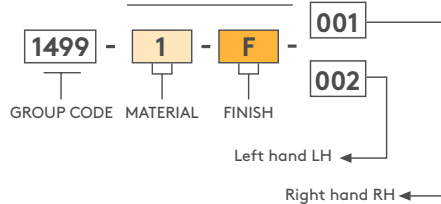
APPLICATIONS

Generators, machinery covers, electric panels

MATERIAL

BODY: Zamak DIN-EN 1774-ZnAl4Cu1
PIN: Stainless Steel

PRODUCT CODE



MATERIAL	M	FINISH	F
Zamak	1	Chrome	1
		Black coated	2

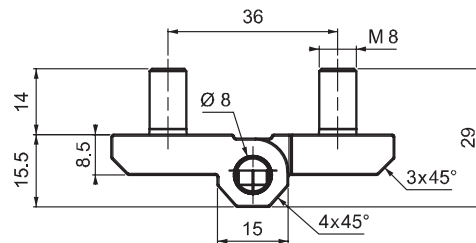
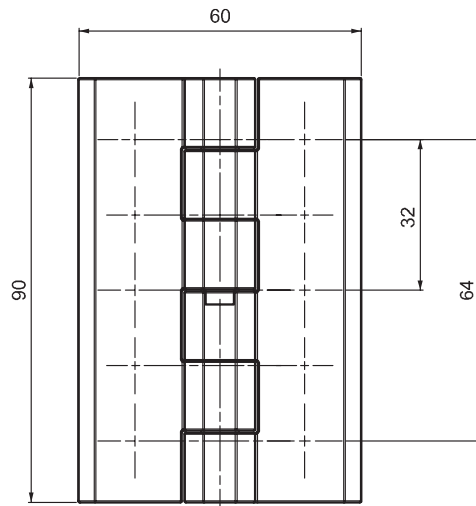
FLAT HINGES

LEAF HINGE

900



LH/RH



- Generally used for plain/flush-mounted doors and insulated panels
- Provides strong fixing by 6 pcs. M8 bolts
- Opening angle 270°

APPLICATIONS

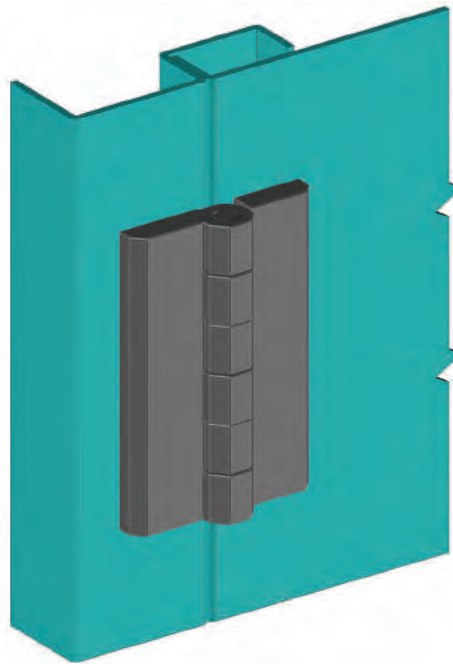
Generators, machinery covers, electric panels

MATERIAL

BODY: Zamak DIN-EN 1774-ZnAl4Cu1
PIN: Stainless Steel
SCREW: Steel

FINISH

Chrome plated or black coated



PRODUCT CODE

900 - M - F
GROUP CODE MATERIAL FINISH

MATERIAL		M	FINISH		F
Zamak		1	Chrome		1
			Black coated		2



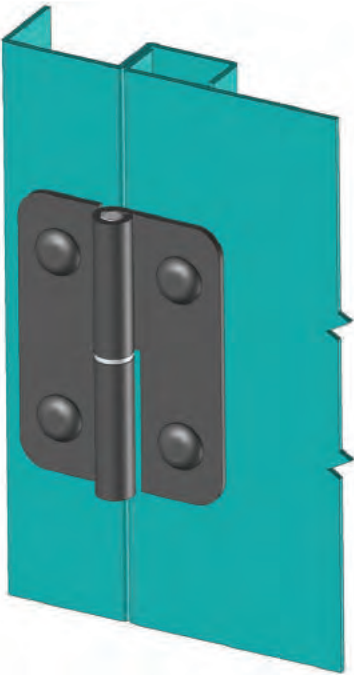
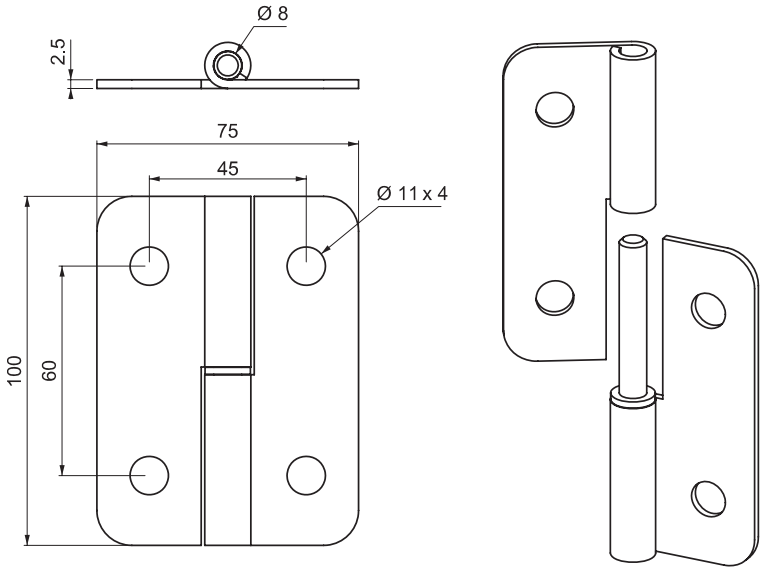
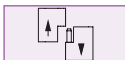
899

LEAF HINGE



RH

LH



- Stainless steel version: page 472
- Heavy-duty lift off hinge
- Suitable for left- and right-hand applications
- Opening angle 180°

APPLICATIONS

Generators, machinery covers, electric panels

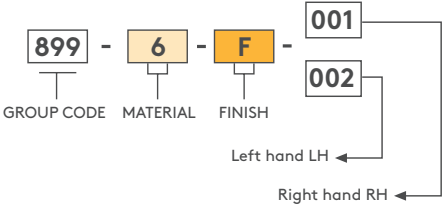
MATERIAL

BODY: Steel
PIN: Steel

FINISH

Zinc plated or black coated

PRODUCT CODE



MATERIAL	M	FINISH	F
Steel	6	Zinc plated	3
		Black coated	2

Hinge Rotation Angle



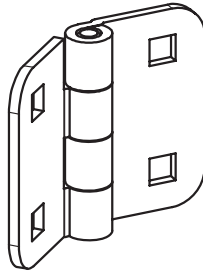
FLAT HINGES

LEAF HINGE

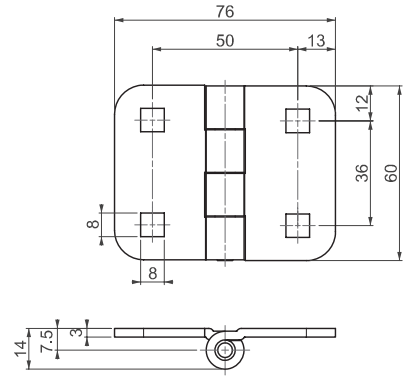
499



LH/RH



V : 1



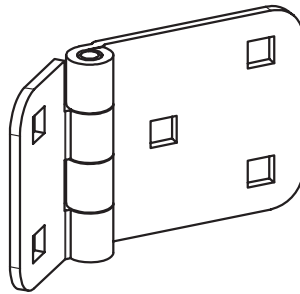
- Generally used for plain/flush-mounted, isolated, heavy doors
- Steel construction provides very high resistance
- M8 x 12 mm coach bolts supplied.

APPLICATIONS

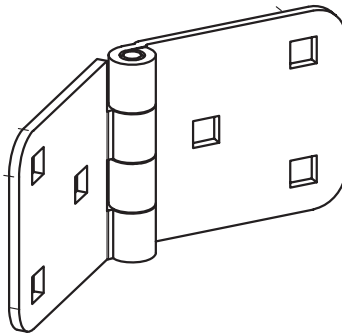
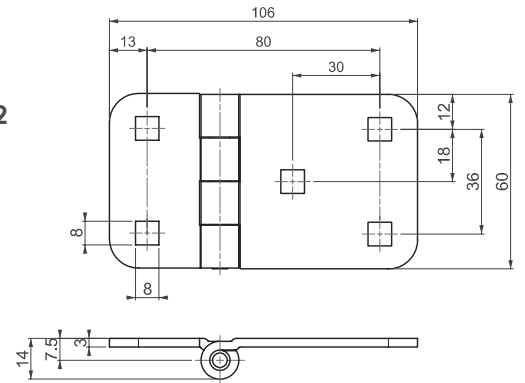
Generators, machinery covers, electric panels

MATERIAL

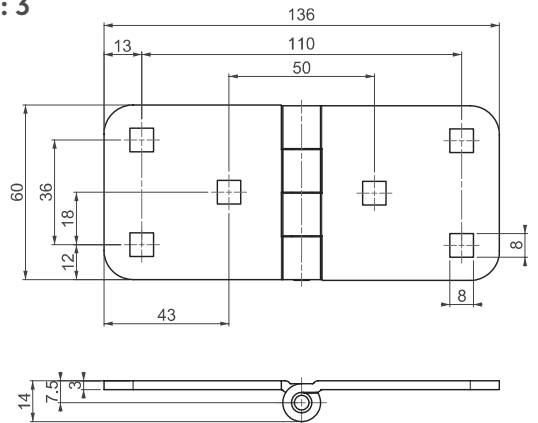
BODY: Steel
PIN: Stainless Steel



V : 2



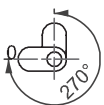
V : 3



PRODUCT CODE

499 - 6 - F - V
GROUP CODE MATERIAL FINISH VERSION

Hinge Rotation Angle



MATERIAL	M	FINISH	F
Steel	6	Zinc plated	3
		Black coated	2

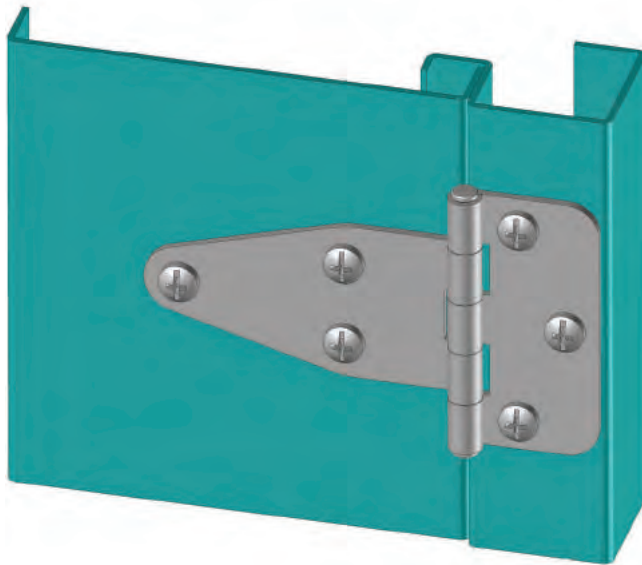
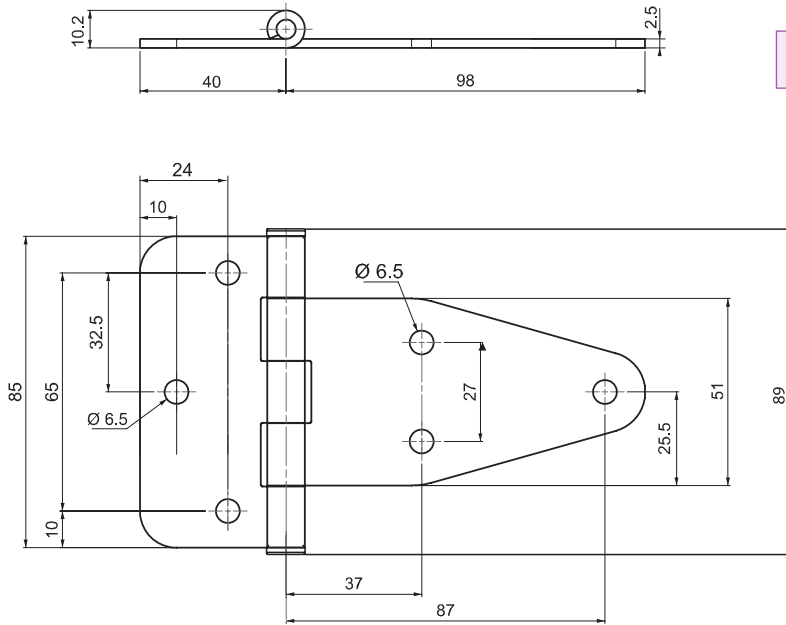


599

LEAF HINGE



LH/RH



- Stainless steel version: page 468
- Generally used for plain/flush-mounted, isolated heavy doors
- Both parts attached by screws or nuts and bolts
- Hinge-rotation angle 180°

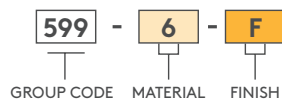
APPLICATIONS

Generators, machinery covers, electric panels

MATERIAL

BODY: Steel
PIN: Stainless Steel

PRODUCT CODE



MATERIAL	M	FINISH	F
Steel	6	Zinc plated	3
		Black coated	2

Hinge Rotation Angle



Note: Bolts are not supplied

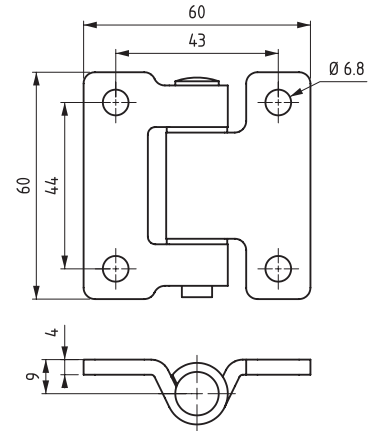
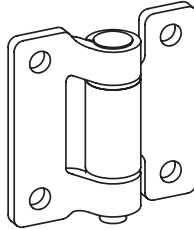
FLAT HINGES

LEAF HINGE

1599



V :1



LH/RH

- **Stainless steel version: page 470**
- Generally, used for plain/flush mounted, isolated, heavy doors.
- Both parts are attached by screws or nuts and bolts
- Hinge Rotation angle is 180°

APPLICATIONS

Generators, machinery covers, electric panels

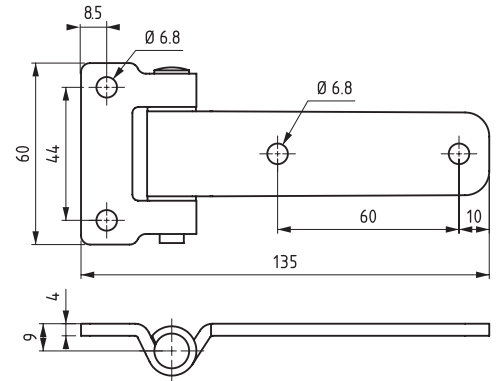
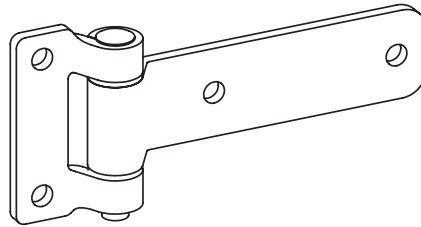
MATERIAL

BODY: Steel
PIN: Stainless steel

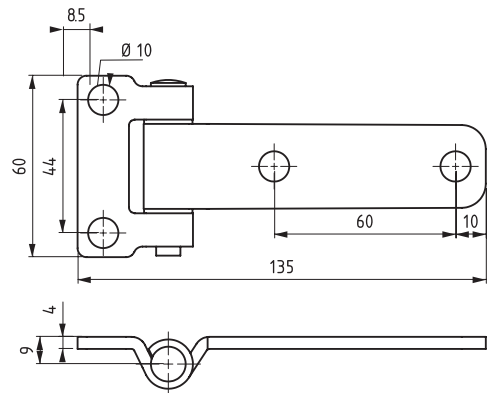
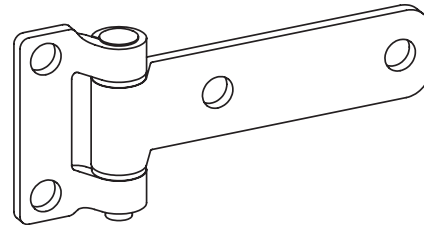
FINISH

Zinc plated or black coated

V :2



V :3

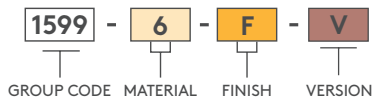


Hinge Rotation Angle



Note: Bolts are not supplied

PRODUCT CODE

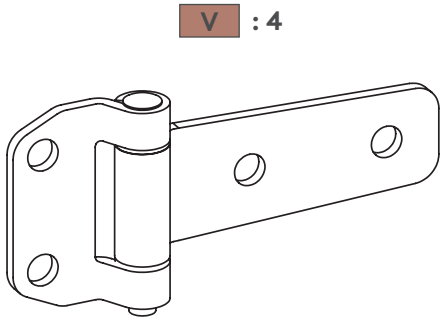


MATERIAL	M	FINISH	F
Steel	6	Zinc plated	3
		Black coated	2

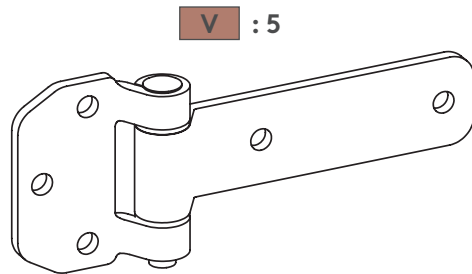
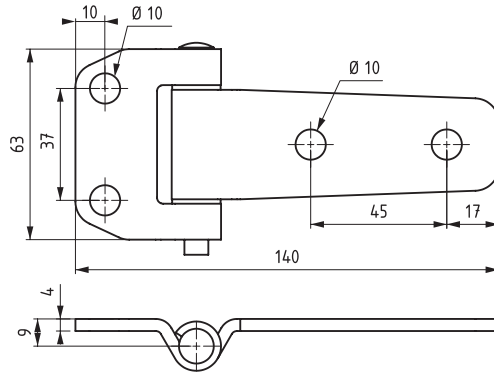


1599

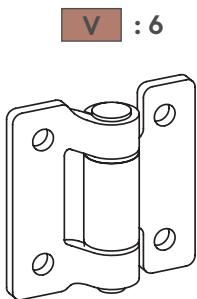
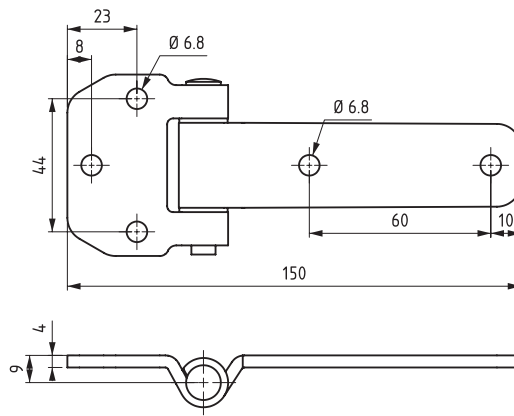
LEAF HINGE



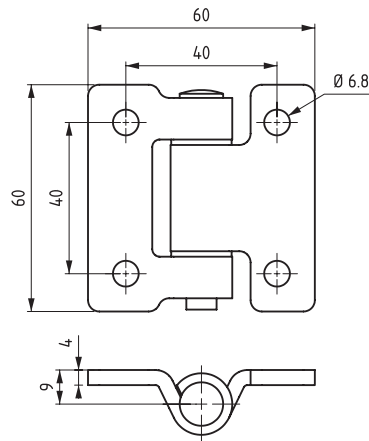
V : 4



V : 5



V : 6



- Stainless steel version: page 471
- Generally, used for plain/flush mounted, isolated, heavy doors.
- Both parts are attached by screws or nuts and bolts
- Hinge Rotation angle is 180°

APPLICATIONS

Generators, machinery covers, electric panels

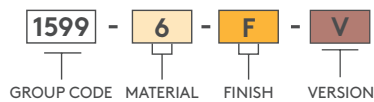
MATERIAL

BODY: Steel
PIN: Stainless steel

FINISH

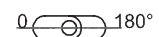
Zinc plated or black coated

PRODUCT CODE



MATERIAL	M	FINISH	F
Steel	6	Zinc plated	3
		Black coated	2

Hinge Rotation Angle



Note: Bolts are not supplied

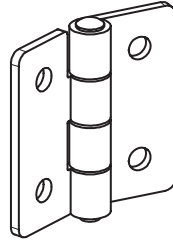
FLAT HINGES

LEAF HINGE

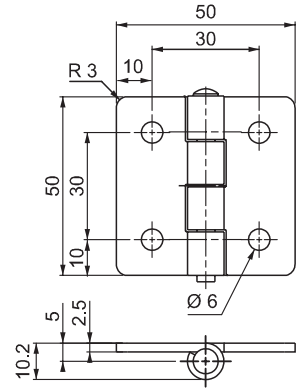
799



LH/RH



V : 1



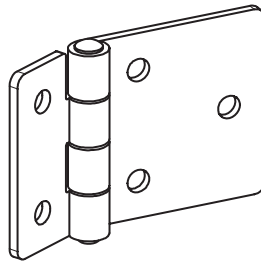
- Stainless steel version: page 469
- Generally used for plain/flush-mounted, isolated, heavy doors

APPLICATIONS

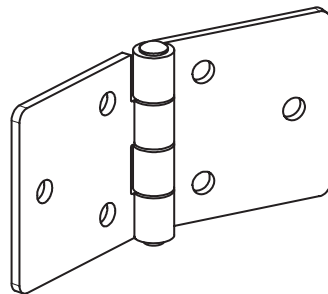
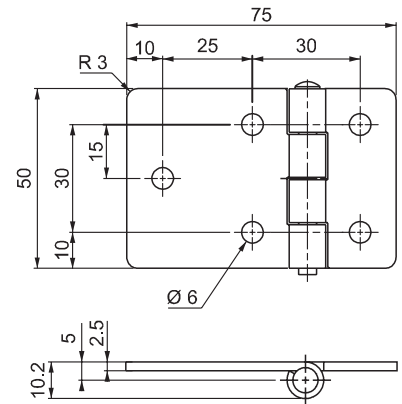
Electric panels, built-in covers

MATERIAL

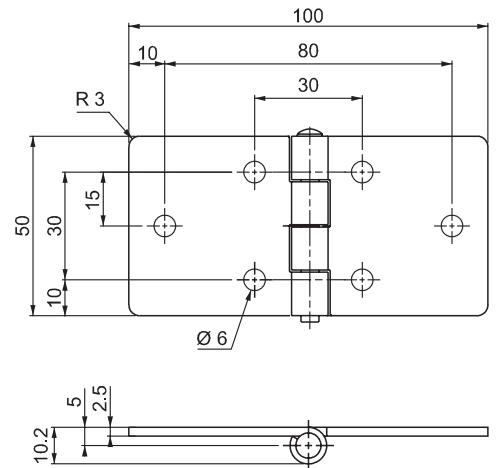
BODY: Steel
PIN: Stainless Steel



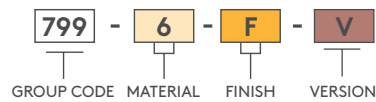
V : 2



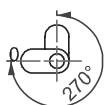
V : 3



PRODUCT CODE



Hinge Rotation Angle



MATERIAL	M	FINISH	F
Steel	6	Zinc plated	3
		Black coated	2

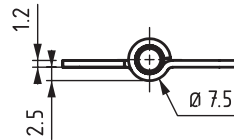
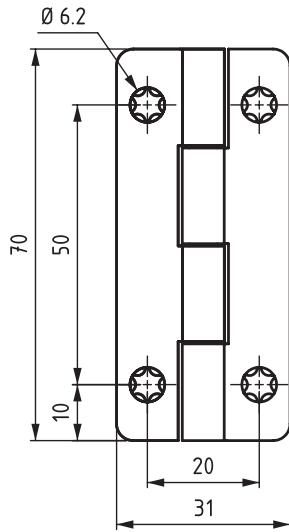


2899

LEAF HINGE



LH/RH



APPLICATIONS

Fire-hose cabinets, electric panels

MATERIAL

BODY: Steel

PIN: Stainless Steel

PRODUCT CODE

2899 - 6 - 3

GROUP CODE MATERIAL FINISH

Hinge Rotation Angle



FLAT HINGES

LEAF HINGE

1199



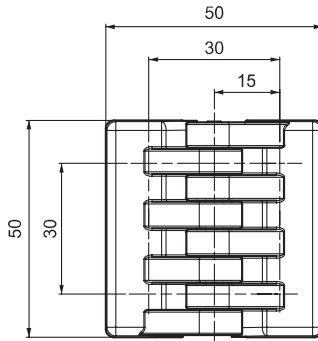
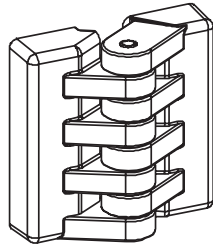
LH/RH

- Generally used for plain/flush-mounted doors
- With- or without-bolt options are available
- Stainless steel pin

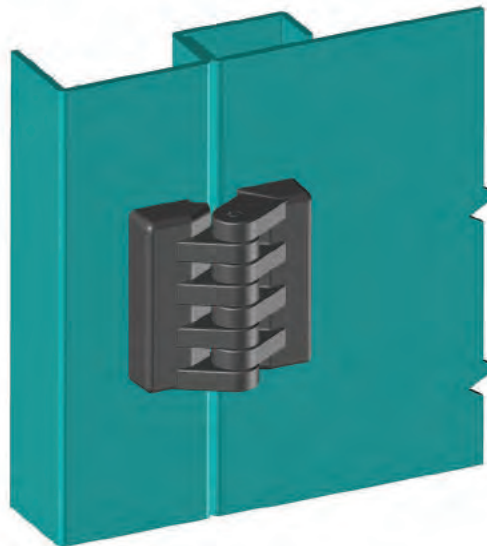
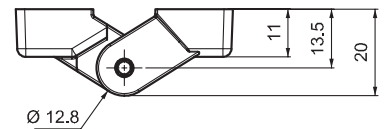
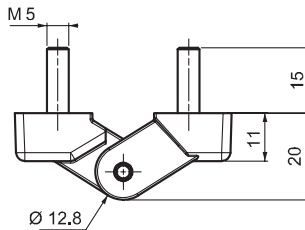
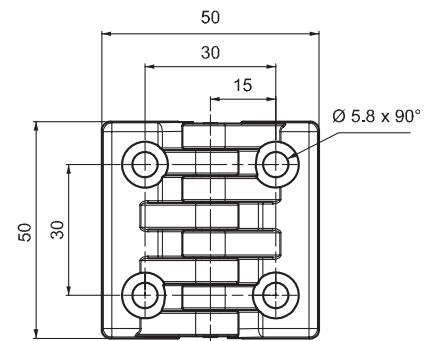
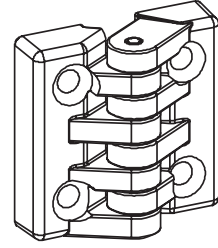
APPLICATIONS
Electric panels, built-in covers

MATERIAL
BODY: Polyamide DIN-EN ISO 1043-1 PA 6 GFR 30
PIN: Stainless Steel

V :1

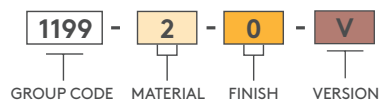


V :2

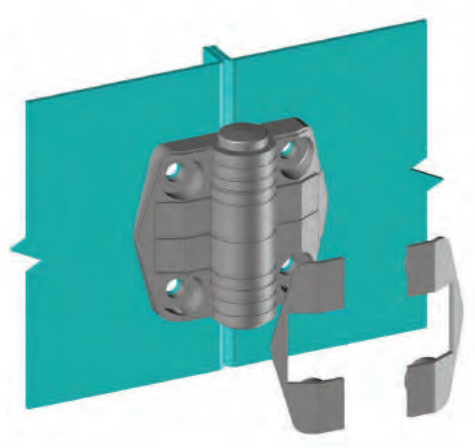
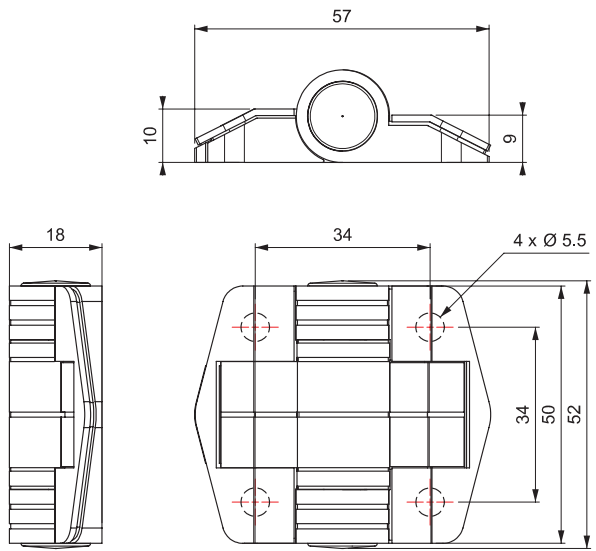


Hinge Rotation Angle
0° 180°

PRODUCT CODE



MATERIAL	M	FINISH	F
Plastic	2	No finish	0



Position	Force (N-m)	Version
	No Detens	10
80°	0.7	21
	1.1	22
	1.7	23
115°	0.7	31
	1.1	32
	1.7	33
150°	0.7	41
	1.1	42
	1.7	43

2599

INDEX HINGE



LH/RH



- Different angle and torque is available
- Holds door open at specific degrees. 80°, 115°, 150°

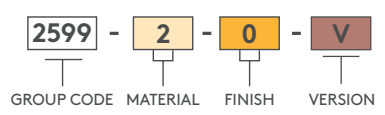
APPLICATIONS

Electric panels, machinery covers

MATERIAL

BODY: Polyamide DIN-EN ISO 1043-1 PA6 GFR 30
 PIN: Plastic

PRODUCT CODE



MATERIAL	M	FINISH	F
Plastic	2	No finish	0

FLAT HINGES

TORQUE HINGE

2199



LH/RH

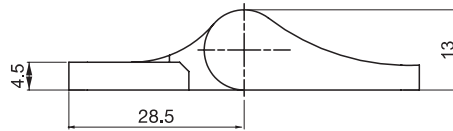
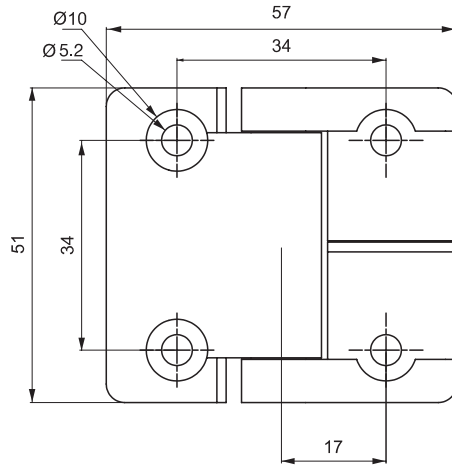
- 3.4 Nm symmetric torque
- Over 25,000 cycle life within $\pm 20\%$ of static torque specification
- Suitable left- and right-hand applications
- M5 screw mounting

APPLICATIONS

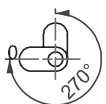
Display panels, office equipment, medical equipment, industrial enclosures

MATERIAL

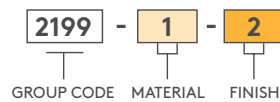
BODY: Zamak DIN-EN 1774-ZnAl4Cu1
PIN: Steel



Hinge Rotation Angle



PRODUCT CODE



MATERIAL	M	FINISH	F
Zamak	1	Black coated	2

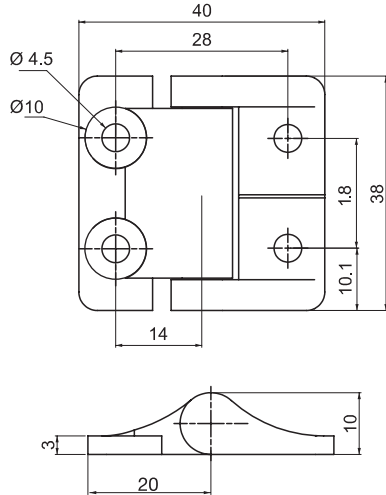


2099

TORQUE HINGE



LH/RH



- 2.3 Nm symmetric torque
- Over 25,000 cycle life within $\pm 20\%$ of static torque specification
- Suitable for left- and right-hand application
- M5 screw mounting

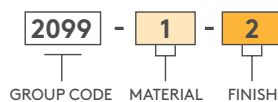
APPLICATIONS

Display panels, office equipment, medical equipment, industrial enclosures

MATERIAL

BODY: Zamak DIN-EN 1774-ZnAl4Cu1
PIN: Steel

PRODUCT CODE



MATERIAL	M	FINISH	F
Zamak	1	Black coated	2

Hinge Rotation Angle



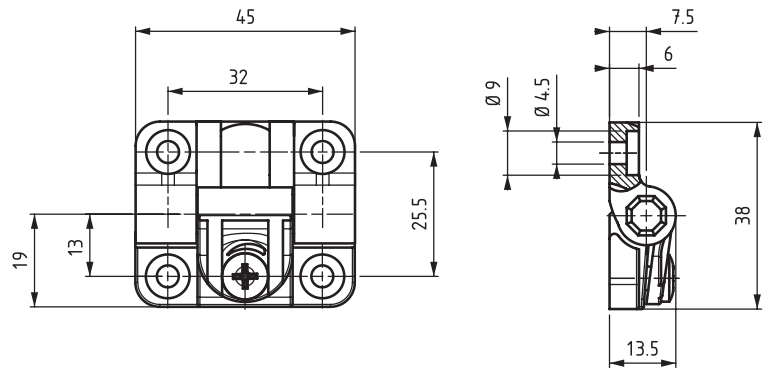
FLAT HINGES

ADJUSTABLE TORQUE HINGE

2399



LH/RH



- Hinge torque can be adjusted with screw
- Provide position control
- Suitable for left- and right-hand applications
- Fixed with M4 screw

APPLICATIONS

Generally used for plain/flush-mounted doors

MATERIAL

BODY: Polyamide DIN-EN ISO 1043-1 PA6 GFR 30

SCREWS AND NUTS: Stainless Steel (AISI 304)

PERFORMANCE DETAILS

Axial load: (N)

Working load: 700

Breaking load weight: 1100

Radial load: (N)

Working load: 1400

Breaking load weight: 1800

Torque value: 0.8 N.m.

Working temperature:

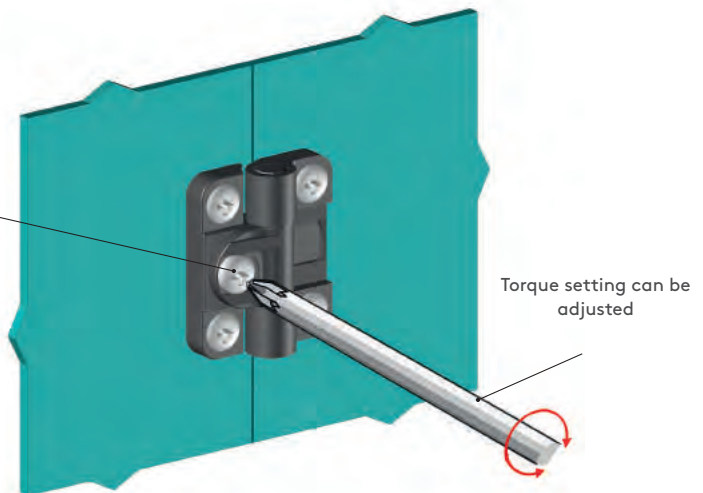
- 5°C + 65°C

Fasteners:

(Bolts and nuts are not supplied)

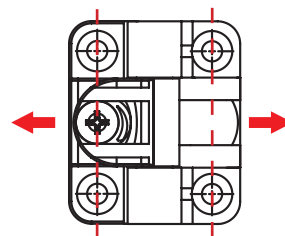
Screw and nut: M4

Torque adjustment bolt

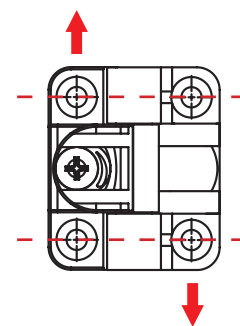


Torque setting can be adjusted

Axial load (N)



Radial load (N)

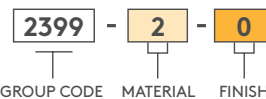


Hinge Rotation Angle



⚠ Note: Bolts and nuts are not supplied

PRODUCT CODE



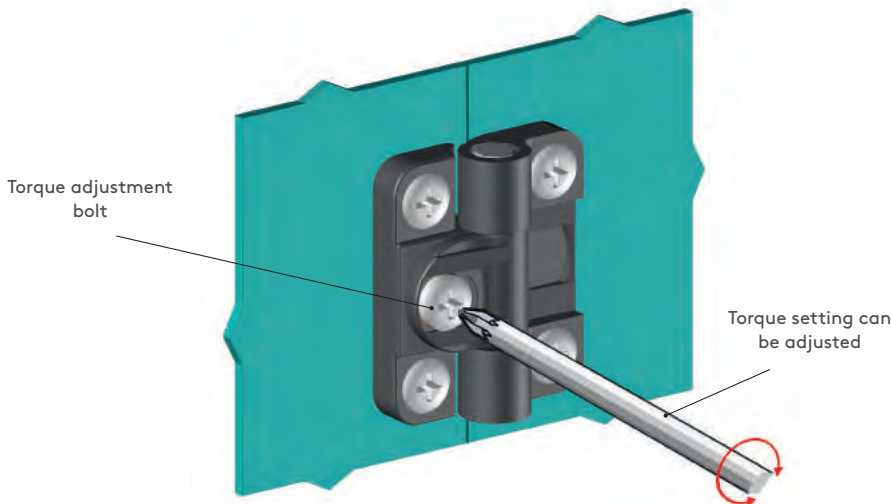
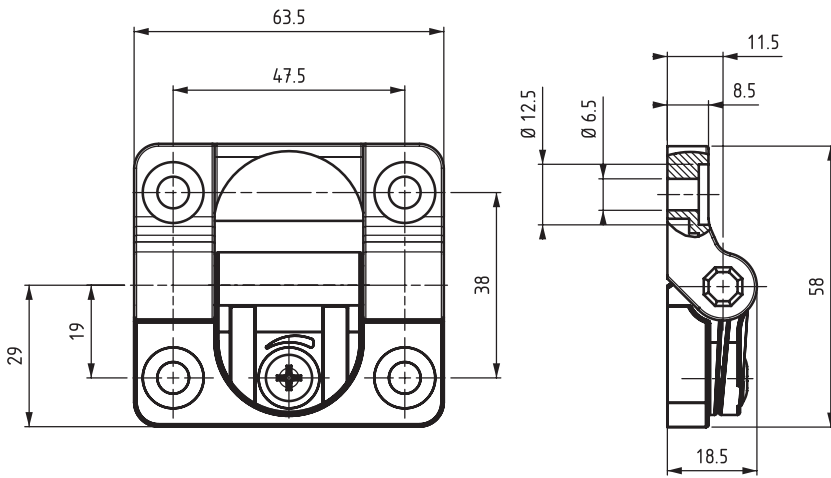


2499

ADJUSTABLE TORQUE HINGE



LH/RH



- Hinge torque can be adjusted by screw
- Provides position control
- Suitable for left- and right-hand applications
- Fixed by M6 screw

APPLICATIONS

Generally used for plain/flush-mounted doors

MATERIAL

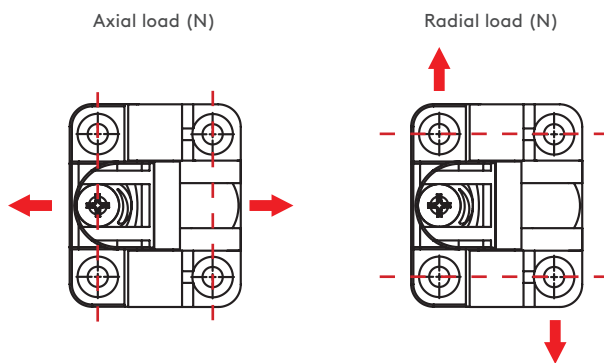
BODY: Polyamide DIN-EN ISO 1043-1 PA6 GFR 30

SCREWS AND NUTS: Stainless Steel (AISI 304)

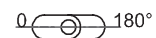
PERFORMANCE DETAILS

Axial load: (N)
 Working load: 1500
 Breaking load weight: 2350
Radial load: (N)
 Working load: 2250
 Breaking load weight: 3200
Torque value: 4 Nm
 Working temperature:
 - 5°C + 65°C

Fasteners:
 (Bolts and nut are not supplied)
 Screw and nut: M6



Hinge Rotation Angle



PRODUCT CODE

2499 - 2 - 0

GROUP CODE MATERIAL FINISH

FLAT HINGES

LIFT-OFF HINGE

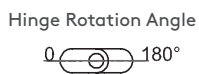
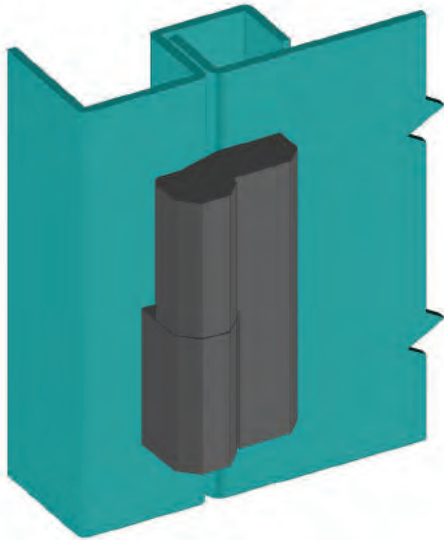
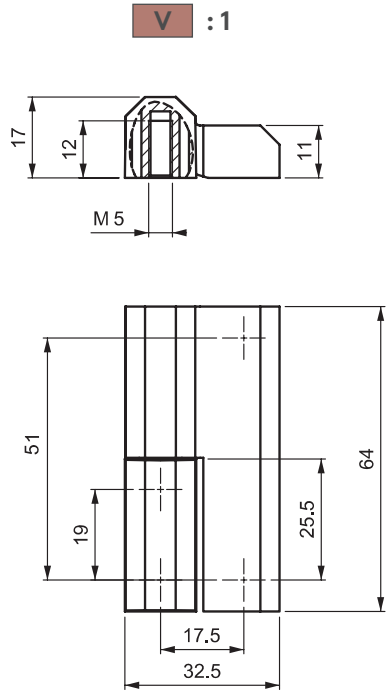
699



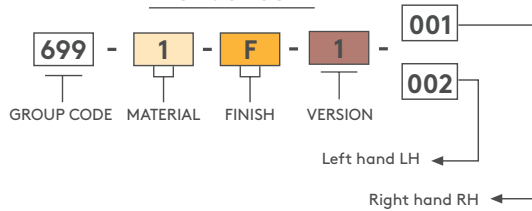
- Concealed mounting screws prevent external access to hinge
- Designed for plain/flush-mounted doors
- Suitable for left- and right-hand applications

APPLICATIONS
Electric panels, built-in covers

MATERIAL
BODY: Zamak DIN-EN 1774-ZnAl4Cu1
PIN: Stainless Steel



PRODUCT CODE



MATERIAL	M	FINISH	F
Zamak	1	Zinc plated	3
		Black coated	2



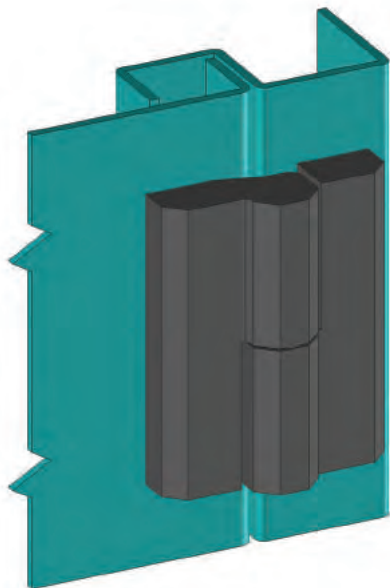
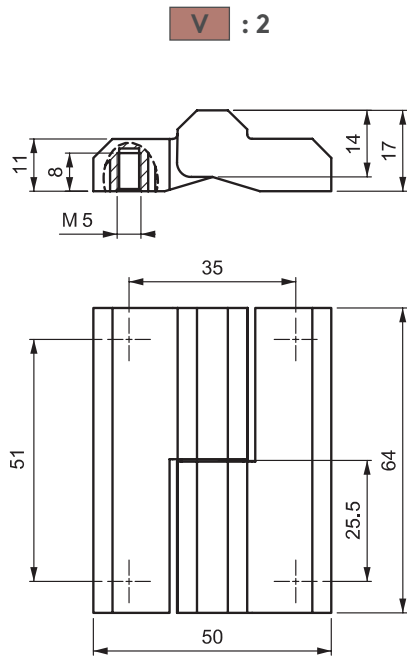
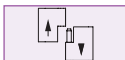
699

LIFT-OFF HINGE



RH

LH



- Concealed mounting screws prevent external access to hinge
- Designed for plain/flush-mounted doors
- Suitable for left- and right-hand applications

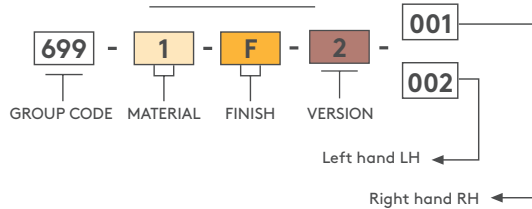
APPLICATIONS

Electric panels, built-in covers

MATERIAL

BODY: Zamak DIN-EN 1774-ZnAl4Cu1
PIN: Stainless Steel

PRODUCT CODE



Hinge Rotation Angle



MATERIAL	M	FINISH	F
Zamak	1	Zinc plated	3
		Black coated	2

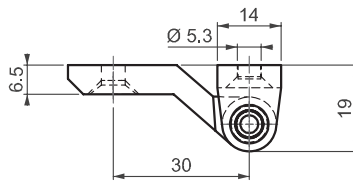
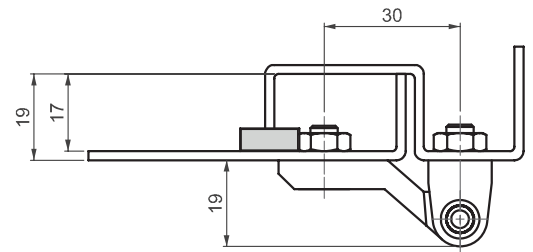
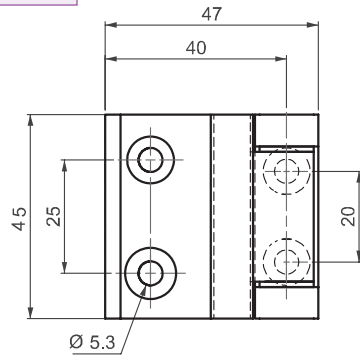
FLAT HINGES

HINGE WITH BEARING

100



LH/RH



APPLICATIONS

Electric panels, machinery covers

MATERIAL

BODY: Zamak DIN-EN 1774-ZnAl4Cu1

PIN: Steel
BEARING: Delrin

FINISH

Chrome
Black coated



Hinge Rotation Angle



Note: Bolts are not supplied

PRODUCT CODE

100 - 1 - F - 00
GROUP CODE MATERIAL FINISH HEIGHT

MATERIAL	M	FINISH	F
Zamak	1	Chrome	1
		Black coated	2

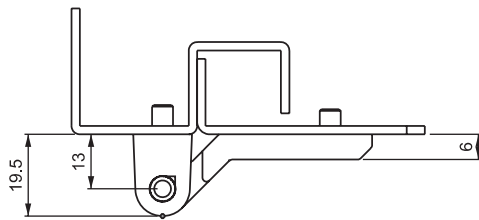
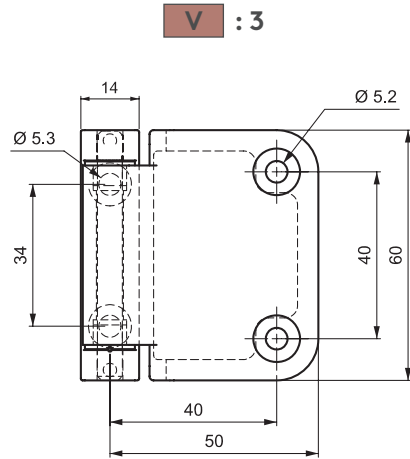


600

HVAC HINGE



LH/RH



- Stainless steel version: page 462
- Designed for plain/flush-mounted doors
- Pin and plastic guides supplied separately
- Can be used for offset doors
Please see Corner Hinges section

APPLICATIONS

Electric panels, built-in covers

MATERIAL

BODY: Zamak DIN-EN 1774-ZnAl4Cu1
PIN: Steel
BEARING: Delrin

FINISH

Black coated

PRODUCT CODE

600 - 1 - 2 - 00 - 3

GROUP CODE MATERIAL FINISH HEIGHT VERSION

MATERIAL	M	FINISH	F
Zamak	1	Black coated	2

Hinge Rotation Angle



Note: Bolts are not supplied

FLAT HINGES

HVAC HINGE (2D)

600



RH

LH

2D

- Designed for plain/flush-mounted doors
- Hinge supplied pre-assembled to decrease labour costs
- Two-dimensional door adjustment possible
- Axial adjustment is ± 2 mm. Radial adjustment is ± 1 mm.
- Also can be used for offset doors
Please see Corner Hinges section

APPLICATIONS

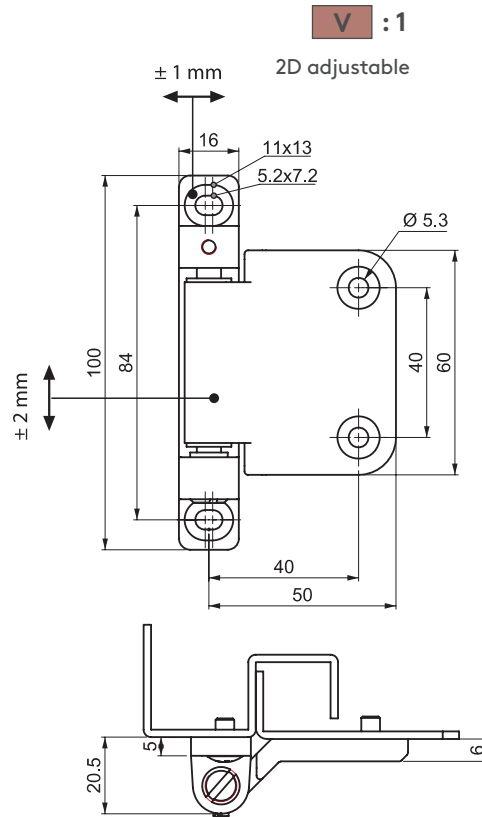
Central air conditioning units, electric panels, machinery covers

MATERIAL

BODY: Zamak DIN-EN 1774-ZnAl4Cu1
PIN: Steel
BEARING: Delrin

FINISH

Black coated

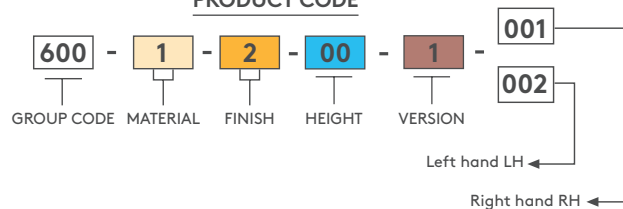


Hinge Rotation Angle



⚠ Note: Bolts are not supplied

PRODUCT CODE



MATERIAL	M	FINISH	F
Zamak	1	Black coated	2

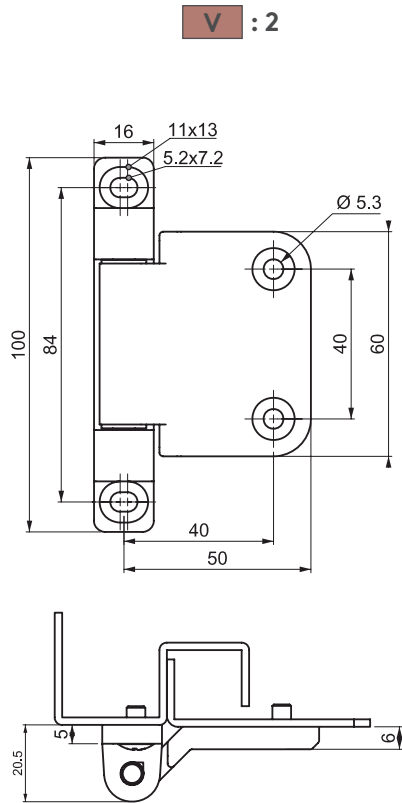


600

LEAF HINGE



LH/RH



- Designed for plain/flush-mounted doors
- Hinge supplied pre-assembled to decrease labour costs
- Can be used for offset doors
Please see Corner Hinges section

APPLICATIONS

Central air conditioning units, electric panels, machinery covers

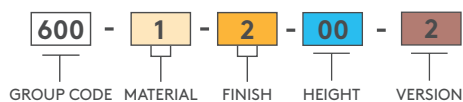
MATERIAL

BODY: Zamak DIN-EN 1774-ZnAl4Cu1
PIN: Steel
BEARING: Delrin

FINISH

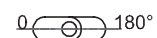
Black coated

PRODUCT CODE



MATERIAL	M	FINISH	F
Zamak	1	Black coated	2

Hinge Rotation Angle



Note: Bolts are not supplied

FLAT HINGES

HVAC HINGE (2D)

700



RH

LH

2D

- Designed for plain/flush-mounted doors
- Hinge supplied pre-assembled to decrease labour costs
- Two-dimensional door adjustment possible
- Axial adjustment is ± 2 mm. Radial adjustment is ± 1 mm.
- Can be used for offset doors
Please see Corner Hinges section

APPLICATIONS

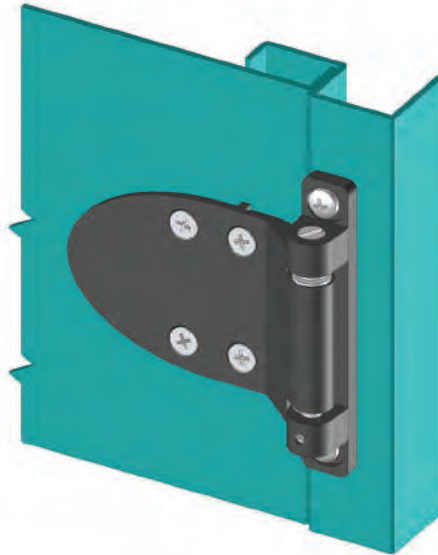
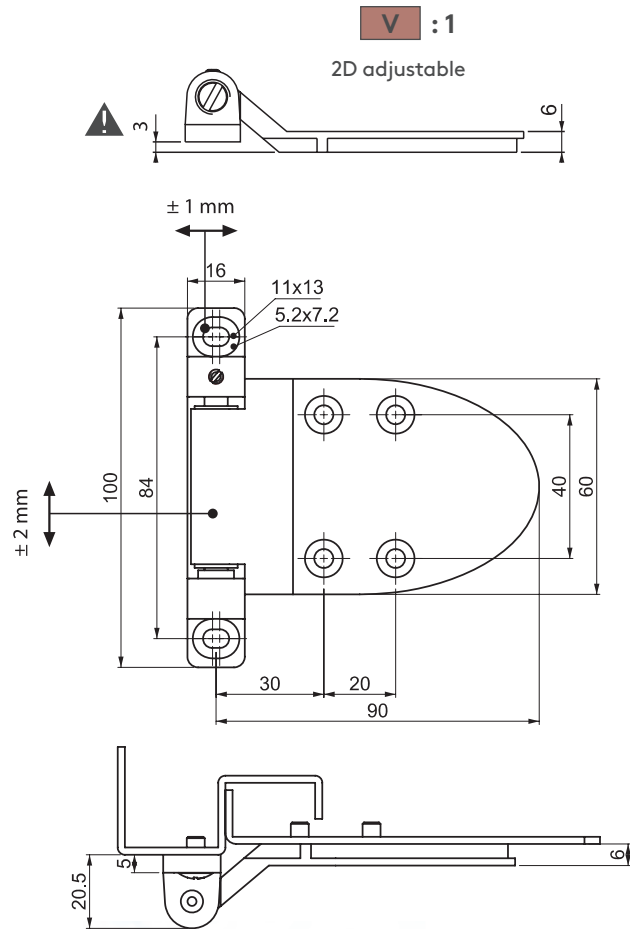
Central air conditioning units, electric panels, machinery covers

MATERIAL

BODY: Zamak DIN-EN 1774-ZnAl4Cu1
PIN: Steel
BEARING: Delrin

FINISH

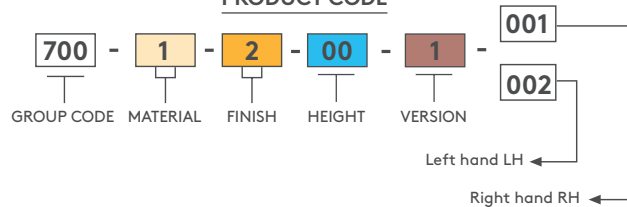
Black coated



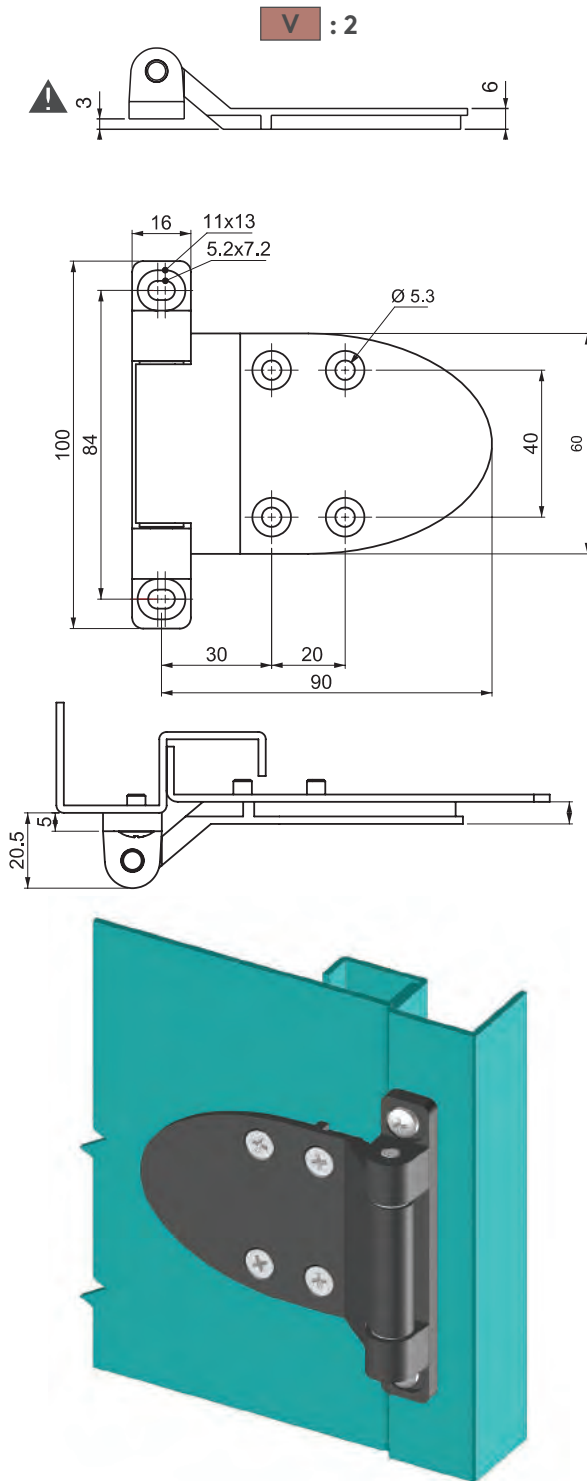
Hinge Rotation Angle



PRODUCT CODE



MATERIAL	M	FINISH	F
Zamak	1	Black coated	2



700

HVAC HINGE



LH/RH



- Design for plain/flush-mounted doors
- For side-mounted doors with a bend of 2-12 mm
- Hinge supplied pre-assembled to decrease labour costs
- Can be used for offset doors
Please see Corner Hinges section

APPLICATIONS

Central air conditioning units, electric panels, machinery covers

MATERIAL

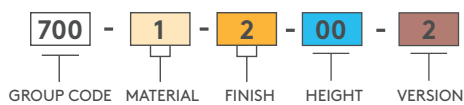
BODY: Zamak DIN-EN 1774-ZnAl4Cu1

PIN: Steel
BEARING: Delrin

FINISH

Black coated

PRODUCT CODE



MATERIAL	M	FINISH	F
Zamak	1	Black coated	2

Hinge Rotation Angle






FLAT HINGES

HVAC HINGE (3D)

800



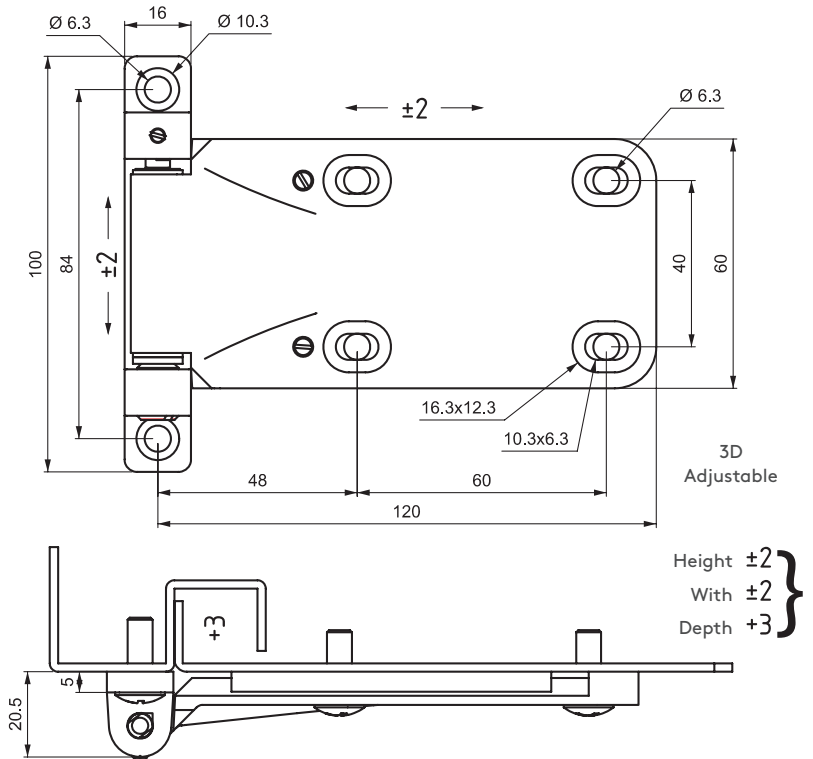
-  RH
-  LH
-  3D

- Suitable for three-dimensional door adjustment
- Can be used for flush doors

APPLICATIONS
Central air conditioning units, electric panels, machinery covers

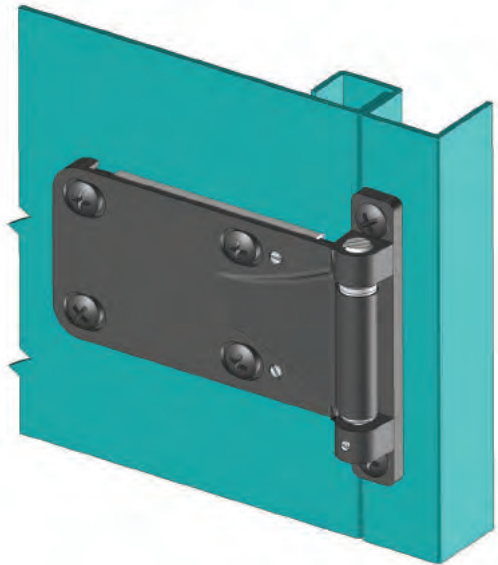
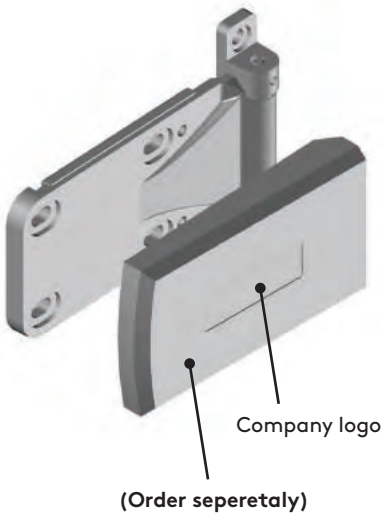
MATERIAL
BODY: Zamak DIN-EN 1774-ZnAl4Cu1
PIN: Steel
BEARING: Delrin

FINISH
Black coated

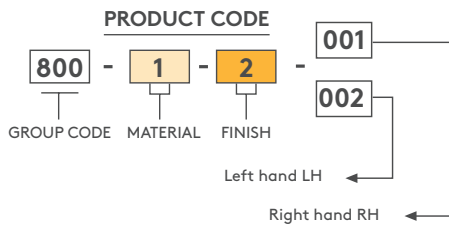


HINGE COVER

320.02.017



MATERIAL
Polyamide
DIN-EN ISO1043-1 PA6 GFR 30



MATERIAL	M	FINISH	F
Zamak	1	Black coated	2



500

HVAC HINGE



LH/RH



- Generally used for plain/flush-mounted, isolated, heavy doors
- Specially designed for central air conditioning units
- Stylish design
- Supplied with polyamide hinge cover and Stainless steel (AISI 304) hinge pin

APPLICATIONS

Central air conditioning units

MATERIAL

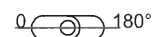
BODY: Zamak DIN-EN 1774-ZnAl4Cu1
 PIN: Stainless Steel
 BEARING: Delrin
 COVER: PA 6 GFR 30

FINISH

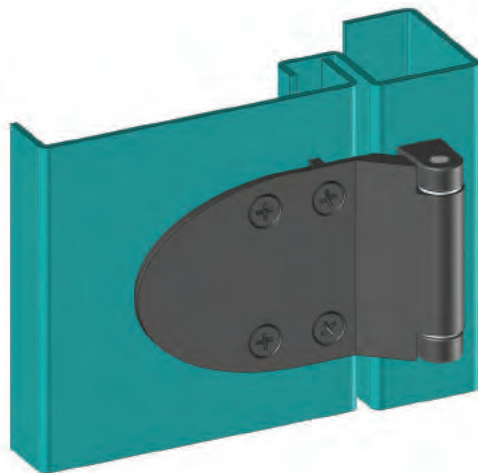
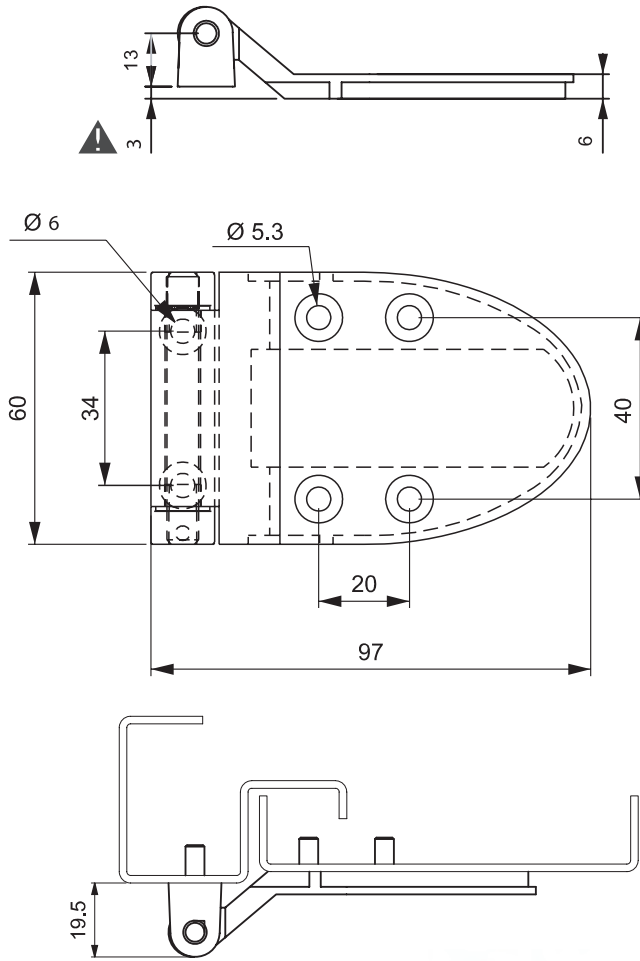
Black coated



Hinge Rotation Angle



Note: Bolts are not supplied



PRODUCT CODE

500 - 1 - 2

GROUP CODE MATERIAL FINISH

MATERIAL	M	FINISH	F
Zamak	1	Black coated	2

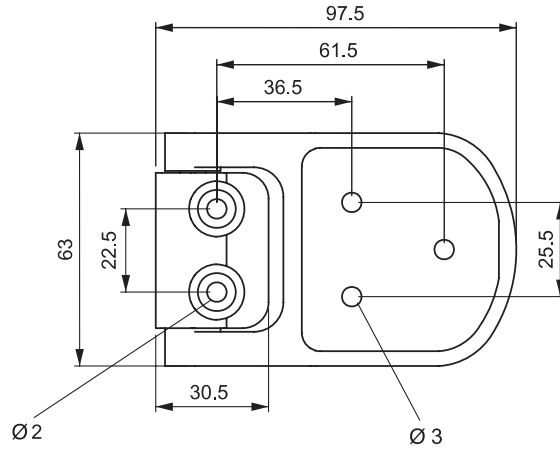
FLAT HINGES

HVAC HINGE

300



LH/RH

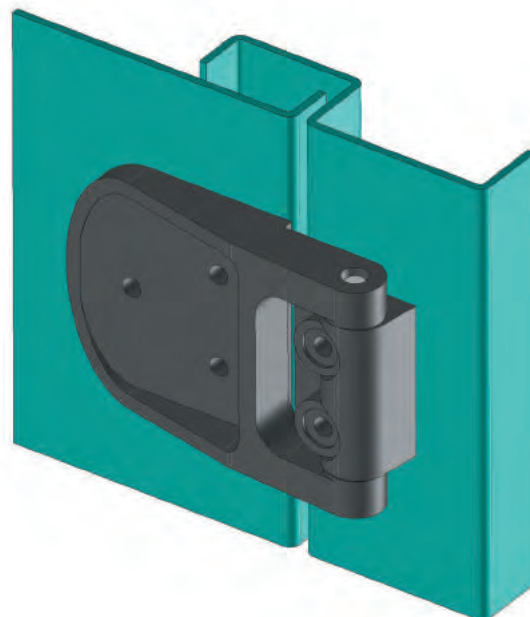
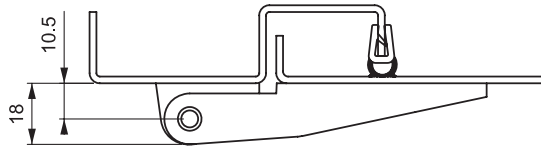


APPLICATIONS

Central air conditioning units,
electric panels, machinery covers

MATERIAL

BODY: Polyamide DIN-EN
ISO 1043-1
PA 6 GFR 30
PIN: Stainless Steel



Hinge Rotation Angle



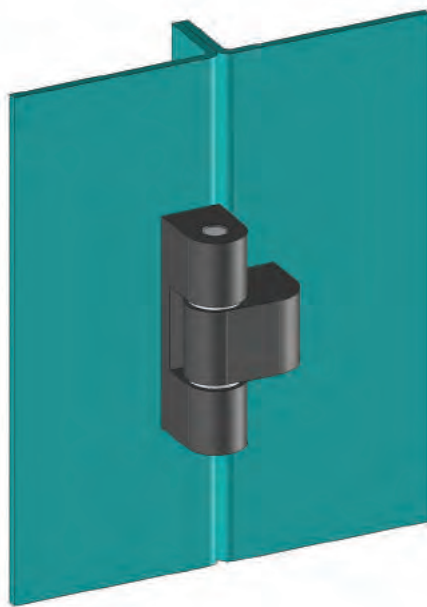
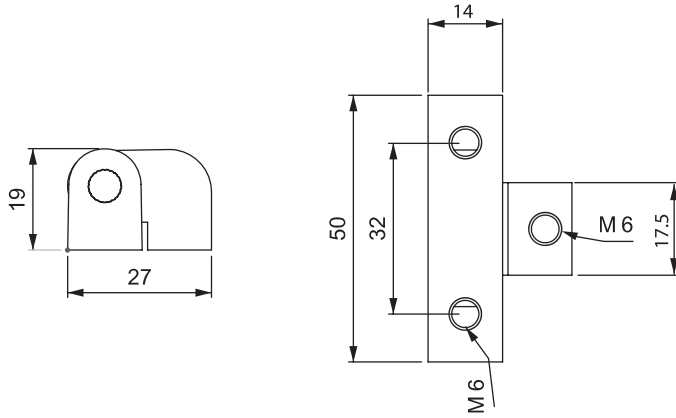


693

HINGE WITH BEARING



LH/RH



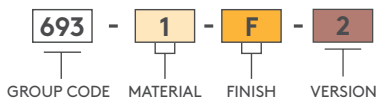
APPLICATIONS

Electric panels, machinery covers

MATERIAL

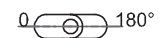
BODY: Zamak DIN-EN 1774-ZnAl4Cu1
 PIN: Stainless Steel
 BEARING: Delrin

PRODUCT CODE



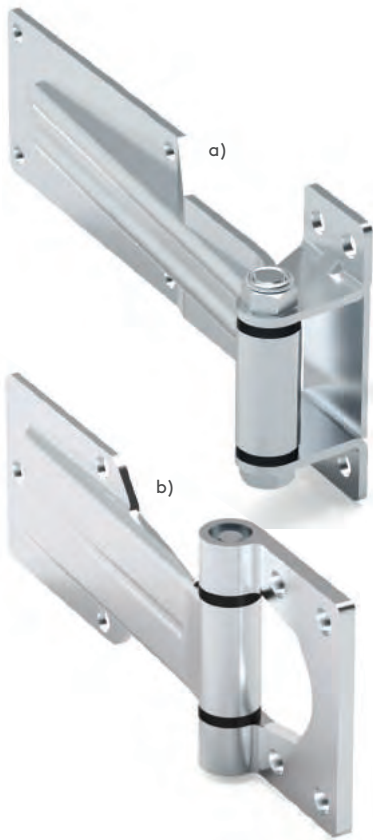
MATERIAL		FINISH	
	M		F
Zamak	1	Chrome	1
		Black coated	2

Hinge Rotation Angle

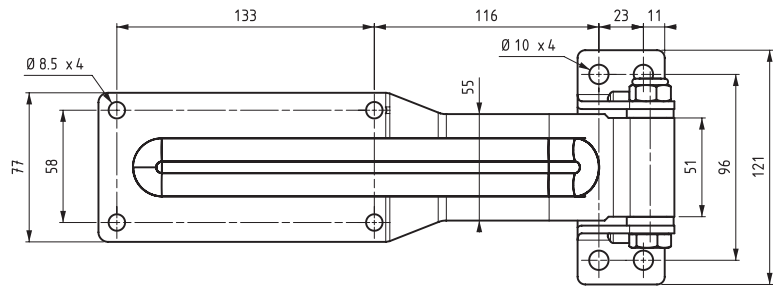
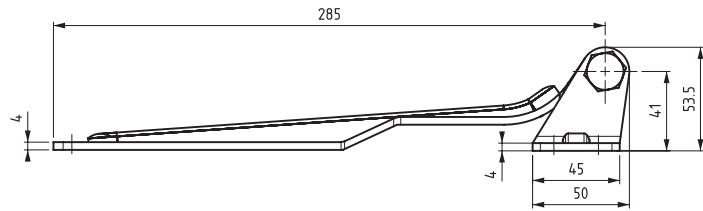


FLAT HINGES

TRUCK CARRIER HINGE



LH/RH



a)

MATERIAL AND FINISH	PRODUCT CODE
Steel – zinc plated	340.0.8024
Steel – black coated	340.0.8025

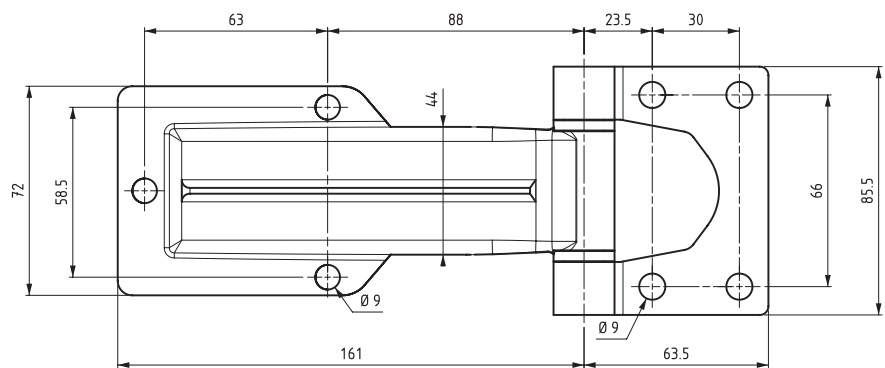
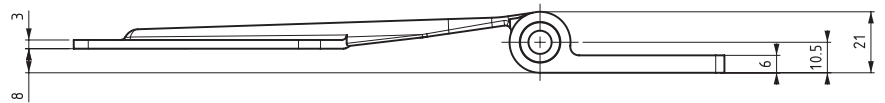
- Strong hinge used on doors of refrigerated truck carriers and trailers
- Opening angle 270°
- Provided as zinc plated or black-powder coated
- Suitable for left- and right-hand applications

APPLICATIONS

Trailers, refrigerated truck carriers

MATERIAL

Frame part: Steel
Door part: Steel



b)

MATERIAL AND FINISH	PRODUCT CODE
Steel – zinc plated	340.0.8023
Steel – black coated	340.0.8029



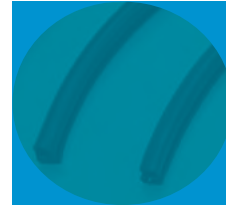


GASKETS



GASKETS

PRODUCT NAME
ADHESIVE GASKET
EDGE PROTECTION
SIDE BUBBLE GASKET
TOP BUBBLE GASKET
FIN GASKET
S GASKET
GLAZING GASKET
EDGE GASKET



ESSENTRA

PAGE

364 - 365

364

366 - 368, 377 - 378

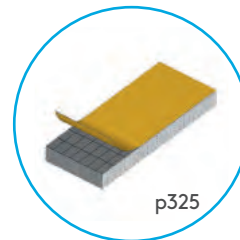
369 - 371, 378

371 - 372

372, 380

373

374 - 376



p325



p326



p329

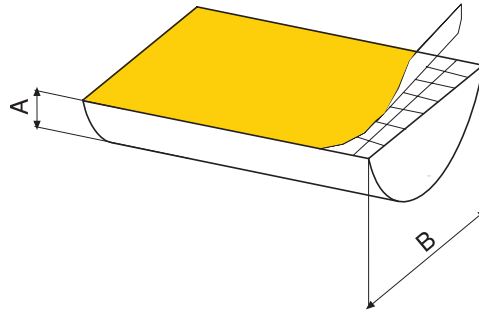
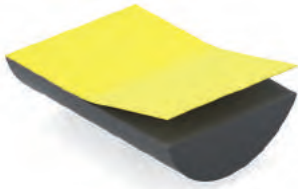


p333

GASKETS

ADHESIVE TYPE GASKET

1300



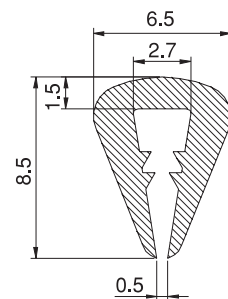
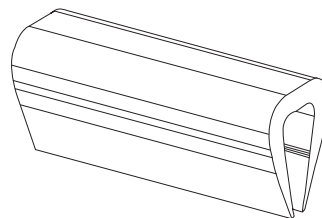
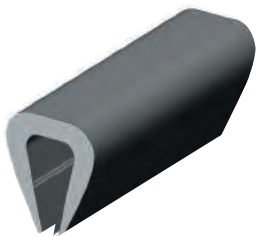
- Provides heat, sound, isolation; suitable for ingress protection
- 10-year life cycle
- Easy application with adhesive band

MATERIAL
Polyurethane

A MM	B MM	PRODUCT CODE	STANDARD ROLL LENGTH
3	10	1300.3.10	50
3	15	1300.3.15	50
3	20	1300.3.20	50
4	10	1300.4.10	50
4	15	1300.4.15	50
4	20	1300.4.20	50
5	10	1300.5.10	50
5	15	1300.5.15	50
5	20	1300.5.20	50
6	10	1300.6.10	25
6	15	1300.6.15	25
6	20	1300.6.20	25
7	10	1300.7.10	25
7	15	1300.7.15	25
7	25	1300.7.25	25
8	10	1300.8.10	25
8	15	1300.8.15	25
8	20	1300.8.20	25
9	15	1300.9.15	25
9	20	1300.9.20	25
10	15	1300.10.15	25
10	20	1300.10.20	25

⚠ Please contact Essentra for different sizes

EDGE PROTECTION

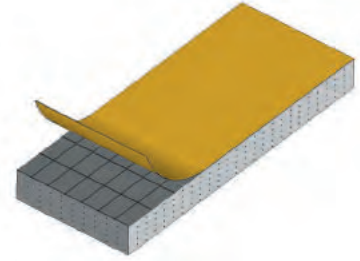
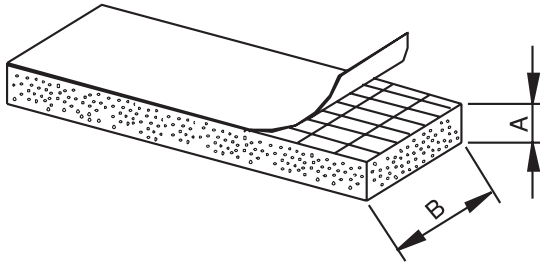


MATERIAL
PVC

SPECIFICATIONS	PRODUCT CODE
1.5 mm thickness panel	1010
1.5 mm thickness panel	1011
1.0 mm thickness panel	1012



ADHESIVE TYPE GASKET



A MM	B MM	1100 POLYETHYLENE	1200 EPDM
2	10	1100.2.10	1200.2.10
2	15	1100.2.15	1200.2.15
2	20	1100.2.20	1200.2.20
2	25	1100.2.25	1200.2.25
2	30	1100.2.30	1200.2.30
3	10	1100.3.10	1200.3.10
3	15	1100.3.15	1200.3.15
3	18	1100.3.18	1200.3.18
3	20	1100.3.20	1200.3.20
3	25	1100.3.25	1200.3.25
3	30	1100.3.30	1200.3.30
3	40	1200.3.40	1200.3.40
5	10	1100.5.10	1200.5.10
5	13	1100.5.13	1200.5.13
5	15	1100.5.15	1200.5.15
5	18	1100.5.18	1200.5.18
5	20	1100.5.20	1200.5.20
5	25	1100.5.25	1200.5.25
5	30	1100.5.30	1200.5.30
5	35	1100.5.35	1200.5.35
5	40	1100.5.40	1200.5.40
5	50	1100.5.50	1200.5.50
8	8	1100.8.8	1200.8.8
8	10	1100.8.10	1200.8.10
8	12	1100.8.12	1200.8.12
8	15	1100.8.15	1200.8.15
8	20	1100.8.20	1200.8.20
8	25	1100.8.25	1200.8.25
8	30	1100.8.30	1200.8.30
8	40	1100.8.40	1200.8.40
10	10	1100.10.10	1200.10.10
10	12	1100.10.12	1200.10.12
10	15	1100.10.15	1200.10.15
10	20	1100.10.20	1200.10.20
10	25	1100.10.25	1200.10.25
10	30	1100.10.30	1200.10.30
10	35	1100.10.35	1200.10.35
10	40	1100.10.40	1200.10.40

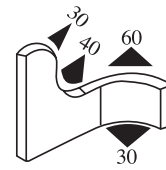
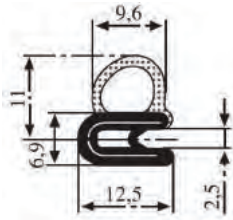
MATERIAL

Polyethylene or EPDM Rubber

GASKETS



340.09.001



Grip range:
1.0-2.0 mm

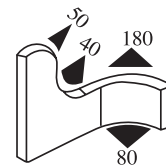
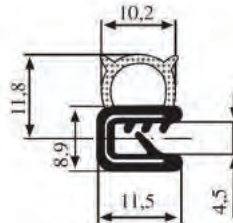
Material:	EPDM	Colour:	BLACK	Packing (mt.):	100
-----------	------	---------	-------	----------------	-----



340.09.002

UL 94 -V0

340.09.002.003

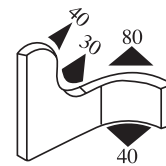
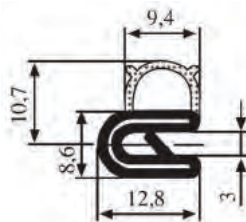


Grip range:
1.0-3.0 mm

Material:	EPDM	Colour:	BLACK	Packing (mt.):	100
-----------	------	---------	-------	----------------	-----



340.09.003

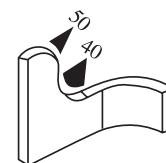
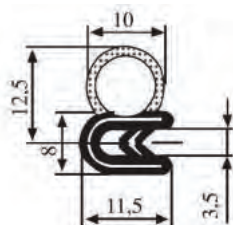


Grip range:
1.0-2.5 mm

Material:	EPDM	Colour:	BLACK	Packing (mt.):	100
-----------	------	---------	-------	----------------	-----

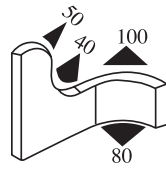
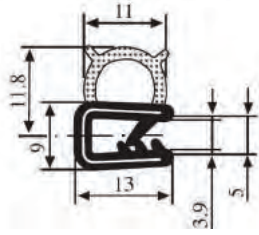


340.09.004



Grip range:
1.0-2.0 mm

Material:	EPDM	Colour:	BLACK	Packing (mt.):	100
-----------	------	---------	-------	----------------	-----



340.09.006

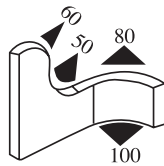
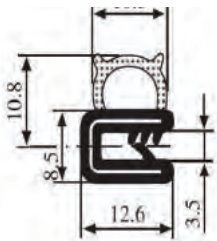
Grip range:
1.0-3.0 mm

UL 94 -V0

340.09.006.001



Material:	EPDM	Colour:	BLACK	Packing (mt.):	100
-----------	------	---------	-------	----------------	-----

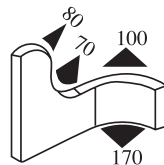
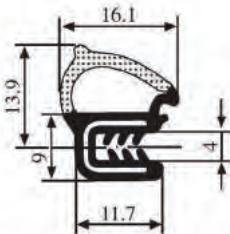


340.09.007

Grip range:
1.0-2.0 mm



Material:	EPDM	Colour:	BLACK	Packing (mt.):	100
-----------	------	---------	-------	----------------	-----

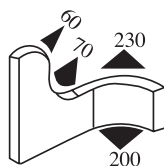
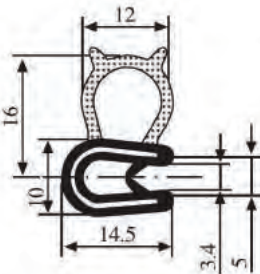


340.09.010

Grip range:
1.5-3.0 mm



Material:	EPDM	Colour:	BLACK	Packing (mt.):	50
-----------	------	---------	-------	----------------	----



340.09.014

Grip range:
1.0-3.0 mm

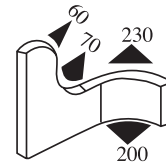
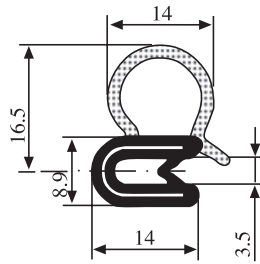


Material:	EPDM	Colour:	BLACK	Packing (mt.):	50
-----------	------	---------	-------	----------------	----

GASKETS



340.09.017

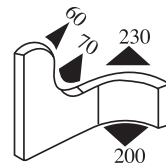
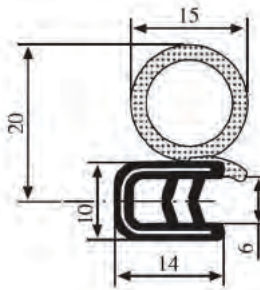


Grip range:
1.0-3.0 mm

Material:	EPDM	Colour:	BLACK	Packing (mt.):	50
-----------	------	---------	-------	----------------	----



340.09.019

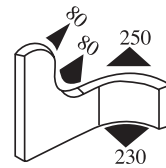
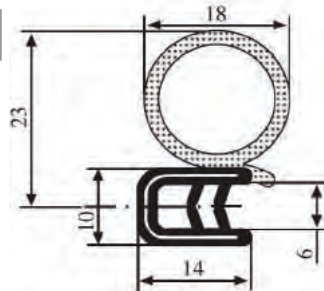


Grip range:
1.0-4.0 mm

Material:	EPDM	Colour:	BLACK	Packing (mt.):	50
-----------	------	---------	-------	----------------	----



340.09.021

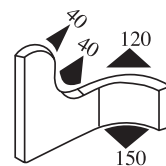
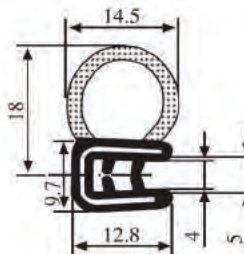


Grip range:
1.0-4.0 mm

Material:	EPDM	Colour:	BLACK	Packing (mt.):	40
-----------	------	---------	-------	----------------	----

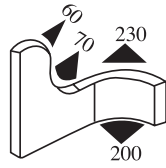
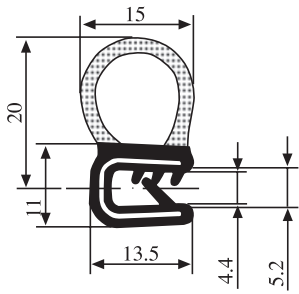


340.09.029



Grip range:
1.5-3.5 mm

Material:	EPDM	Colour:	BLACK	Packing (mt.):	50
-----------	------	---------	-------	----------------	----

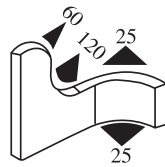
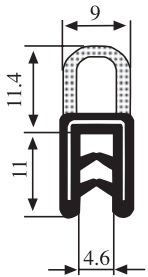


340.09.030

Grip range:
1.5-3.5 mm



Material:	EPDM	Colour:	BLACK	Packing (mt.):	50
-----------	------	---------	-------	----------------	----

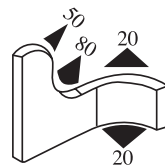
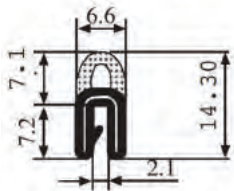


340.09.101

Grip range:
1.0-3.0 mm



Material:	EPDM	Colour:	BLACK	Packing (mt.):	100
-----------	------	---------	-------	----------------	-----



340.09.102

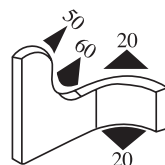
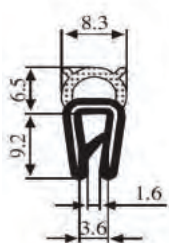
Grip range:
1.0-2.0 mm

UL 94 -V0

340.09.102.001



Material:	EPDM	Colour:	BLACK	Packing (mt.):	100
-----------	------	---------	-------	----------------	-----



340.09.103

Grip range:
1.0-2.0 mm

UL 94 -V0

340.09.103.002

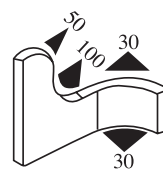
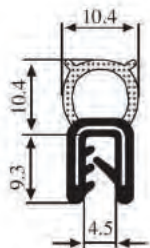


Material:	EPDM	Colour:	BLACK	Packing (mt.):	100
-----------	------	---------	-------	----------------	-----

GASKETS



340.09.104

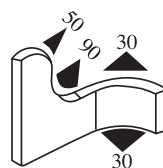
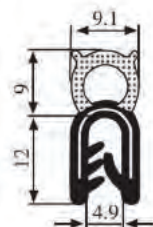


Grip range:
1.0-3.0 mm

Material: EPDM Colour: BLACK Packing (mt.): 100



340.09.105

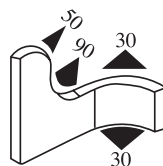
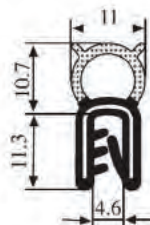


Grip range:
1.0-3.5 mm

Material: EPDM Colour: BLACK Packing (mt.): 100



340.09.107

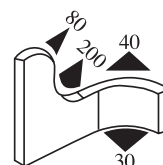
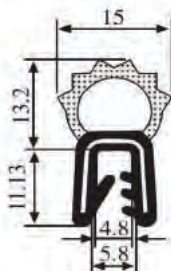


Grip range:
1.0-3.5 mm

Material: EPDM Colour: BLACK Packing (mt.): 100

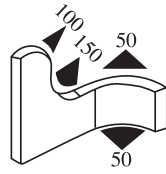
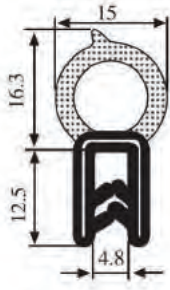


340.09.109



Grip range:
1.0-3.5 mm

Material: EPDM Colour: BLACK Packing (mt.): 75

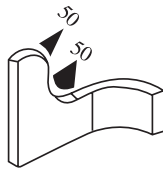
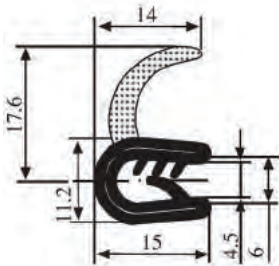


340.09.124

Grip range:
1.0-3.5 mm



Material:	EPDM	Colour:	BLACK	Packing (mt.):	50
-----------	------	---------	-------	----------------	----

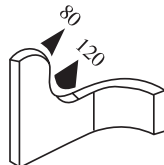
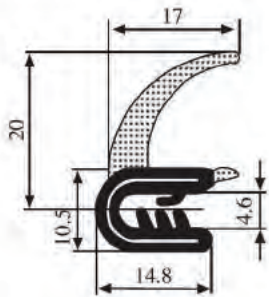


340.09.202

Grip range:
2.0-4.0 mm



Material:	EPDM	Colour:	BLACK	Packing (mt.):	50
-----------	------	---------	-------	----------------	----

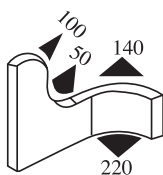
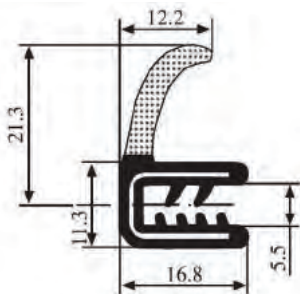


340.09.203

Grip range:
1.0-3.5 mm



Material:	EPDM	Colour:	BLACK	Packing (mt.):	50
-----------	------	---------	-------	----------------	----



340.09.205

Grip range:
2.0-4.0 mm

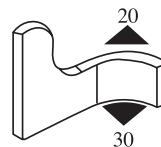
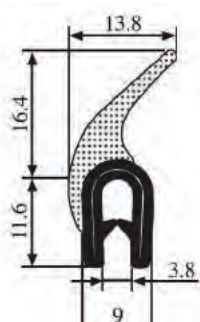


Material:	EPDM	Colour:	BLACK	Packing (mt.):	50
-----------	------	---------	-------	----------------	----

GASKETS



340.09.206

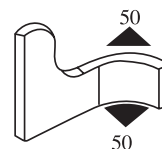


Grip range:
2.0-4.0 mm

Material:	EPDM	Colour:	BLACK	Packing (mt.):	50
-----------	------	---------	-------	----------------	----



340.09.210

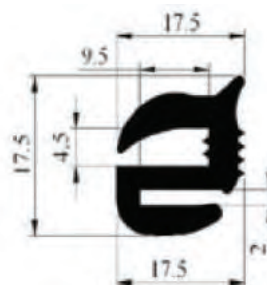


Grip range:
1.5-3.0 mm

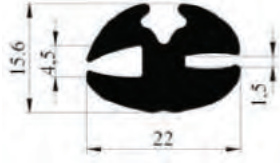
Material:	EPDM	Colour:	BLACK	Packing (mt.):	50
-----------	------	---------	-------	----------------	----



340.09.419



Material:	EPDM	Colour:	BLACK	Packing (mt.):	50
-----------	------	---------	-------	----------------	----



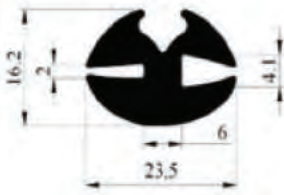
340.09.380

340.09.383

Packing (mt.): 200



Material:	EPDM	Colour:	BLACK	Packing (mt.):	50
-----------	------	---------	-------	----------------	----



340.09.381

340.09.383

Packing (mt.): 200



Material:	EPDM	Colour:	BLACK	Packing (mt.):	50
-----------	------	---------	-------	----------------	----



340.09.385

340.09.611

Packing (mt.): 100



Material:	EPDM	Colour:	BLACK	Packing (mt.):	50
-----------	------	---------	-------	----------------	----



340.09.382

340.09.384

Packing (mt.): 200

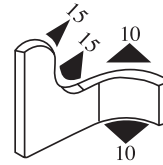
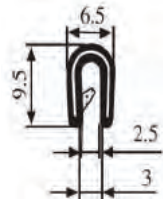


Material:	EPDM	Colour:	BLACK	Packing (mt.):	100
-----------	------	---------	-------	----------------	-----

GASKETS



340.09.502

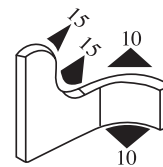
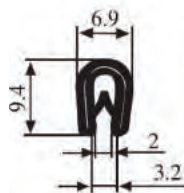


Grip range:
1.0-2.0 mm

Material: PVC Colour: BLACK Packing (mt.): 200



340.09.504

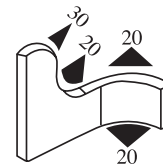
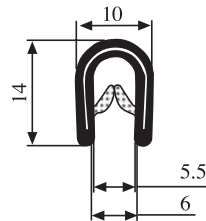


Grip range:
1.0-2.0 mm

Material: PVC Colour: BLACK Packing (mt.): 200



340.09.516

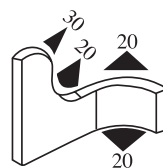
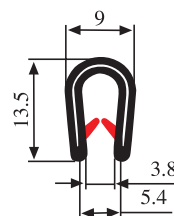


Grip range:
1.0-4.0 mm

Material: PVC Colour: BLACK Packing (mt.): 150

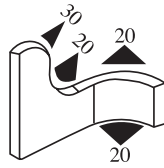
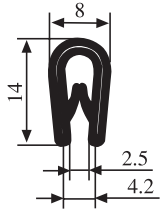


340.09.517



Grip range:
1.0-3.5 mm

Material: PVC Colour: BLACK-RED Packing (mt.): 150

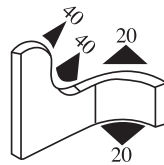
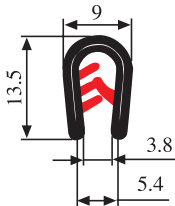


340.09.522

Grip range:
1.0-3.0 mm



Material:	PVC	Colour:	BLACK	Packing (mt.):	150
------------------	-----	----------------	-------	-----------------------	-----

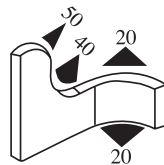
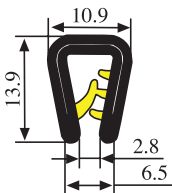


340.09.523

Grip range:
1.5-4.0 mm



Material:	PVC	Colour:	BLACK-RED	Packing (mt.):	150
------------------	-----	----------------	-----------	-----------------------	-----

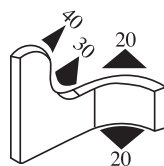
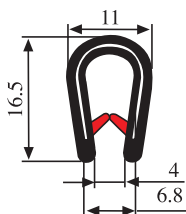


340.09.527

Grip range:
1.5-5.0 mm



Material:	PVC	Colour:	BLACK-YELLOW	Packing (mt.):	150
------------------	-----	----------------	--------------	-----------------------	-----



340.09.530

Grip range:
2.0-4.0 mm

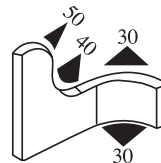
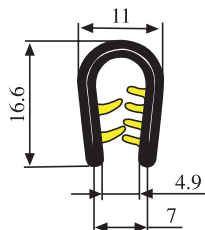


Material:	PVC	Colour:	BLACK-RED	Packing (mt.):	100
------------------	-----	----------------	-----------	-----------------------	-----

GASKETS



340.09.538

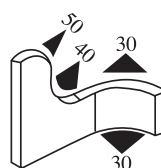
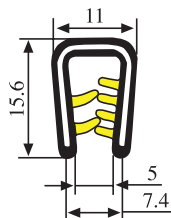


Grip range:
1.0-4.0 mm

Material:	EPDM	Color:	BLACK-YELLOW	Packing (mt.):	100
-----------	------	--------	--------------	----------------	-----



340.09.540

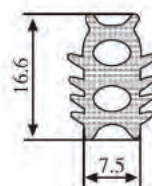


Grip range:
1.5-4.5 mm

Material:	EPDM	Colour:	BLACK-YELLOW	Packing (mt.):	100
-----------	------	---------	--------------	----------------	-----



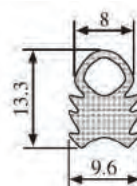
340.09.678



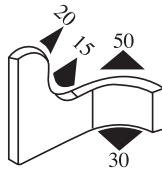
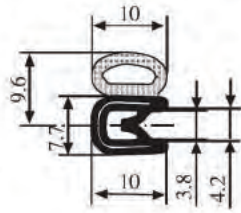
Material:	EPDM	Colour:	BLACK	Packing (mt.):	100
-----------	------	---------	-------	----------------	-----



340.09.679



Material:	EPDM	Colour:	BLACK	Packing (mt.):	100
-----------	------	---------	-------	----------------	-----

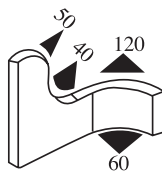
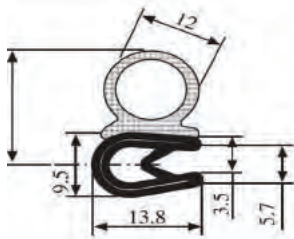


340.09.701

Grip range:
1.0-2.0 mm



Material: PVC/EPDM Colour: BLACK Packing (mt.): 2x50=100

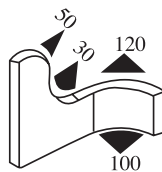
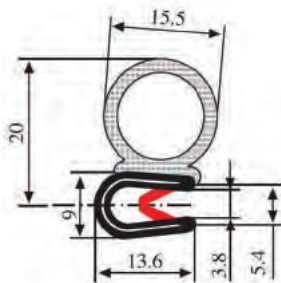


340.09.705

Grip range:
1.0-3.5 mm



Material: PVC/EPDM Color: BLACK Packing (mt.): 50

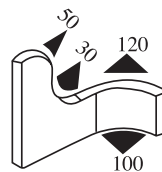
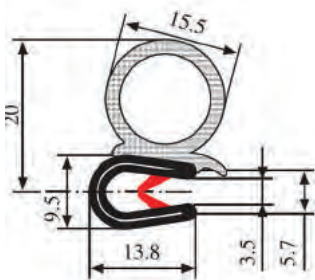


340.09.707

Grip range:
1.0-3.5 mm



Material: PVC/EPDM Color: BLACK-RED Packing (mt.): 50



340.09.712

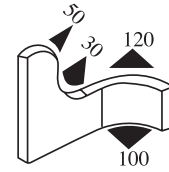
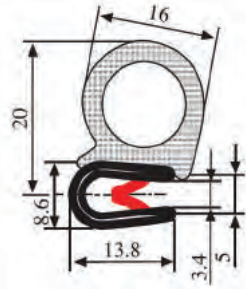
Grip range:
1.0-3.5 mm



Material: PVC/EPDM Color: BLACK-RED Packing (mt.): 50



340.09.716

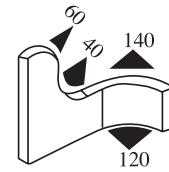
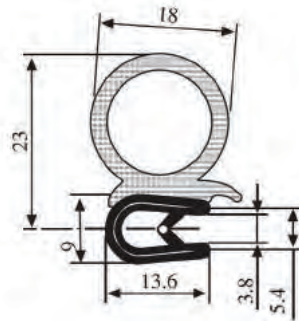


Grip range:
1.0-4.0 mm

Material: PVC/EPDM Colour: BLACK-RED Packing (mt.): 50



340.09.719

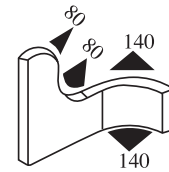
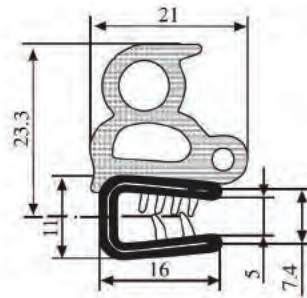


Grip range:
1.0-3.5 mm

Material: PVC/EPDM Colour: BLACK-RED Packing (mt.): 50



340.09.729

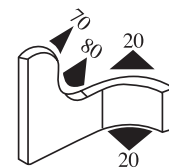
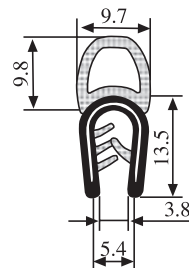


Grip range:
2.0-4.0 mm

Material: PVC/EPDM Colour: BLACK-WHITE Packing (mt.): 50

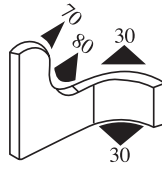
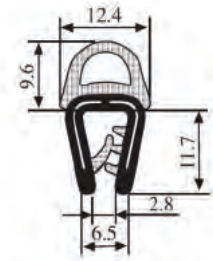


340.09.802



Grip range:
1.5-4.0 mm

Material: PVC/EPDM Colour: BLACK-YELLOW Packing (mt.): 100

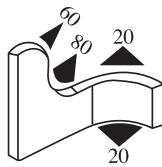
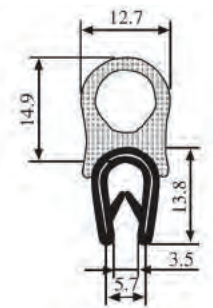


340.09.804

Grip range:
1.5-5.0 mm



Material: PVC/EPDM Colour: BLACK-YELLOW Packing (mt.): 50

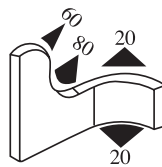
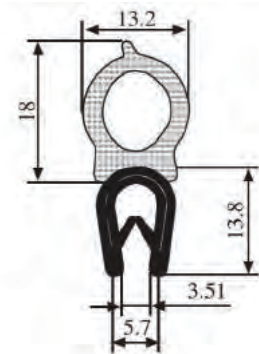


340.09.805

Grip range:
1.0-4.0 mm



Material: PVC/EPDM Colour: BLACK Packing (mt.): 50

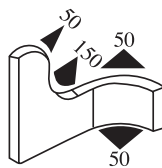
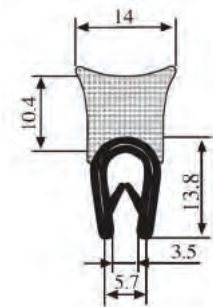


340.09.806

Grip range:
1.0-4.0 mm

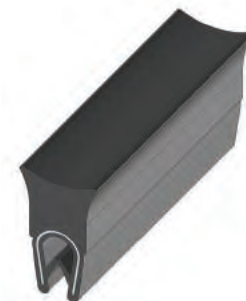


Material: PVC/EPDM Colour: BLACK Packing (mt.): 50



340.09.810

Grip range:
1.0-4.0 mm

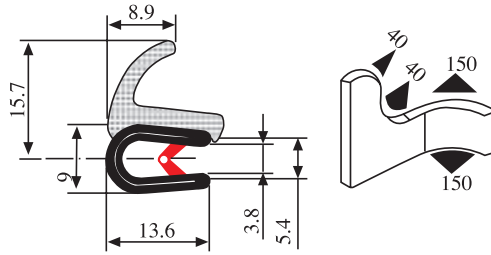


Material: PVC/EPDM Colour: BLACK Packing (mt.): 50

GASKETS



340.09.901

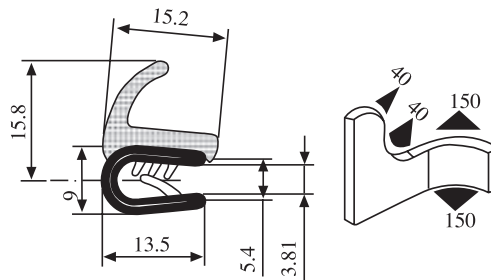


Grip range:
1.0-3.5 mm

Material:	PVC / EPDM	Colour:	BLACK - RED	Packing (mt.):	50
-----------	------------	---------	-------------	----------------	----



340.09.902

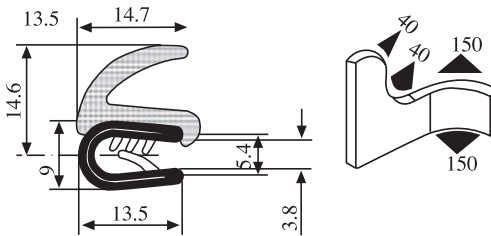


Grip range:
1.5-4.0 mm

Material:	PVC / EPDM	Colour:	BLACK	Packing (mt.):	50
-----------	------------	---------	-------	----------------	----



340.09.904



Grip range:
1.5-4.0 mm

Material:	PVC / EPDM	Colour:	BLACK	Packing (mt.):	50
-----------	------------	---------	-------	----------------	----





HANDLES



HANDLES

GROUP CODE	PRODUCT NAME
084	MILLENIUM HANDLE
085	DRAWER HANDLE
184	DRAWER HANDLE
286	COVER HANDLE
086	COVER HANDLE
186	COVER HANDLE
287	COVER HANDLE
087	COVER HANDLE
187	COVER HANDLE
387	COVER HANDLE
274	COVER PULL (SNAP-IN)
074	COVER PULL (SNAP-IN)
174	COVER PULL (SNAP-IN)



ESSENTRA

PAGE

384

385

386

387

388

389

390

391

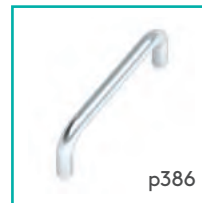
392

393

394

395

395



▶ HANDLES

MILLENIUM HANDLE

084



- Stylish handle for wooden furniture

APPLICATIONS

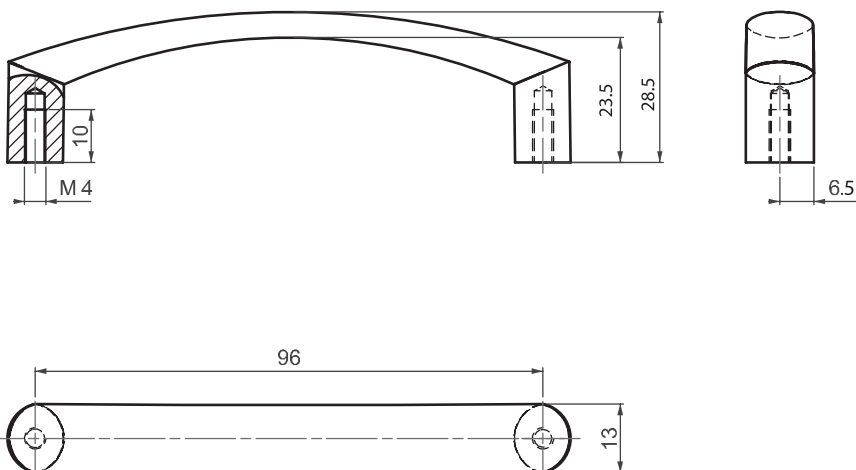
Wooden and metal furniture

MATERIAL

Zamak DIN-EN 1774-ZnAl4Cu1

FINISH

Chrome or black coated



PRODUCT CODE

084 - 1 - F

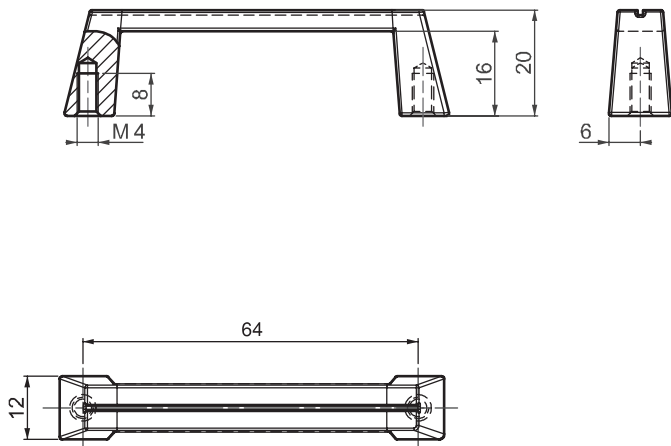
GROUP CODE MATERIAL FINISH

MATERIAL	M	FINISH	F
Zamak	1	Chrome	1
		Black coated	2



085

DRAWER HANDLE



- Stylish handle for wooden furniture and keyboard shelf in rack cabinets

APPLICATIONS

Wooden - metal furniture and rack cabinets

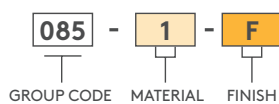
MATERIAL

Zamak DIN-EN 1774-ZnAl4Cu1

FINISH

Chrome or black coated

PRODUCT CODE



MATERIAL		M	FINISH		F
Zamak		1	Chrome		1
			Black coated		2

HANDLES

DRAWER HANDLE

184



- Stylish handle for wooden furniture and keyboard shelf in rack cabinets

APPLICATIONS

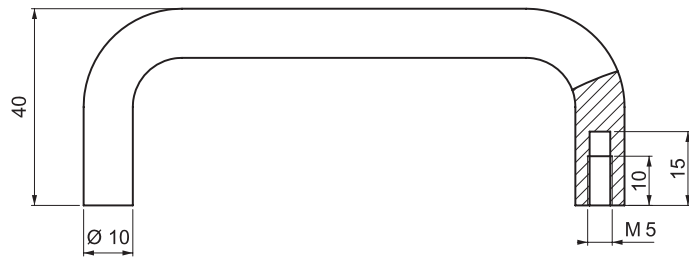
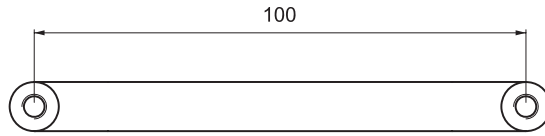
Wooden - metal furniture and rack cabinets

MATERIAL

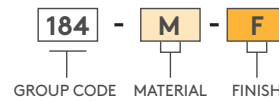
Steel, stainless steel or aluminium

FINISH

Chrome or matte anodized



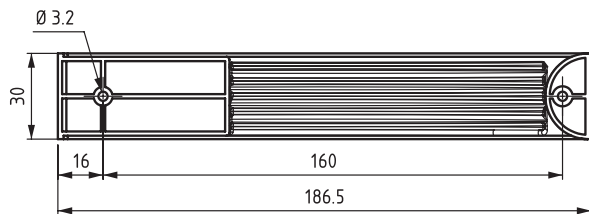
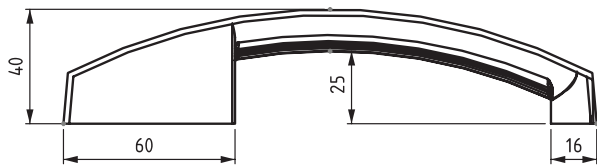
PRODUCT CODE



MATERIAL	M	FINISH	F
Steel	6	Chrome	1
Aluminium	5	Matt anodized	7
Stainless Steel	4	No finish	0

286

COVER HANDLE



- Stylish
- Internal fixing with two screws

APPLICATIONS
Machinery covers

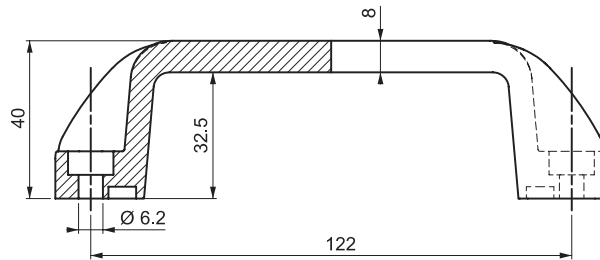
MATERIAL
Polyamide DIN-EN ISO 1043-1
PA 6 GFR 30



HANDLES

COVER HANDLE

086



- Two different fixing types

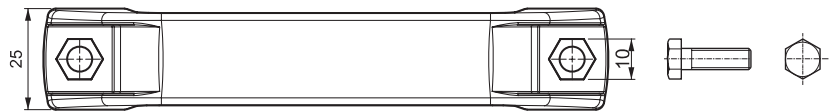
APPLICATIONS

Machinery covers

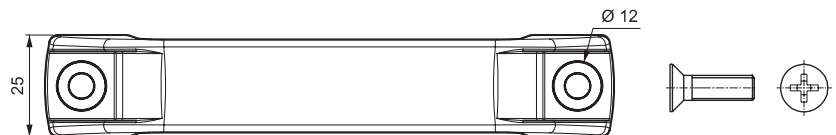
MATERIAL

Polyamide DIN-EN ISO 1043-1
PA 6 GFR 30

V : 1



V : 2



PRODUCT CODE

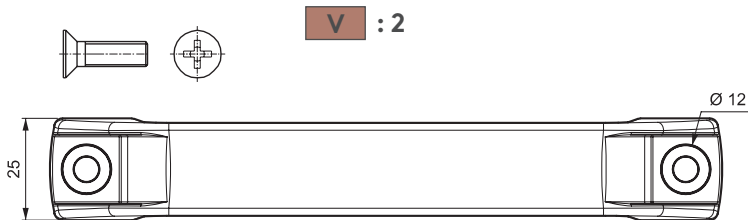
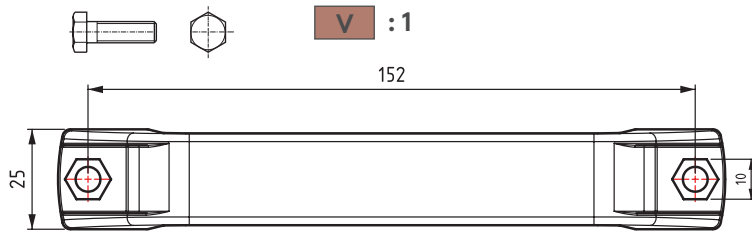
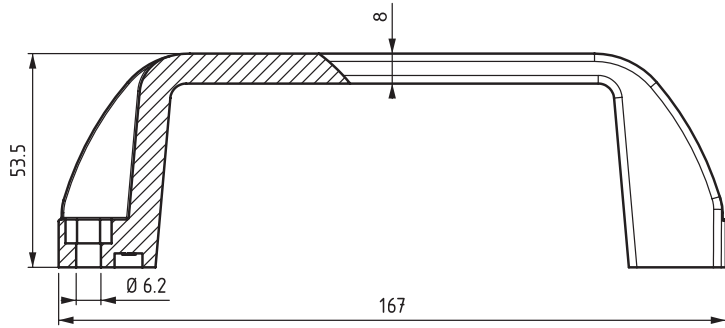
086 - V

GROUP CODE VERSION



186

COVER HANDLE



- Two different fixing types

APPLICATIONS
Machinery covers

MATERIAL
Polyamide DIN-EN ISO 1043-1
PA 6 GFR 30

PRODUCT CODE

186 - V

GROUP CODE VERSION

HANDLES

COVER HANDLE

287



- Ergonomic elliptical geometry
- Matte anodized aluminium
- For different colours and dimensions contact Essentra

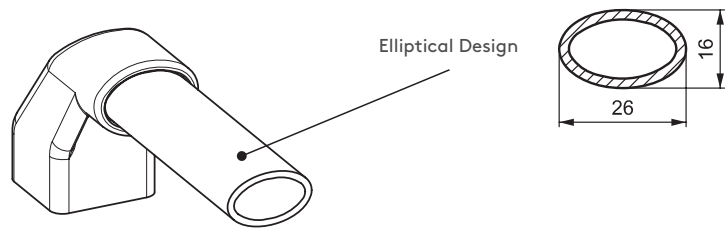
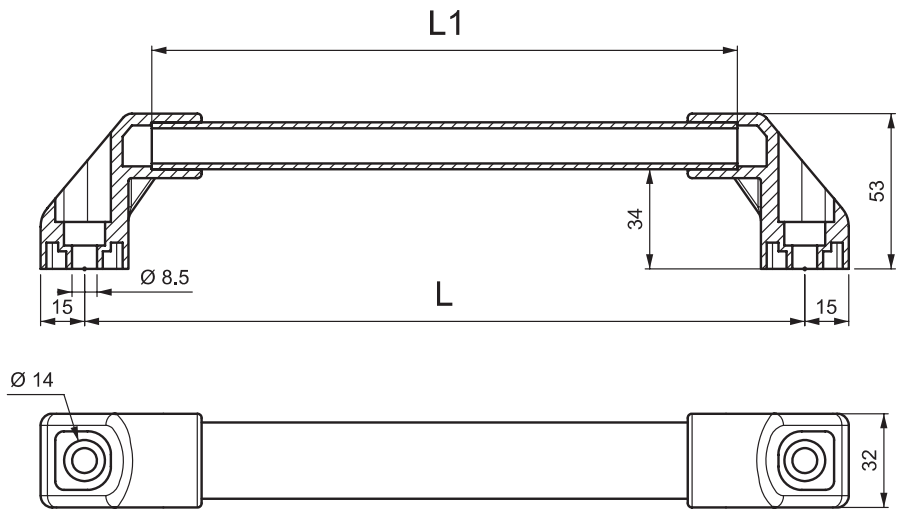
APPLICATIONS

Machinery covers

MATERIAL

FIXING PART: Polyamide DIN-EN ISO 1043-1 PA 6 GFR 30

HANDLE: Aluminium



L1 mm	L mm
154	200
254	300
354	400
454	500

PRODUCT CODE

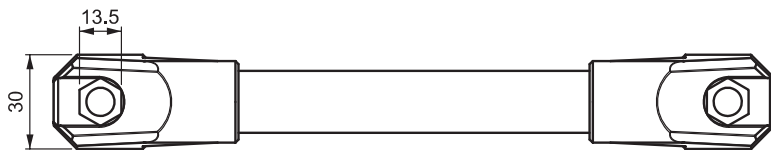
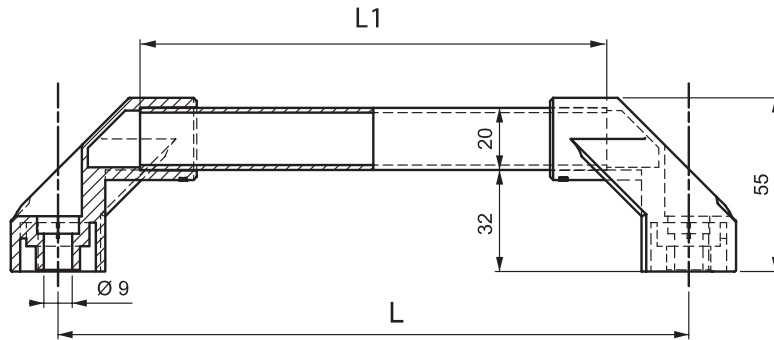
287 - L

GROUP CODE LENGTH



087

COVER HANDLE



- Matte anodized aluminium
- For different colours and dimensions contact Essentra

APPLICATIONS

Machinery covers

MATERIAL

FIXING PART: Polyamide DIN-EN ISO 1043-1 PA 6 GFR 30
HANDLE: Aluminium

L1 mm	L mm
148	200
248	300
348	400
448	500

350.02.002

SIDE PART



PRODUCT CODE

087 - L
GROUP CODE LENGTH

HANDLES

COVER HANDLE

187



- Plastic-coated steel tube
- Centre supports should be used for handle lengths of 1000 mm or more
- For different colours and dimensions contact Essentra

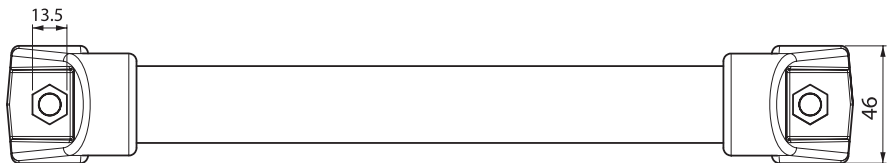
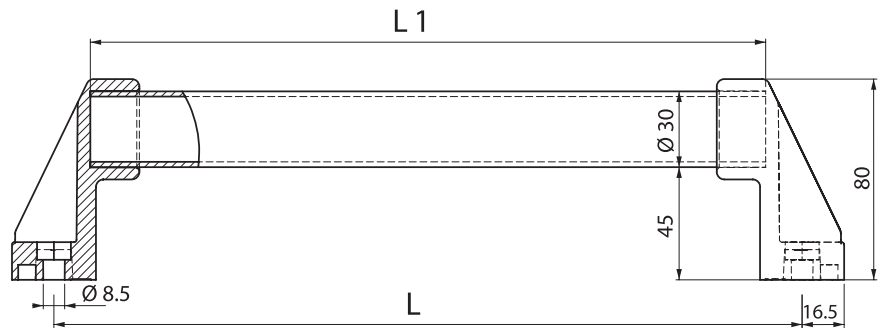
APPLICATIONS

Machinery covers

MATERIAL

FIXING PART: Polyamide DIN-EN ISO 1043-1 PA 6 GFR 30

HANDLE: Plastic coated steel



L1 mm	L mm
269	300
369	400
469	500
569	600
669	700
769	800
969	900



! Middle part should be used for lengths greater than 1000 mm

MIDDLE HOLDER

340.02.501



PRODUCT CODE

187 - L
GROUP CODE LENGTH

387

COVER HANDLE



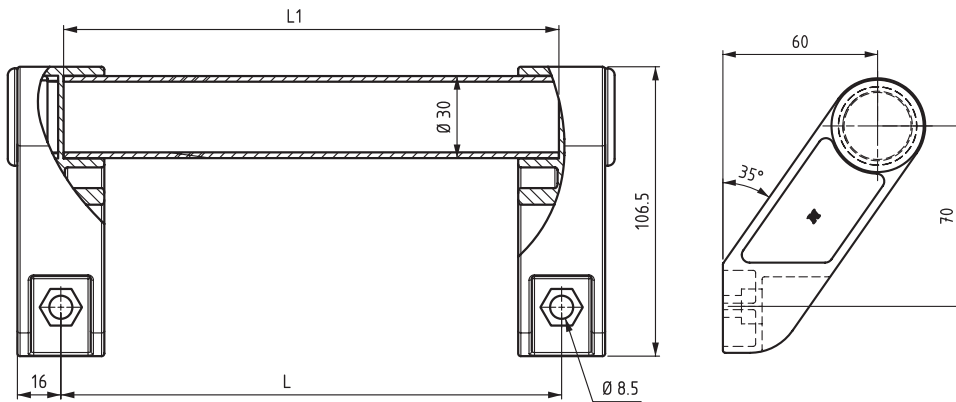
- Plastic-coated steel tube
- Centre supports should be used for handle lengths of 1000 mm or more
- For different colours and dimensions contact Essentra

APPLICATIONS

Machinery covers

MATERIAL

FIXING PART: Polyamide DIN-EN ISO 1043-1 PA 6 GFR 30
HANDLE: Plastic-coated steel



L1 mm	L mm
298	300
398	400
498	500
598	600
698	700
798	800
998	1000



! Middle part should be used for lengths greater than 1000 mm

350.02.028

MIDDLE HOLDER



PRODUCT CODE

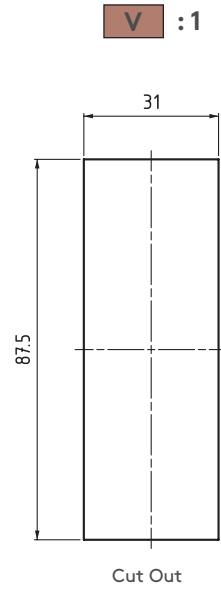
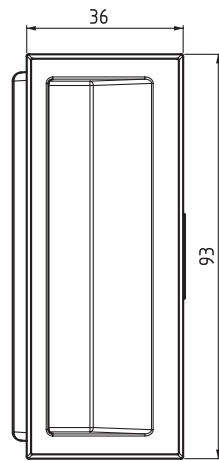
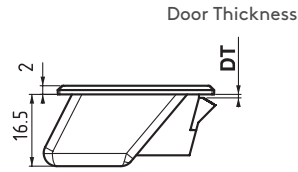
387 - L

GROUP CODE LENGTH

HANDLES

COVER PULL (SNAP-IN)

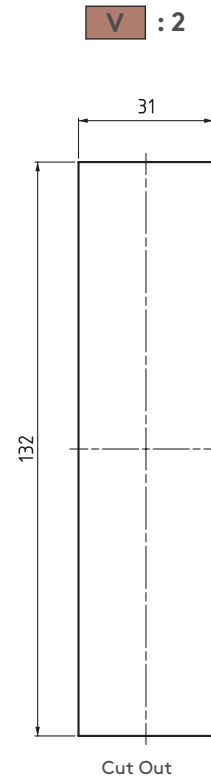
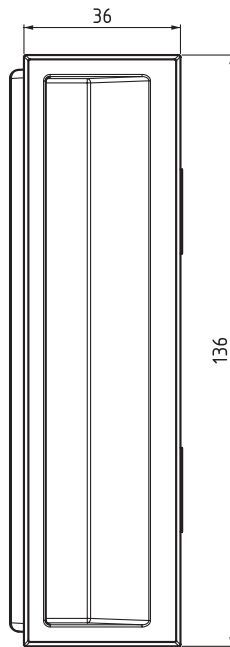
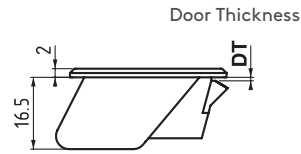
274



- Flush design
- Easy assembly by clips

APPLICATIONS
Machinery covers

MATERIAL
ABS



PRODUCT CODE

274 - V - DT

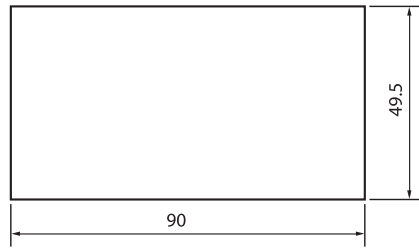
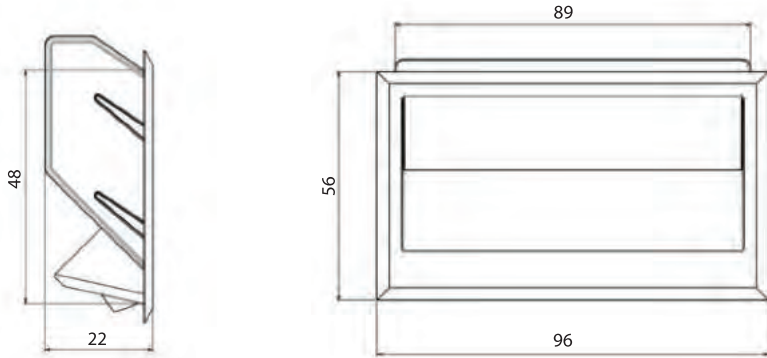
GROUP CODE VERSION DOOR THICKNESS

DOOR THICKNESS	DT
0.8 - 1.4 mm	15
1.5 - 2.2 mm	22



074

COVER PULL (SNAP-IN)



Cut Out



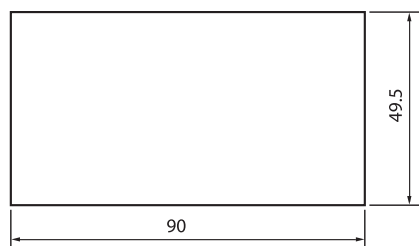
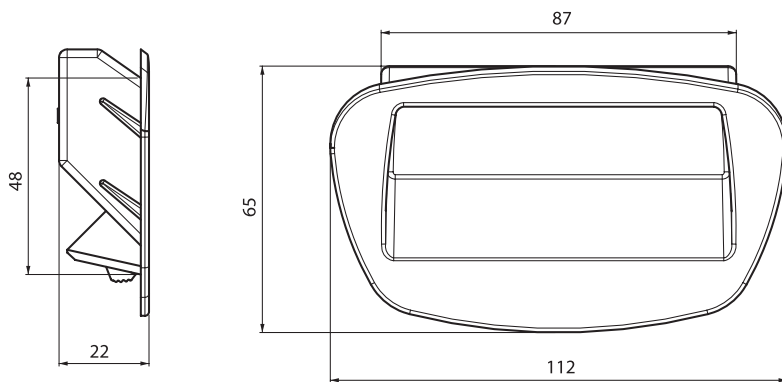
- For large door
- Easy assembly by clips

APPLICATIONS
Machinery covers

MATERIAL
ABS

174

COVER PULL (SNAP-IN)



Cut Out



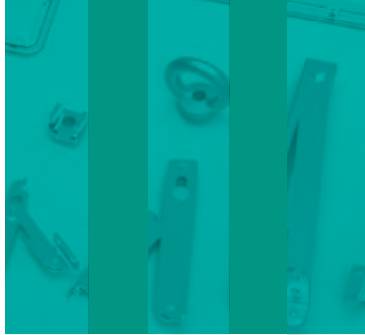
- For large doors
- Easy assembly by clips

APPLICATIONS
Machinery covers

MATERIAL
ABS



ACCESSORIES



ACCESSORIES

GROUP CODE	PRODUCT NAME
2220	CIRCULAR INSPECTION WINDOW
2150	DRAWING POCKET (A4)
2152	DRAWING POCKET (A5)
2216	COUNTER SCREEN
2215	COUNTER SCREEN
24XX	EYEBOLT
240X	CAGE NUT
340.00.135	TOGGLE LATCH
340.00.133	TOGGLE LATCH
340.00.131	TOGGLE LATCH
2702	TOGGLE LATCH
2701	TOGGLE LATCH
2700	TOGGLE LATCH
276X	MINI INDEXING PLUNGERS
2750	SPRING LOADED LATCH WITHOUT STUD
2751	SPRING LOADED LATCH WITH STUD
025	GLASS HINGE
320.02.16X	CABLE SHUNTING RINGS
340.02.430	SCREW
279	COVER STAY
079	COVER STAY
179	COVER STAY
340.00.3XX	DIAPHRAM GROMMETS
340.08.01X	RUBBER STOPPER
340.00.40X	RUBBER PLUG
340.08.001	DOOR HOLDBACK
340.20.0XX	DOOR BOTTOM BRUSHES (Screw type)
340.20.0XX	DOOR BOTTOM BRUSHES (Plug-in type)
340.10.00X	ACOUSTIC SPONGE (Formed type)
340.10.00X	ACOUSTIC SPONGE (Flat type)



ESSENTRA

PAGE

399

400

401

402

402

403

403

404

404

404

405

405

405

406

407

407

408

409

410

411

412

413

414

415

415

416

417

417

418

419





ACCESSORIES



2220

CIRCULAR INSPECTION WINDOW



RoHS



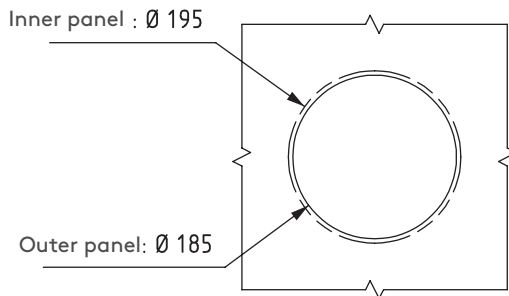
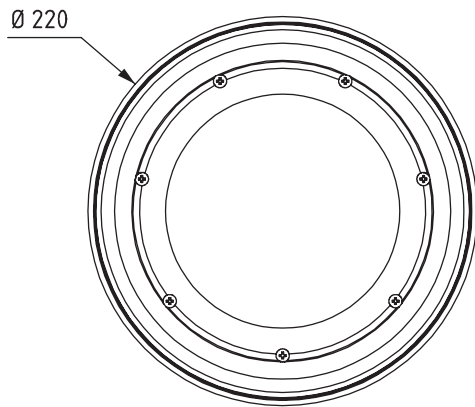
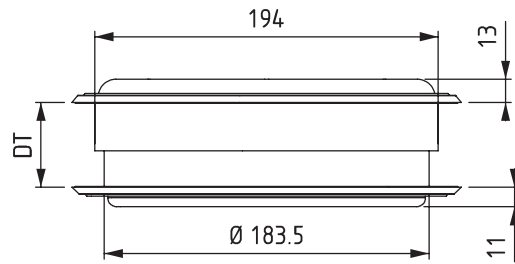
- Visual inspection of HVAC enclosures
- Adjustable for 30-60 mm isolated doors
- Mounting with 7 screws

APPLICATIONS

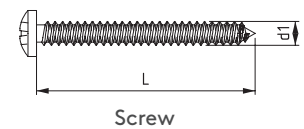
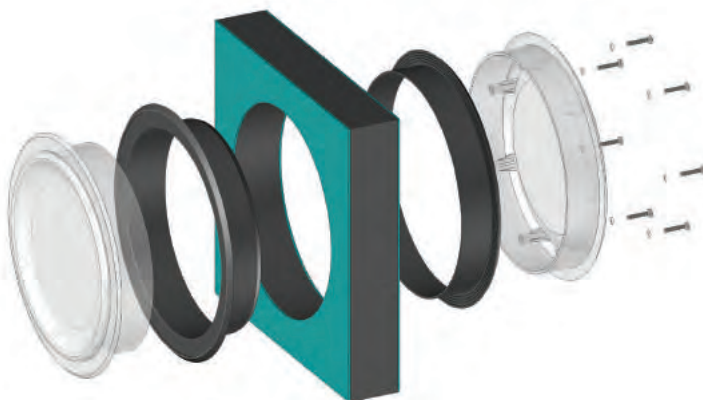
Heating and ventilation enclosures

MATERIAL

WINDOW: Polycarbon
GASKET: Termo rubber



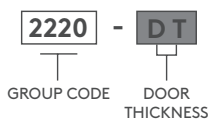
Cut out



Screw

Screw

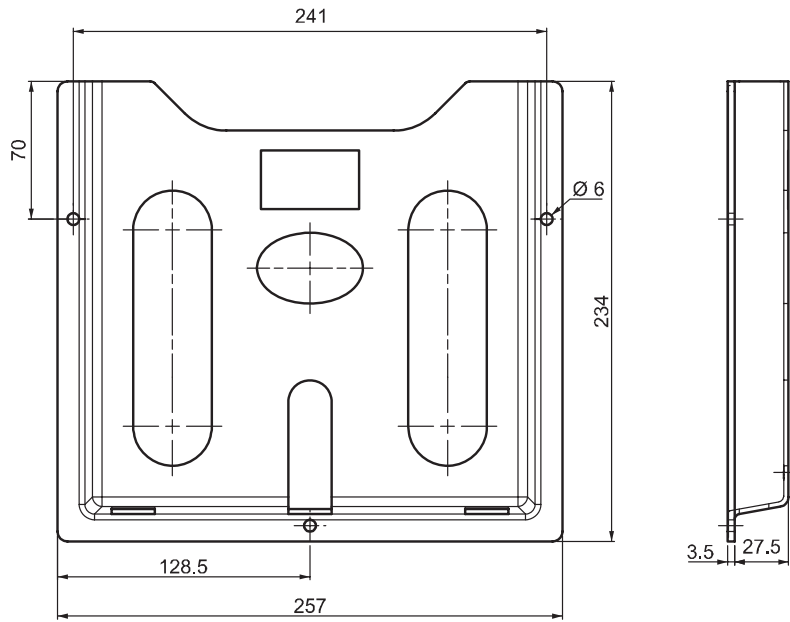
PRODUCT CODE



DT	D1	L	STOCK CODE
30	4.2	38	306.03.138
40	4.2	45	306.03.304
50	4.2	50	306.03.305
60	4.2	60	306.03.306

DRAWING POCKET (A4)

2150



- For A4 size documents. Self adhesive. For special colours or logo, please contact Essentra

APPLICATIONS

Electric panels, machinery covers

MATERIAL

Polystyrene MFI 3-4

COLOR

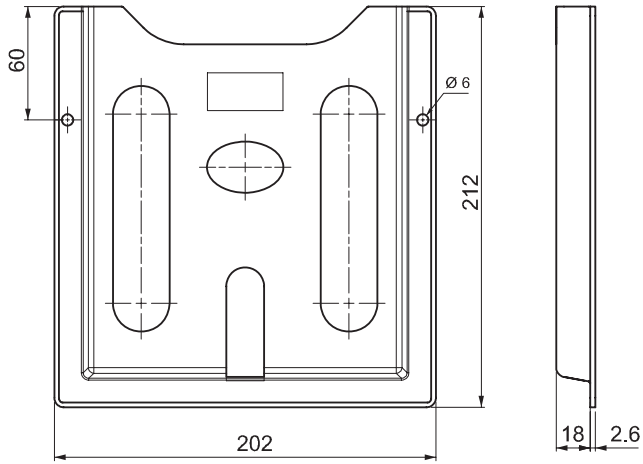
RAL 7035





2152

DRAWING POCKET (A5)



- For A5 size documents. Self adhesive. For special colours or logo, please contact Essentra

APPLICATIONS

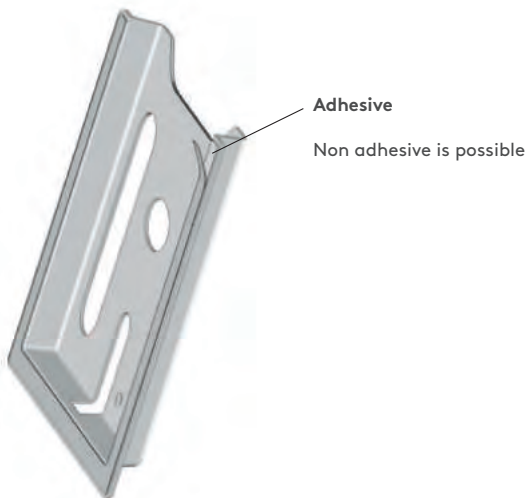
Electric panels, machinery covers

MATERIAL

Polystyrene MFI 3-4

COLOR

RAL 7035



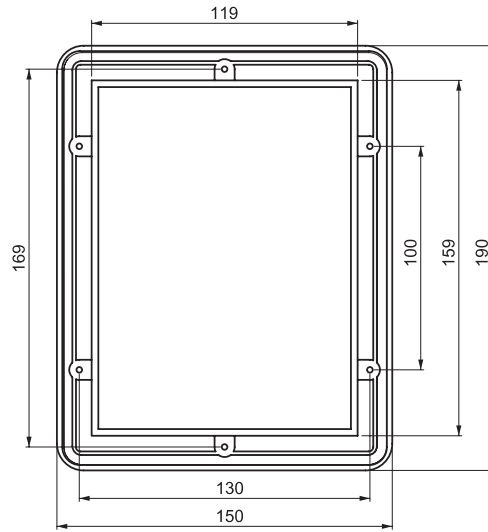
▶ ACCESSORIES

COUNTER SCREEN

2216



- Allows counters or dials to be viewed from outside enclosure.

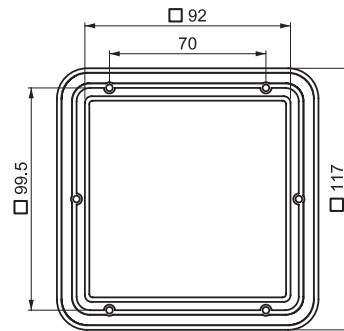


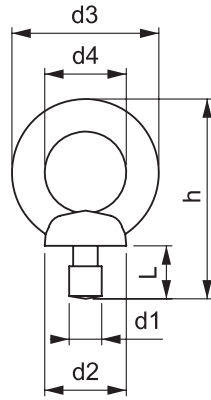
COUNTER SCREEN

2215



- Allows counters or dials to be viewed from outside enclosure.





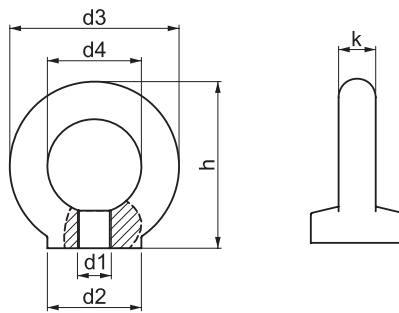
d1	Safety Load (90°)	d2 mm	d3 mm	d4 mm	h mm	L mm	Unit weight	PRODUCT CODE
M8	140	20	36	20	49.0	13.0	0.06	2451
M10	230	25	45	25	63.0	17.0	0.10	2452
M12	340	30	54	30	73.5	20.5	0.18	2453
M14	490	35	63	35	87.0	27.0	0.28	2454
M16	700	35	63	35	89.0	27.0	0.28	2455

EYEBOLT



- Enable enclosure or machine to be moved easily.

EYEBOLT

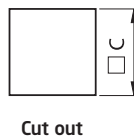
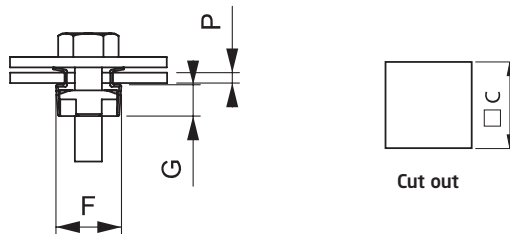


d1	Safety Load (90°)	d2 mm	d3 mm	d4 mm	h mm	k mm	Unit weight	PRODUCT CODE
M8	140	20	36	20	36	8	0.06	2461
M10	230	25	45	25	45	10	0.09	2462
M12	340	30	54	30	53	12	0.16	2463



- Enable enclosure or machine to be moved easily.

CAGE NUT



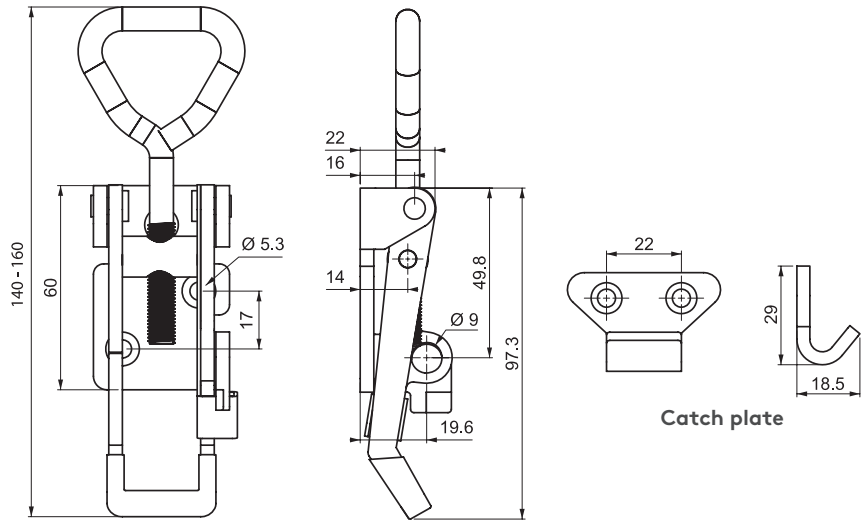
Screw	Nut	P	G	F	C	PRODUCT CODE
M5	11x11x4.5	1.7 ~ 2.5	6	12,2	6	2400
M6	11x11x4.5	25	6	12,2	9	2401
M8	14x14x5.5	3.3 ~ 4.1	7,8	16,6	12	2402

- Designed for attaching two steel plates

ACCESSORIES

TOGGLE LATCH

340.00.135

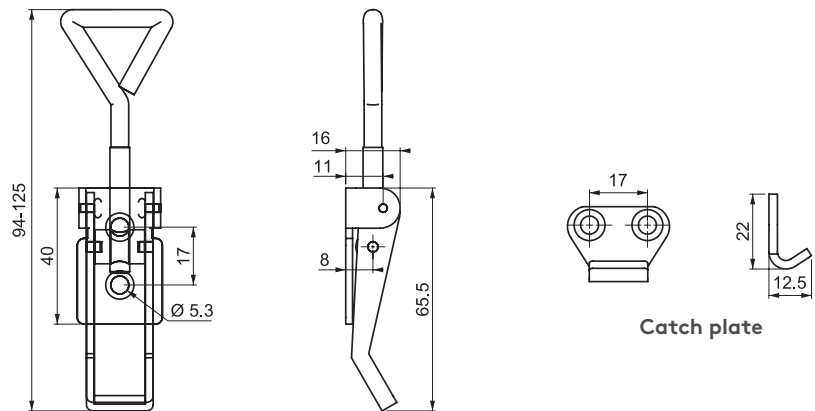


- Adjustable type draw latch.
- Padlockable version
- Used with a special catch plate

MATERIAL AND FINISH
Steel - Zinc Plated

TOGGLE LATCH

340.00.133

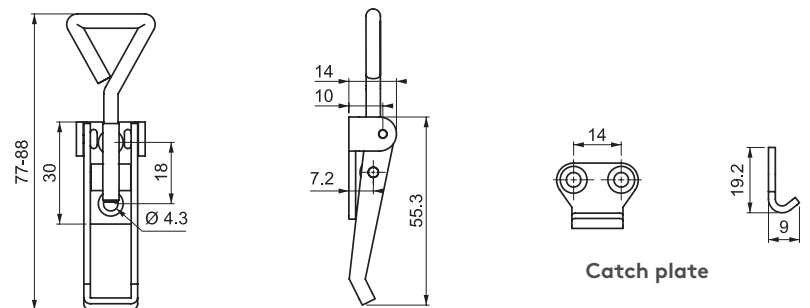


- Used for tool boxes, cabinets

MATERIAL AND FINISH
Steel - Zinc Plated

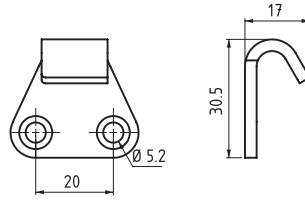
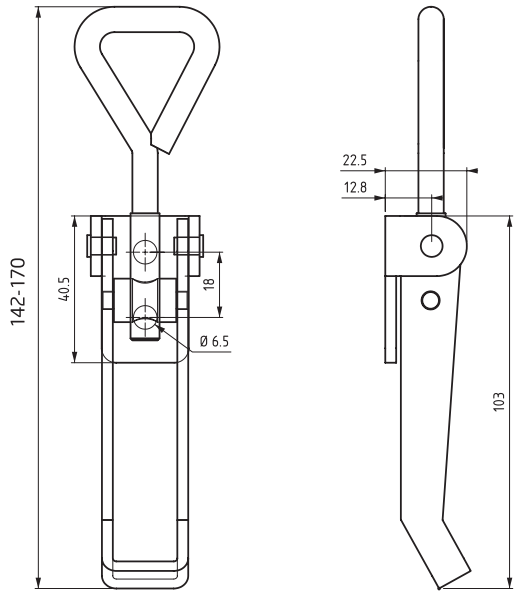
TOGGLE LATCH

340.00.131



- Used for tool boxes, cabinets

MATERIAL AND FINISH
Steel - Zinc Plated



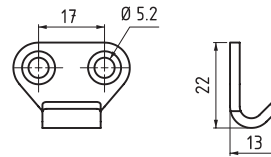
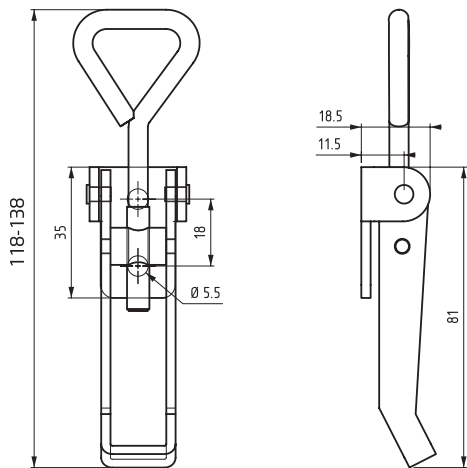
Catch plate

2702

TOGGLE LATCH



MATERIAL AND FINISH
Steel -Zinc Plated



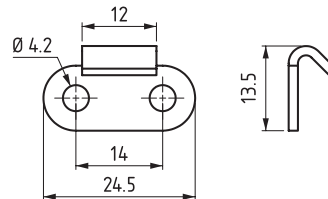
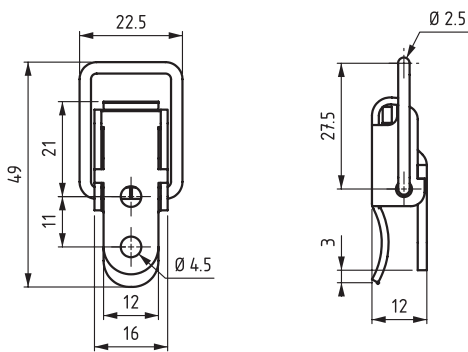
Catch plate

2701

TOGGLE LATCH



MATERIAL AND FINISH
Steel -Zinc Plated



Catch plate

2700

TOGGLE LATCH



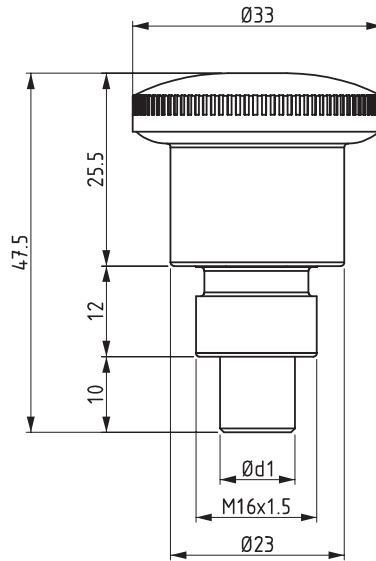
MATERIAL AND FINISH
Steel -Zinc Plated

PRODUCT CODE



GROUP CODE MATERIAL FINISH

MINI INDEXING PLUNGERS

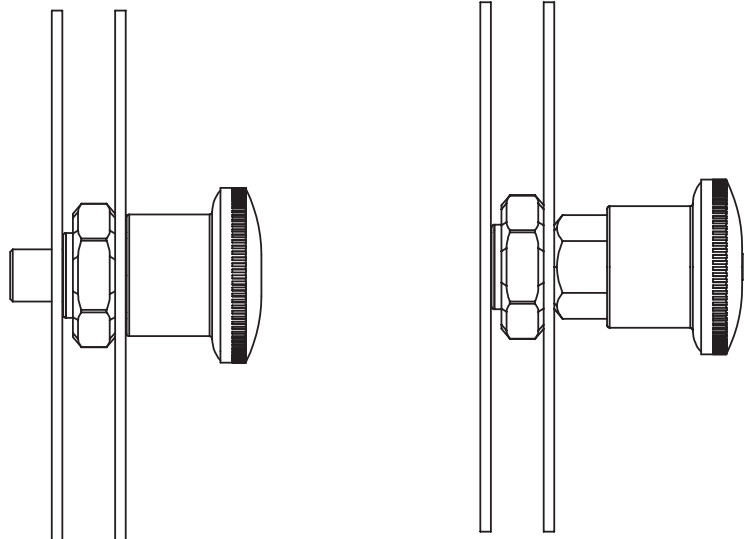


- Suitable for assembly on thin sheets.

MATERIAL

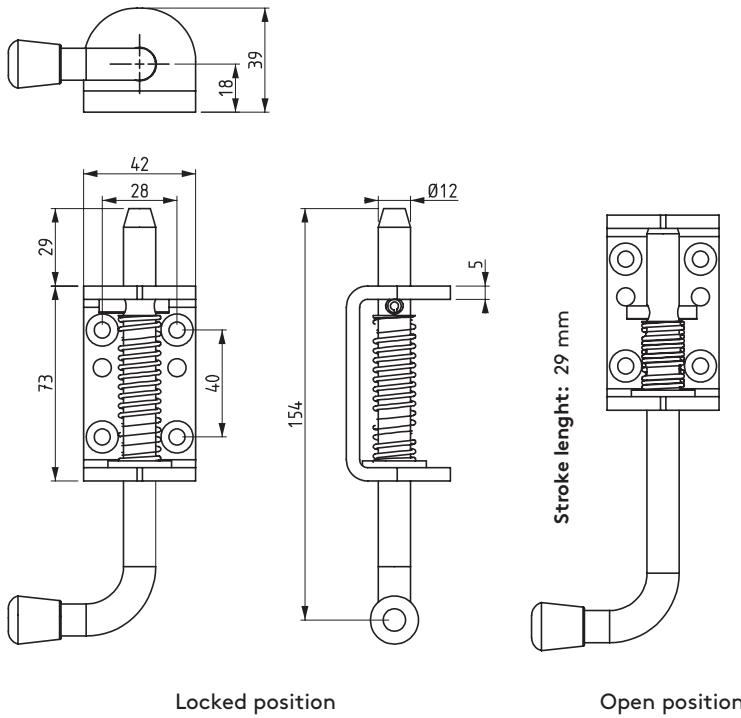
- KNOB : Polyamide DIN EN ISO 1043-1 PA6 GFR 30
- BODY : Steel
- NUT : Steel
- PIN : Stainless Steel
- Finish : Zinc Plated

Product code	Ød1	Stroke
2760	10	10
2761	8	8
2762	6	6



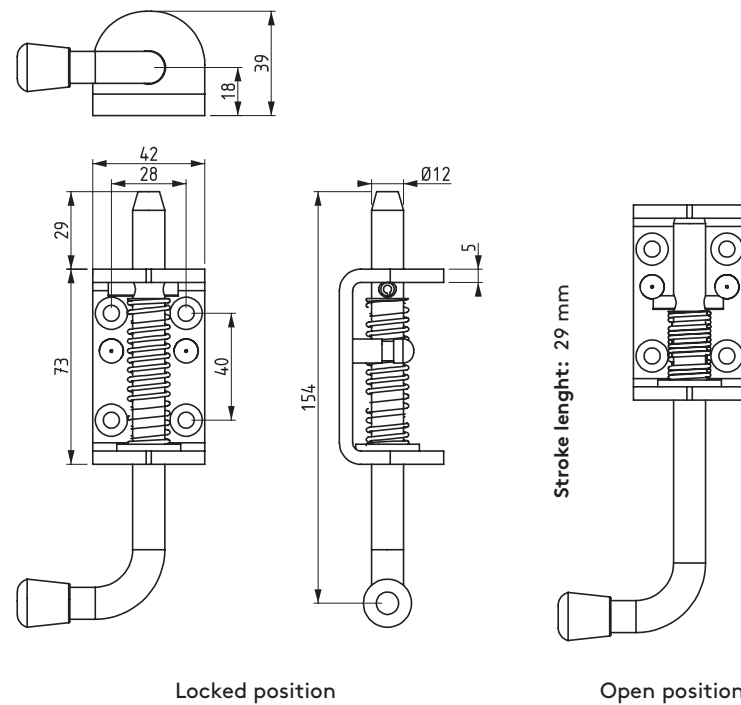
Locked position

Open position



Locked position

Open position



Locked position

Open position

2750

SPRING LOADED LATCH WITHOUT STUD



- Versatile galvanized steel latch great for wood or metal application.

APPLICATIONS

Trailer gates and ramps

MATERIAL

Body : Steel
Pin : Steel
Finish : Zinc Plated

2751

SPRING LOADED LATCH WITH STUD



- Pin system allows for the latch to be locked in the open position.
- Non-directional.

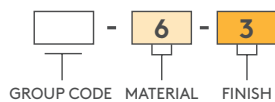
APPLICATIONS

Trailer gates and ramps

MATERIAL

Body : Steel
Pin : Steel
Finish : Zinc Plated

PRODUCT CODE



GROUP CODE MATERIAL FINISH

GLASS HINGE

025

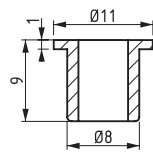
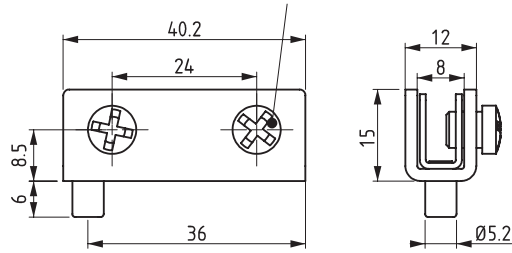


- Suitable for glass thickness max. 6 mm
- The glass is safe from damage between the plastic plates and the steel screw

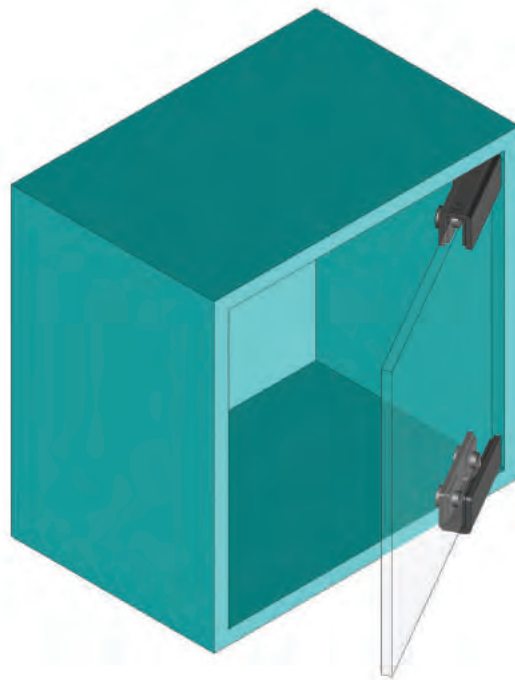
APPLICATIONS
Glass doors

MATERIAL
Body : Steel
Screw : Steel
Busing : Delrin

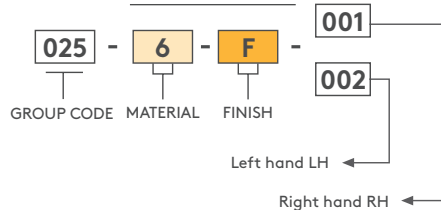
M6X6 Screw



Busing

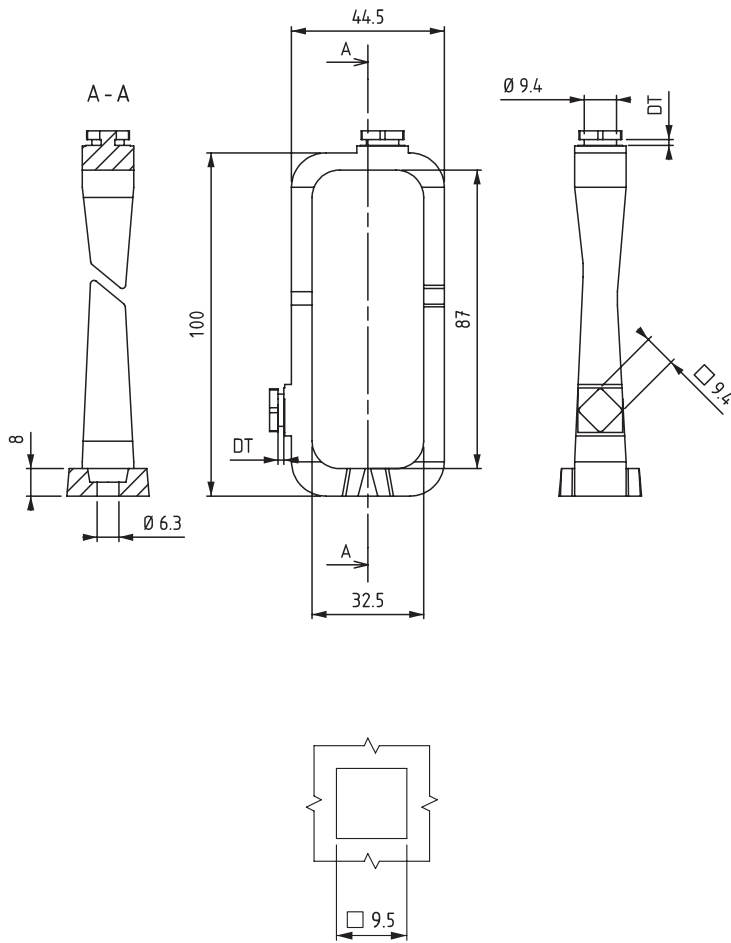


PRODUCT CODE



FINISH	F
Nickel	4
Black coated	2

CABLE SHUNTING RING



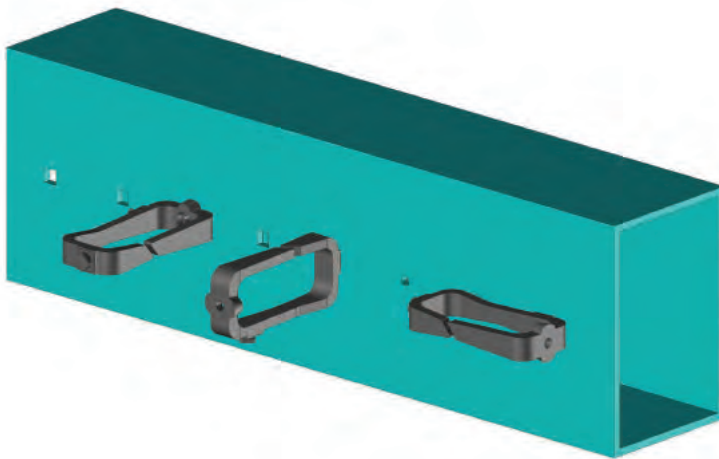
- Quick fixing in a square hole by turning 45 degrees
- Mounting by M6 Screw as an option
- Install horizontally or vertically

APPLICATIONS

Cable management inside the enclosures

MATERIAL

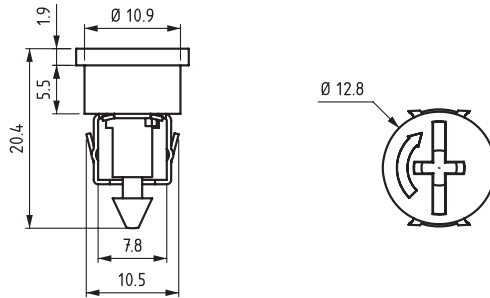
PA 6 Black



DT (DOOR THICKNESS)	PRODUCT CODE
1.3 - 1.5 mm thickness panel	320.02.164
1.6 - 2.0 mm thickness panel	320.02.165

SCREW

340.02.430



- Provides easy fixing with quarter turn

APPLICATIONS

Electric panels

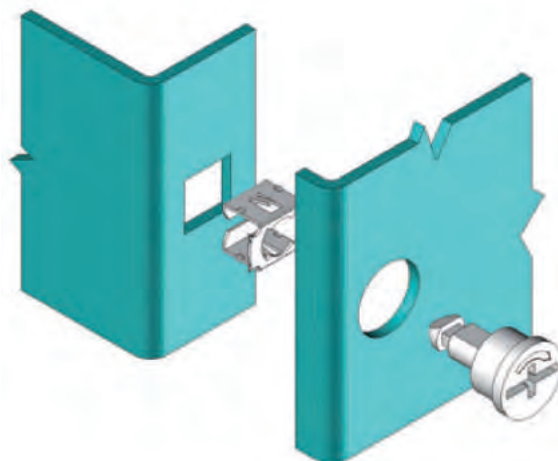
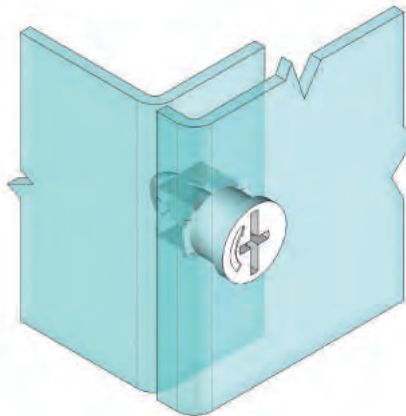
MATERIAL

SCREW: Zamak DIN-EN
1774-ZnAl4Cu11

CATCH PLATE : Steel

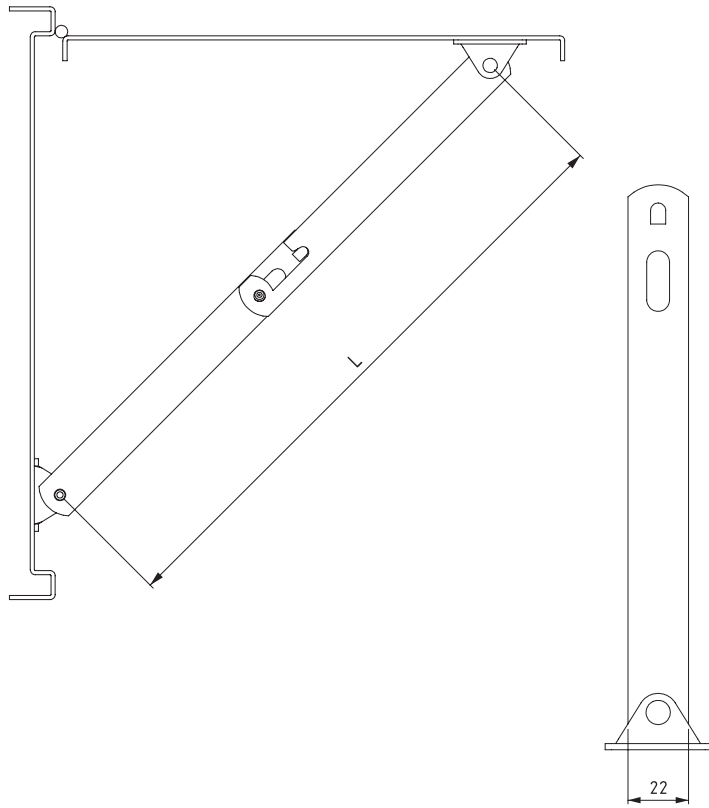
FINISH

Zinc plated



279

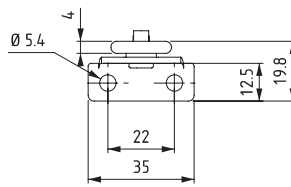
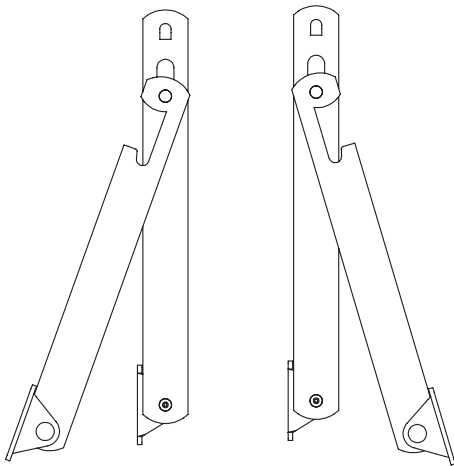
COVER STAY



- Stainless steel version: page 479
- Suitable for heavy-duty applications
- Manufactured using 4 mm thick steel

LEFT

RIGHT



Lmm
292
202
135

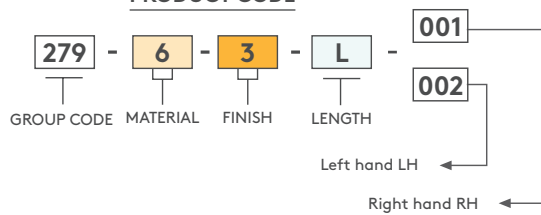
MATERIAL

Steel

FINISH

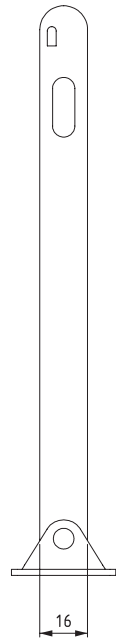
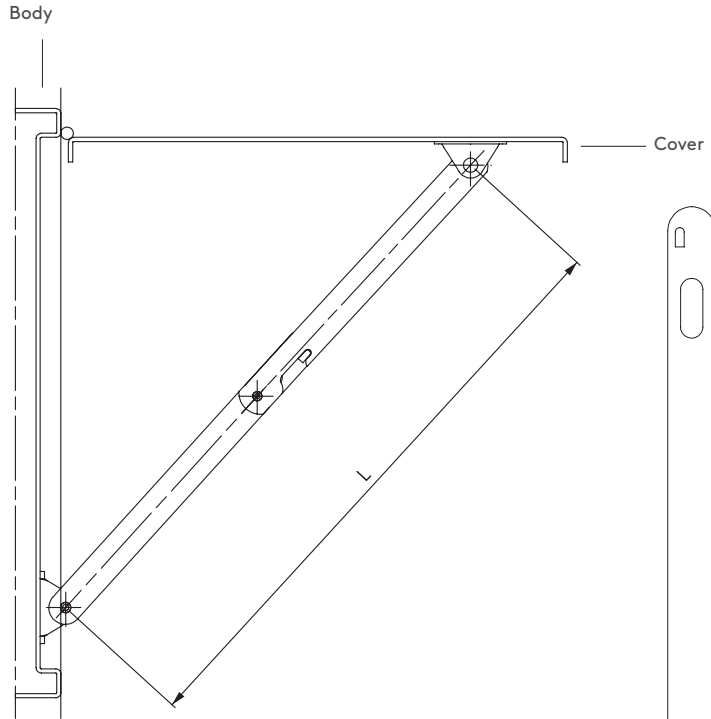
Zinc plated

PRODUCT CODE

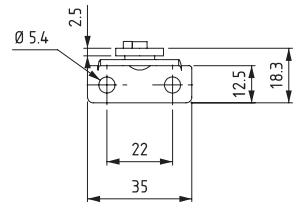
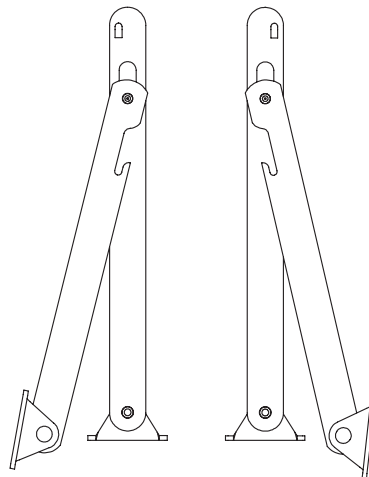


COVER STAY

079



LEFT RIGHT



Lmm
292
202
135

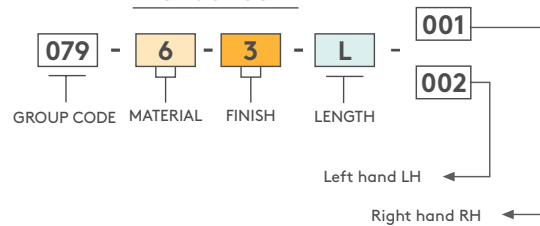
APPLICATIONS
Electric panels, machinery covers

MATERIAL
Steel

FINISH
Zinc plated

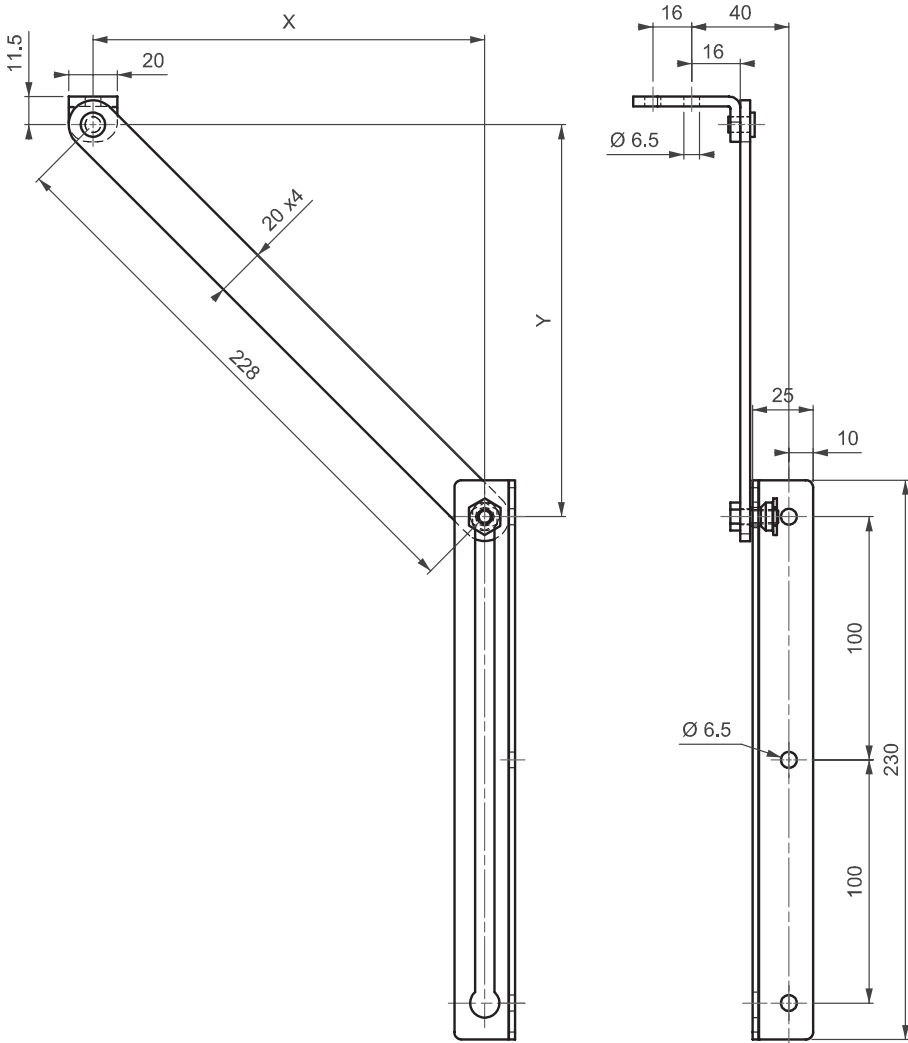
• Stainless steel version: page 480

PRODUCT CODE



179

COVER STAY



Installation dimensions

OPENING ANGLE	DIMENSIONS		MINIMAL DOOR WIDTH
	X	Y	
140°	140	180	403
120°	120	166	389
110°	110	150	373
100°	100	146	369

For other configurations:
y= X+ min.40



- Stainless steel version: page 481
- Cover Stay with automatic lock to keep the door open
- LH and RH application is possible

APPLICATIONS

Electric panels, machinery covers

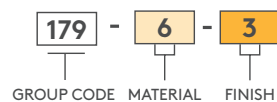
MATERIAL

Steel

FINISH

Zinc plated

PRODUCT CODE



DIAPHRAGM GROMMETS



- For use as a blanking grommet prior to installation of cables
- The membrane is drilled while using as a wire protector
- Produced from NBR rubber
- Suitable for different wire diameters

APPLICATIONS

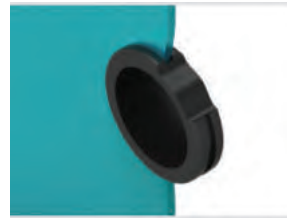
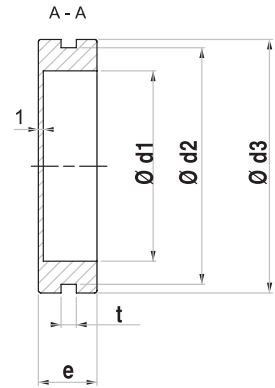
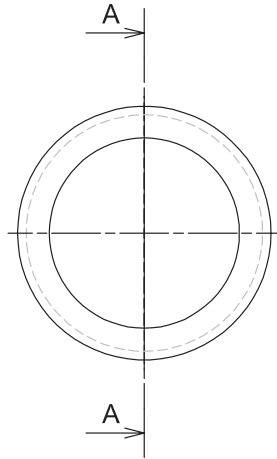
Electric panels

MATERIAL

NR Rubber, or TP

COLOR

Black



Ø D1 MM	Ø D2 MM	Ø D3 MM	T MM	E MM	PRODUCT CODE
29	36	43	3.5	11.5	340.00.370
39	48.5	52	3.2	12	340.00.371
48.5	57	63.5	3.5	14	340.00.372

DIAPHRAGM GROMMETS



- Used for protecting wires and cables passing through the panel holes
- Design provides easy fixing of grommet

APPLICATIONS

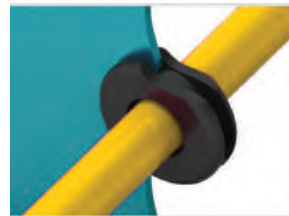
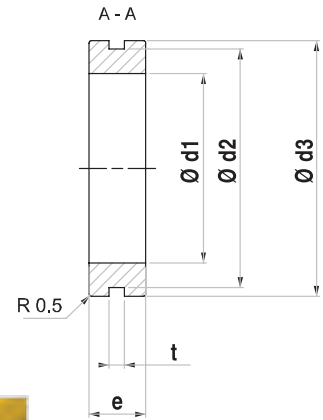
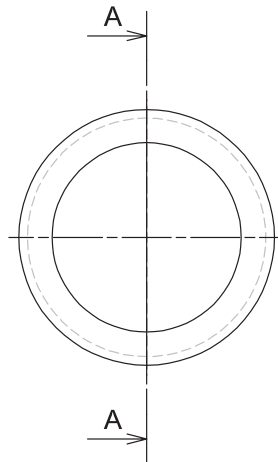
Electric panels

MATERIAL

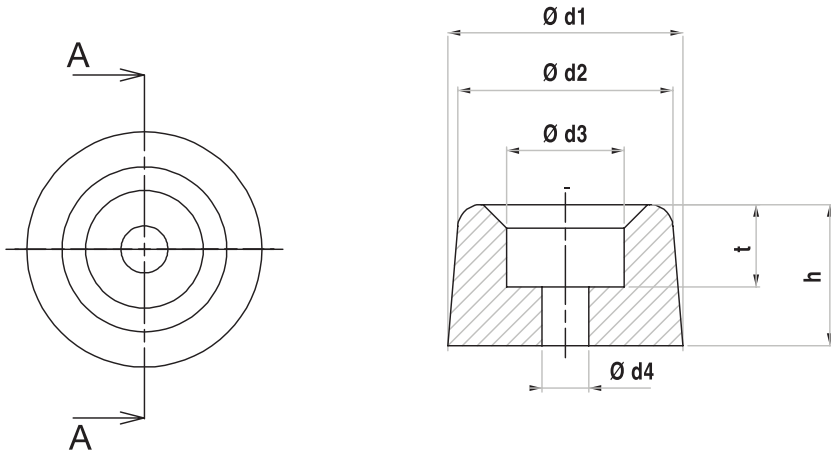
NR Rubber, or TP

COLOR

Black



Ø D1 MM	Ø D2 MM	Ø D3 MM	T MM	E MM	PRODUCT CODE
13.5	19.5	27	3.2	8	340.00.380
20	25	30	3.5	11.5	340.00.381
23.5	29	34	3.5	11.5	340.00.382
38.5	48.5	52	3.2	11.5	340.00.383



Ø D1 MM	Ø D2 MM	Ø D3 MM	Ø D4	T MM	E MM	PRODUCT CODE
20	18	10	4	7	12	340.08.010
20	19	10	4	8	22.5	340.08.011
30	25	14	4	20	30	340.08.012
40	38	13	6	12	32	340.08.013

RUBBER STOPPER



- Prevents damage to doors
- Design provides easy fixing of grommet

APPLICATIONS

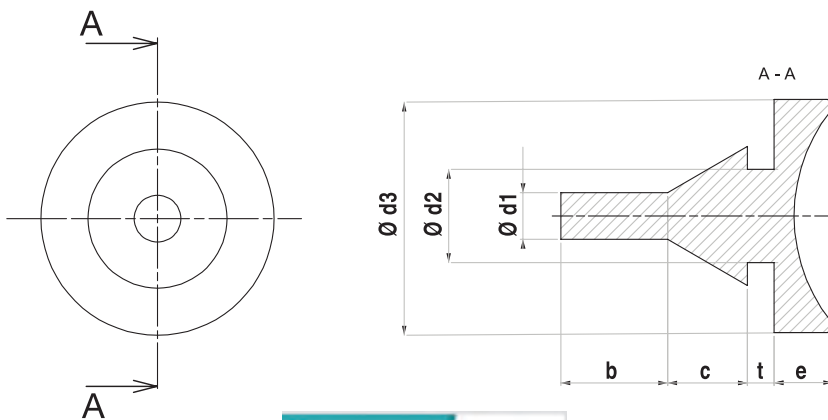
Electric panels generators, compressor, machinery covers

MATERIAL

NR Rubber, or TP

COLOR

Black



Ø D1 MM	Ø D2 MM	Ø D3 MM	T MM	B MM	C MM	E MM	PRODUCT CODE
2.5	4	14	2.5	13.5	3.5	8	340.00.400
4	7	17.5	1.5	8.5	6	5	340.00.401
4	7	18	2	8.5	6	6	340.00.402

RUBBER PLUG



- For use as a blanking grommet prior to installation of cables
- Suitable for different sheet thickness and diameters
- Design provides easy fixing

APPLICATIONS

Electric panels

MATERIAL

NR Rubber, or TP

COLOR

Black

DOOR HOLDBACK

340.08.001



- Provides good shock absorbing properties while the door contacts with frame of the cabinet
- Keeps the door at open position and can be used instead of cover stays
- Suitable for outdoor cabinets with high corrosion resistance

APPLICATIONS

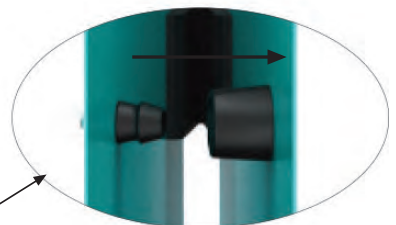
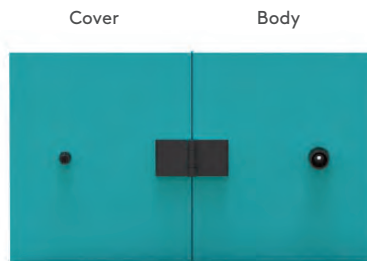
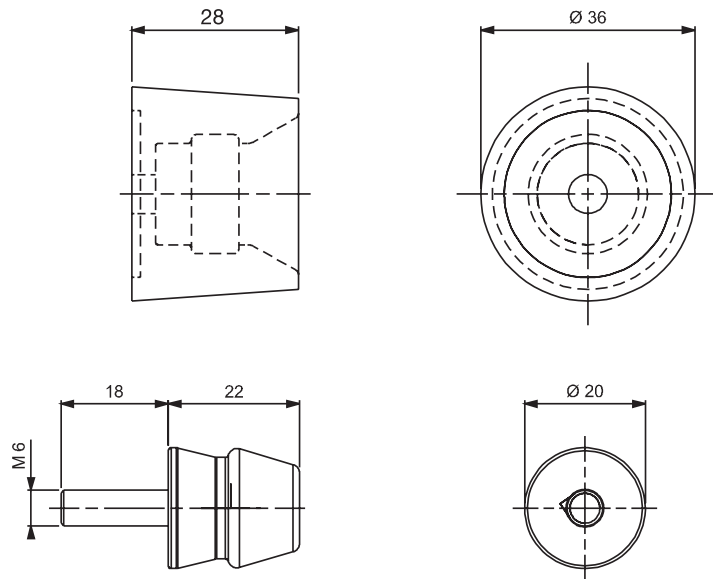
Generators, compressors, machinery covers.

MATERIAL

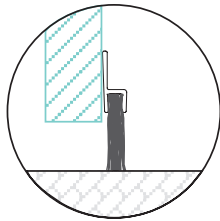
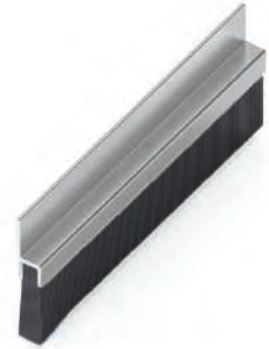
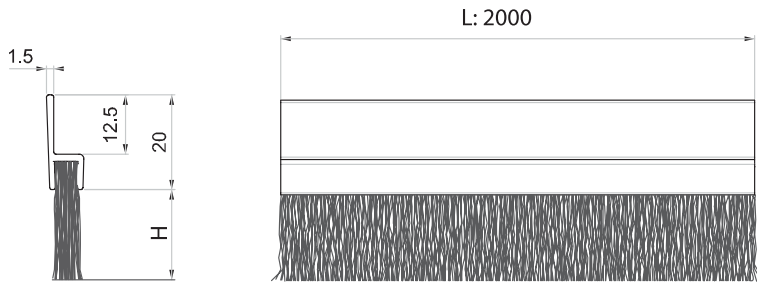
NBR Rubber

COLOR

Black



**DOOR BOTTOM BRUSHES
(Screw type)**



H MM	PRODUCT CODE
40	340.20.005
50	340.20.006
60	340.20.007
70	340.20.008
80	340.20.009
90	340.20.010
100	340.20.011

- Can be fixed with screw
- Fixing plate is made of Aluminium
- Do not allow dust to go through the cabinets
- Please contact Essentra for different sizes

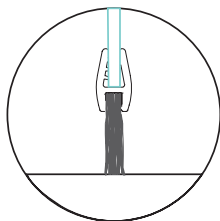
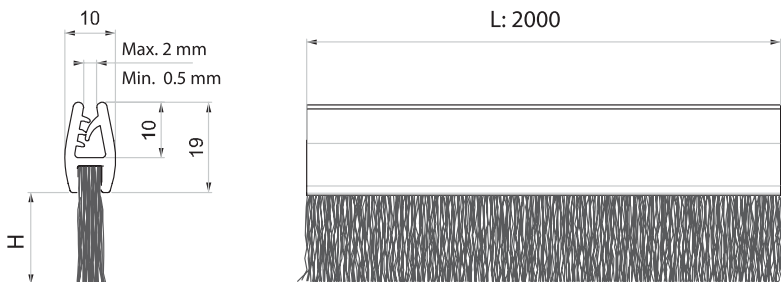
APPLICATIONS

Electric panels , rack cabinets

MATERIAL

BODY : Aluminium

**DOOR BOTTOM BRUSHES
(plug-in type)**



H MM	PRODUCT CODE
40	340.20.025
50	340.20.026
60	340.20.027
70	340.20.028
80	340.20.029
90	340.20.030
100	340.20.031

- Can be fixed by plugging in to the door
- Do not allow dust to go through the cabinets
- Please contact Essentra for different sizes

APPLICATIONS

Electric panels , rack cabinets

MATERIAL

BODY : Plastic

▶ ACCESSORIES

ACOUSTIC SPONGE (FORMED TYPE)



- With or without Adhesive band at back side is available
- Can be supplied as plate or Roll type.
- Provides sound and heat isolation
- Flame retardant properties
- Can be used† between -30 , +130 °C
- Please contact Essentra for different sizes

APPLICATIONS

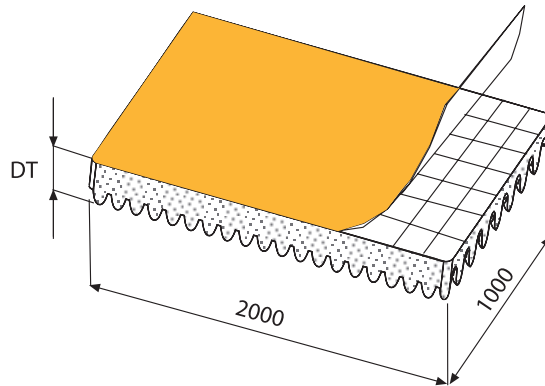
Generators, compressors, HVAC

MATERIAL

Polyurethane

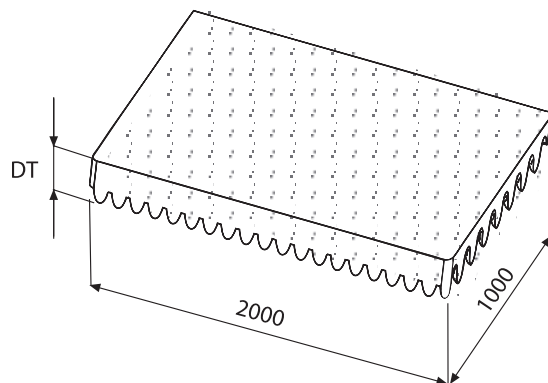
COLOR

Black



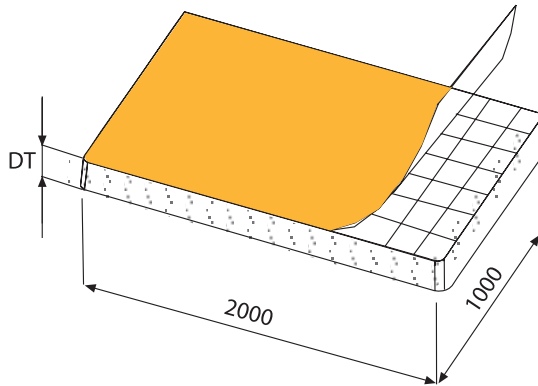
Self - adhesive

DT MM	PRODUCT CODE
30/15	340.10.006
40/20	340.10.007
50/25	340.10.008



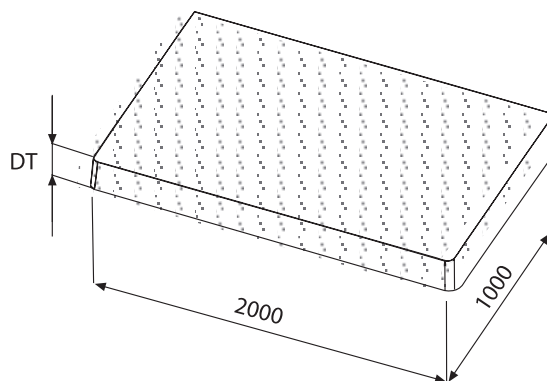
Non - adhesive

DT MM	PRODUCT CODE
30/15	340.10.026
40/20	340.10.027
50/25	340.10.028



Self - adhesive

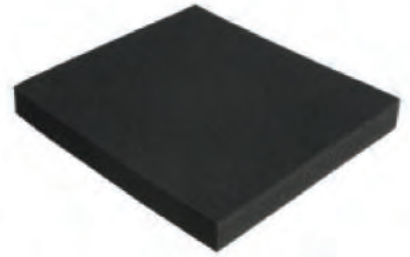
DT MM	PRODUCT CODE
30	340.10.046
40	340.10.047
50	340.10.048



Non - adhesive

DT MM	PRODUCT CODE
30	340.10.066
40	340.10.067
50	340.10.068

ACOUSTIC SPONGE
(FLAT TYPE)



- With or without Adhesive band at back side is available
- Can be supplied as plate or Roll type.
- Provides sound and heat isolation
- Flame retardant properties
- Can be used between -30 , +130 °C
- Please contact Essentra for different sizes

APPLICATIONS

Generators, compressors, HVAC

MATERIAL

Polyurethane

COLOR

Black

STAINLESS STEEL PRODUCTS

STAINLESS STEEL PRODUCTS



GROUP CODE	PRODUCT NAME
401	SWINGHANDLE
501	SWINGHANDLE
502	SWING HANDLE – GEAR BOX
402	SWING HANDLE – GEAR BOX
103	THREE-POINT LOCK – T HANDLE
103	THREE-POINT LOCK – L HANDLE
	ROUND - FLAT RODS AND ACCESSORIES
016	PUSH-TO-CLOSE LOCK
416	PUSH-TO-CLOSE LOCK
315	T HANDLE HEAVY-DUTY LOCK
115	T HANDLE HEAVY-DUTY LOCK
060	QUARTER TURN WITH SPRING
066	MINI-QUARTER TURN WITH SPRING
064	QUARTER TURN WITH SPRING
040	COMPRESSION LOCK
460	ANTI CONTAMINATION LOCK
045	COMPRESSION - SPRING LATCH
110	QUARTER TURN – T HANDLE
111	QUARTER TURN – L HANDLE
065	QUARTER TURN – WING KNOB
265	PADLOCKABLE WING KNOB
860	QUARTER TURN LOCK
042	SCREW LOCK
276	SAFETY LATCH
295	CONCEALED HINGE
395	CONCEALED HINGE
695	CONCEALED HINGE
795	CONCEALED HINGE
289	CONCEALED HINGE
095	CONCEALED HINGE
995	CONCEALED HINGE
097	CORNER HINGE
3599	LIFT-OFF HINGE
600	LEAF HINGE
3099	LIFT-OFF HINGE
299	LEAF HINGE
099	LEAF HINGE
399	LEAF HINGE
599	LEAF HINGE
799	LEAF HINGE
1599	LEAF HINGE
899	LEAF HINGE
999	LEAF HINGE
2999	LEAF HINGE
2890	CONCEALED HINGE
090	SIDE HINGE (10 MM)
092	SIDE HINGE (12 MM)
192	SIDE HINGE (12 MM)
193	SIDE HINGE (16 MM)
340.00.132	TOGGLE LATCH
340.00.134	TOGGLE LATCH
279	COVER STAY
079	COVER STAY
179	COVER STAY



ESSENTRA

PAGE

422
423
424 - 425
426 - 427
428
429
430 - 431
432
433
434
435
436
436
437
438 - 441
442
443
444
445
446
447
448
449
449
450 - 451
452 - 453
454 - 455
456
457
458
459
460
461
462
463
464
464, 466
465, 467
468
469
470 - 471
472
473
474
475
476
476
477
477
478
478
479
480
481



STAINLESS STEEL PRODUCTS

SWINGHANDLE

401

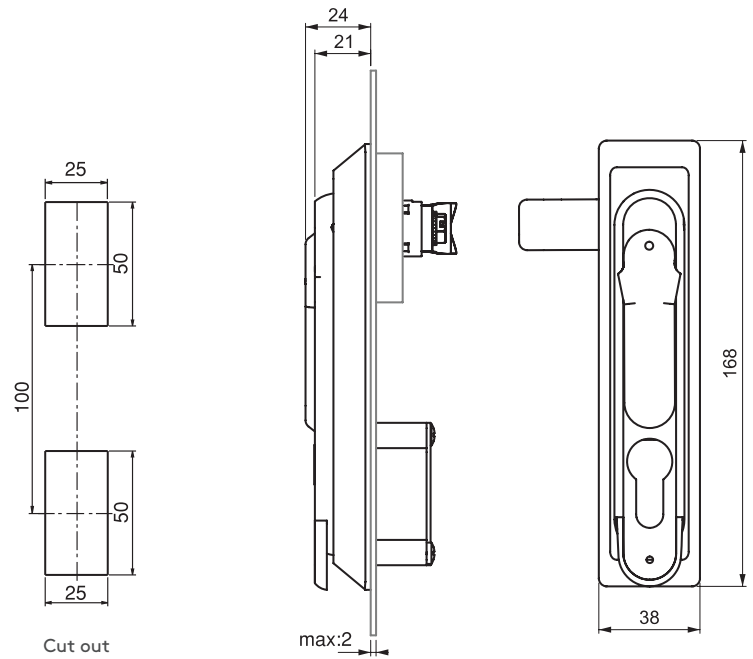
IP 65



LH/RH



RoHS



APPLICATIONS

Electric panels, outdoor cabinets

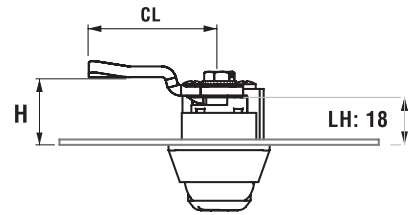
MATERIAL

BODY: Stainless Steel (AISI 316)

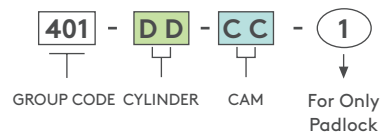
HANDLE: Stainless Steel (AISI 316)

CAM: Stainless Steel

GASKET: Polyurethane



PRODUCT CODE



BRASS CYLINDER		DD
	No cylinder	00
	Keyed alike	11

For cams please check page: 148

For rods please check page: 150 or 430



501

SWINGHANDLE

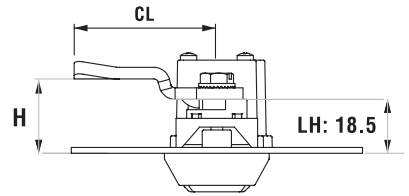
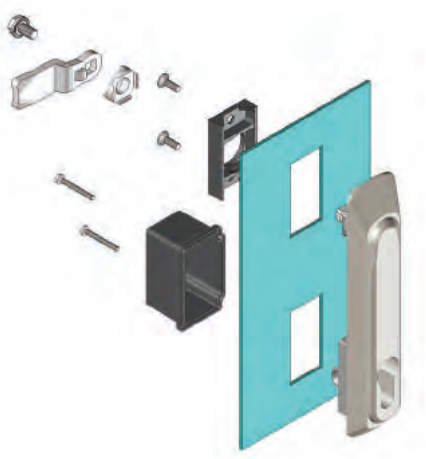
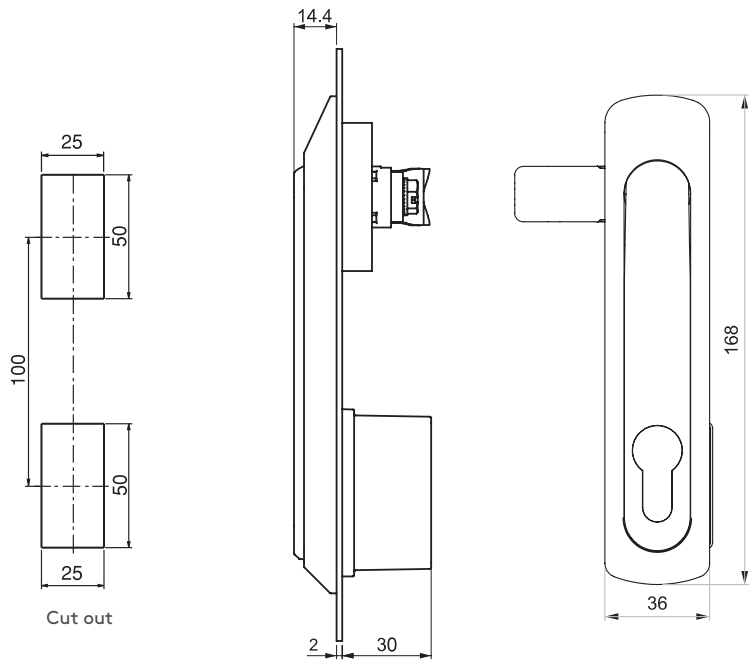
IP 65



LH/RH



RoHS

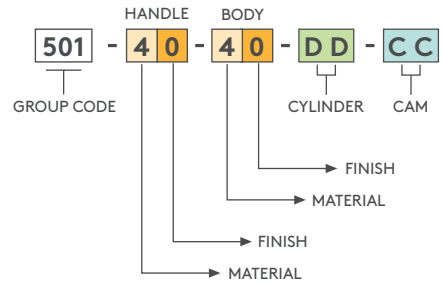



APPLICATIONS

Electric panels, outdoor cabinets


MATERIAL


- BODY: Stainless Steel (AISI 316)
- HANDLE: Stainless Steel (AISI 316)
- CAM: Stainless Steel
- GASKET: Polyurethane



BRASS CYLINDER		DD
	No cylinder	00
	Keyed alike	11

For other materials please check: page 20

 For cams please check page: 148

 For rods please check page: 150 or 430

STAINLESS STEEL PRODUCTS

SWINGHANDLE GEAR BOX

502



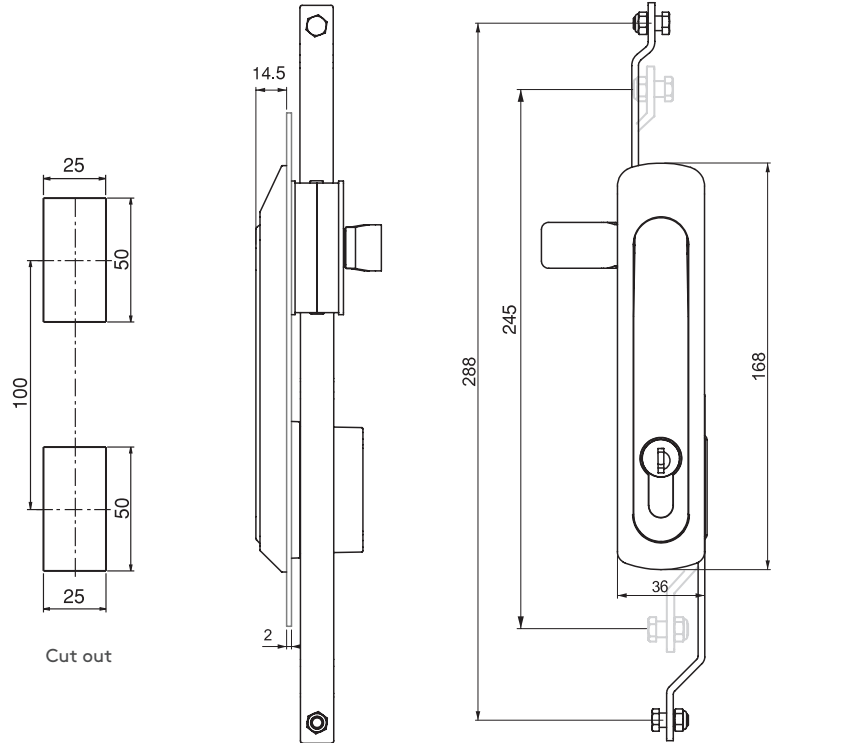
IP 65



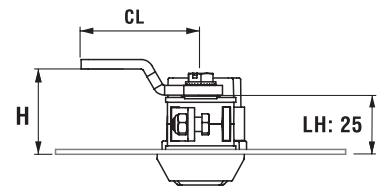
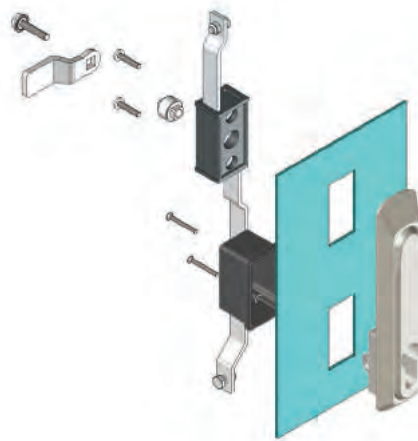
LH/RH



RoHS



Cut out



- Thin external profile (14.4 mm) for flush appearance
- High-security, brass, Euro Profile single cylinder available

APPLICATIONS

Electric panels, outdoor cabinets

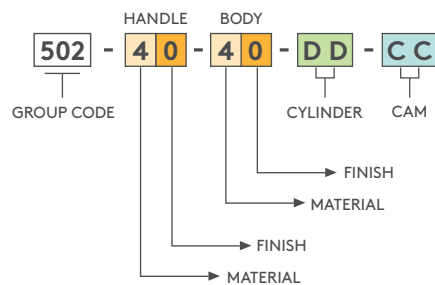
MATERIAL


BODY: Stainless Steel (AISI 316)
 HANDLE: Stainless Steel (AISI 316)
 MECHANISM: PA6 GFR 30
 CAM: Stainless Steel
 GASKET: Polyurethane

For other materials please check: page 50

For cams please check page: 148

For rods please check page: 150 or 430



BRASS CYLINDER		DD
	No cylinder	00
	Keyed alike	11



502

SWINGHANDLE GEAR BOX

STAINLESS STEEL

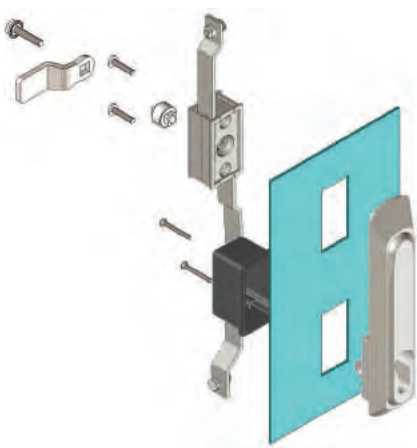
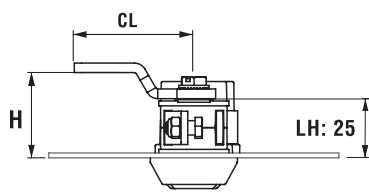
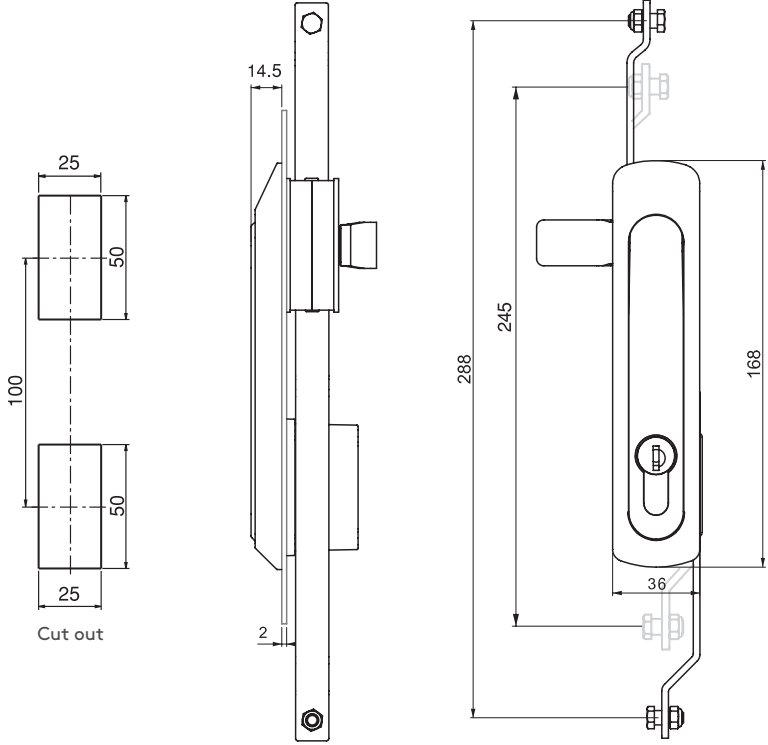
IP 65



LH/RH



RoHS



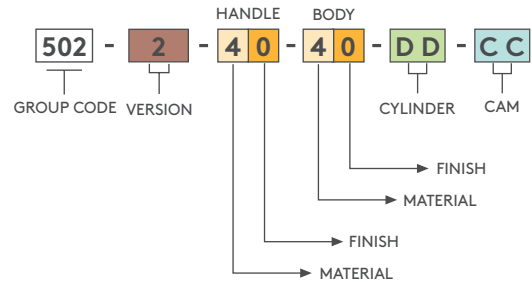
- Thin external profile (14.4 mm) for flush appearance
- High-security, brass, Euro Profile single cylinder available

APPLICATIONS

Electric panels, outdoor cabinets

MATERIAL

- BODY: Stainless Steel (AISI 316)
- HANDLE: Stainless Steel (AISI 316)
- MECHANISM: Stainless Steel
- CAM: Stainless Steel
- GASKET: Polyurethane



BRASS CYLINDER		DD
	No cylinder	00
	Keyed alike	11

For other materials please check: page 50

- For cams please check page: 148
- For rods please check page: 150 or 430

STAINLESS STEEL PRODUCTS

SWINGHANDLE GEAR BOX

402

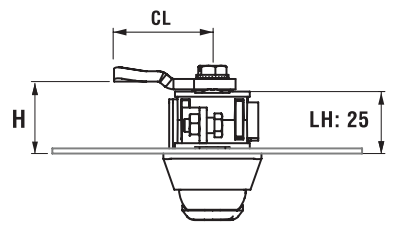
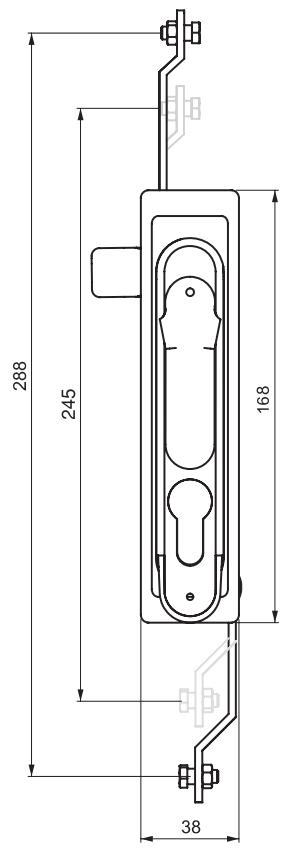
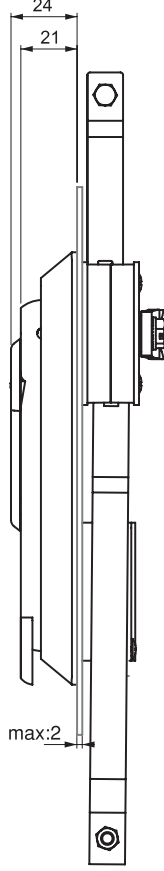
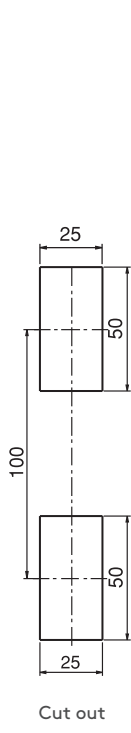
IP 65



LH/RH

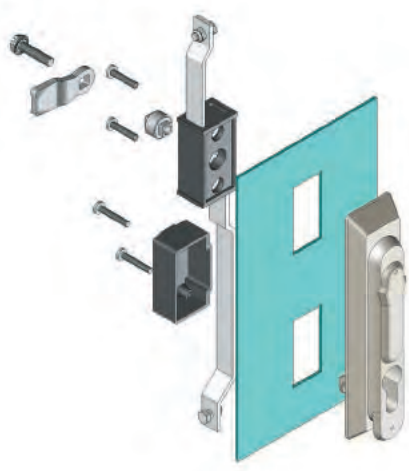


RoHS

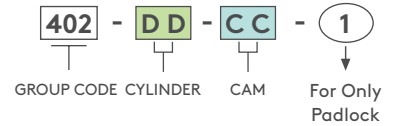


APPLICATIONS
Electric panels, outdoor cabinets

MATERIAL
 BODY: Stainless Steel (AISI 316)
 HANDLE: Stainless Steel (AISI 316)
 MECHANISM: PA6 GFR 30
 CAM: Stainless Steel
 GASKET: Polyurethane

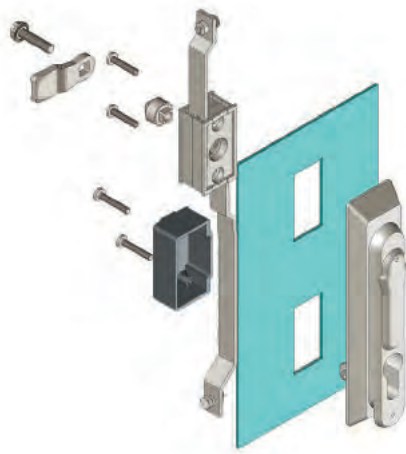
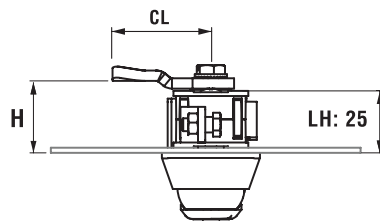
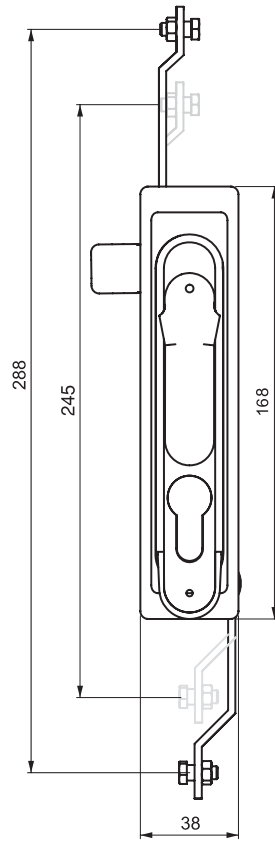
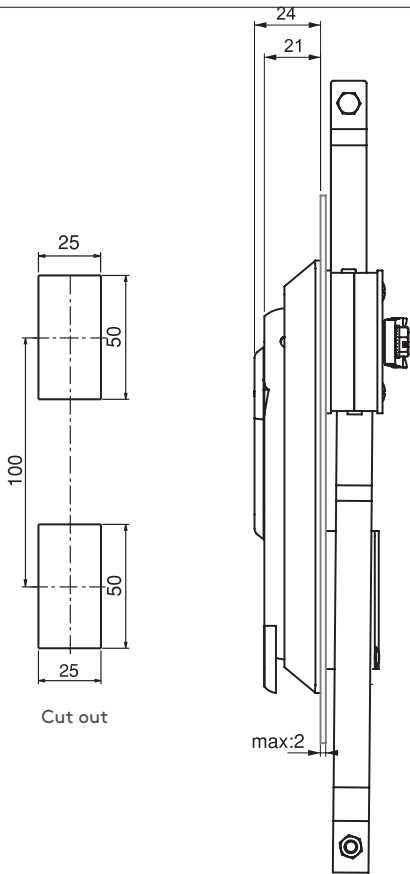


PRODUCT CODE



For cams please check page: 148
 For rods please check page: 150 or 430

BRASS CYLINDER		DD
	No cylinder	00
	Keyed alike	11



- 402
- IP 65
- LH/RH
- RoHS

SWINGHANDLE GEAR BOX

STAINLESS STEEL



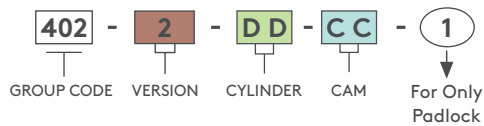
APPLICATIONS

Electric panels, outdoor cabinets

MATERIAL

- BODY: Stainless Steel (AISI 316)
- HANDLE: Stainless Steel (AISI 316)
- MECHANISM: Stainless Steel
- CAM: Stainless Steel
- GASKET: Polyurethane

PRODUCT CODE



		BRASS CYLINDER	DD
	No cylinder		00
	Keyed alike		11

For cams please check page: 148
For rods please check page: 150 or 430

STAINLESS STEEL PRODUCTS

THREE POINT LOCK - T HANDLE

103



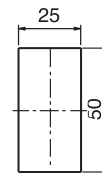
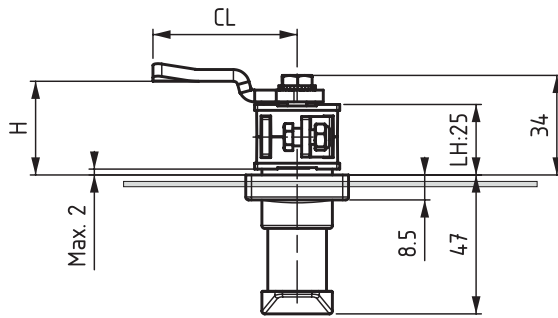
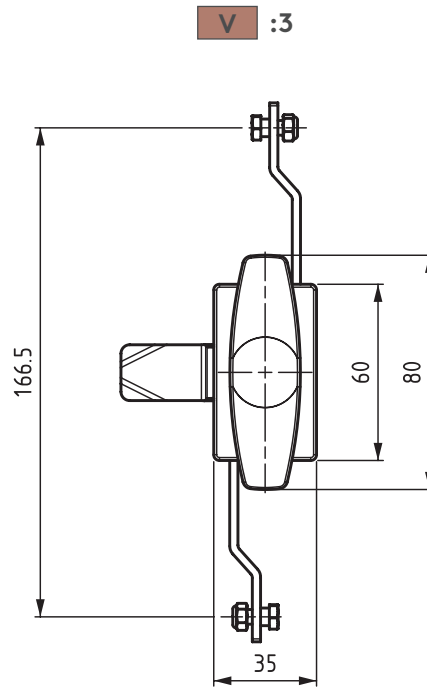
LH

RH

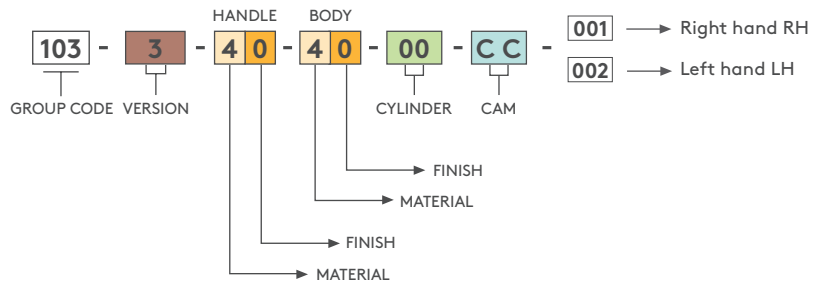


RoHS

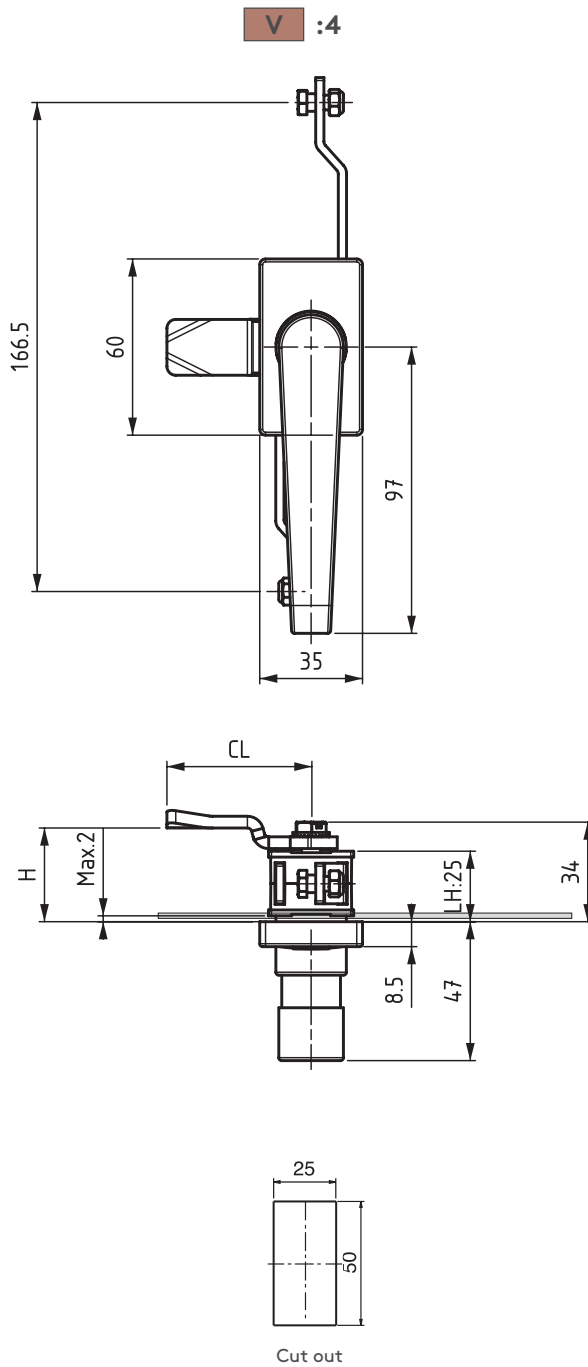
MATERIAL
 BODY: Stainless Steel
 HANDLE: Stainless Steel
 MECHANISM: Zamak DIN-EN 1774-ZnAl4Cu1
 DIL: Stainless Steel
 GASKET: Polyurethane



Cut out



For cams please check page: 148
 For rods please check page: 150 or 430



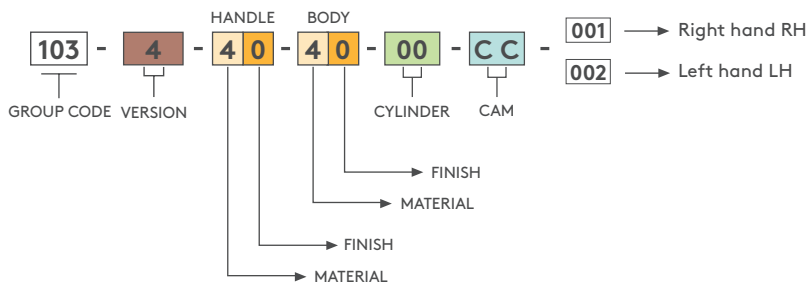
103



THREE POINT LOCK – L HANDLE

- 
- LH
- RH
- 
- RoHS

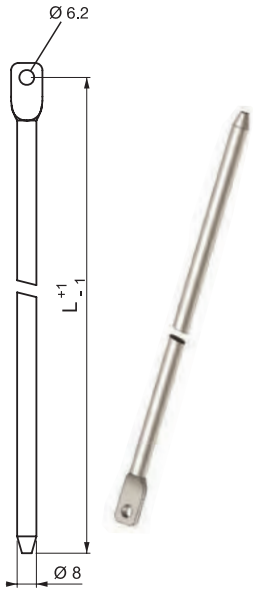


MATERIAL
 BODY: Stainless Steel
 HANDLE: Stainless Steel
 MECHANISM: Zamak DIN-EN 1774-ZnAl4Cu1
 DIL: Stainless Steel
 GASKET: Polyurethane



 For cams please check page: 148
 For rods please check page: 150 or 430

STAINLESS STEEL PRODUCTS



V :1

L MM	PRODUCT CODE
400	IC 4-0-1-400
500	IC 4-0-1-500
600	IC 4-0-1-600
700	IC 4-0-1-700
800	IC 4-0-1-800
900	IC 4-0-1-900
1000	IC 4-0-1-1000

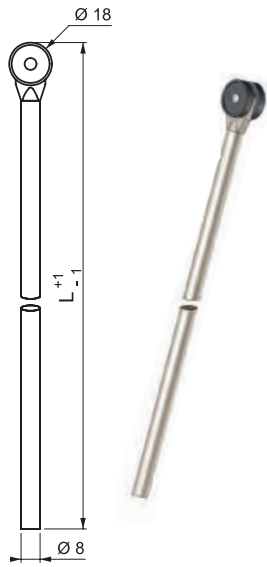
APPLICATION:

- With gear-box locks
- Locks with three-point cam



ACCESSORIES:

- Round-rod guide (CY)



V :2

L MM	PRODUCT CODE
400	IC 4-0-2-400
500	IC 4-0-2-500
600	IC 4-0-2-600
700	IC 4-0-2-700
800	IC 4-0-2-800
900	IC 4-0-2-900
1000	IC 4-0-2-1000

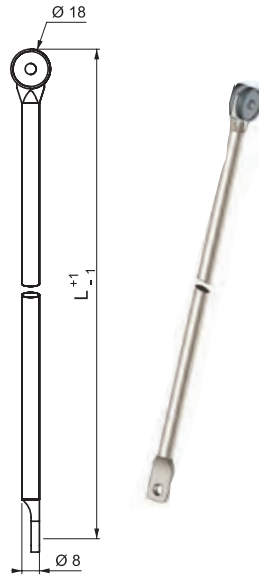
APPLICATION:

- With gear-box locks
- Locks with three-point cam



ACCESSORIES:

- Round-rod guide (CY)
- Rod adapter (CT)



V :3

L MM	PRODUCT CODE
400	IC 4-0-3-400
500	IC 4-0-3-500
600	IC 4-0-3-600
700	IC 4-0-3-700
800	IC 4-0-3-800
900	IC 4-0-3-900
1000	IC 4-0-3-1000

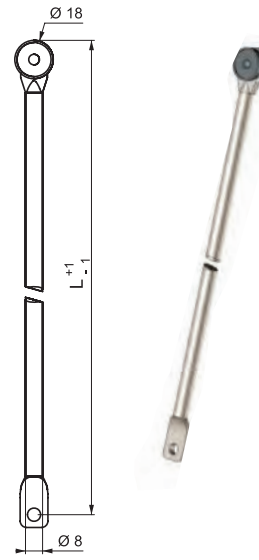
APPLICATION:

- Locks with three-point cam



ACCESSORIES:

- Round-rod guide (CY)



V :4

L MM	PRODUCT CODE
400	IC 4-0-4-400
500	IC 4-0-4-500
600	IC 4-0-4-600
700	IC 4-0-4-700
800	IC 4-0-4-800
900	IC 4-0-4-900
1000	IC 4-0-4-1000

APPLICATION:

- With gear-box locks



ACCESSORIES:

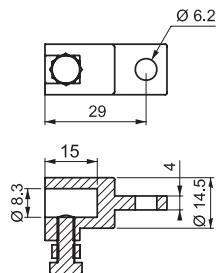
- Round-rod guide (CY)

For other materials please check: pages 152 and 153

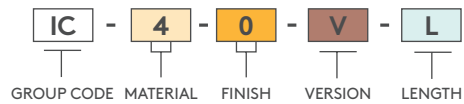
CT.4.0



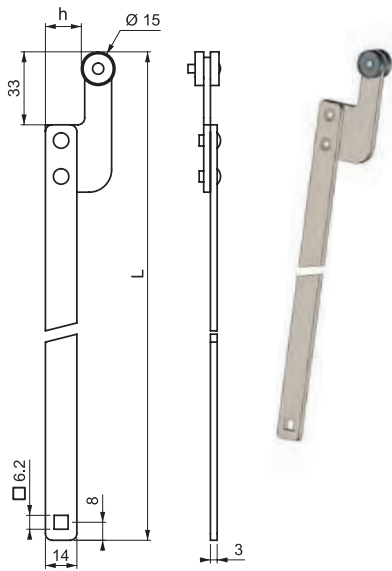
Rod adapter



PRODUCT CODE



For different 'L' Lengths, please contact us



V :1

H MM	L MM	PRODUCT CODE
27	1020	IL 4-0-1-27-1020
13	1020	IL 4-0-1-13-1020

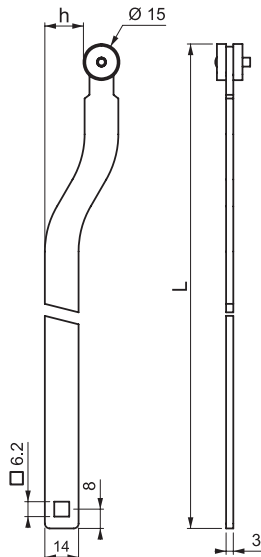
APPLICATION:

- With gear-box locks



ACCESSORIES:

- Flat-rod guide (LY)



V :2

H MM	L MM	PRODUCT CODE
21	1020	IL 4-0-2-21-1020
16	1020	IL 4-0-2-16-1020

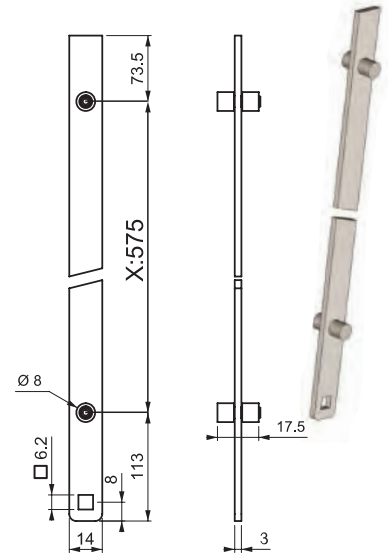
APPLICATION:

- With gear-box locks



ACCESSORIES:

- Flat-rod guide (LY)



V :3

X MM	PRODUCT CODE
575	ILP 4-0-1-575

APPLICATION:

- With gear-box locks

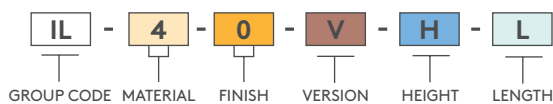


ACCESSORIES:

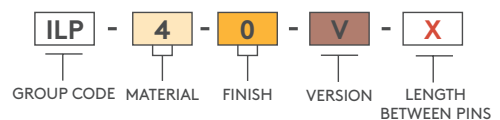
- Flat-rod guide (LY)
- Dual roller catcher (LKY)

For other materials please check: page 161

PRODUCT CODE



PRODUCT CODE



For different 'L' Lengths, please contact us

STAINLESS STEEL PRODUCTS

PUSH-TO-CLOSE LOCK

016



IP 54

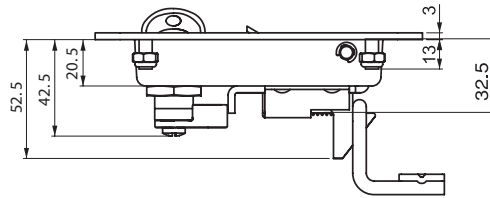
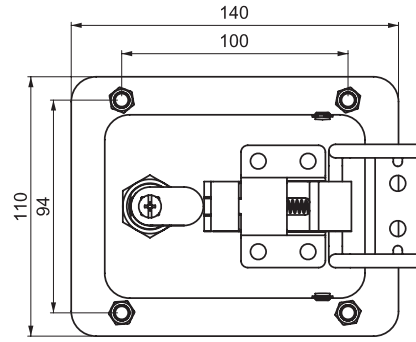


LH/RH

RoHS

- Slam-shut operation; brass cam
- Can be opened from inside by moving cam

MATERIAL
Stainless Steel (AISI 304)



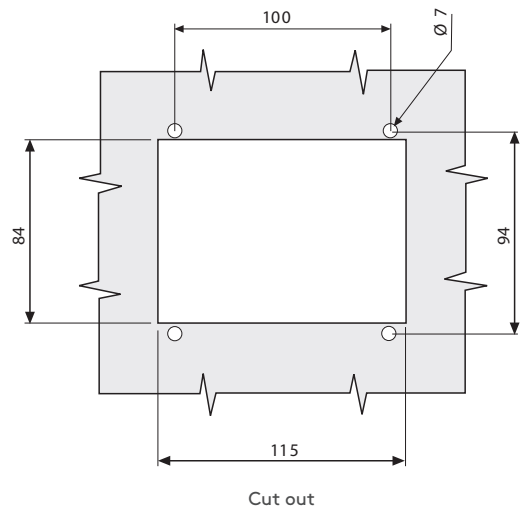
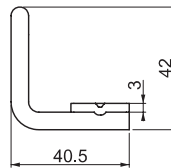
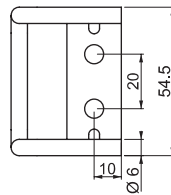
CAM STRIKING PLATE

016 A740



- Striking plate. Custom sizes available

MATERIAL
Stainless Steel (AISI 304)



PRODUCT CODE

016 - 4 - 0 - DD - 1
 GROUP CODE MATERIAL FINISH CYLINDER VERSION

SPECIFICATIONS

SPECIFICATIONS	DD
Stainless steel dust cap Keyed alike	03
Stainless steel dust cap Keyed differ	32

For other materials please check:
page 82



416

PUSH-TO-CLOSE LOCK



IP 54

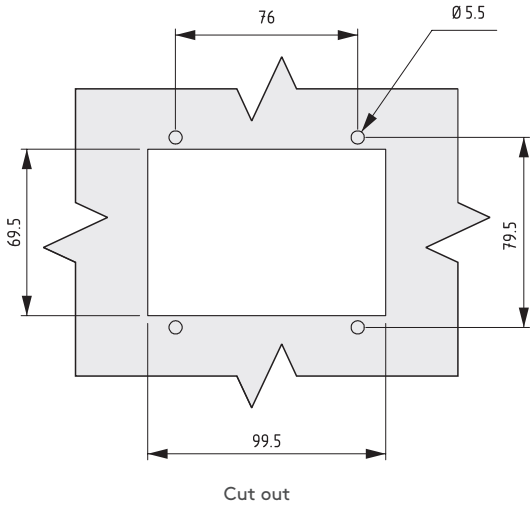
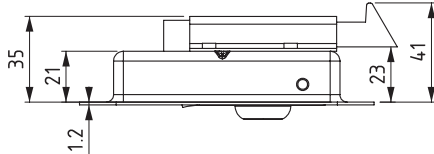
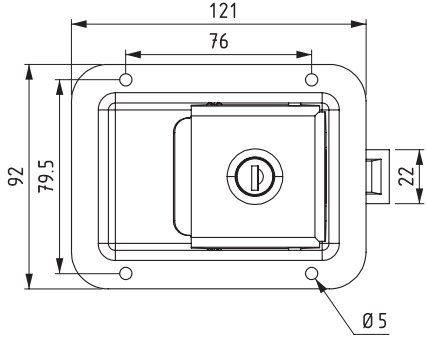


LH/RH

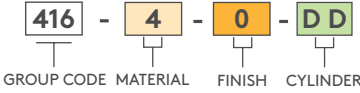


- Slam-shut operation
- Can be opened from inside by moving cam

MATERIAL
Stainless Steel (AISI 304)



PRODUCT CODE



SPECIFICATIONS	DD
Stainless steel dust cap Keyed alike	03
Stainless steel dust cap Keyed differ	32

STAINLESS STEEL PRODUCTS

T HANDLE HEAVY-DUTY LOCK

315



IP 54



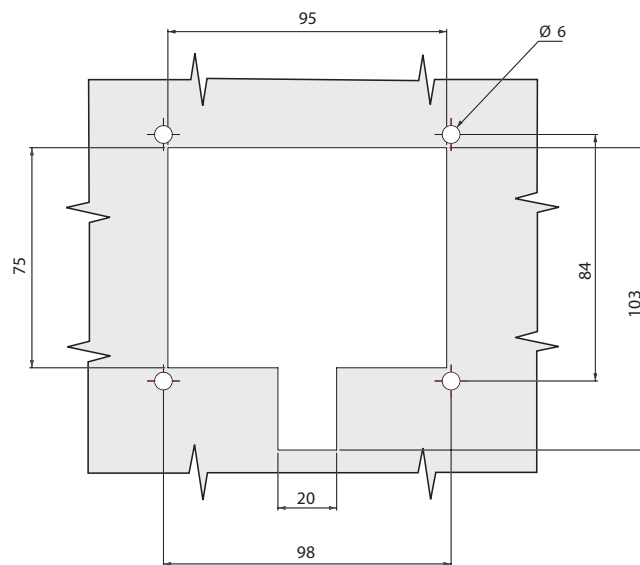
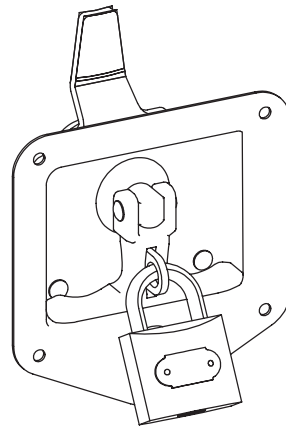
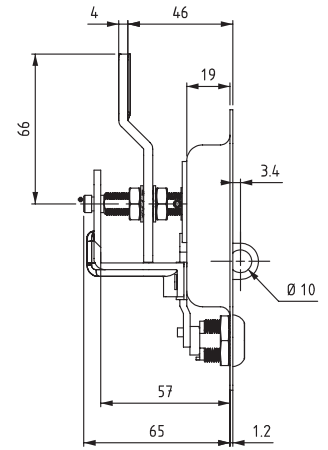
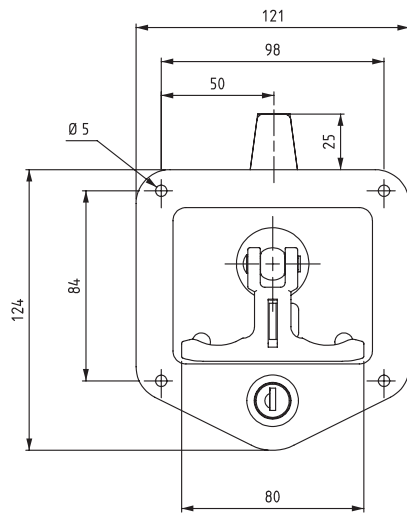
LH/RH



- Suitable for special equipment cases
- Adjustable cam for wide grip range
- Maximum padlock shackle diameter 9 mm

MATERIAL

BODY: Stainless steel
 HANDLE: Zamak DIN-EN 1774-ZnAl4Cu1
 PADLOCK HASP: Stainless steel
 CAM: Steel



Cut out

115

T HANDLE
HEAVY-DUTY LOCK

IP 54



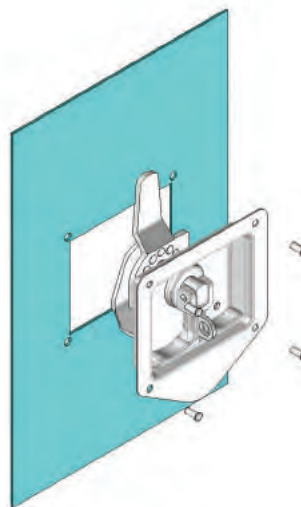
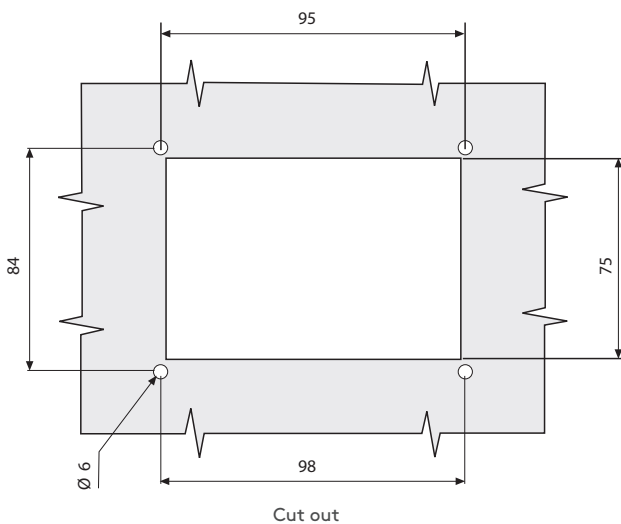
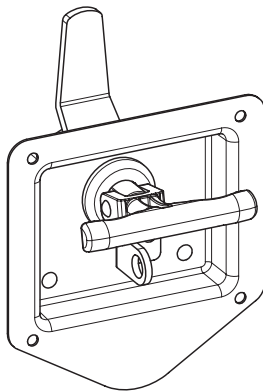
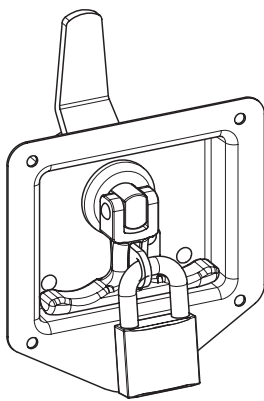
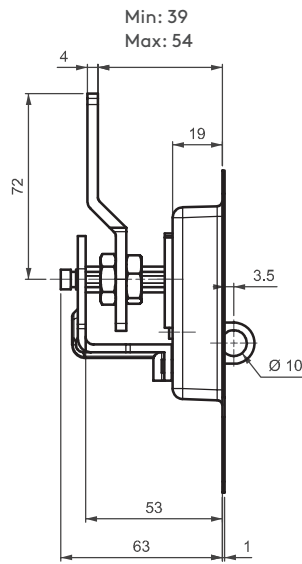
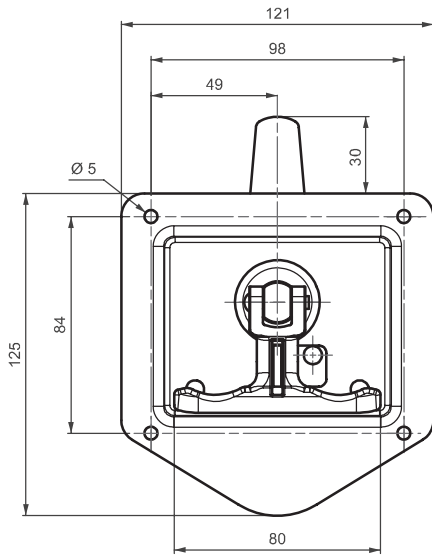
LH/RH



- Suitable for special equipment cases
- Adjustable cam for different grip range
- Maximum padlock shackle diameter 9 mm

MATERIAL

BODY: Stainless Steel
HANDLE: Zamak DIN-EN
1774-ZnAl4Cu1
CAM: Steel



STAINLESS STEEL PRODUCTS

QUARTER TURN – SPRING LOADED

060

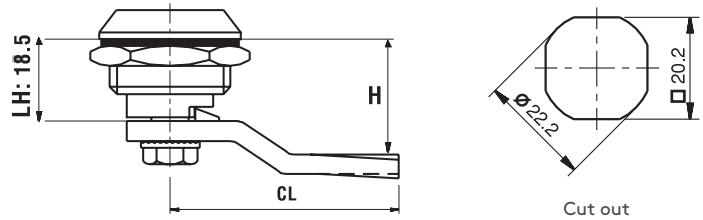


IP 65



LH/RH

RoHS



Cut out

- Specially designed internal spring provides 1.5 mm of compression
- IP 66 (Nema 4), optional

MATERIAL

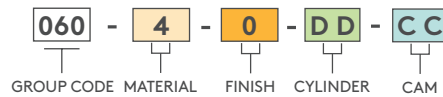
Stainless Steel (AISI 3.....)

3 mm Double bit	5 mm Double bit	8 mm Square	7 mm Triangular	8 mm Triangular	Railway
DD	DD	DD	DD	DD	DD
13	15	28	37	38	88

For cams please check page: 148

For keys please check pages: 162 - 163

PRODUCT CODE



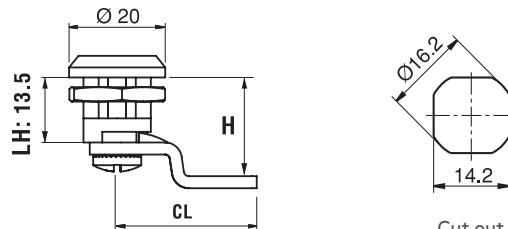
MINI QUARTER TURN – SPRING LOADED

066



LH/RH

RoHS



Cut out

- Specially designed internal spring provides 1 mm of compression
- Sealing washer not supplied
- There is no IP 65 version of this lock

MATERIAL

Stainless Steel (AISI 3.....)



Application key code: 267

MATERIAL

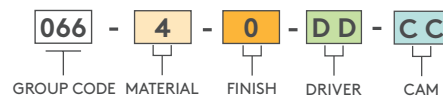
Zamak DIN-EN 1774-ZnAl4Cu1

FINISH

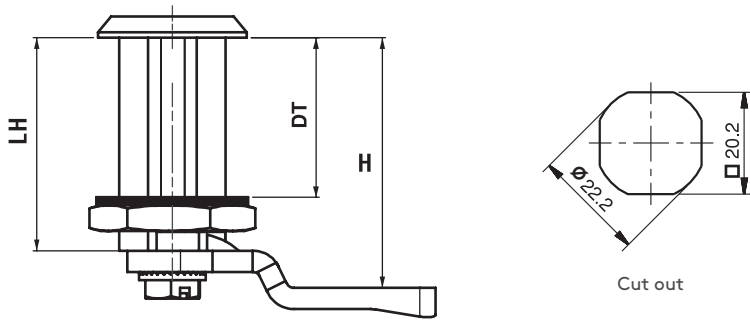
Chrome plated

6 mm Square	7 mm Triangular	Slot
DD	DD	DD
26	37	42

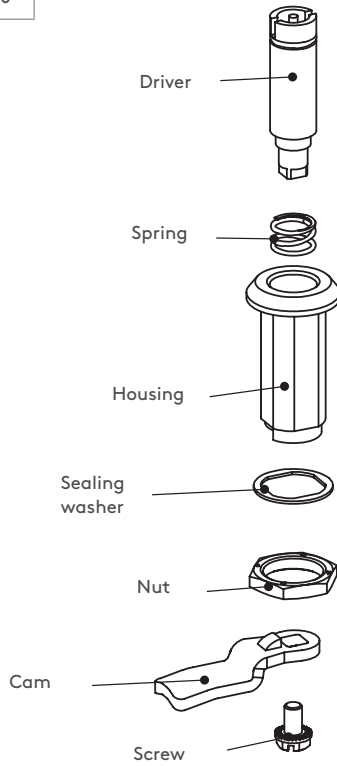
PRODUCT CODE



For other materials please check: page 202



DT	LH
30	40
40	50
50	60



064

QUARTER TURN -
SPRING LOADED

IP 65



LH/RH

RoHS



- Specially designed internal spring provides 1.5 mm of compression
- IP 66 (Nema 4), optional

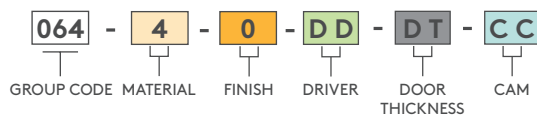
MATERIAL

Stainless Steel (AISI 3.....)

3 mm Double bit		5 mm Double bit		8 mm Square		7 mm Triangular		8 mm Triangular		Railway	
DD		DD		DD		DD		DD		DD	
13		15		28		37		38		88	

For other materials please check: page 191

PRODUCT CODE



For cams please check page: 148

For keys please check pages: 162 - 163

STAINLESS STEEL PRODUCTS

COMPRESSION LOCK

040

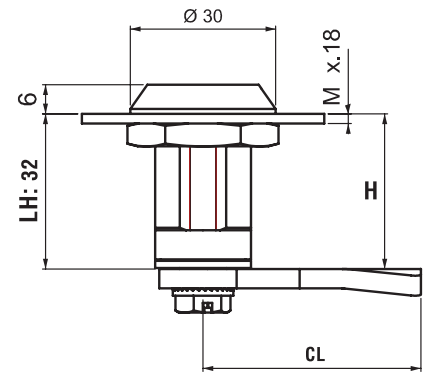
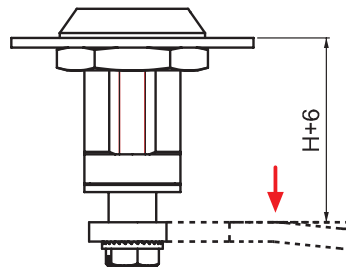


IP 65

LH

RH

RoHS

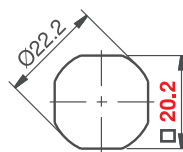


- Used for cabinets that require better sealing under vibrating conditions
- Provides 6 mm of compression
- Provides noise isolation
- Different drivers/cams available
- Standard cams without stopper required for these locks
- The lock has been tested according to the DIN EN 61373 Category 1-B for vibration and shock.
- Working Temperature Range: -50/+80 C
- M22 Nut : should be fixed with 60 Nm
- M10 Nut: should be fixed with 10 Nm
- Sealing glue is applied to the nut threads to get extra fastness against vibration and shock
- Max load capacity: 562 N

MATERIAL

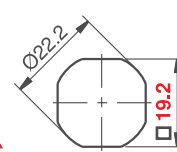
HOUSING: Stainless Steel (AISI 316)
 DRIVER: Stainless Steel (AISI 316)
 CAM: Stainless Steel (AISI 304)
 NUT: Stainless Steel (AISI 304)

V :1



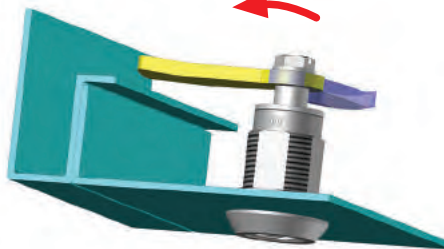
Standard Cut Out

V :3



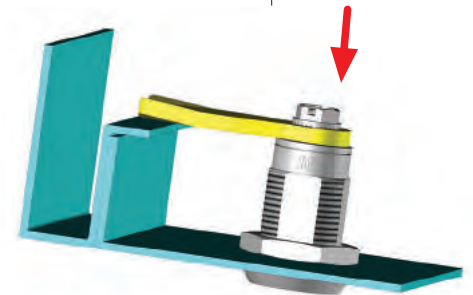
Attention

Special Cut Out



Unlock position

The first 90° of key rotation turns the cam to locking position



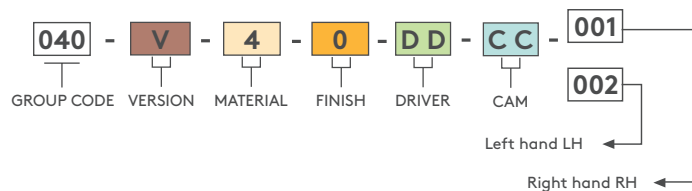
Lock position

Further key rotation 180° applies compression

DRIVERS

3 mm Double bit DD 13	5 mm Double bit DD 15	Railway DD 88	8 mm Square DD 28	2X4 mm Slot DD 42
7 mm Triangular DD 37		8 mm Triangular DD 38		

PRODUCT CODE

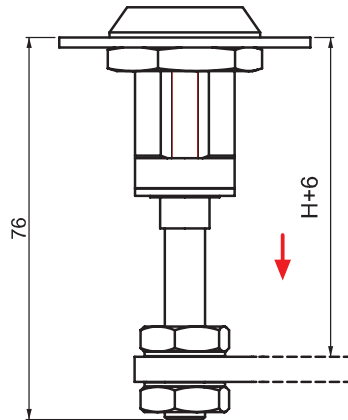
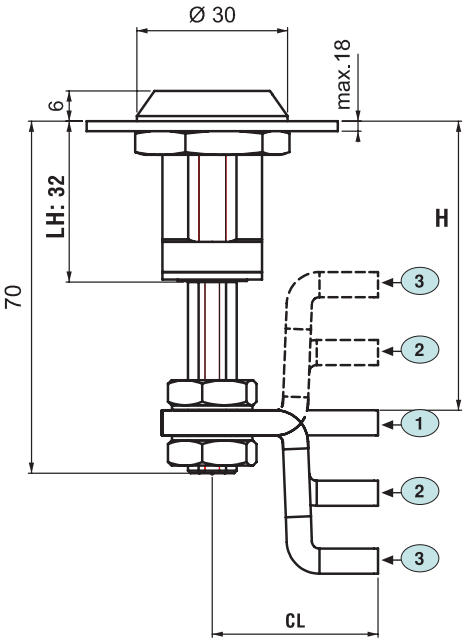


For cams please check page: 148

For keys please check pages: 162 - 163

040

COMPRESSION LOCK



IP 65

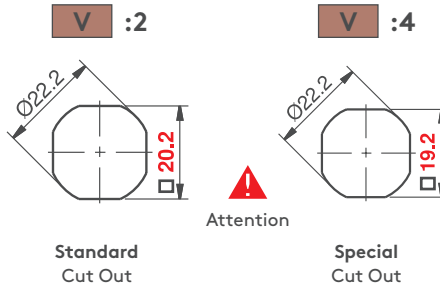
LH

RH

RoHS



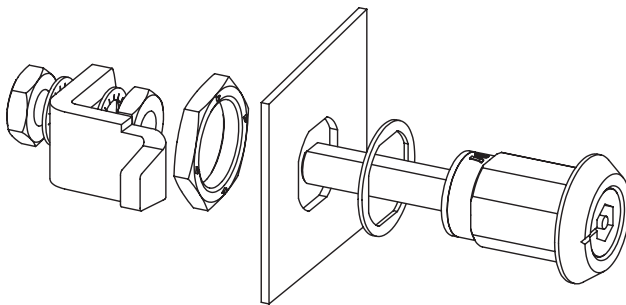
CAM	CC	CH	CL	H GRIP	
				MIN	MAX
1	01	0	33	41	58
2	02	14	33	27	72
3	03	27.5	33	13.5	85



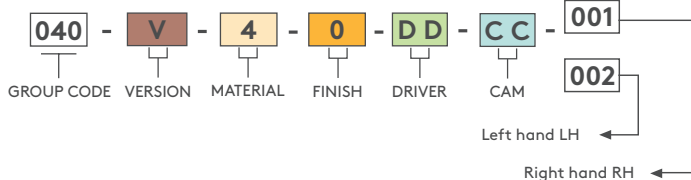
- Used for cabinets that require better sealing under vibrating conditions
- 6 mm of compression
- Wide grip range with adjustable screw
- Noise isolation
- Different drivers/cams available
- Three different cam alternatives available
- The lock has been tested according to the DIN EN 61373 Category 1-B for vibration and shock.
- Working Temperature Range: -50/+80 C
M22 Nut : should be fixed with 60 Nm
M10 Nut: should be fixed with 10 Nm
- Sealing glue is applied to the nut threads to get extra fastness against vibration and shock
- Max load capacity: 562 N

MATERIAL

HOUSING: Stainless Steel (AISI 316)
DRIVER: Stainless Steel (AISI 316)
CAM: Stainless Steel (AISI 304)
NUT: Stainless Steel (AISI 304)



PRODUCT CODE



STAINLESS STEEL PRODUCTS

COMPRESSION LOCK

040



IP 65

LH

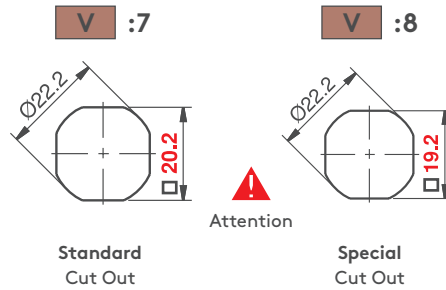
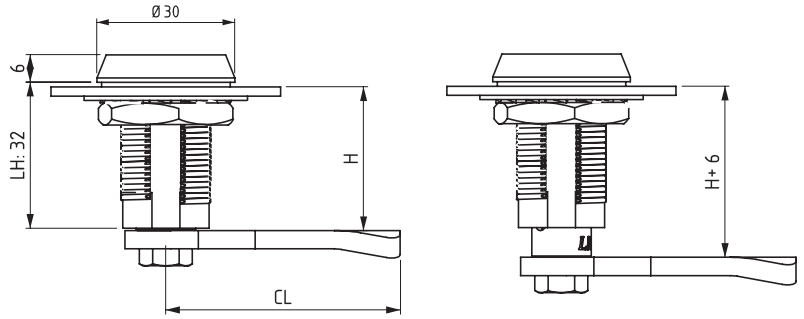
RH

RoHS

- Used for cabinets that require better sealing under vibrating conditions
- Provides 6 mm of compression
- Provides noise isolation
- Different drivers/cams available
- Standard cams without stopper required for these locks
- The lock has been tested according to the DIN EN 61373 Category 1-B for vibration and shock.
- Working Temperature Range: -50/+80 C
- M22 Nut : should be fixed with 60 Nm
- M10 Nut: should be fixed with 10 Nm
- Sealing glue is applied to the nut threads to get extra fastness against vibration and shock
- Max load capacity: 562 N

MMATERIAL

HOUSING: Stainless Steel (AISI 316)
 DRIVER: Stainless Steel (AISI 316)
 CAM: Stainless Steel (AISI 304)
 NUT: Stainless Steel (AISI 304)



Attention

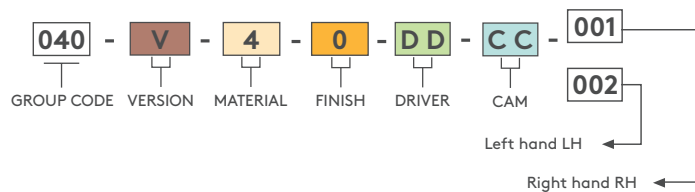
Standard Cut Out

Special Cut Out

DRIVERS

3 mm Double bit DD 13	5 mm Double bit DD 15	Railway DD 88	8 mm Square DD 28	2X4 mm Slot DD 42
7 mm Triangular DD 37		8 mm Triangular DD 38		

PRODUCT CODE



For cams please check page: 148
 For keys please check pages: 162 - 163



040

COMPRESSION LOCK

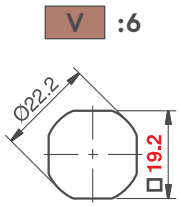
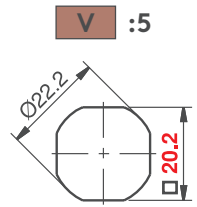
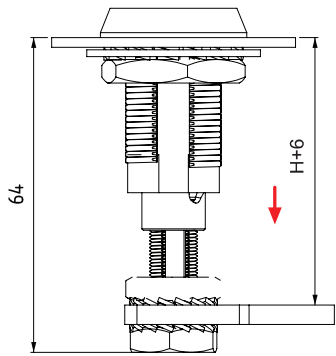
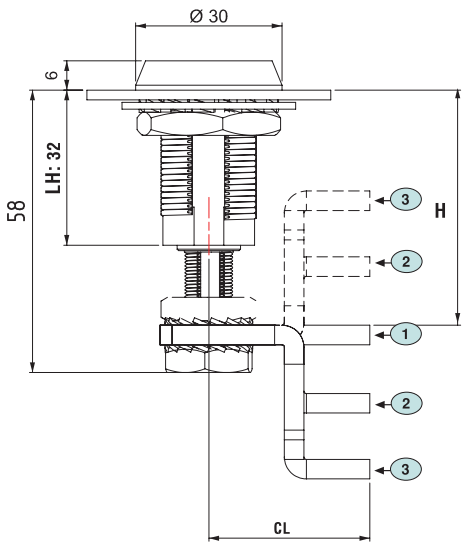


IP 65

LH

RH

RoHS



Standard Cut Out

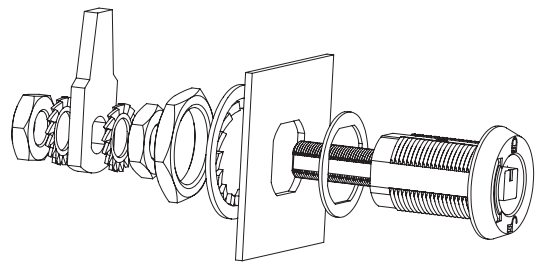
Special Cut Out

CAM	CC	CH	CL	H GRIP MIN	H GRIP MAX
1	01	0	33	38	48
2	02	14	33	24	62
3	03	27.5	33	11	75

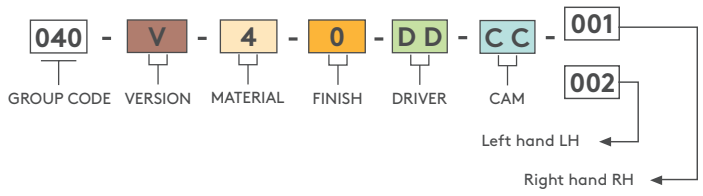
- Used for cabinets that require better sealing under vibrating conditions
- 6 mm of compression
- Wide grip range with adjustable screw
- Noise isolation
- Different drivers/cams available
- Three different cam alternatives available
- The lock has been tested according to the DIN EN 61373 Category 1-B for vibration and shock.
- Working Temperature Range: -50/+80 C
- M22 Nut : should be fixed with 60 Nm
- M10 Nut: should be fixed with 10 Nm
- Sealing glue is applied to the nut threads to get extra fastness against vibration and shock
- Max load capacity: 562 N

MATERIAL

HOUSING: Stainless Steel (AISI 316)
 DRIVER: Stainless Steel (AISI 316)
 CAM: Stainless Steel (AISI 304)
 NUT: Stainless Steel (AISI 304)



PRODUCT CODE




STAINLESS STEEL PRODUCTS

ANTI CONTAMINATION LOCK

460

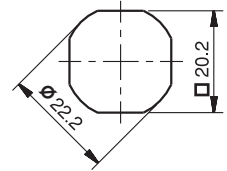
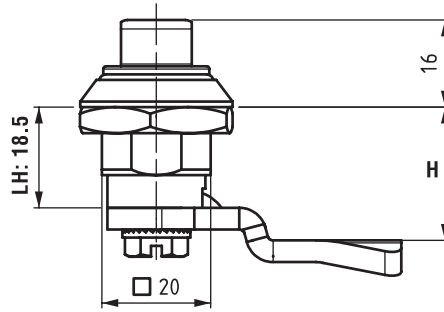


- IP 69K
- 
- LH/RH
- RoHS

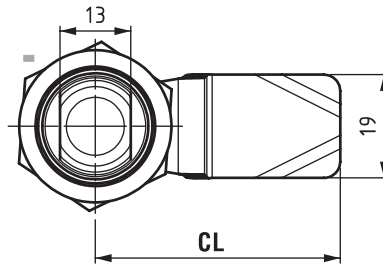
- Dirt resistant and easy to clean
- Specially designed for hygiene requirements of food sector

MATERIAL

HOUSING: Stainless Steel (AISI 316)
 DRIVER: Stainless Steel (AISI 316)
 CAM: Stainless Steel (AISI 304)
 ORING: Silicone

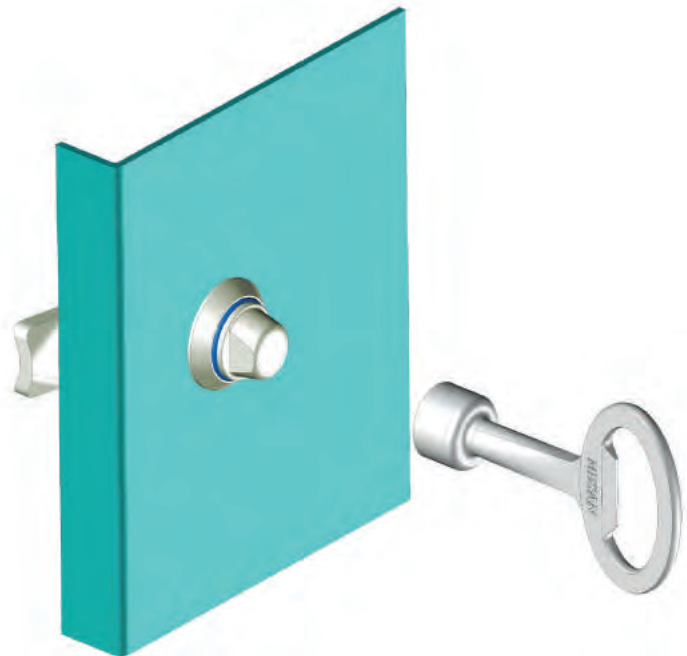


Cut out



METAL KEY

368-94



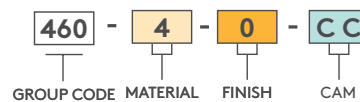
MATERIAL

Zamak DIN-EN 1774-ZnAl4Cu1

FINISH

Chrome plated

PRODUCT CODE



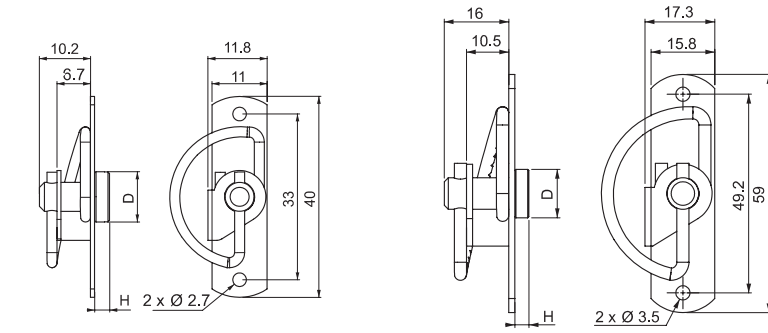
 For cams please check page: 148

045

COMPRESSION - SPRING LATCH

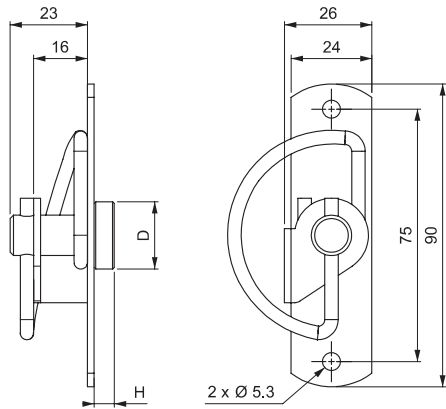


RoHS

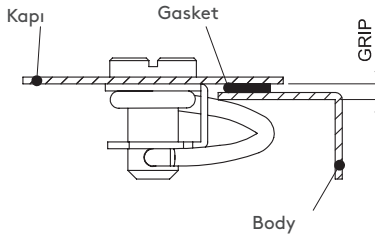


Small

Medium



Large



- Fix small panels to frame with ease
- Quarter-turn locking
- Easy assembly
- For doors with a bend of 24 mm

MATERIAL

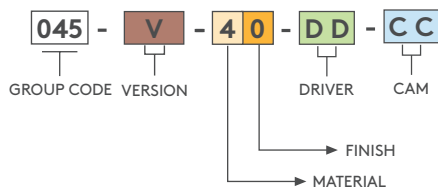
BODY: Stainless steel
 DRIVER: Stainless steel
 SPRING: Stainless steel

DRIVER					
DD	Driver name		Version	DØ	H
21	Hexagon Female - 4mm		2	12	3.5
31	Hexagon Female - 8mm		3	20	6
32	Slot - Large		3	20	5
22	Slot - Medium		2	12	3.5
12	Slot - Small		1	10	3
13	Knurled - Small		1	10.5	12
23	Knurled - Medium		2	13	17.5

CAM		
CC	Cam name	Version
41	Smooth Spring - Small	1
42	Smooth Spring - Medium	2
52	Serrated Spring - Medium	2
43	Smooth Spring - Large	3
53	Serrated Spring - Large	3

VERSION	
V	Product
1	Small Spring Latch
2	Medium Spring Latch
3	Large Spring Latch

PRODUCT CODE



STAINLESS STEEL PRODUCTS

QUARTER TURN - T HANDLE

110



LH/RH

RoHS



- Quarter-turn operation
- Stainless steel

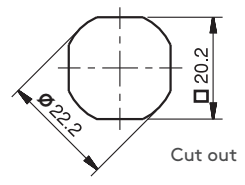
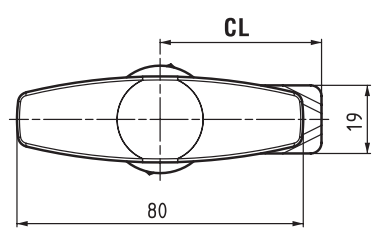
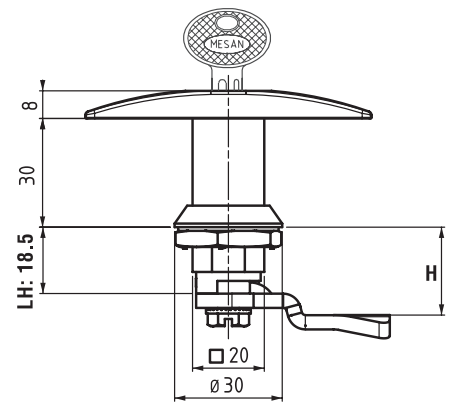
MATERIAL
 HOUSING: Stainless Steel (AISI 316)
 HANDLE: Stainless Steel (AISI 316)
 CAM: Stainless Steel (AISI 304)
 GASKET: Rubber



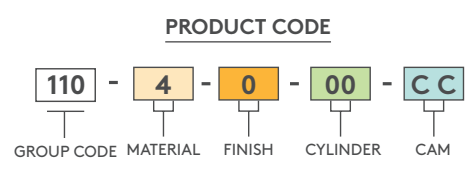
No cylinder '00'

For other materials please check:
 page 220

For cams please check page: 148



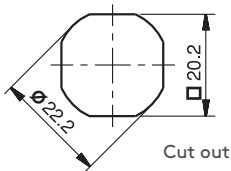
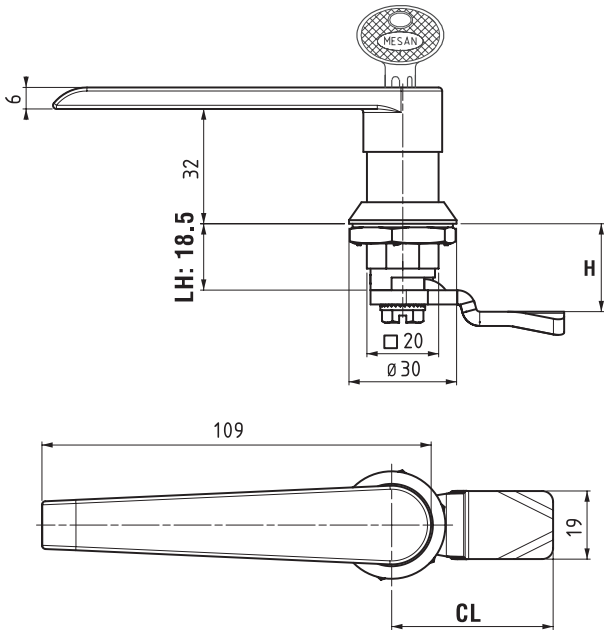
CYLINDER	SPECIFICATIONS	DD
	No cylinder	00
	Keyed alike	01
	Keyed differ	02
	Euro key (5333)	05
	CH751 (Stainless steel dust cap)	07





111

QUARTER TURN - T HANDLE



- Quarter-turn operation
- Stainless steel

MATERIAL
 HOUSING: Stainless Steel (AISI 316)
 HANDLE: Stainless Steel (AISI 316)
 CAM: Stainless Steel (AISI 304)
 GASKET: Rubber

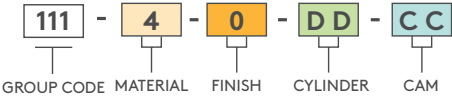


No cylinder '00'

CYLINDER	SPECIFICATIONS	DD
	No cylinder	00
	Keyed alike	01
	Keyed differ	02
	Euro key (5333)	05
	CH751 (Stainless steel dust cap)	07

For other materials please check: page 221

PRODUCT CODE



For cams please check page: 148

STAINLESS STEEL PRODUCTS

QUARTER TURN - WING KNOB

065



IP 65



LH/RH

RoHS



- Quarter turn operation
- All in stainless steel

MATERIAL

HOUSING: Stainless Steel (AISI 316)

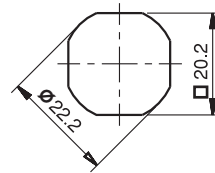
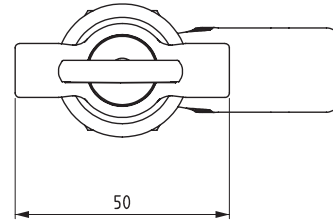
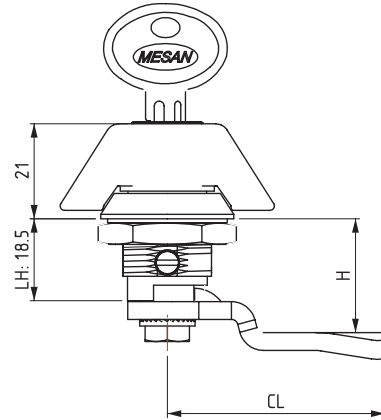
KNOB: Stainless Steel (AISI 316)

CAM: Stainless Steel (AISI 304)


GASKET: Rubber



No cylinder '00'



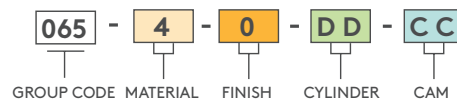
Cut out

CYLINDER	SPECIFICATIONS	DD
	No cylinder	00
	Keyed alike	01
	Keyed differ	02
	Euro key (5333)	05
	CH751 (Stainless steel dust cap)	07

For other materials please check: page 218

For cams please check page: 148

PRODUCT CODE





265

PADLOCKABLE WING KNOB

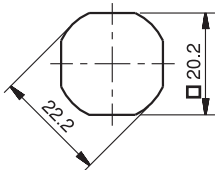
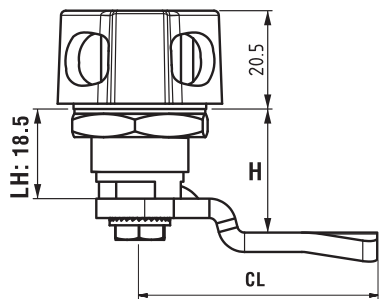


IP 65

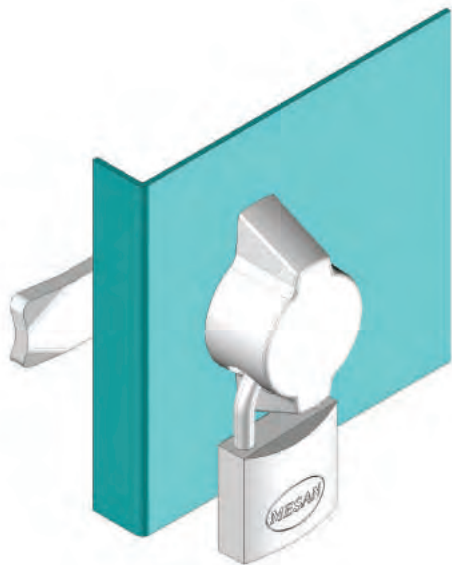


LH/RH

RoHS



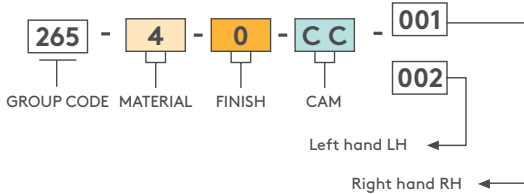
Cut Out



- Padlockable wing knob. Maximum shackle diameter 6 mm.
- All in Stainless steel

MATERIAL
 HOUSING: Stainless Steel (AISI 316)
 KNOB: Stainless Steel (AISI 316)
 CAM: Stainless Steel (AISI 304)
 GASKET: Rubber

PRODUCT CODE



For cams please check page: 148

STAINLESS STEEL PRODUCTS

QUARTER TURN LOCK

860



IP 65



LH/RH

RoHS

- Used for cabinets under vibration conditions
- Different driver alternatives are available

APPLICATIONS

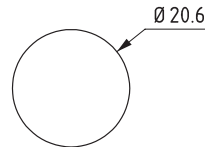
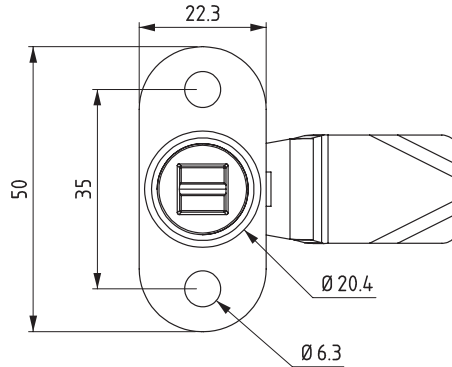
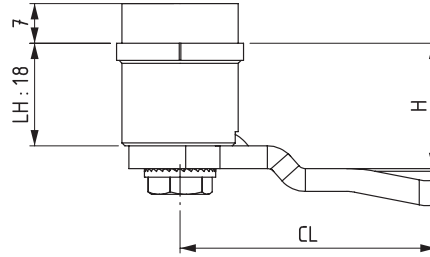
Railway cabinets offroad applications

MATERIAL

HOUSING: Stainless Steel (AISI 316)

DRIVER: Stainless Steel (AISI 316)

CAM: Stainless Steel (AISI 304)



Cut out



PRODUCT CODE

860 - 4 - 0 - DD - CC

GROUP CODE MATERIAL FINISH DRIVER CAM

For cams please check page: 148

For keys please check pages: 162 - 163

For drivers please check pages: 436

STAINLESS STEEL PRODUCTS

042

SCREW LOCK

LH/RH

RoHS



• Used to lock railway cabinets

APPLICATIONS
Railway cabinets

MATERIAL

BODY: Stainless Steel (AISI 316)
DRIVER: Stainless Steel (AISI 316)
NUT: Stainless Steel (AISI 304)

276

SAFETY LATCH

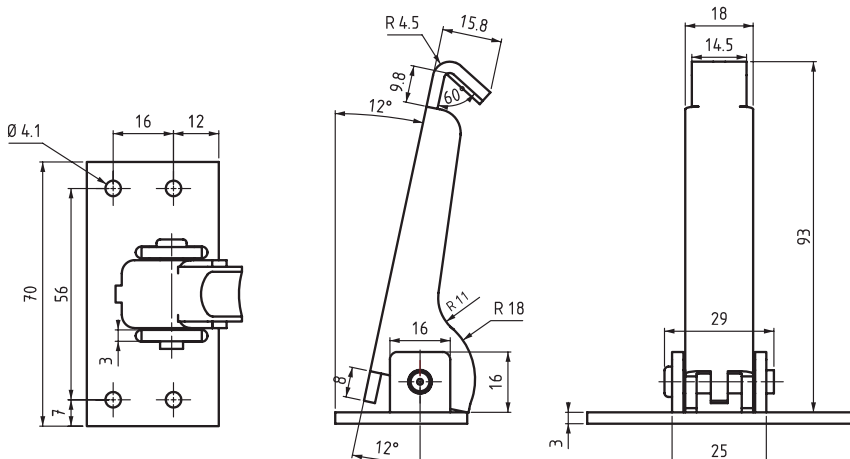
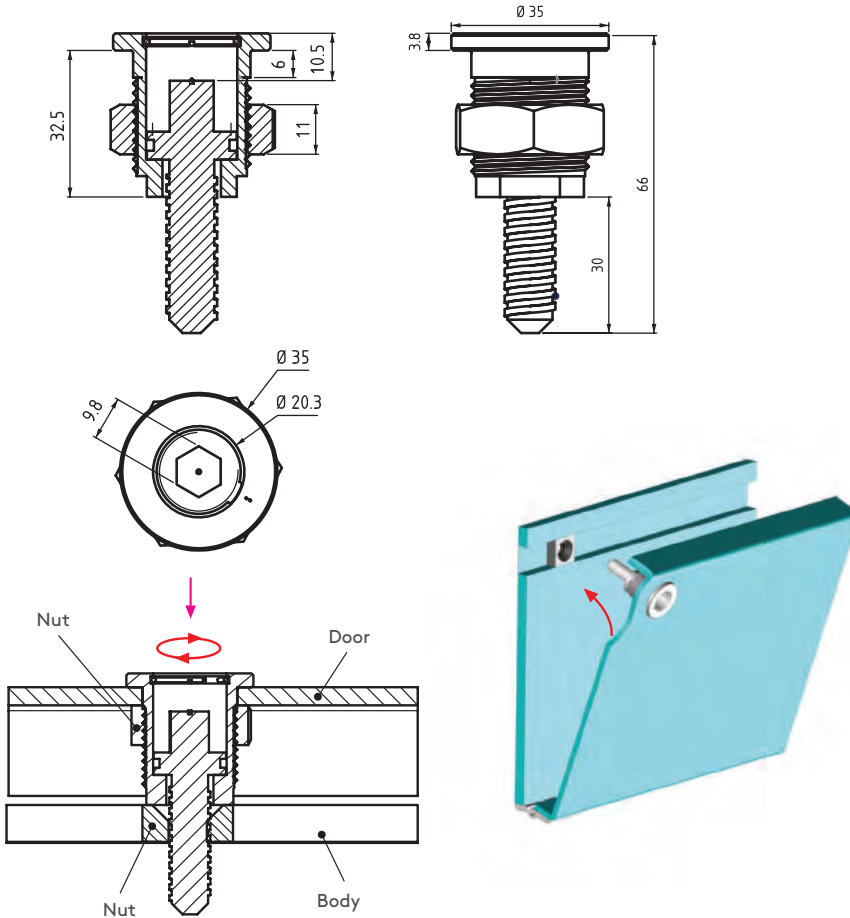
LH/RH

RoHS



APPLICATIONS
Railway cabinets

MATERIAL
Stainless Steel



PRODUCT CODE

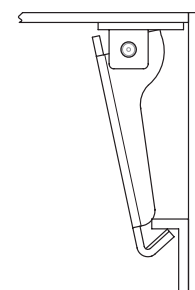
042 - 4 - 0

GROUP CODE MATERIAL FINISH

PRODUCT CODE

276 - 4 - 0

GROUP CODE MATERIAL FINISH



STAINLESS STEEL PRODUCTS

CONCEALED HINGE

295



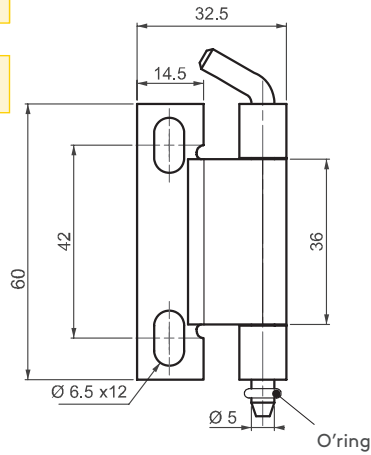
LH/RH

- For doors with a bend of between 20 mm and 24 mm
- Frame part is screwed on, door part is welded on
- Suitable for left- and right-hand application

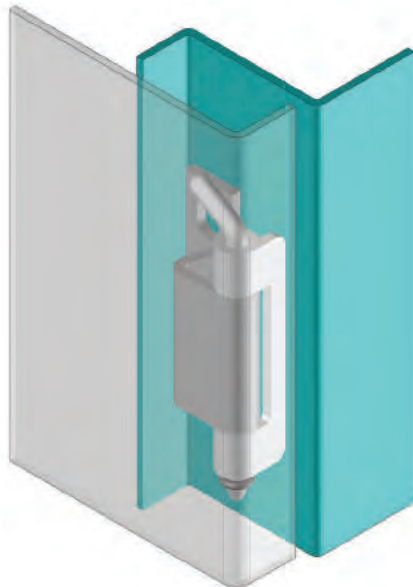
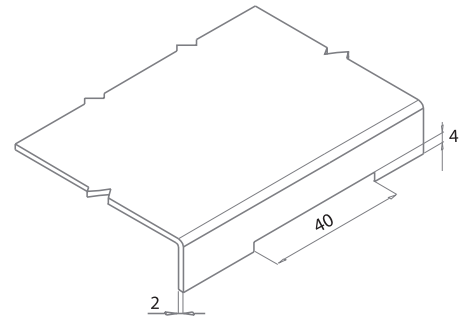
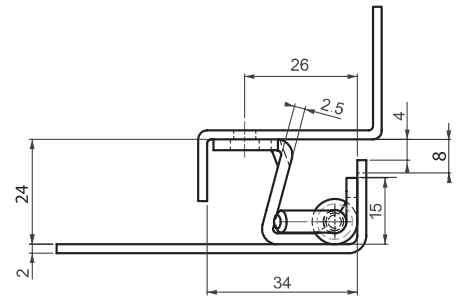
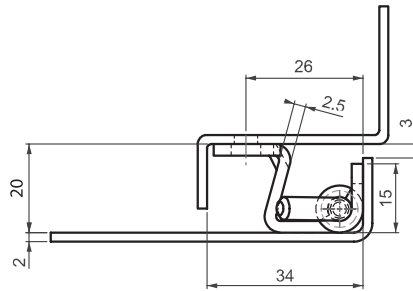
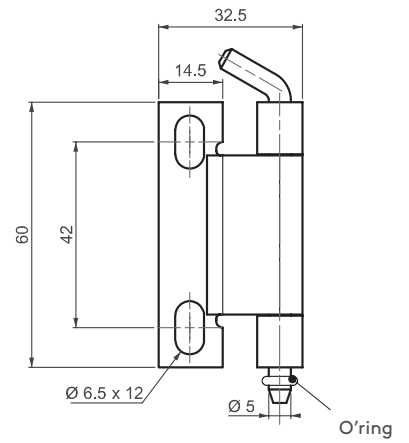
MATERIAL

BODY: Stainless Steel (AISI 304)
PIN: Stainless Steel (AISI 303)

V :1



V :2



Hinge Rotation Angle



Note: Bolts are not supplied

For other materials please check:
page 282

PRODUCT CODE

295 - 4 - 0 - V
GROUP CODE MATERIAL FINISH VERSION



295

CONCEALED HINGE

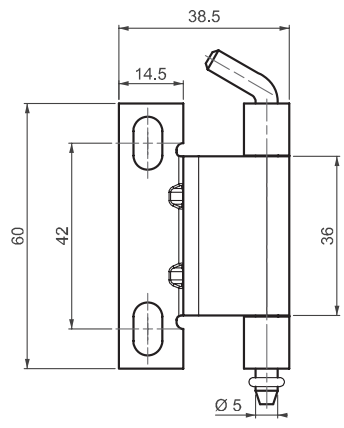


LH/RH

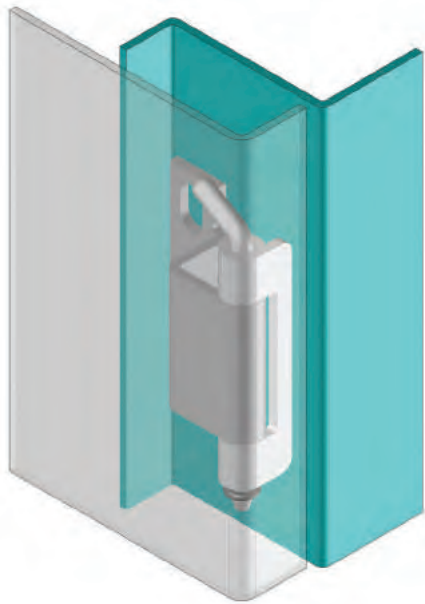
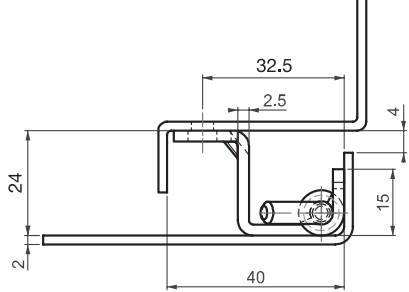
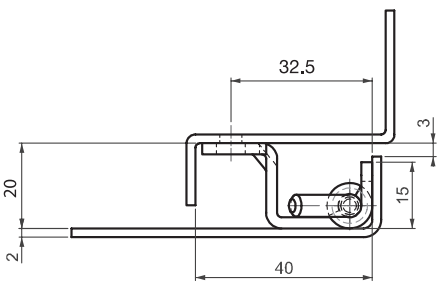
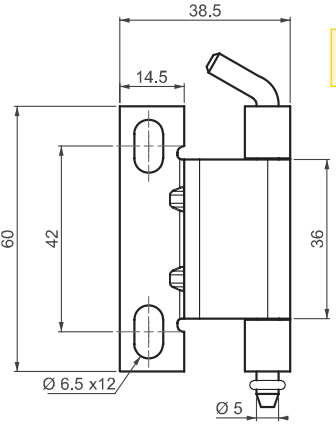


MATERIAL
 BODY: Stainless Steel (AISI 304)
 PIN: Stainless Steel (AISI 303)

V :3



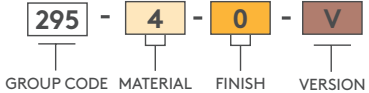
V :4



Hinge Rotation Angle



PRODUCT CODE



Note: Bolts are not supplied

For other materials please check: page 283

STAINLESS STEEL PRODUCTS

CONCEALED HINGE

395



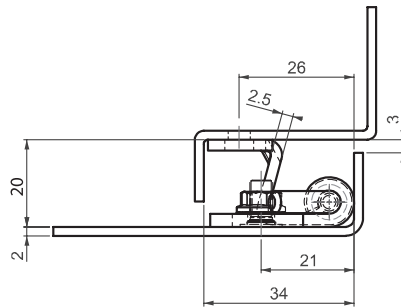
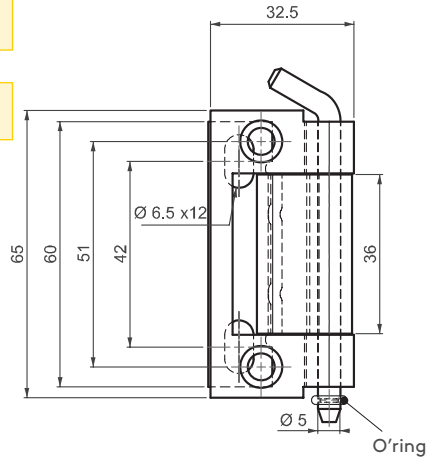
LH/RH

- For doors with a bend of between 20 mm and 24 mm
- Frame part screwed on, door part welded on
- Suitable for left- and right-hand applications

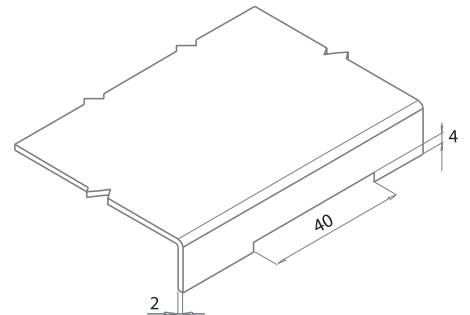
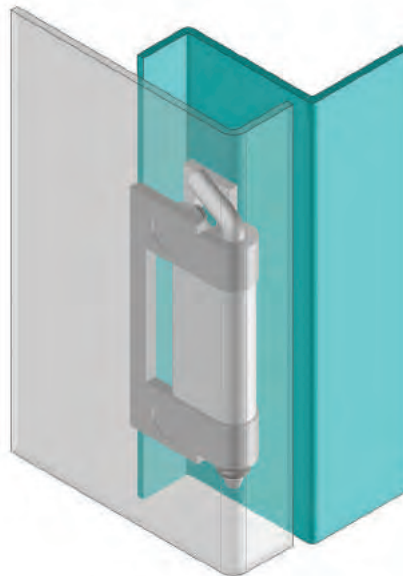
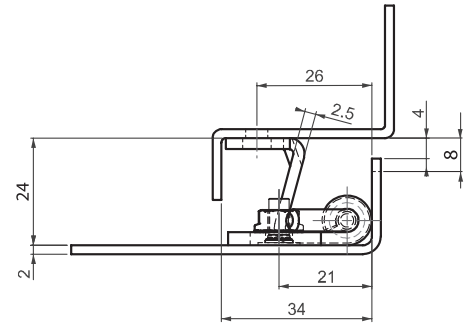
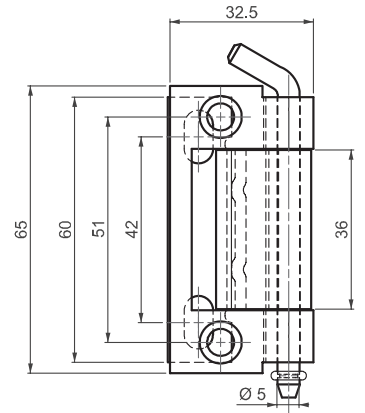
MATERIAL

BODY: Stainless Steel (AISI 304)
PIN: Stainless Steel (AISI 303)

V :1



V :2



Hinge Rotation Angle

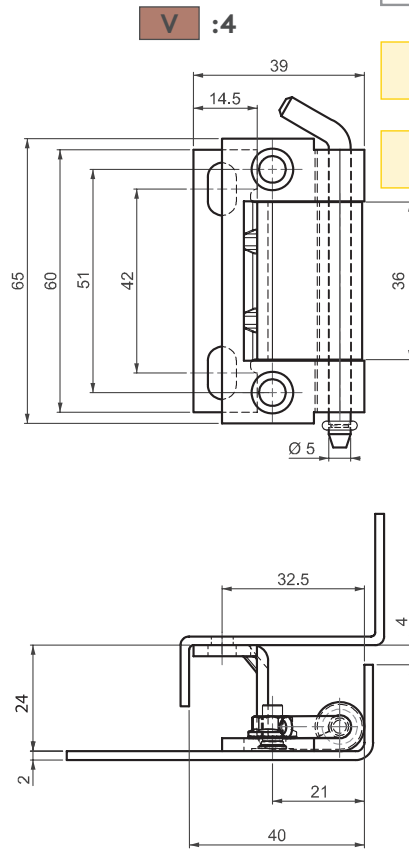
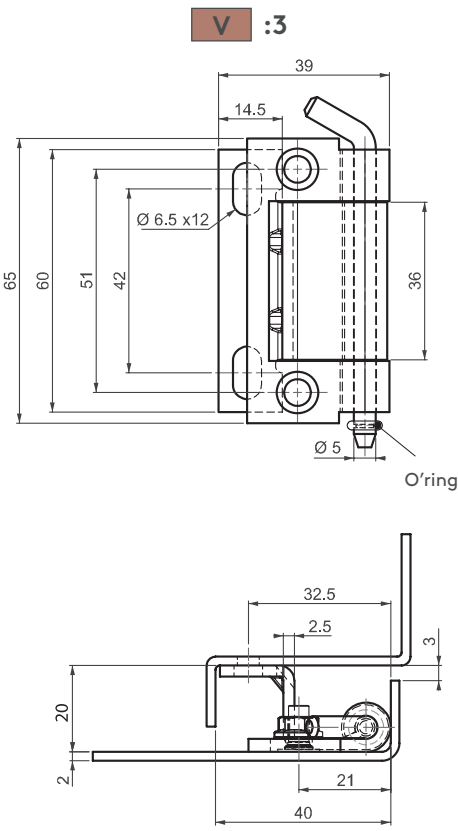


⚠ Note: Bolts are not supplied

For other materials please check:
page 284

PRODUCT CODE

395 - 4 - 0 - V
GROUP CODE MATERIAL FINISH VERSION



395

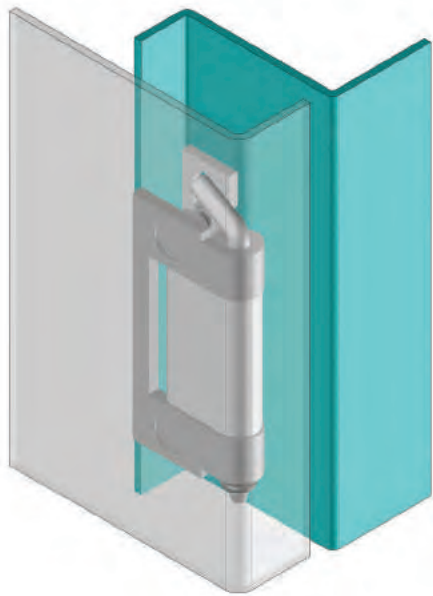
CONCEALED HINGE



LH/RH



MATERIAL
 BODY: Stainless Steel (AISI 304)
 PIN: Stainless Steel (AISI 303)



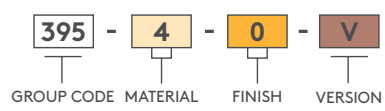
Hinge Rotation Angle



Note: Bolts are not supplied

For other materials please check:
 page 285

PRODUCT CODE



STAINLESS STEEL PRODUCTS

CONCEALED HINGE

695



LH/RH



- For doors with a bend of 18 mm
- Frame part screwed on, door part either welded on or screwed-on
- Suitable for left- and right-hand application

MATERIAL

BODY: Stainless Steel (AISI 304)
PIN: Stainless Steel (AISI 303)

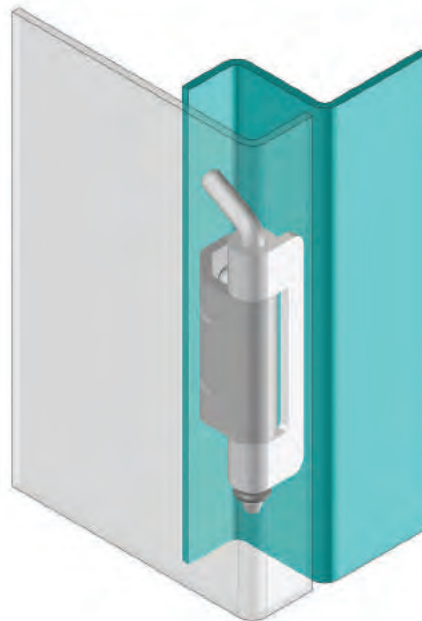
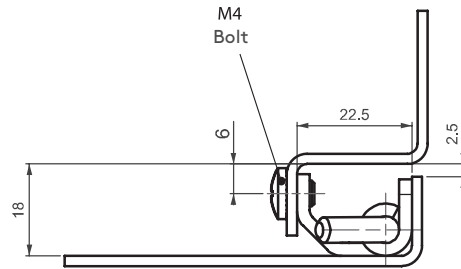
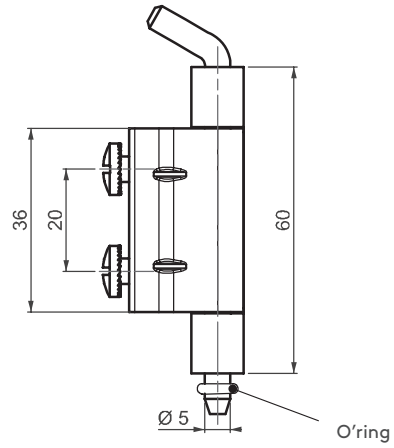
Hinge Rotation Angle



Note: Bolts are supplied

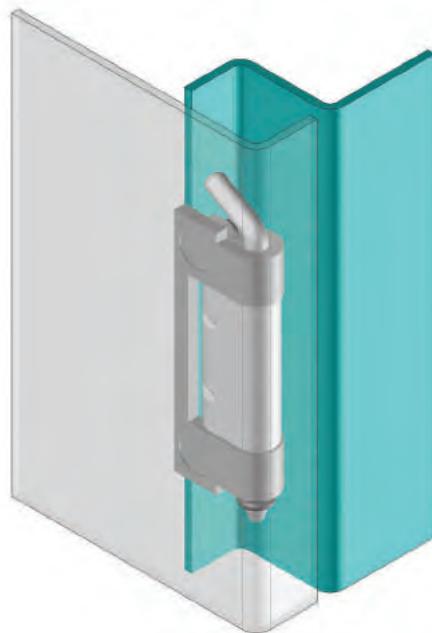
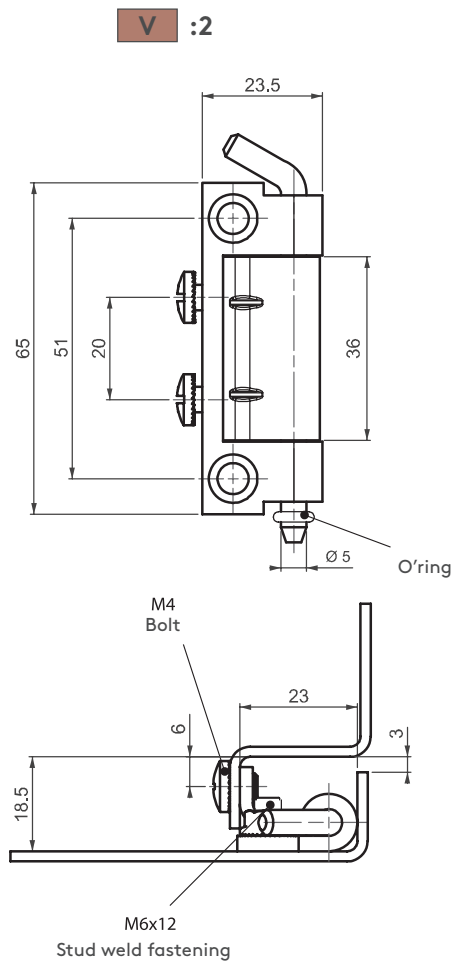
For other materials please check:
page 286

V :1



PRODUCT CODE

695 - 4 - 0 - 1
GROUP CODE MATERIAL FINISH VERSION



695

CONCEALED HINGE



LH/RH



- For doors with a bend of 18.5 mm
- Frame part screwed on, door part mounted by nut to welded stud on door
- Suitable for left- and right-hand applications

MATERIAL

BODY: Stainless Steel (AISI 304)
PIN: Stainless Steel (AISI 303)

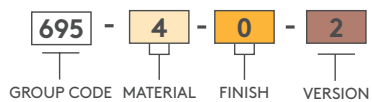
Hinge Rotation Angle



! Note: Bolts are supplied

For other materials please check: page 287

PRODUCT CODE



STAINLESS STEEL PRODUCTS

CONCEALED HINGE

795



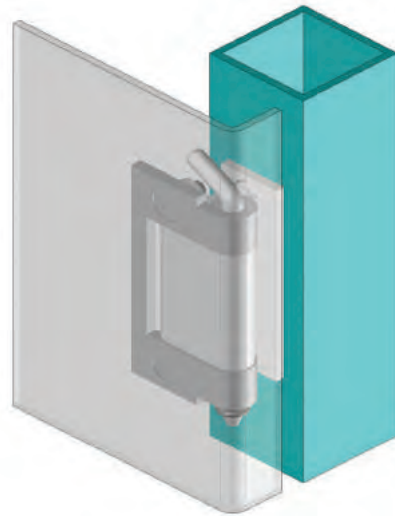
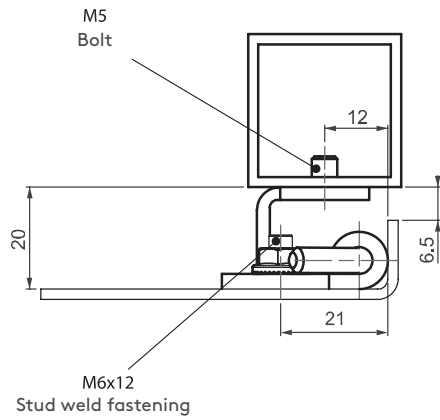
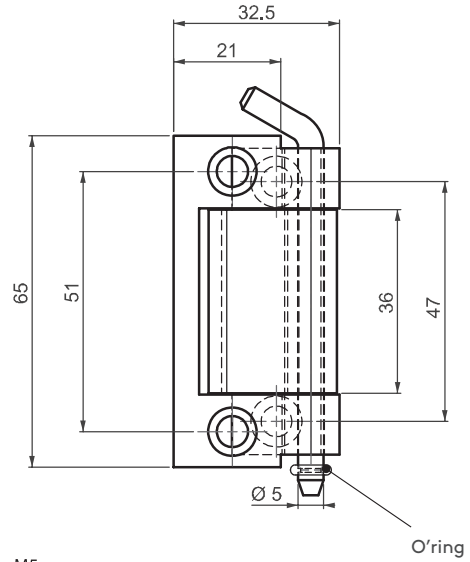
LH/RH



- For doors with a bend of 20 mm to fixed profiles
- Frame part screwed on, door part mounted by nut to welded stud on door
- Suitable for left- and right-hand applications

MATERIAL

BODY: Stainless Steel (AISI 304)
PIN: Stainless Steel (AISI 303)



Hinge Rotation Angle



⚠ Note: Bolts are not supplied

For other materials please check:
page 288

PRODUCT CODE

795 - 4 - 0
GROUP CODE MATERIAL FINISH



289

CONCEALED HINGE



LH

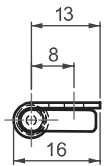
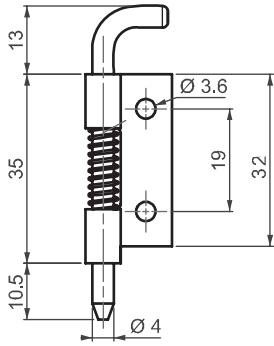
RH



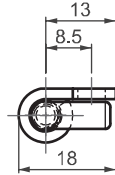
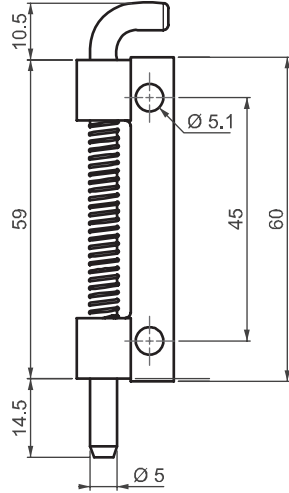
- For internally mounted doors
- Spring-loaded hinge for easy door removal
- Both versions either screwed or welded on
- Suitable for left- and right-hand applications

MATERIAL
 BODY: Stainless Steel (AISI 304)
 PIN: Stainless Steel (AISI 303)

V :1



V :2



Hinge Rotation Angle

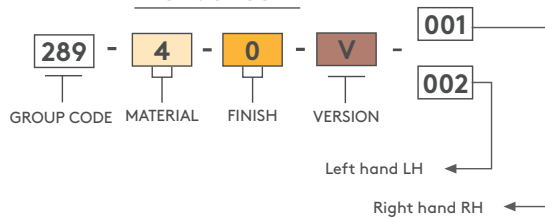


⚠ Note: Bolts are not supplied

⚠ Note: Assembled RH (as drawn)
 Assembled LH
 (mirror inverted)

For other materials please check:
 page 293

PRODUCT CODE



STAINLESS STEEL PRODUCTS

CONCEALED HINGE

095

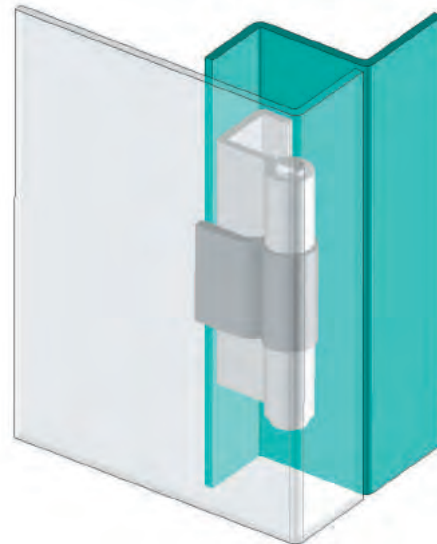
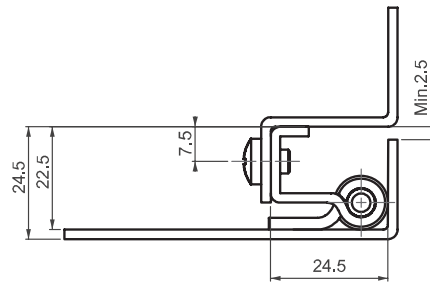
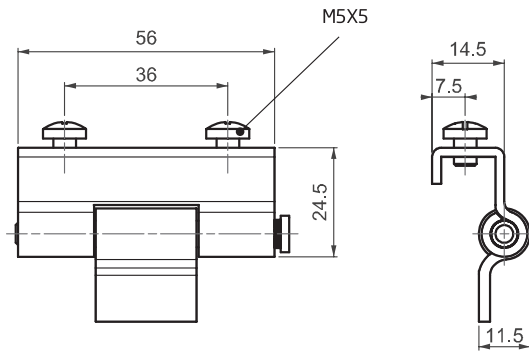


LH/RH



- For doors with a bend of 22.5 mm or more

MATERIAL
 BODY: Stainless Steel (AISI 304)
 PIN: Stainless Steel (AISI 303)



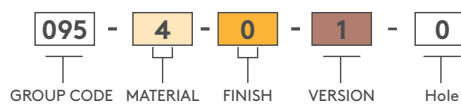
Hinge Rotation Angle

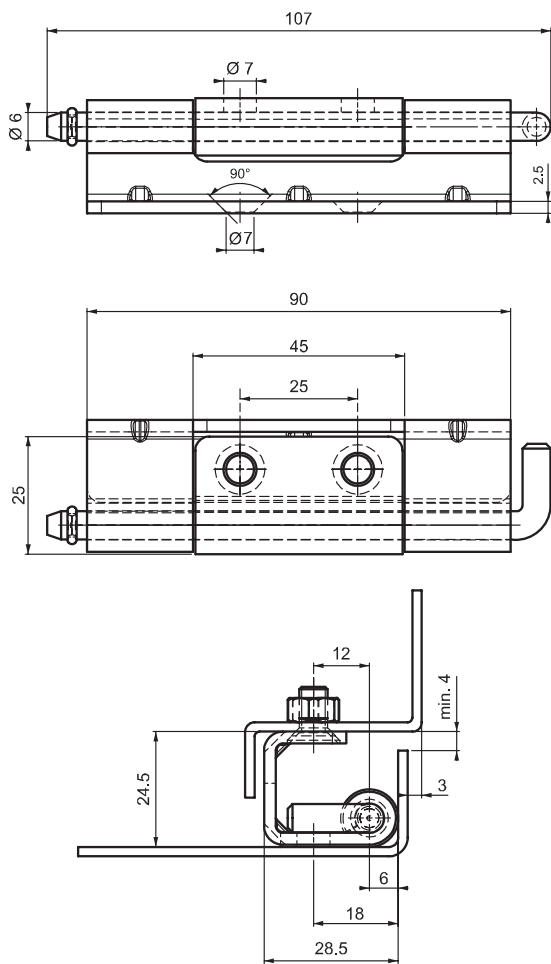


⚠ Note: Bolts are supplied

For other materials please check:
 page 274

PRODUCT CODE





995

CONCEALED HINGE



LH/RH

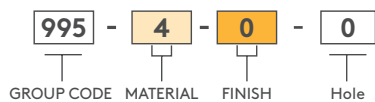


- Side part can be mounted with M5 screws
- Centre part copper plated for easy welding
- Suitable for heavy-duty applications
- Suitable for 25 mm door bend cabinets

MATERIAL

BODY: Stainless Steel (AISI 304)
PIN: Stainless Steel (AISI 303)

PRODUCT CODE



⚠ Note: Bolts are not supplied

For other materials please check: page 278

CORNER HINGE

097



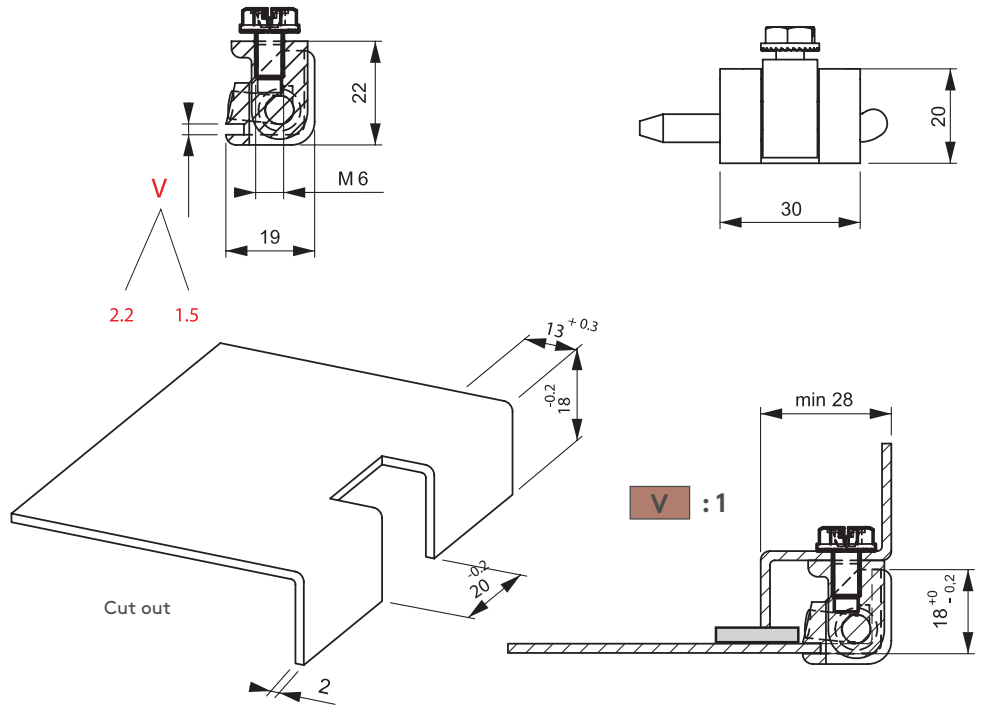
- Corner hinge
- Suitable for steel panels with a thickness of between 1.0 mm and 2.2 mm
- Hinge pin available in three types

APPLICATIONS

Small electric panels

MATERIAL

FIXED, MOVABLE PARTS: Stainless Steel
PIN: Stainless steel or Poliasetal (Delrin)



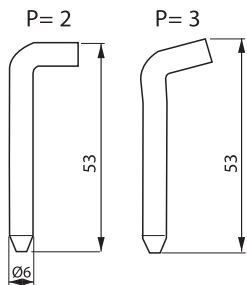
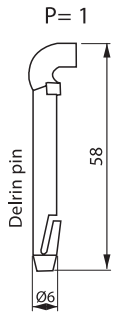
V : 15

For 1.0 mm - 1.2mm thickness panel
(097 4-0-P-15)

V : 22

For 1.5 mm - 2 mm thickness panel
(097 4-0-P-22)

Hinge Rotation Angle



For other materials please check:
page 302



PRODUCT CODE

097 - 4 - 0 - P - V
GROUP CODE MATERIAL FINISH PIN VERSION



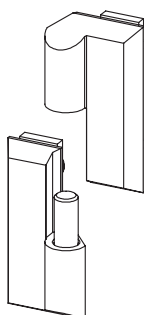
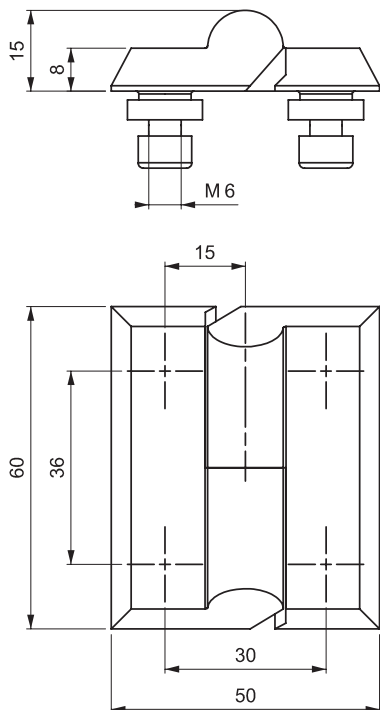
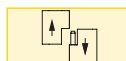
3599

LIFT-OFF HINGE



LH

RH

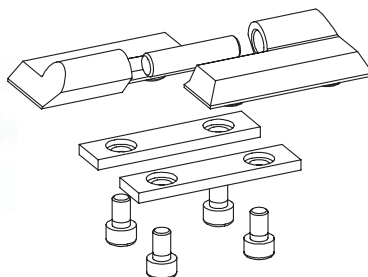
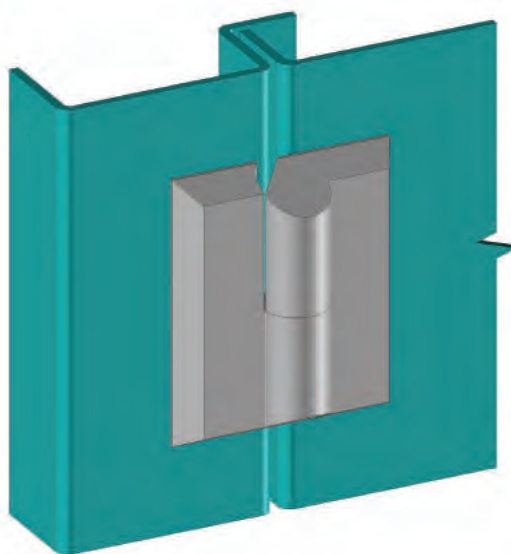


- Concealed mounting screws prevent external access to hinge
- Designed for plain/flush-mounted doors
- Suitable for left- and right-hand applications

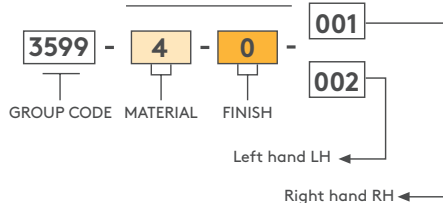
MATERIAL

BODY: Stainless Steel (AISI 316)

PIN: Stainless Steel (AISI 303)



PRODUCT CODE



STAINLESS STEEL PRODUCTS

LEAF HINGE

600

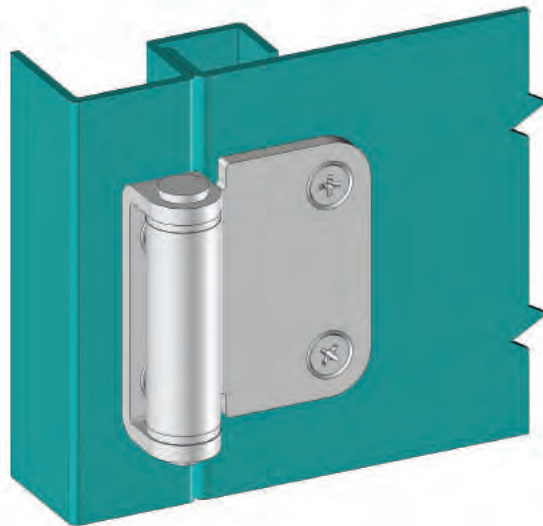
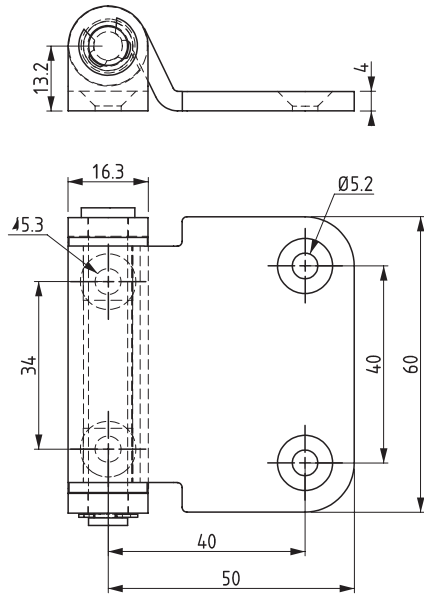


LH/RH

- Designed for plain/flush-mounted doors.

MATERIAL

BODY: Stainless Steel (AISI 316)
PIN: Stainless Steel (AISI 303)

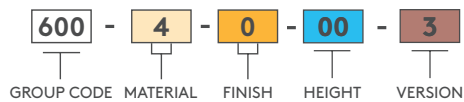


Hinge Rotation Angle

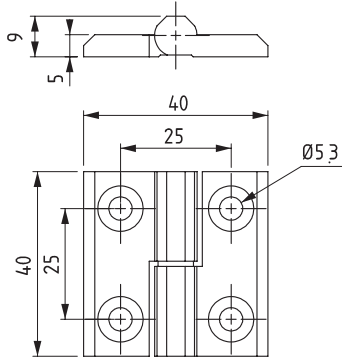


For other materials please check:
page 351

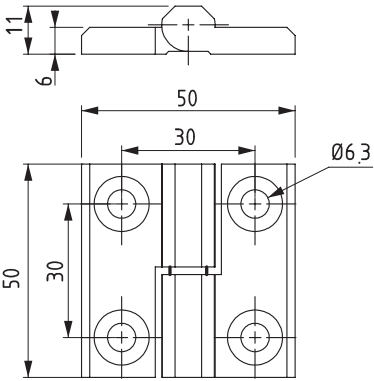
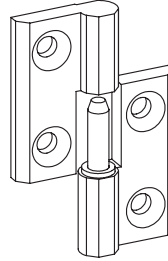
PRODUCT CODE



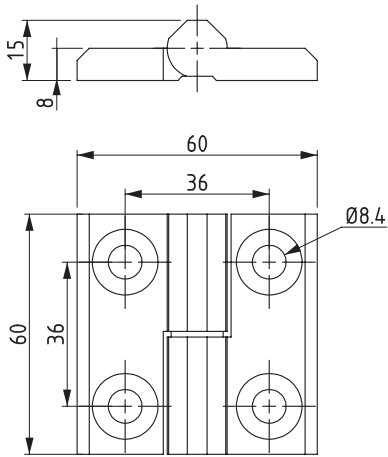
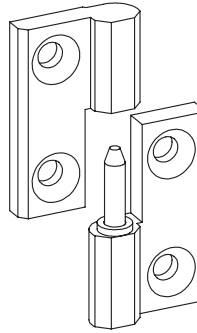
LIFT-OFF HINGE



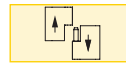
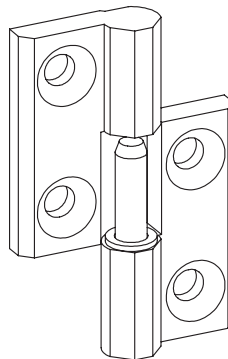
GROUP CODE: 3299



GROUP CODE: 3099



GROUP CODE: 3399



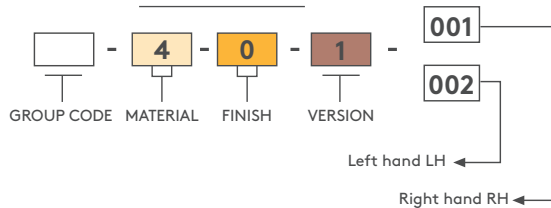
- Lift off hinge
- Suitable for left- and right-hand applications
- Opening angle 270°

MATERIAL
Stainless Steel (AISI 316)

Hinge Rotation Angle



PRODUCT CODE



STAINLESS STEEL PRODUCTS

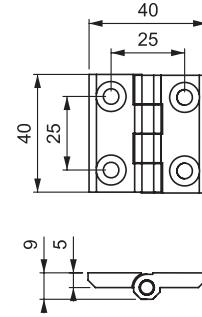
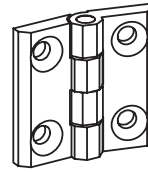
LEAF HINGE

299



LH/RH

V : 3



PRODUCT CODE

299 - 4 - 0 - 3
 GROUP CODE MATERIAL FINISH VERSION

- Generally used for plain/flush mounted doors
- Maximum hinge rotation 270°

MATERIAL
 Stainless Steel (AISI 316)

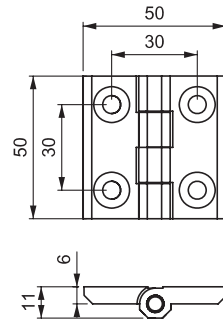
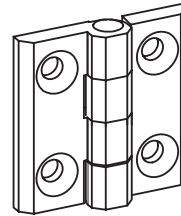
LEAF HINGE

099

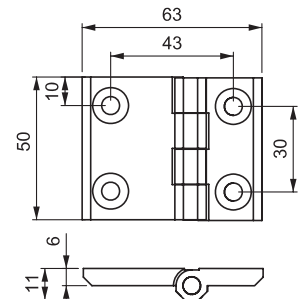
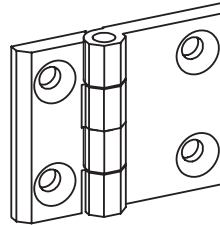


LH/RH

V : 4



V : 7



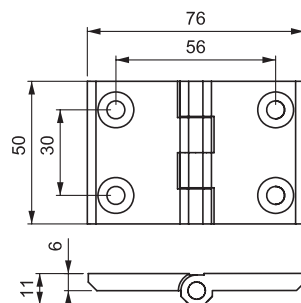
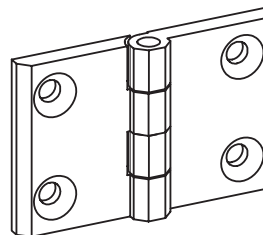
- Generally used for plain/flush mounted doors
- Maximum hinge rotation 270°

MATERIAL
 Stainless Steel (AISI 316)

Hinge Rotation Angle



V : 10



PRODUCT CODE

099 - 4 - 0 - V
 GROUP CODE MATERIAL FINISH VERSION

For other materials please check:
 page 326



399

LEAF HINGE



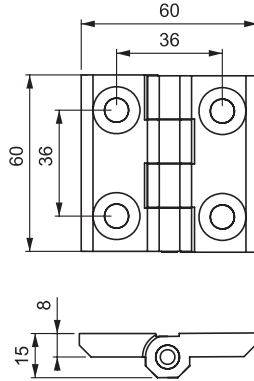
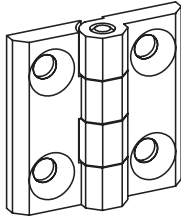
LH/RH



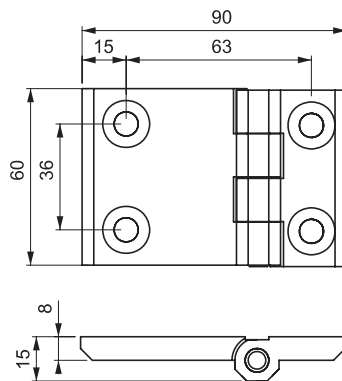
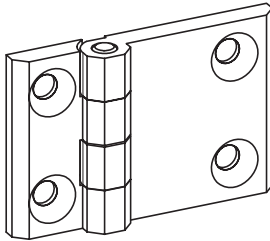
- Generally used for plain/flush-mounted, isolated heavy doors
- Available in three sizes, hole fixing:
 - 60 mm x 60 mm
 - 60 mm x 90 mm
 - 60 mm x 120 mm
- Maximum hinge rotation 270°

MATERIAL
Stainless Steel (AISI 316)

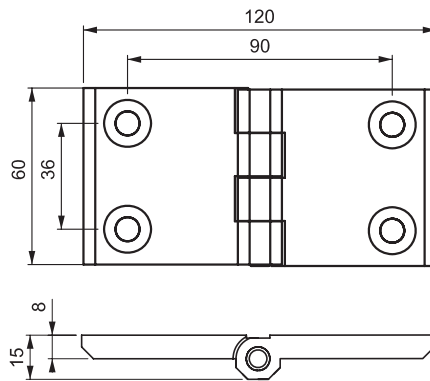
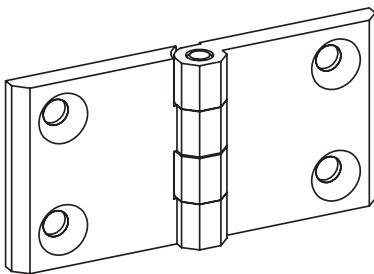
V : 4



V : 5



V : 6



Hinge Rotation Angle



PRODUCT CODE

399 - 4 - 0 - V
 GROUP CODE MATERIAL FINISH VERSION

For other materials please check: page 328

STAINLESS STEEL PRODUCTS

LEAF HINGE

099



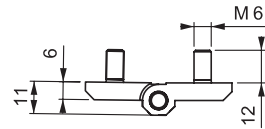
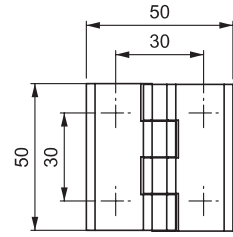
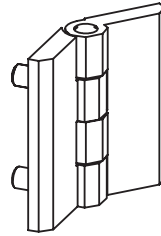
LH/RH



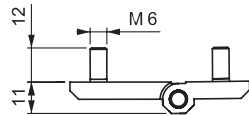
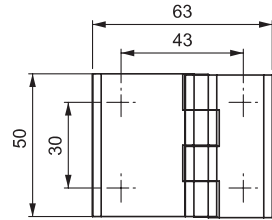
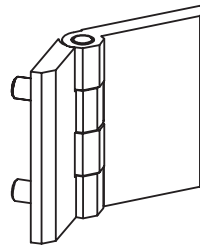
- Generally used for plain/flush mounted doors
- Maximum hinge rotation 270°
- Stud versions fitted with M6 x 12 mm threaded stud

MATERIAL
Stainless Steel (AISI 316)

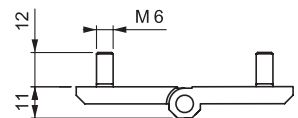
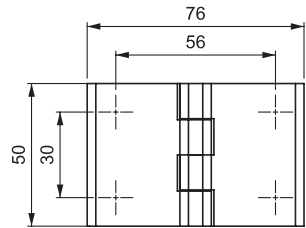
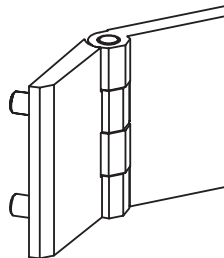
V :1



V :8



V :9



Hinge Rotation Angle



For other materials please check:
page 326

PRODUCT CODE

099 - 4 - 0 - V
 GROUP CODE MATERIAL FINISH VERSION



399

LEAF HINGE



LH/RH



- Generally used for plain/flush-mounted, isolated heavy doors
- Available in three sizes, stud fixing:
 - 60 mm x 60 mm
 - 60 mm x 90 mm
 - 60 mm x 120 mm
- Stud versions fitted with M8 x 14 mm threaded stud
- Maximum hinge rotation 270°

MATERIAL

Stainless Steel (AISI 316)

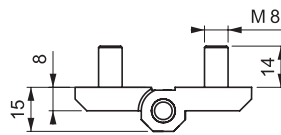
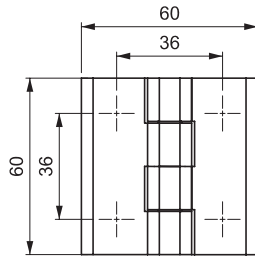
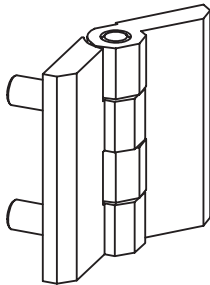
MATERIAL

Stainless Steel (AISI 316)

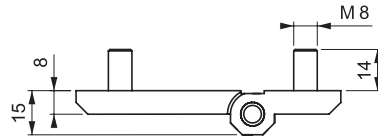
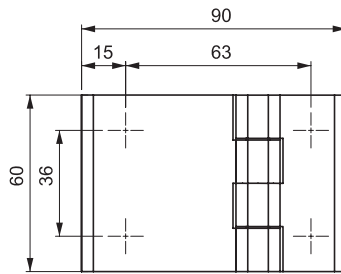
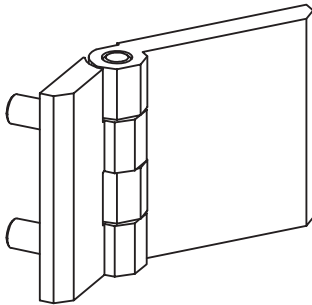
Hinge Rotation Angle



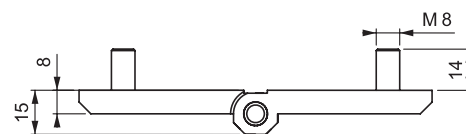
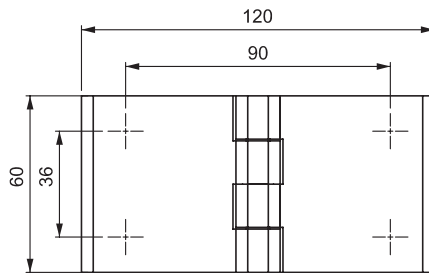
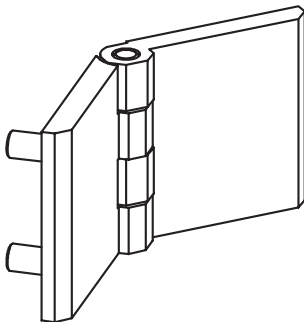
V :1



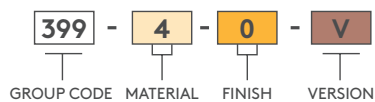
V :2



V :3



PRODUCT CODE



For other materials please check: page 328

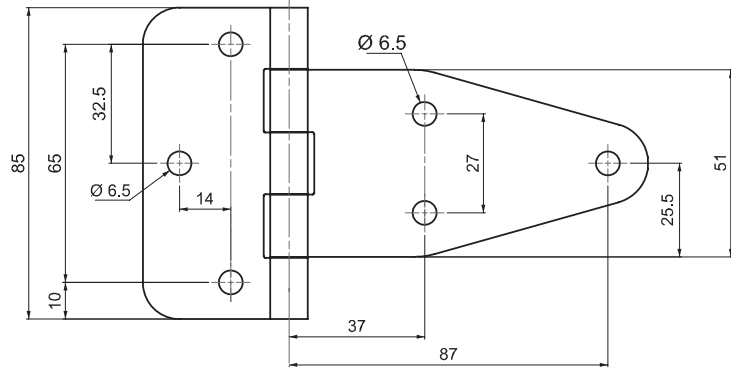
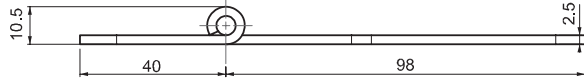
STAINLESS STEEL PRODUCTS

LEAF HINGE

599



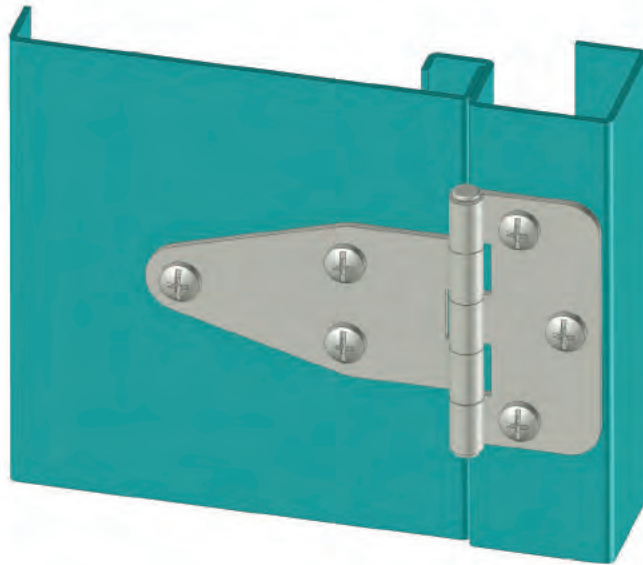
LH/RH



- Generally used for plain/flush-mounted, isolated, heavy doors
- Both parts attached by screws or nuts and bolts
- Hinge Rotation angle 180°

MATERIAL

BODY: Stainless Steel (AISI 304)
PIN: Stainless Steel (AISI 303)



Hinge Rotation Angle



For other materials please check:
page 337

PRODUCT CODE

599 - 4 - 0

GROUP CODE MATERIAL FINISH

799

LEAF HINGE



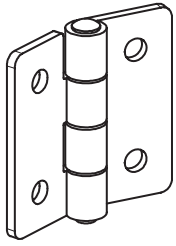
LH/RH



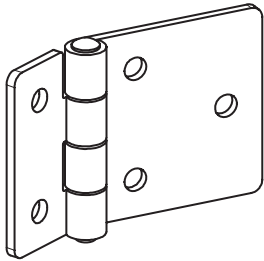
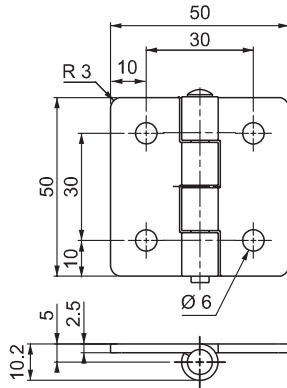
- Generally used for plain/flush-mounted, isolated, heavy doors

MATERIAL

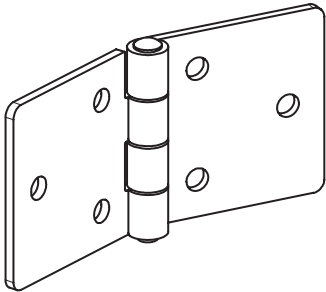
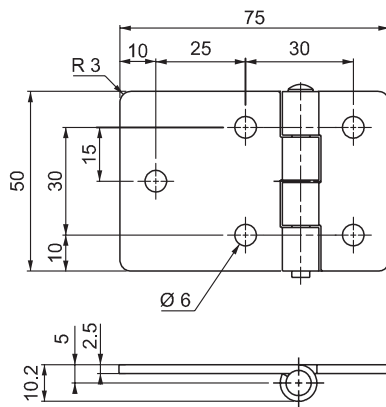
BODY: Stainless Steel (AISI 304)
PIN: Stainless Steel (AISI 303)



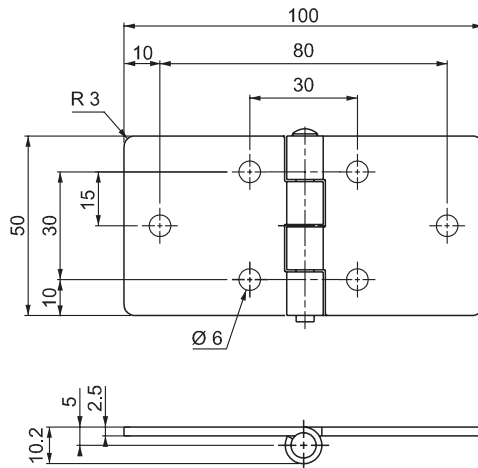
V :1



V :2



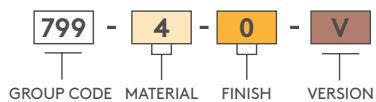
V :3



Hinge Rotation Angle



PRODUCT CODE



For other materials please check: page 340

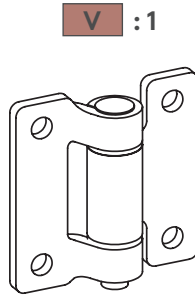
STAINLESS STEEL PRODUCTS

LEAF HINGE

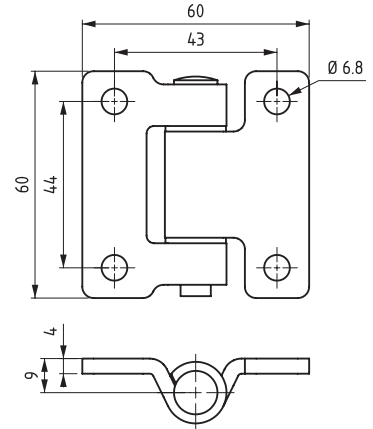
1599



LH/RH



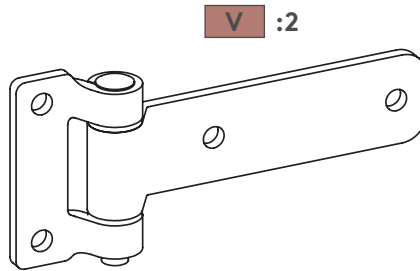
V :1



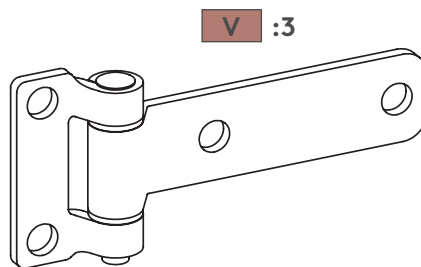
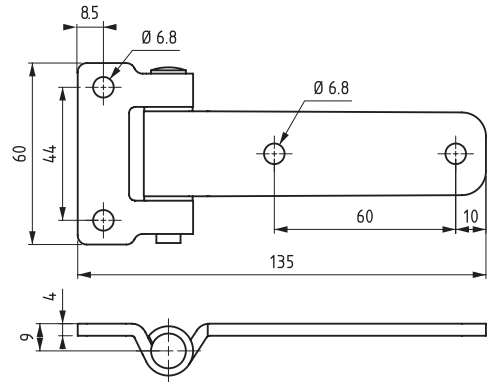
- Generally, used for plain/flush mounted, isolated, heavy doors.
- Both parts are attached by screws or nuts and bolts
- Hinge Rotation angle is 180°

MATERIAL

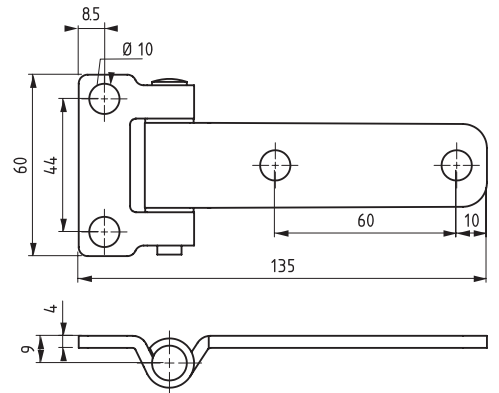
BODY: Stainless steel (AISI 304)
PIN: Stainless steel (AISI 303)



V :2

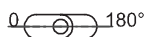


V :3



For other materials please check: page 338

Hinge Rotation Angle



Note: Bolts are not supplied

PRODUCT CODE

1599 - 4 - 0 - V

GROUP CODE MATERIAL FINISH VERSION

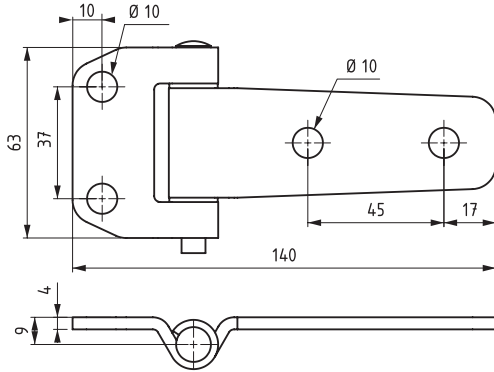
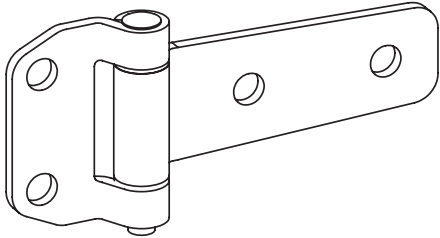


1599

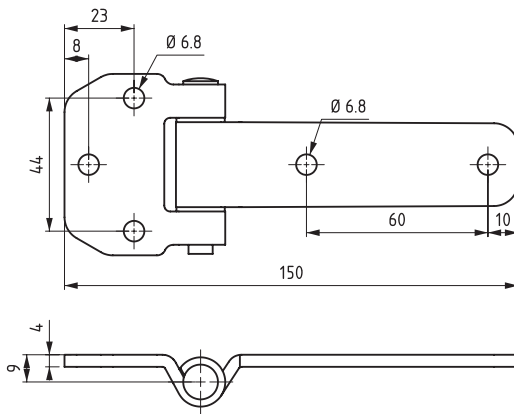
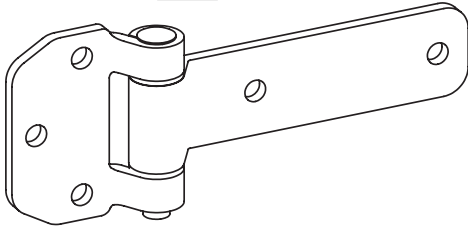
LEAF HINGE



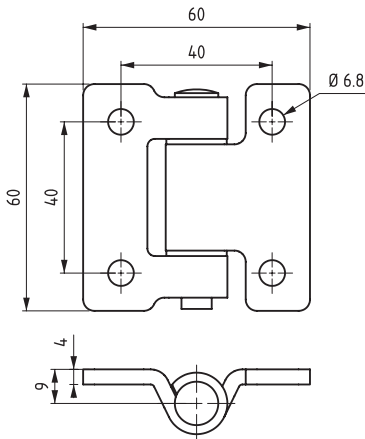
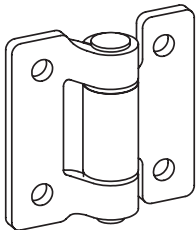
V : 4



V : 5



V : 6



- Generally, used for plain/ flush mounted, isolated, heavy doors.
- Both parts are attached by screws or nuts and bolts
- Hinge Rotation angle is 180°

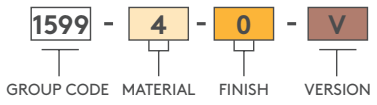
MATERIAL
 BODY: Stainless steel (AISI 304)
 PIN: Stainless steel (AISI 303)

For other materials please check: page 339

Hinge Rotation Angle



PRODUCT CODE



Note: Bolts are not supplied

STAINLESS STEEL PRODUCTS

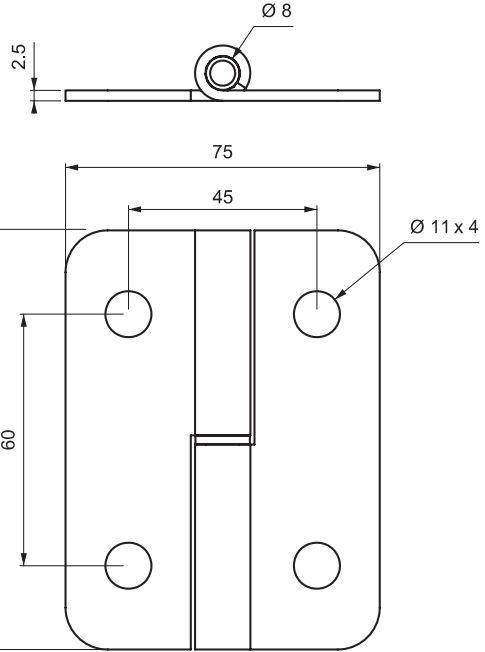
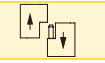
LEAF HINGE (Lift-off)

899



LH

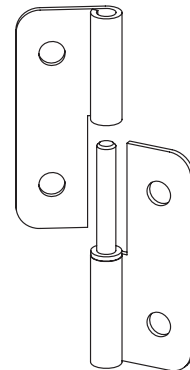
RH



- Heavy-duty, lift-off hinge, corrosion resistant
- Suitable for left- and right-hand applications
- Opening angle 180°

MATERIAL

BODY: Stainless Steel (AISI 304)
PIN: Stainless Steel (AISI 303)



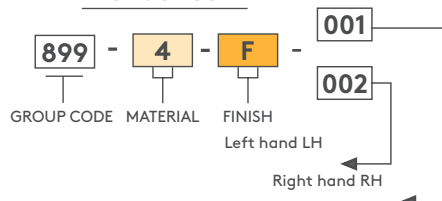
For other materials please check: page 335

Hinge Rotation Angle

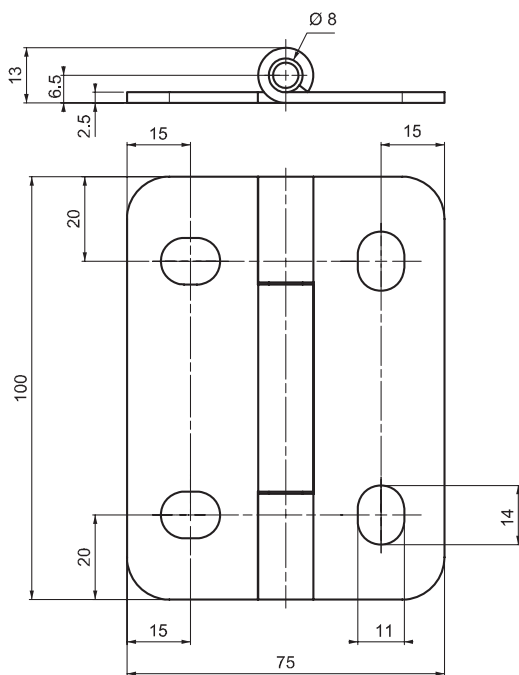


Note: Bolts are not supplied

PRODUCT CODE



FINISH	F
No finish	0
Black coated	2



999

LEAF HINGE (Lift-off)



LH/RH



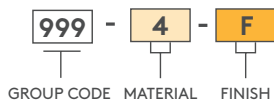
- Generally used for plain/flush-mounted doors
- Suitable for outdoor applications
- Opening angle 270°
- Body made of stainless steel

MATERIAL

BODY: Stainless Steel (AISI 304)
PIN: Stainless Steel (AISI 303)

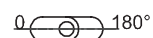


PRODUCT CODE



FINISH	F
No finish	0
Black coated	2

Hinge Rotation Angle



Note: Bolts are not supplied

STAINLESS STEEL PRODUCTS

LEAF HINGE

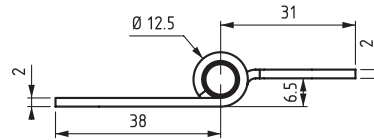
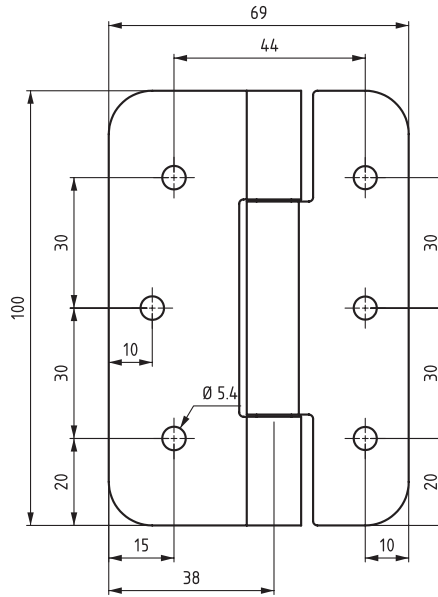
2999



LH/RH

- Generally used for plain/flush-mounted, isolated, heavy doors

MATERIAL
 BODY: Stainless Steel (AISI 304)
 PIN: Stainless Steel (AISI 303)



Hinge Rotation Angle

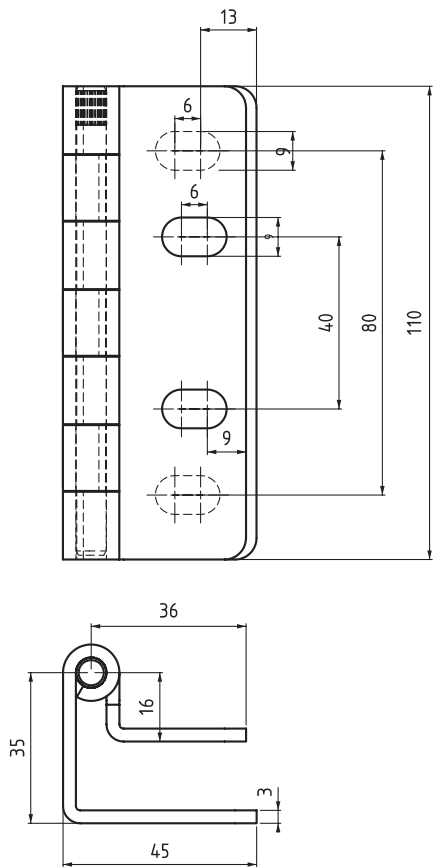


! Note: Bolts are not supplied

PRODUCT CODE

2999 - 4 - 0

GROUP CODE MATERIAL FINISH



2890

CONCEALED HINGE



LH/RH

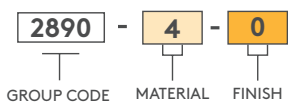


- Suitable for outdoor applications
- Heavy-duty hinge

MATERIAL

BODY: Stainless Steel (AISI 304)
PIN: Stainless Steel (AISI 303)

PRODUCT CODE



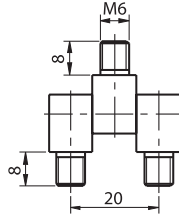
STAINLESS STEEL PRODUCTS

SIDE HINGE (10 mm)

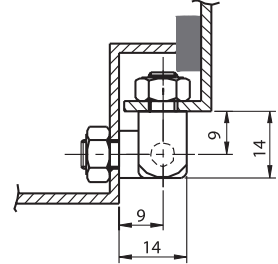
090



LH/RH



Hinge Rotation Angle



- Side mounted hinge
- Three 10 mm Stainless steel parts supplied separately
- For different dimensions contact Essentra

MATERIAL

Stainless Steel (AISI 303/304)

PRODUCT CODE

090 - 4 - 0
 GROUP CODE MATERIAL FINISH

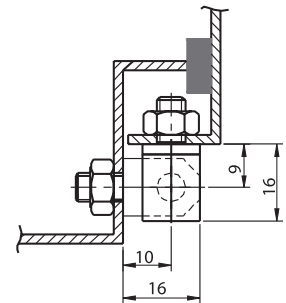
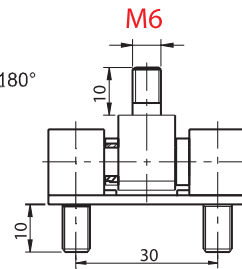
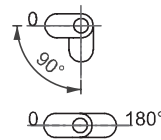
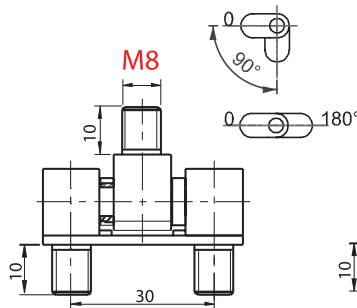
SIDE HINGE (12 mm)

092



LH/RH

Hinge Rotation Angle



- Side mounted hinge
- 12 mm parts and stainless steel bearings
- Parts are assembled by fixing plate
- For different dimensions, please contact Essentra
- 90° and 180° angle versions are available

MATERIAL

Stainless Steel (AISI 303/304)

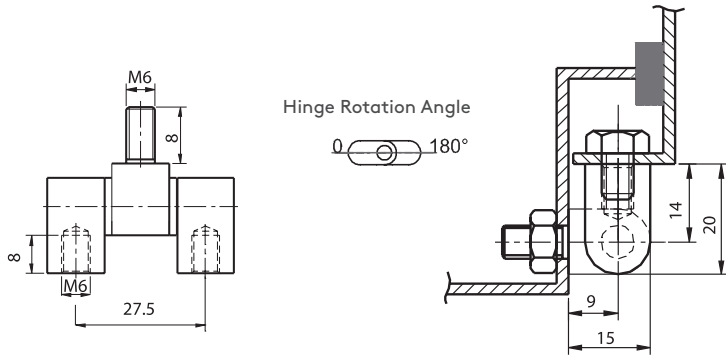
M8 → 092 M-F- 8-90°
 092 M-F -8-180°

M6 → 092 M-F- 6-90°
 092 M-F- 6-180°

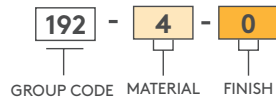
PRODUCT CODE

092 - 4 - 0
 GROUP CODE MATERIAL FINISH

For other materials please check: page 254



PRODUCT CODE



192

SIDE HINGE (12 mm)



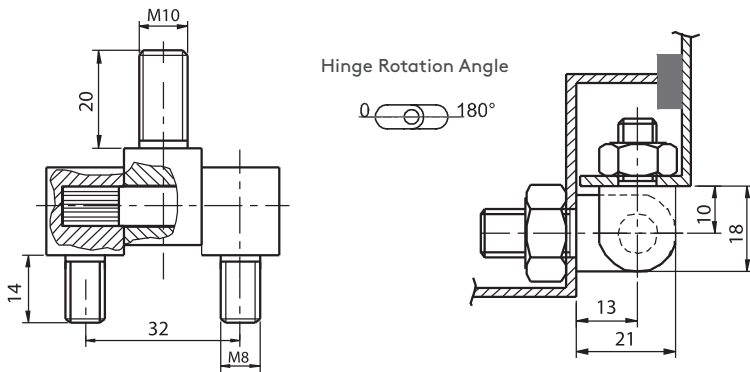
LH/RH



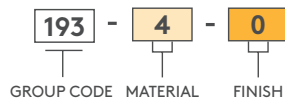
- Side-mounted hinge
- 12 mm parts and bearings made of stainless steel
- Parts are tightly fitted

MATERIAL

Stainless Steel (AISI 303/304)



PRODUCT CODE



193

SIDE HINGE (16 mm)



LH/RH



- Side-mounted hinge
- 16 mm parts made of stainless steel
- Parts are tightly fitted.

MATERIAL

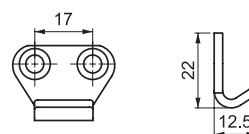
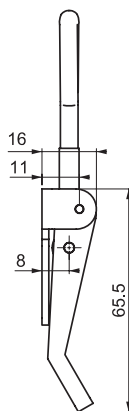
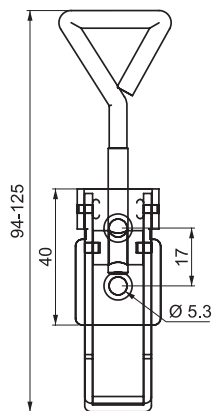
Stainless Steel (AISI 303/304)

For other materials please check: page 255

STAINLESS STEEL PRODUCTS

TOGGLE LATCH

340.00.134



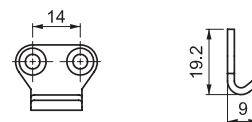
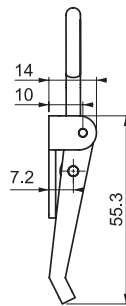
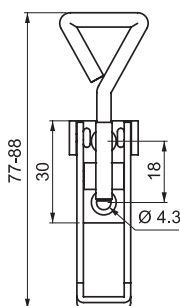
Catch plate

- Used for: tool boxes, cabinets, ships, agriculture and material equipments

MATERIAL
Stainless Steel (AISI 304)

TOGGLE LATCH

340.00.132



Catch plate

- Used for: tool boxes, cabinets, ships, agriculture and material equipments

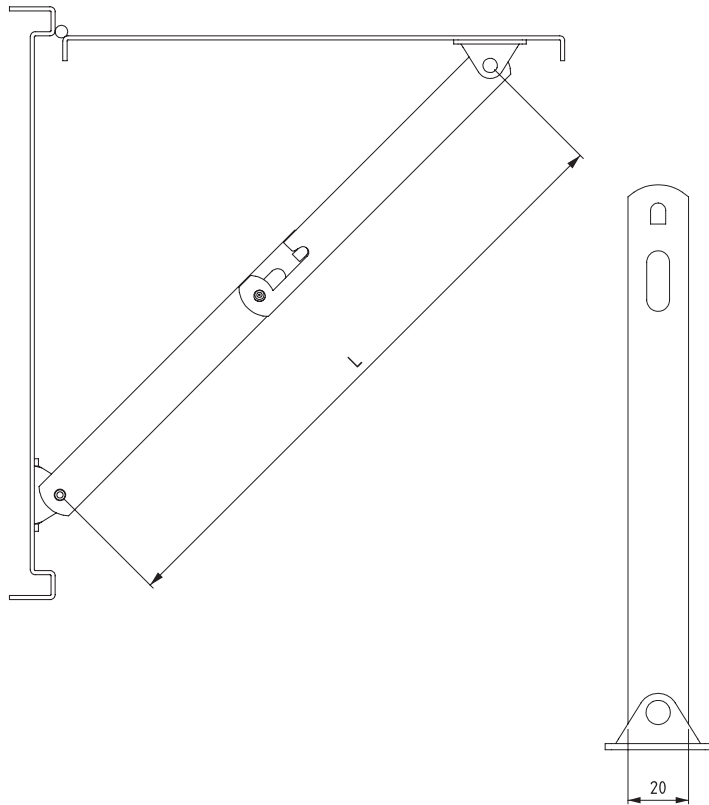
MATERIAL
Stainless Steel (AISI 304)

For other materials please check:
page 404



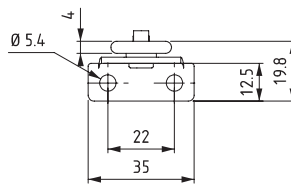
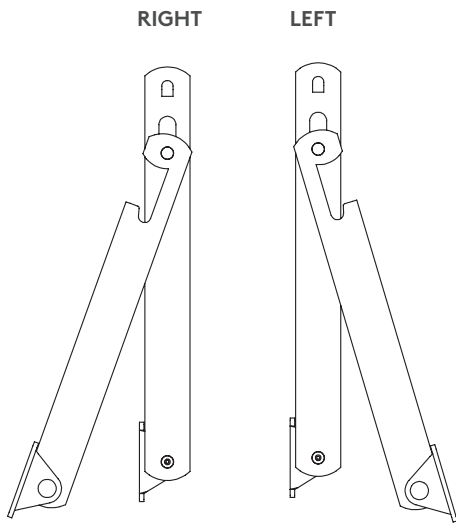
279

COVER STAY



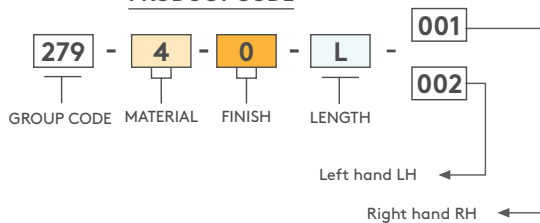
- Suitable for heavy-duty applications
- Manufacture using 4 mm thick steel

MATERIAL
Stainless Steel (AISI 304)



Lmm
292
202
135

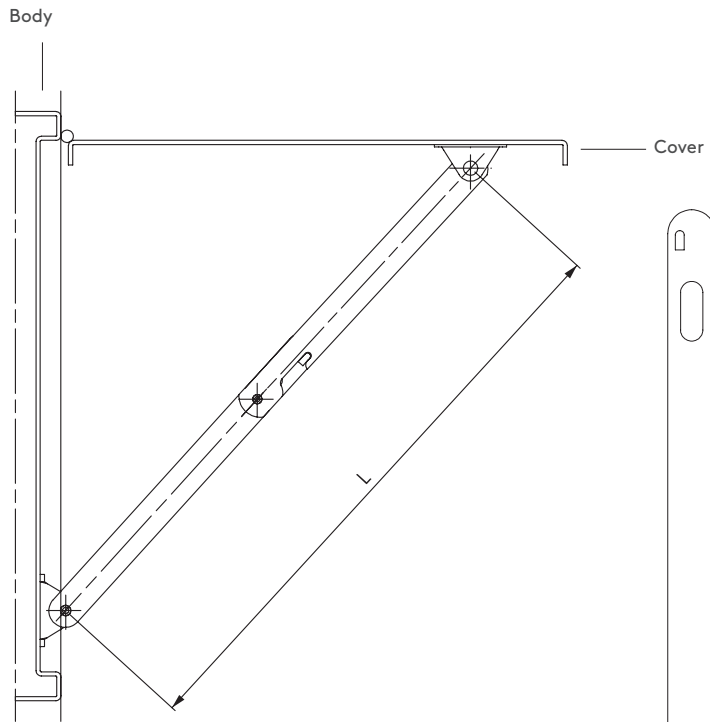
PRODUCT CODE



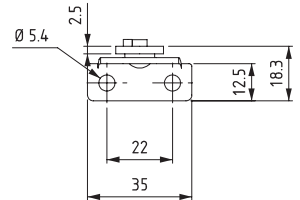
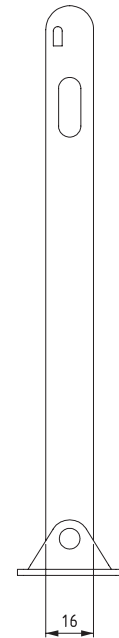
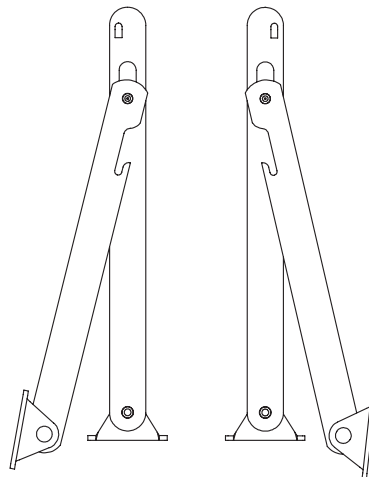
For other materials please check: page 411

COVER STAY

079



LEFT RIGHT

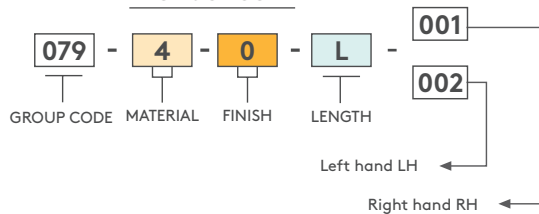


Lmm
292
202
135

MATERIAL
Stainless Steel (AISI 304)

For other materials please check:
page 412

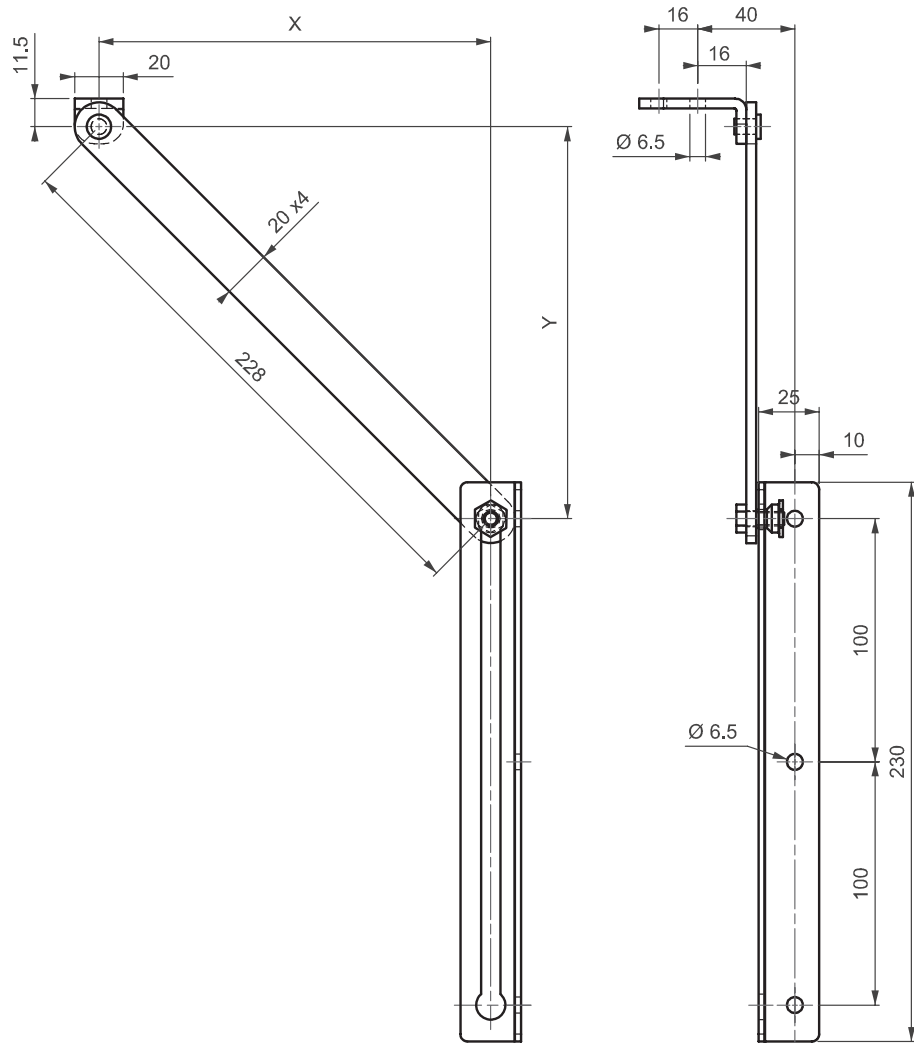
PRODUCT CODE





179

COVER STAY



- Cover Stay with automatic lock to keep the door open
- suitable for left- and right-hand application

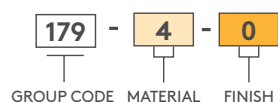
MATERIAL
Stainless Steel (AISI 304)

Installation dimensions

OPENING ANGLE	DIMENSIONS		MINIMAL DOOR WIDTH
	X	Y	
140°	140	180	403
120°	120	166	389
110°	110	150	373
100°	100	146	369

For other configurations:
 $y = X + \text{min.}40$

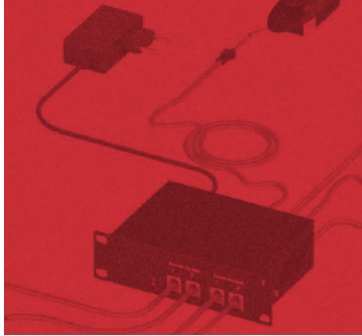
PRODUCT CODE



For other materials please check: page 413

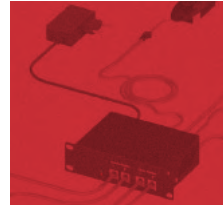


ELECTRONIC LOCKING SYSTEM



ELECTRONIC LOCKING SYSTEM

GROUP CODE	PRODUCT NAME
3401	MAIN CONTROL UNIT (MCU)
3403	ACCESS CONTROL UNIT (ACU PLUS)
3402	ACCESS CONTROL UNIT (ACU)
3416	STANDALONE ACCESS INTERFACE (S-AIK) - KEYPAD
3417	STANDALONE ACCESS INTERFACE (S-AIP) - PROXIMITY
3414	ACCESS INTERFACE (AIK) - KEYPAD
3415	ACCESS INTERFACE (AIP) - PROXIMITY
	ACCESSORIES
340.0.26XX	ANALOG SENSORS
3101	ELECTRONIC SWINGHANDLE
3102	ELECTRONIC SWINGHANDLE
3103	ELECTRONIC SWINGHANDLE
3104	ELECTRONIC SWINGHANDLE
3105	ELECTRONIC SWINGHANDLE
3106	ELECTRONIC SWINGHANDLE
3341	ELECTRONIC KEEPER
3311	SOLENOID LOCK
3202	ELECTRONIC CABINET LOCK
3203	ELECTRONIC CABINET LOCK
3201	ELECTRONIC CABINET LOCK
3301	ELECTRONIC CABINET LOCK



ESSENTRA

PAGE	
486	
487	
488	
489	
489	
490	
490	
490	
491	
492	
493	
494	
495	
496	
497	
498	
499	
500	
501	
502	
503	



MONITORING & ACCESS CONTROL CONCEPT

The security of IT cabinets in server rooms and data centres is becoming more important worldwide. The reason is that a typical IT infrastructure supports the entire organization and stores the know how of the company.

We have developed an integrated access control system called ELS.

This new system enables you to monitor and control your IT environment in a very efficient way. Sensors detect door access, variations in temperature, security and other variables to give you immediate notification and greater control over your network, all at a great value. Cabinet doors can be opened by RFID cards, a key pad or remote control units.

This solution manages who can open which cabinet doors and when and allows you to get a detailed report for each cabinet.

Basic features

- Provides environmental monitoring, access control and a management system
- Prevents unauthorized access
- Allows doors to be opened using a proximity card, keypad or via a web interface
- Accommodates sensors to monitor temperature, humidity, smoke, the presence of water or liquids, etc.
- Automatically generates an audio alert
- Records all the security information you need every time the door to a server cabinet is opened – whom, where, when



Applications

- Server cabinets
- Data centres
- Electric panels
- Telecommunications
- Kiosks
- GSM Cabinets



SYSTEM OVERVIEW

- IP monitoring of environmental conditions in the rack cabinet
- Control of physical access to the rack cabinet
- User interface via proximity card reader or keypad
- Electronic lock access authorisation

Monitoring and Access Control Units



- MCU : Main Control Unit
- ACU : Access Control Unit
- ACU Plus : Access Control Unit
- AIK : Access Interface Keypad
- AIP : Access Interface Proximity

Standalone Access Interfaces



- S-AIK: Access Interface Keypad
- S-AIP: Access Interface Proximity

Electronic Swinghandles



Other Electromechanical Locks



ELECTRONIC LOCKING SYSTEM

MCU - MAIN CONTROL UNIT

3401



- | | |
|------------------------------|--|
| 1 ▶ Ethernet port 10/100 | 7 ▶ 2 x electronic swinghandles (3101, 3102, 3103, 3104) |
| 2 ▶ USB 2.0 | 8 ▶ Power input (12VDC 3A) |
| 3 ▶ 8 x analog sensor inputs | 9 ▶ 4 x relay outputs (10A) |
| 4 ▶ LED indicators | 10 ▶ 2 x dry contact outputs (2A) |
| 5 ▶ 2 x access interfaces | 11 ▶ 8 x dry contact inputs |
| 6 ▶ 2 x lock outputs | 12 ▶ 1 - wire sensor port |

The main control unit is an intelligent device for monitoring environmental variations, such as temperature, humidity, smoke, presence of water or liquids, etc. When a sensor goes out of range of a configurable threshold, the unit will notify you via email or network management.

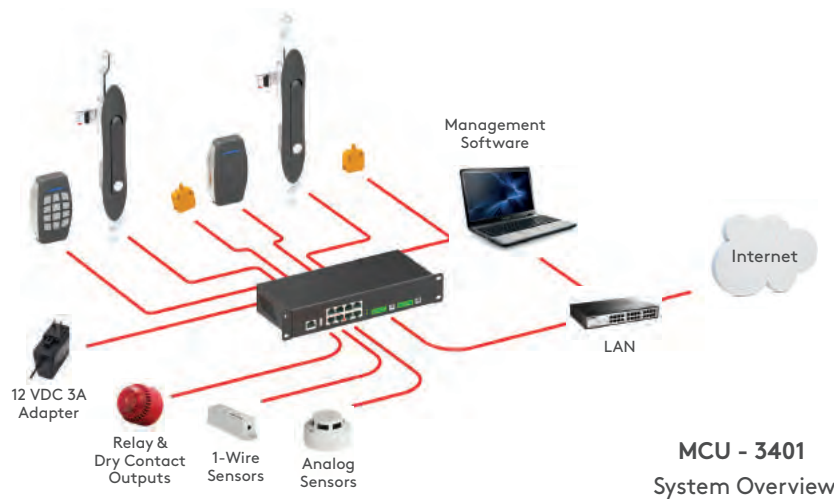
- Monitors and manages environmental and security conditions over IP
- Management software for monitoring and configuring the unit
- Creates alert with customized input parameters
- Alerts are sent using email when any monitored environmental condition exceeds a user-specified range
- Works with a wide range of sensors
- Control of physical access to the rack cabinet
- User database
- Up to two AIs (3414 and 3415) can be connected to MCU.

MANAGEMENT SOFTWARE

- Configure sensor thresholds, set automatic operation and alarm rules
- Monitor current sensor values and alarm status
- Configure network settings (IP address, subnet mask, default gateway, DNS, etc.) and user-administrative settings
- Add and remove users
- View and delete the logs

APPLICATIONS

Suitable for data centres, co-location centres, web hosting facilities, telecom racks or any unmanned area/site that needs to be monitored



MCU - 3401
System Overview

Relay Outputs

- 4 x relay outputs to control, switch on/off external devices such as fan, etc.
- Outputs can be used as a NO (Normally Open) or NC (Normally Closed).

Dry Contact Outputs

- 2 x dry contact outputs to control, switch on/off external low power devices.
- Outputs can be used as a NO (Normally Open) or NC (Normally Closed).

Dry Contact Inputs

- Dry contact inputs to monitor changes in the environment.
- Inputs can be used as sensor input such as detecting the state of the door (open/closed)

Analog Sensors

- 8 x analog sensor outputs to monitor environmental conditions.
- All types of Essentra analog sensors can be connected.

1 - Wire Sensors

- 1 - wire sensor output to monitor environmental conditions.
- Possible to connect DS18B20 and DS1190 1 - wire sensors.

Access Interfaces

- 2 x access interface inputs allow access by entering a code number or presenting a proximity card.
- Possible to connect 3414 - AIK and 3415 - AIP devices.

Lock Outputs

- 2 x lock outputs to control physical access to the cabinet.
- Possible to connect wide range of locks.

Swinghandles

- 2 x electronic swinghandles to control physical access to the cabinet.
- Possible to connect electronic swinghandles 3101, 3102, 3103 and 3104.



3403

ACU PLUS ACCESS CONTROL UNIT



The ACU Plus is an intelligent device for monitoring environmental variations, such as temperature, humidity, smoke, presence of water or liquids, etc. and controlling electronic locks and monitoring door status.

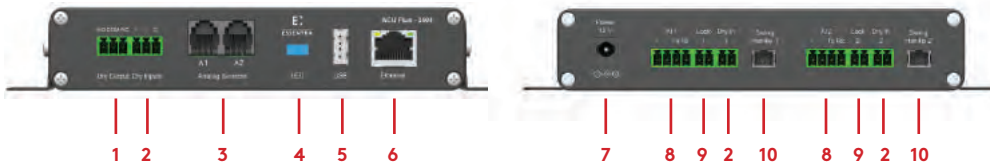
- Control of physical access to the rack cabinet
- Monitors and manage environmental and security conditions over IP
- Alerts are sent using email when any monitored environmental condition exceeds a user-specified range
- User database
- Management software for monitoring and configuring the unit
- A sensor for detecting the state of the door (open/closed) can be connected
- Up to two AIs (3414 and 3415) can be connected to ACU Plus.

MANAGEMENT SOFTWARE

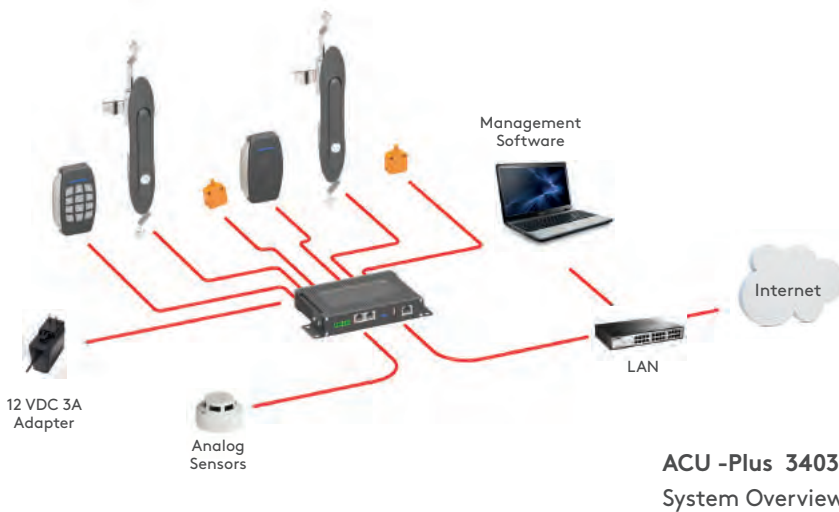
- Configure sensor thresholds, set automatic operation and alarm rules
- Monitor current sensor values and alarm status
- Configure network settings (IP address, subnet mask, default gateway, DNS, etc.) and user-administrative settings
- Add and remove users
- View and delete the logs

APPLICATIONS

Suitable for data centres, co-location centres, web hosting facilities, telecom racks or any unmanned area/site that needs to be monitored



- 1 ▶ Dry contact output (2A)
- 2 ▶ 4 x dry contact inputs
- 3 ▶ 2 x analog sensors
- 4 ▶ LED indicator
- 5 ▶ USB 2.0
- 6 ▶ Ethernet port 10/100
- 7 ▶ Power input (12VDC 3A)
- 8 ▶ 2 x access interface inputs
- 9 ▶ 2 x lock outputs
- 10 ▶ 2 x electronic swinghandles (3101, 3102, 3103, 3104)



Dry Contact Output

- Dry contact outputs to control, switch on/off external low power devices.
- Output can be used as a NO (Normally Open) or NC (Normally Closed).

Dry Contact Inputs

- Dry contact inputs to monitor changes in the environment.
- Inputs can be used as sensor input for detecting the state of the door (open/closed)

Analog Sensors

- 2 x analog sensors outputs to monitor environmental conditions.
- All types of Essentra analog sensors can be connected.

Access Interfaces

- 2 x access interface inputs allow access by entering a code number or presenting a proximity card.
- Possible to connect 3414 - AIK and 3415 - AIP devices.

Lock Outputs

- 2 x lock outputs to control physical access to the cabinet.
- Possible to connect wide range of locks.

Swinghandles

- 2 x electronic swinghandles to control physical access to the cabinet.
- Possible to connect electronic swinghandles 3101, 3102, 3103 and 3104.

▶ ELECTRONIC LOCKING SYSTEM

ACU ACCESS CONTROL UNIT

3402



The ACU is an intelligent device for controlling electronic locks and monitoring door status.

- Control of physical access to the rack cabinet
- Monitors and manage security conditions over IP
- User database
- Management software for monitoring and configuring the unit
- A sensor for detecting the state of the door (open/closed) can be connected
- Up to two AIs (3414 and 3415) can be connected to ACU.

MANAGEMENT SOFTWARE

- Configure network settings (IP address, subnet mask, default gateway, DNS, etc.) and user-administrative settings
- Add and remove users
- View and delete the logs

APPLICATIONS

Suitable for data centres, co-location centres, web hosting facilities, telecom racks or any unmanned area/site that needs to be monitored



- | | |
|----------------------------|--|
| 1 ▶ LED indicator | 5 ▶ 2 x access interface inputs |
| 2 ▶ USB 2.0 | 6 ▶ 2 x lock outputs |
| 3 ▶ Ethernet port 10/100 | 7 ▶ 2 x dry contact inputs |
| 4 ▶ Power input (12VDC 3A) | 8 ▶ 2 x electronic swinghandles (3101, 3102, 3103, 3104) |



Dry Contact Inputs

- Dry contact inputs to monitor changes in the environment
- Inputs can be used as sensor input for detecting the state of the door (open/closed)

Access Interfaces

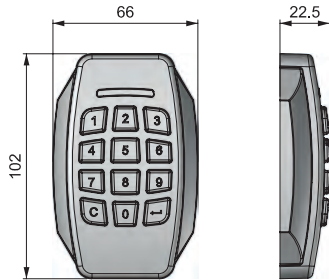
- 2 x access interface inputs allow access by entering a code number or presenting a proximity card.
- Possible to connect 3414 - AIK and 3415 - AIP devices.

Lock Outputs

- 2 x lock outputs to control physical access to the cabinet
- Possible to connect wide range of locks.

Swinghandles

- 2 x electronic swinghandles to control physical access to the cabinet
- Possible to connect electronic swinghandles 3101, 3102, 3103 and 3104.



12 VDC 1A Adapter

3416

S-AIK STANDALONE ACCESS INTERFACE KEYPAD



- Two level password (Master and User)
- Two lock outputs to control physical access to the cabinet
- Possible to connect wide range of locks including electronic swinghandles
- 12 Volt DC supply voltage
- Material: ABS Cover and Zamak5 Body
- It can control the locks separately
- Beep tones and LEDs on the AI device inform the user about the acceptance or rejection of an operation.

STATUS INDICATORS		
Signal 1		Ready
Signal 2		Error
Signal 3		Ok
Signal 3		Menu

Access interfaces are user-interface devices that allow access by entering a code number or presenting a proximity card.

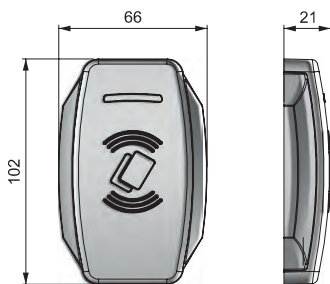
Beep tones and LEDs on the AI device inform the user about the acceptance or rejection of an operation.

3417

S-AIP STANDALONE ACCESS INTERFACE PROXIMTY



- 2 levels Card (RFID tag) management system (Master and User)
- Standard ISO-14443A RFID
- Two lock outputs to control physical access to the cabinet
- Possible to connect wide range of locks including electronic swinghandles
- 12 Volt DC supply voltage
- Material: ABS Cover and Zamak5 Body
- It can control the locks separately
- Beep tones and LEDs on the AI device inform the user about the acceptance or rejection of an operation.



12 VDC 1A Adapter



RFID card: 13.56Mhz MIFARE - Standard ISO14443A

Order separately
Printed: (34002639)
Unprinted: (34002640)

ELECTRONIC LOCKING SYSTEM

AIK ACCESS INTERFACE KEYPAD

3414



Access interfaces are user-interface devices that allow access by entering a code number or presenting a proximity card.

Beep tones and LEDs on the AI device inform the user about the acceptance or rejection of an operation.

AIP ACCESS INTERFACE PROXIMITY

3415



These access interfaces are used with monitoring and access control units (MCU - 3401, ACU Plus - 3403 and ACU - 3402)

RFID card: 13.56Mhz MIFARE - Standard ISO14443A

Order separately

Printed: (34002639) / Unprinted: (34002640)

ACCESSORIES



AC-DC Power Supply
12 Volt DC 3 Amper
(34002625)

- Universal input voltage range.
- Up to 36 W continuous power.
- Interchangeable Ac blades for global use.
- Used with monitoring access control units

Note: 34002625 Europe blade included.
Please contacts Essentra for other blades.



AC-DC Power Supply
12 Volt DC 1 Amper
(34030041)

- Universal input voltage range.
- Up to 12 W continuous power.
- Used with standalone access interfaces.



Electronic swinghandle
connection cable (4 meter)
(34030006)

- Used to connect ELECTRONIC SWINGHANDLES to standalone access interfaces and monitoring and access control units
- The same connectors are crimped both ends of the cable.



Electronic swinghandle
connection cable (0.4 meter)
(34030039)

- Used to connect ELECTRONIC SWINGHANDLES to standalone access interfaces
- The same connectors are crimped both ends of the cable.



ACU - AI connection cable
(4 meter)
(34030040)

- Used to connect access interfaces (AIK - 3414 and AIP - 3415) to monitoring and access control units.



ANALOG SENSORS

<p>Sensor is needed for measurement of temperature indoors.</p> <p>Temperature : Min. -50° C - Max.105° C / Humidity : Min. 5% - Max. 95% (Non-Condensing)</p>	<p>Temperature</p>  <p>34002631</p>
<p>Sensor is needed for measurement of temperature outdoors</p> <p>Temperature : Min. -10° C - Max.80° C / Humidity : Min. 5% - Max. 95% (Non-Condensing)</p>	<p>Outdoor Temperature</p>  <p>34002637</p>
<p>Sensor is needed for measurement of relative humidity 10-95% indoors with relative accuracy 5%.</p> <p>Temperature : Min. -10° C - Max.80° C / Humidity : Min. 5% - Max. 95% (Non-Condensing)</p>	<p>Humidity</p>  <p>34002649</p>
<p>Sensor is needed for measurement of AC 110-240V</p> <p>Temperature : Min. -10° C - Max.80° C / Humidity : Min. 5% - Max. 95% (Non-Condensing)</p>	<p>AC Voltage</p>  <p>34002638</p>
<p>At installation on doors, windows, etc., sensor controls status of door, window: opened, closed.</p> <p>Temperature : Min. -10° C - Max.80° C / Humidity : Min. 5% - Max. 95% (Non-Condensing)</p>	<p>Access Sensor</p>  <p>34002634</p>
<p>At installation on walls, windows, etc., sensor monitors vibration. Chain connection is possible.</p> <p>Temperature : Min. -10° C - Max.80° C / Temperature : Min. -10° C - Max.80° C</p>	<p>Vibration</p>  <p>34002635</p>
<p>Detector detects smoke indoors. Chain connection is possible.</p> <p>Temperature : Min. -10° C - Max.80° C / Humidity : Min. 5% - Max. 95% (Non-Condensing)</p>	<p>Smoke</p>  <p>34002632</p>
<p>Sensor is needed for control of movement over an infra-red range.</p> <p>Temperature : Min. -10° C - Max.80° C / Humidity : Min. 5% - Max. 95% (Non-Condensing)</p>	<p>Motion (PIR)</p>  <p>34002636</p>
<p>When water is in contact with the metal cores, the sensor indicates the emergence of moisture. If sensor is constantly responding to high water levels, replace the sensor with a level sensor. Attention! Metal cores are detectors of water, mount strictly downwards as close as its possible to a floor.</p> <p>Temperature : Min. -10° C - Max.80° C / Humidity : Min. 5% - Max. 95% (Non-Condensing)</p>	<p>Water Leak</p>  <p>34002633</p>
<p>When water is in contact with detection cable sensor indicates the emergence of moisture. Water detection cable 50 is ordered separately art. SC-WDC! If sensor is constantly responding to high water levels, replace it with a level sensor.</p> <p>Temperature : Min. -10° C - Max.80° C / Humidity : Min. 5% - Max. 95% (Non-Condensing)</p>	<p>Water Leak Cable</p>  <p>34002650</p>

ELECTRONIC SWINGHANDLE

3101

ALL IN METAL



High security electronic products to protect your organisation's data

APPLICATIONS:

- Rack cabinets
- Server rooms
- Telecommunication
- Kiosks
- GSM network cabinets

Electrical Specifications:

- Operating Voltage: 12 VDC
- Operating Temperature: +60/ -10 C
- Nominal Operating Current:
- Standby: 6mA
- Lock/Unlock: 75mA
- Max. Current: 400mA

PIN Connections;

- PIN 1- GND
- PIN 2- +12V
- PIN 3- Door Position Sensor
- PIN 4- Error Signal
- PIN 5- Control Signal
- PIN 6- Handle Position Sensor



- All metal construction.
- Compatible with access control systems.
- Ability to work mechanically in case of power outage.
- Elegant design.
- Capable to inform door status with integrated reed switch.
- Capable to inform handle position with integrated micro switch.
- Provides opportunity to work mechanically or electronically by changing the rear cover.
- Capable to inform faulty situations with integrated micro switches.

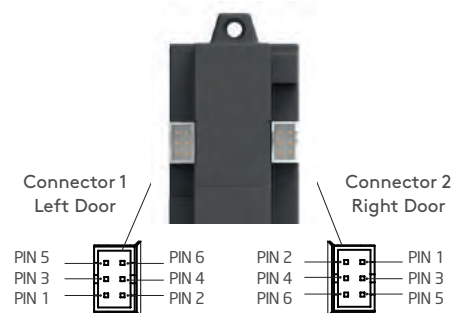
MATERIALS

- BODY: Zamak DIN-EN 1774-ZnAl4Cu1
- HANDLE: Zamak DIN-EN 1774-ZnAl4Cu1
- CAM: Steel
- SEAL: Polyurethane

ELECTRONIC REAR COVER



PIN DETAILS



Both connectors have the same function.

Electronic swinghandle connection cable



The same connectors are crimped both ends of the cable.



3102

ELECTRONIC SWINGHANDLE

ALL IN METAL

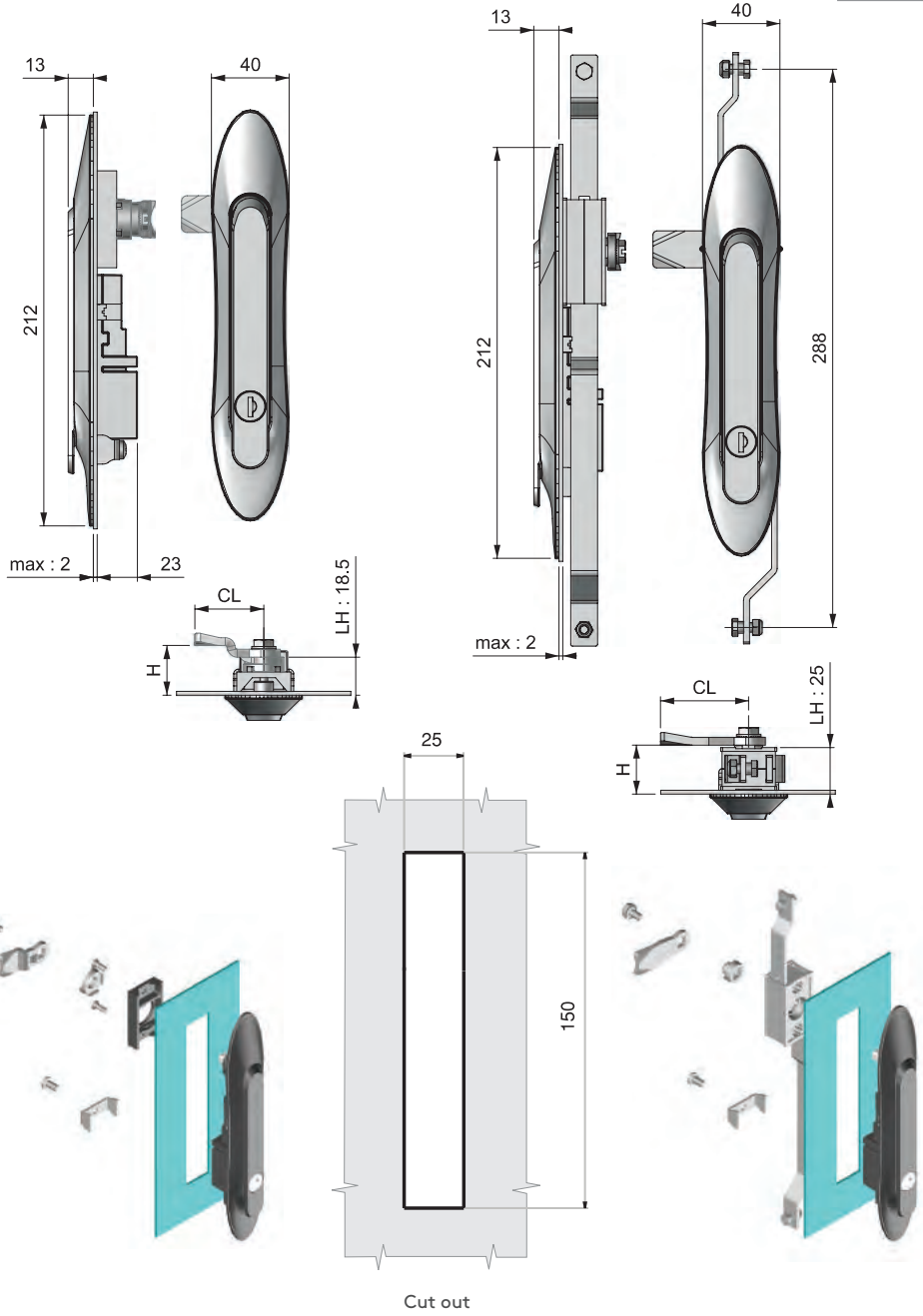


- All metal construction.
- Compatible with access control systems.
- Ability to work mechanically in case of power outage.
- Elegant design.
- Capable to inform door status with integrated reed switch.
- Capable to inform handle position with integrated micro switch.
- Provides opportunity to work mechanically or electronically by changing the rear cover.
- Capable to inform faulty situations with integrated micro switches.

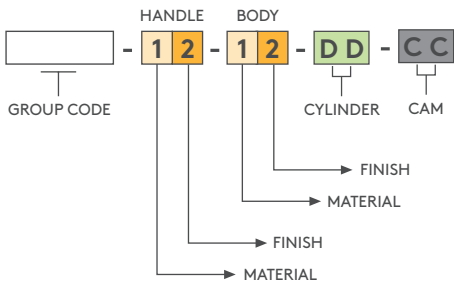
MATERIALS
 BODY: Zamak DIN-EN 1774-ZnAl4Cu1
 HANDLE: Zamak DIN-EN 1774-ZnAl4Cu1
 CAM: Steel
 SEAL: Polyurethane

3101

3102



Cut out



For cams and rods, please check
 ▶ Page: 146 -150

SPECIFICATIONS	DD
Stainless steel dust cap (Keyed alike)	40
Stainless steel dust cap (Keyed differ)	32

ELECTRONIC SWINGHANDLE

3103



High security electronic products to protect your organisation's data

APPLICATIONS:

- Rack cabinets
- Server rooms
- Telecommunication
- Kiosks
- GSM network cabinets

- Compatible with access control systems.
- Ability to work mechanically in case of power outage.
- In case of emergency can be opened mechanically
- Capable to inform door status with integrated reed switch.
- Capable to inform handle position with integrated micro switch.
- Provides opportunity to work mechanically or electronically by changing the rear cover.
- Capable to inform faulty situations with integrated micro switches.
- LED indicators

MATERIALS

- BODY:** Polyamide DIN-EN ISO 1043-1 PA6 GFR 30
- HANDLE:** Polyamide DIN-EN ISO 1043-1 PA6 GFR 30
- CAM:** Steel



Electrical Specifications:

Operating Voltage: 12 VDC
 Operating Temperature: +60/ -10 C
 Nominal Operating Current:
 Standby: 6mA
 Lock/Unlock: 75mA
 Max. Current: 400mA

PIN Connections;

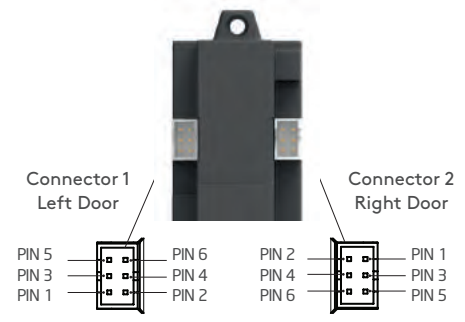
- PIN 1- GND
- PIN 2- +12V
- PIN 3- Door Position Sensor
- PIN 4- Error Signal
- PIN 5- Control Signal
- PIN 6- Handle Position Sensor

Lock Warning Signs			
Signal 1		While opening the lock	LED 1 blinks fast.
Signal 2		While closing the lock	LED 2 blinks fast.
Signal 3		When the lock is open	Both LEDs blink fast.
Signal 4		When the handle is open	Both LEDs not lit
Signal 5		Error	Both LEDs blink slow.
Signal 6		Ready	Both LEDs are lit.

ELECTRONIC REAR COVER



PIN DETAILS



Both connectors have the same function.

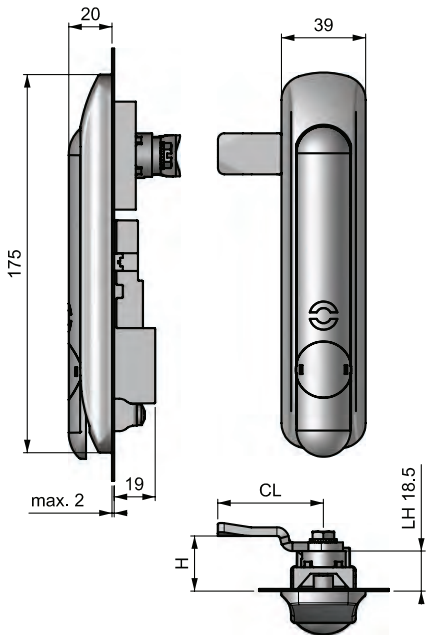
Connection Cable



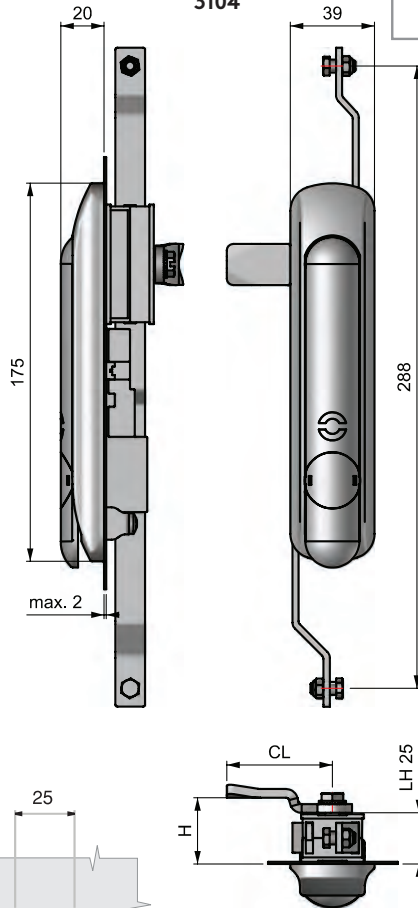
Cable length is 4 m.
 The same connectors are crimped both ends of the cable.



3103



3104

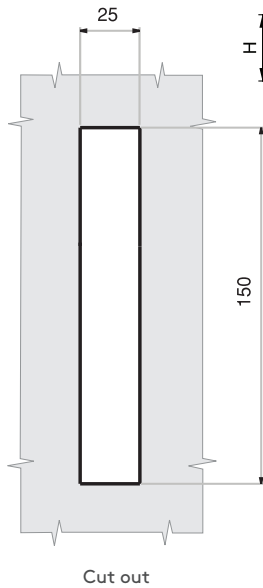


3104

ELECTRONIC SWINGHANDLE

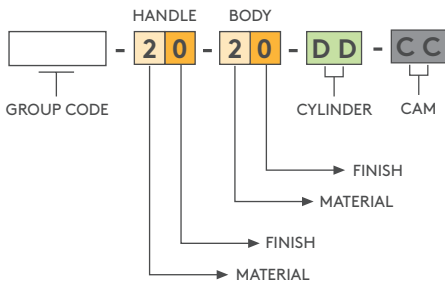


In case of power outage remove the dust cover on the handle and open with the key.



MATERIALS

- BODY: Polyamide DIN-EN ISO 1043-1 PA6 GFR 30
- HANDLE: Polyamide DIN-EN ISO 1043-1 PA6 GFR 30
- CAM: Steel



For cams and rods, please check
▶ Page: 146 -150



SPECIFICATIONS	DD
Stainless steel dust cap (Keyed alike)	40
Stainless steel dust cap (Keyed differ)	32

▶ ELECTRONIC LOCKING SYSTEM

ELECTRONIC SWINGHANDLE

3105



High security electronic products to protect your organisation's data

APPLICATIONS:

- Outdoor cabinets
- Telecommunication
- Kiosks
- ATMs
- Electrical enclosures

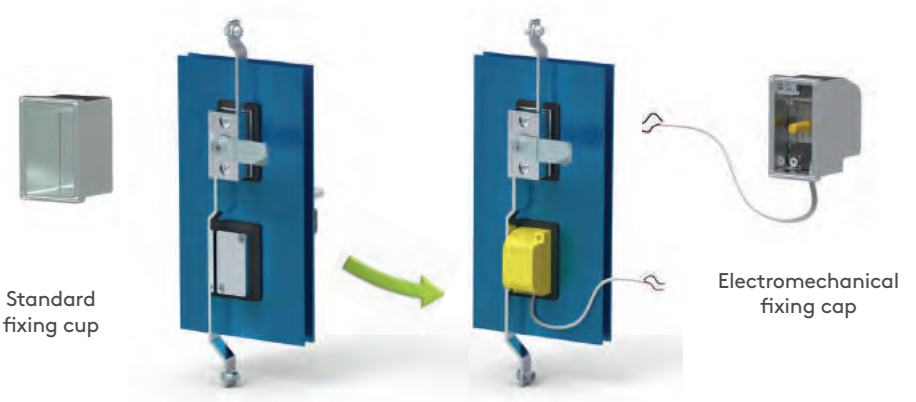
- Compatible with access control systems.
- All metal construction
- Special geometry provides anti-vandalism safety
- Improved corrosion resistance
- Suitable to DIN V ENV 1630: 1999-04/WK2 test
- Double o-ring used for handle provides improved IP rating
- High-security cylinder alternative
- Better IP rating with moving dust cap

MATERIALS

- BODY:** Zamak DIN-EN 1774-ZnAl4Cu1
- MECHANISM:** Zamak DIN-EN 1774-ZnAl4Cu1
- GASKET:** Polyurethane
- COVER:** Zamak DIN-EN 1774-ZnAl4Cu1

Standard Application

Electromechanical Application



Simply changing the cover assembly is enough to switch from standard to electromechanical application

Lock operating principle
Electronical and mechanical

Technical specifications:

- Voltage: 48 VDC
- Current 500 mA
- High temperature resistance: 150 °C



Electronic access options, remote control, card reader, etc., activate the lock. It is then ready to be opened by the mechanical key

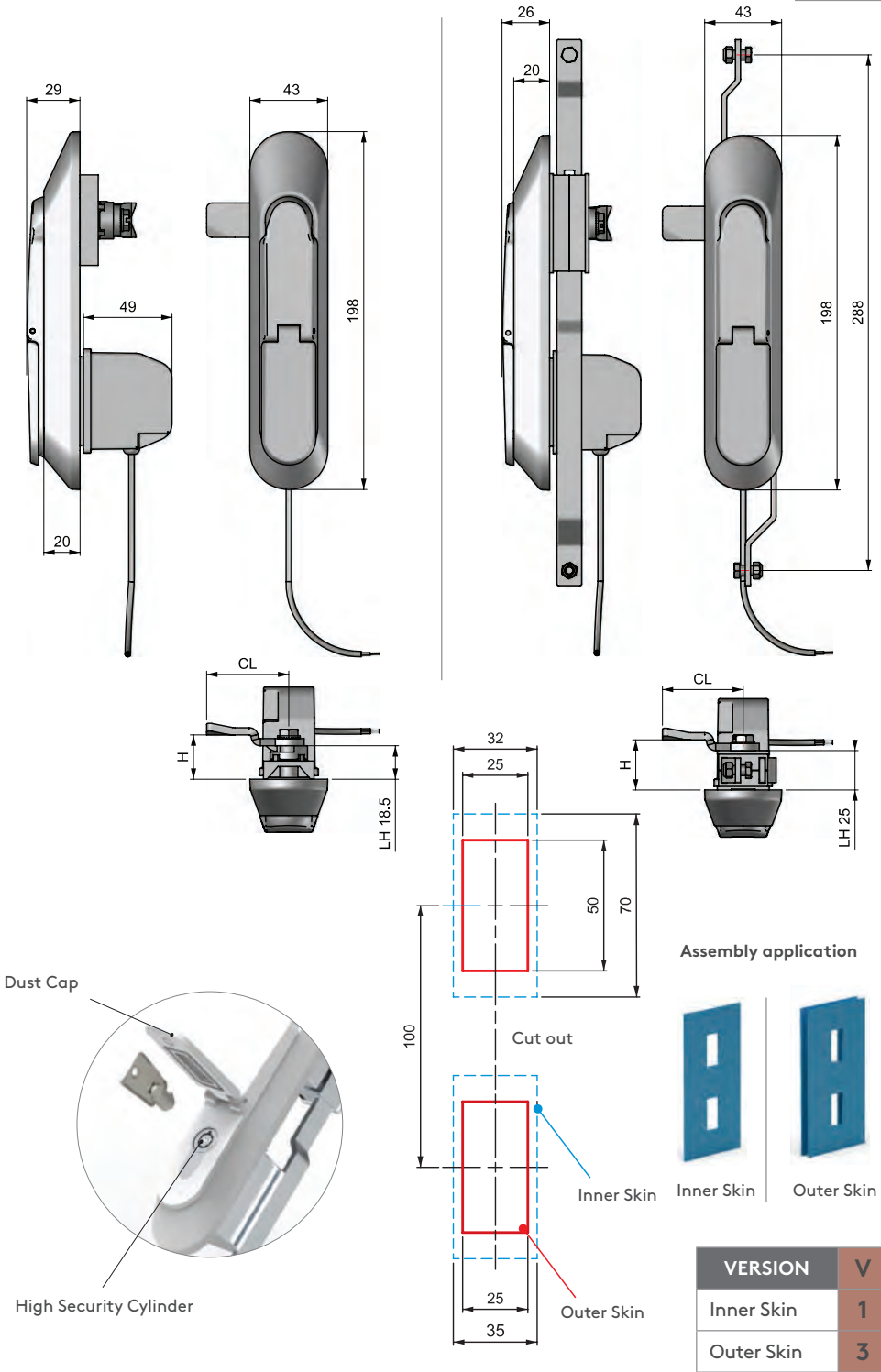


3105

3106

3106

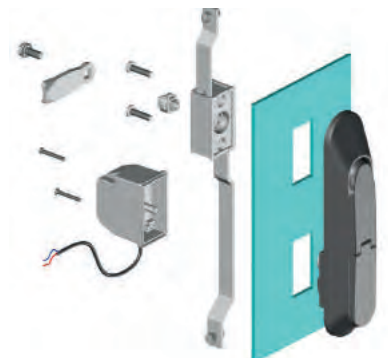
ELECTRONIC SWINGHANDLE



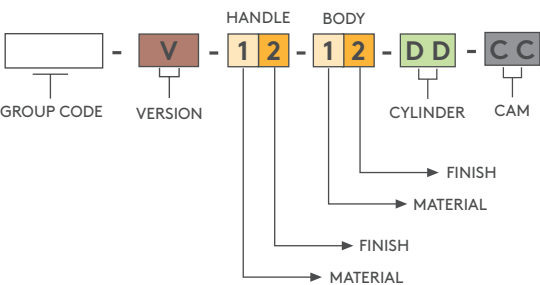
- Compatible with access control systems.
- All metal construction
- Special geometry provides anti-vandalism safety
- Improved corrosion resistance
- Meets DIN V ENV 1630:1999-04/ WK2 standard
- Double o-ring used for handle provides improved IP rating
- High-security cylinder alternative
- Better IP rating with moving dust cap

MATERIALS

BODY: Zamak DIN-EN 1774-ZnAl4Cu1
 MECHANISM: Zamak DIN-EN 1774-ZnAl4Cu1
 GASKET: Polyurethane
 COVER: Zamak DIN-EN 1774-ZnAl4Cu1



High Security Cylinder

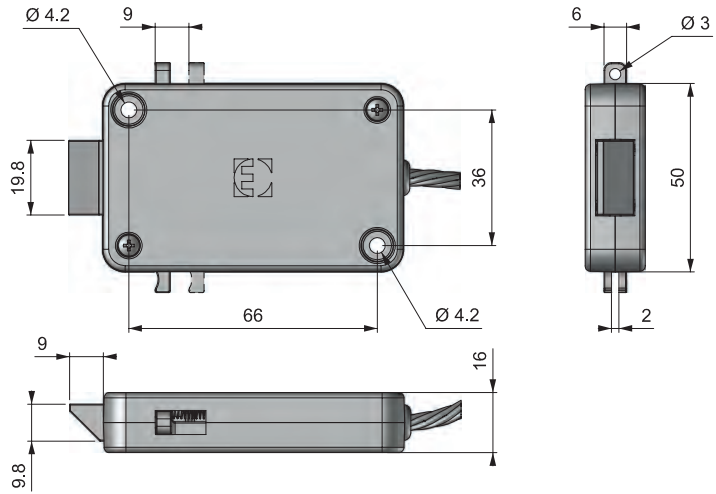


HIGH SECURITY CYLINDER	
Zamak cylinder	
Keyed alike	Keyed differ
22	23

ELECTRONIC LOCKING SYSTEM

ELECTRONIC KEEPER

3341



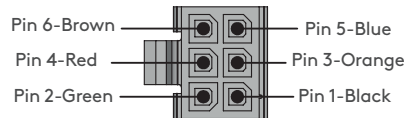
- Push to Close
- 12 Volt DC supply voltage
- Two different mechanical override option
- Auto locking
- Internal microswitch
- Microprocessor controlled gear motor
- Compatible with access control systems

MATERIALS

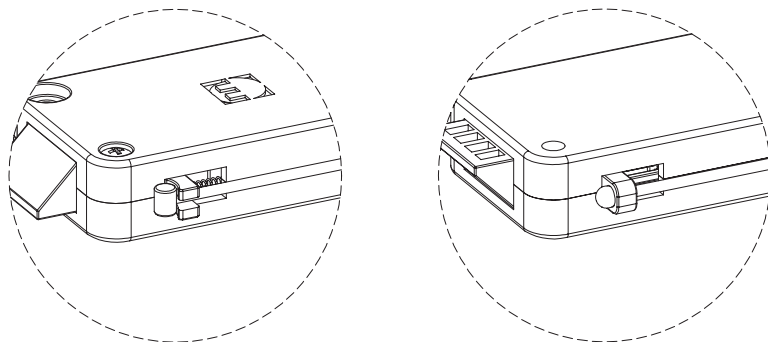
BODY: Plastic
CAM: Zamak 5

TECHNICAL SPECIFICATIONS

Cable Length : 180 mm
Operating Voltage : 12 Volt
Current : Max. 500 mA
Stroke : 9 mm



Pins	Colours	
Pin 1	Black	GND
Pin 2	Green	12 Volt DC
Pin 3	Orange	Signal
Pin 4	Red	Microswitch COM
Pin 5	Blue	Microswitch NO
Pin 6	Brown	N/A

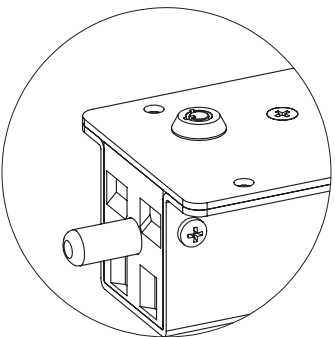
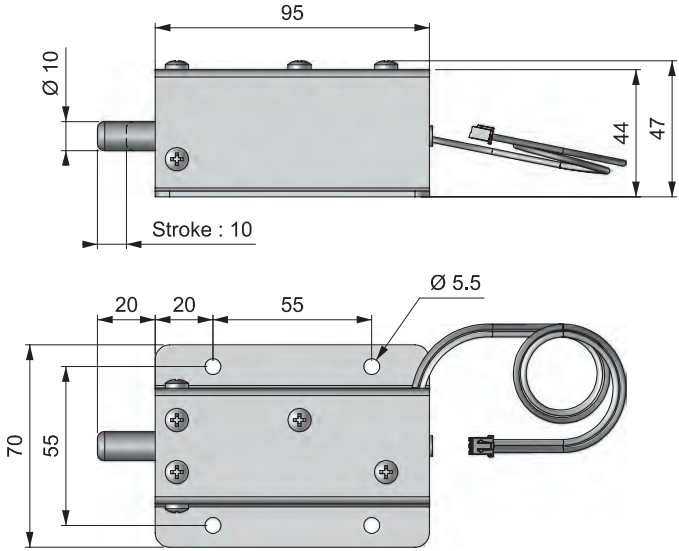


Two different mechanical override option

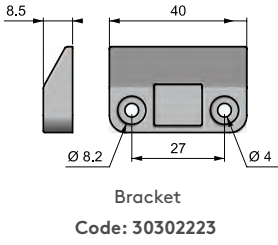


3311

SOLENOID LOCK



Mechanical override with high security cylinder



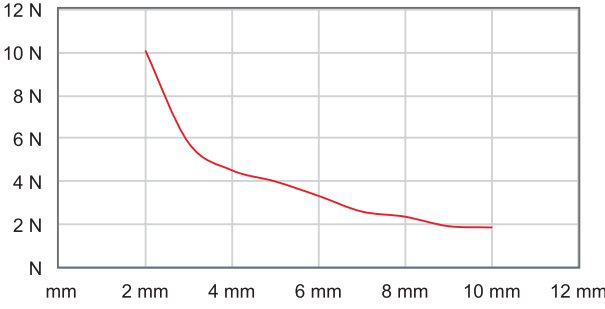
- Compatible with access control systems
- Push to close with a special bracket
- Mechanical override option
- Auto locking
- DC type solenoid
- Solenoid has no polarity
- Resistance of solenoid varies with the applied voltage,
- The solenoid becomes hot (around 80 °C) when continuously energized, precautions should be taken to prevent burns

MATERIALS
 BODY: Steel
 PLUNGER: Steel
 BRACKET: Delrin

TECHNICAL SPECIFICATIONS
 Operating Voltage : 24 V DC
 Current Consumption : 550 mA
 Power Consumption : 13,2 W
 Operating Temperature Range : - 5 °C / + 40 °C
 Cable Length : 30 cm
 Stroke : 10 mm

Please Contact Essentra
 * For AC type of solenoids
 * For different voltages
 * For different strokes

3311 Solenoid Lock



Force - Stroke Graph In Horizontal Installation

PRODUCT CODE



VERSION	V
Without Mechanical Override	1
With Mechanical Override	2

ELECTRONIC LOCKING SYSTEM

ELECTRONIC CABINET LOCK

3202

Keypad

Vertical



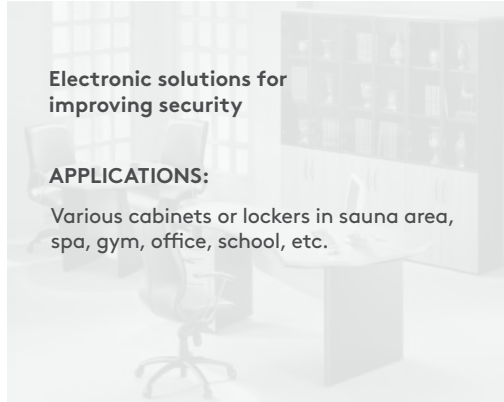
Horizontal



Electronic solutions for improving security

APPLICATIONS:

Various cabinets or lockers in sauna area, spa, gym, office, school, etc.



Technical specifications

- Operating voltage: 3x1.5 V = 4.5 V
- Battery: 3xAA Alkali battery
- Battery life: Approx. 1.5 year (daily 10 use)
- Password combination: 4-12 digit
- Operating temperature range: -15 ~ 55°C
- Operating humidity range: 0 ~ 90 % RH

- Ability to open with a password without card and key
- Elegant design suitable for office environments
- Multi-user support
- Micro USB emergency power-supply input behind sliding cover
- Low battery level indicator
- For general or specialised use
- Easy installation
- Easy to use
- High-security
- Burglar alarm
- Melody yes/no adjustment
- Stylish visual-warning LEDs

MATERIALS

BODY: Plastic
LATCHING BODY: Plastic
GASKET: Rubber
CAM: Steel

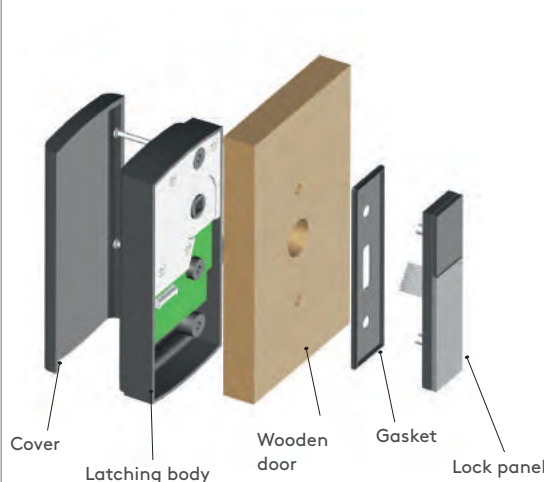


Sliding cover

Emergency power-supply input

When it runs out of batteries, slide the cover and the lock can be opened with the Micro USB connector.

Micro USB connector



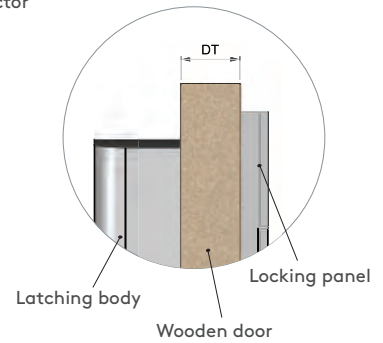
Cover

Latching body

Wooden door

Gasket

Lock panel



Latching body

Wooden door

Locking panel

DT - DOOR THICKNESS

Min	Max
11mm	27mm

For different door thicknesses please contact Essentra.



3203

ELECTRONIC CABINET LOCK

RFID card reader

Electronic solutions for improving security

APPLICATIONS:

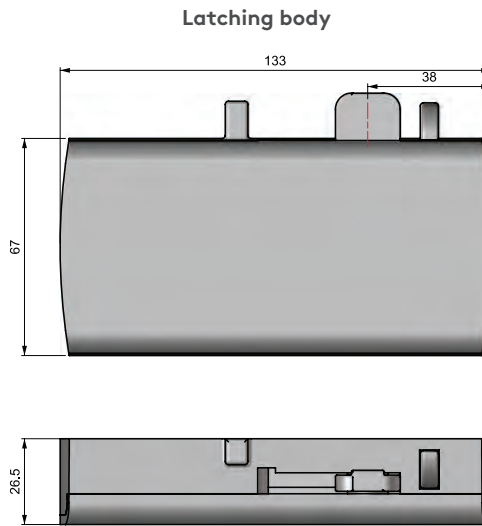
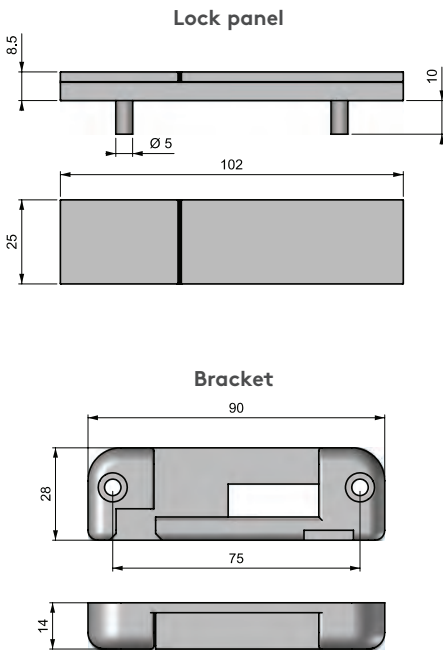
Various cabinets or lockers in sauna area, spa, gym, office, school, etc. .



Technical specifications

- Operating voltage: 3x1.5 V = 4.5 V
- Battery: 3xAA Alkali battery
- Battery life: Approx. 1.5 year (daily 10 use)
- Card type: RFID 13.56Mhz MIFARE - Standard ISO14443A
- Operating temperature range: -15 ~ 55°C
- Operating humidity range: 0 ~ 90 % RH

External dimensions



Note:

Instructions for use, installation dimensions, etc. More information is available in the instruction book with the lock.

Vertical



Horizontal



RFID Card



Order separately

Printed: (340.0.2639)

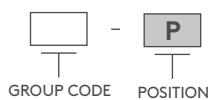
Unprinted: (340.0.2640)

- Ability to open with a RFID card without key
- Elegant design suitable for office environments
- Multi-user support
- Micro USB emergency power supply input behind sliding cover
- Low-battery level indicator
- For general or specialised use
- Easy installation
- Easy to use
- High security
- Burglar alarm
- Melody yes/ no adjustment
- Stylish visual-warning LEDs

MATERIALS

BODY: Plastic
 LOCK PANEL: Plastic
 GASKET: Rubber
 CAM: Steel

PRODUCT CODE



POSITION	P
Horizontal	1
Vertical	2

▶ ELECTRONIC LOCKING SYSTEM

ELECTRONIC CABINET LOCK

3201

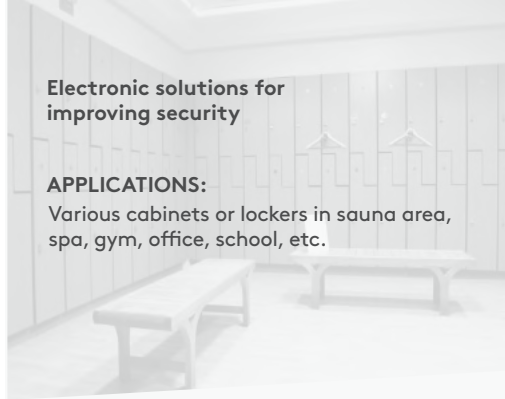
Keypad



Electronic solutions for improving security

APPLICATIONS:

Various cabinets or lockers in sauna area, spa, gym, office, school, etc.



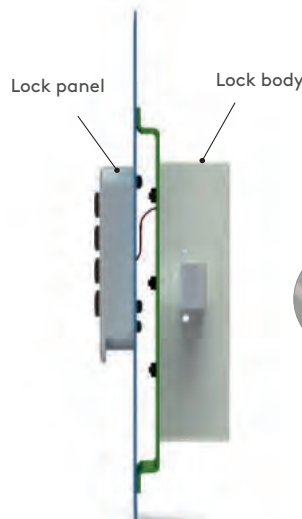
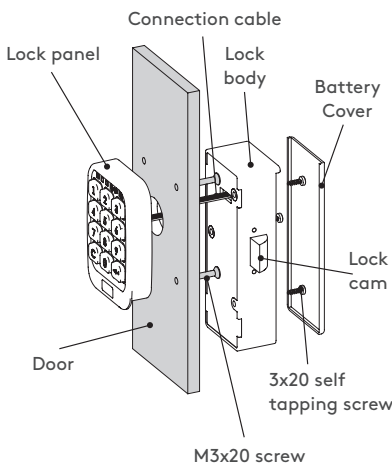
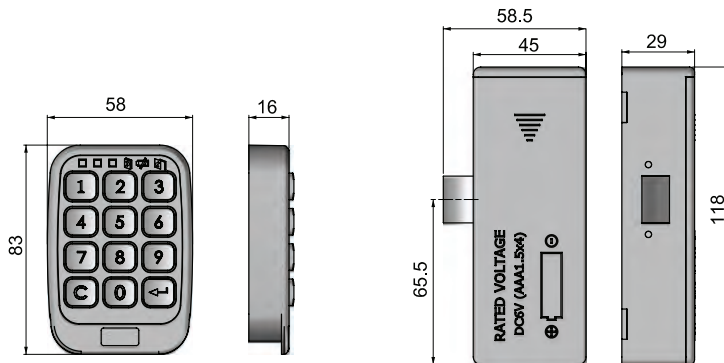
- Input password to open door; no need for card or key
- Two types:
 - Public with temporary password
 - Private with permanent password
- Two management levels: master code and user code
- Low power alarm: the lock will indicate when the battery has insufficient power
- Emergency open: external power supply can be used via a socket in the lock if sufficient battery power is not available

Technical specifications

Password digital:	>= 4, <= 10	Work temperature:	-25°C ~ 65°C
Power source:	4 pcs AAA alkaline batteries	Store temperature:	-25°C ~ 85°C
Static current:	<10uA	Store time:	> 10 years
Dynamic current:	<220mA	Change:	1,000,000 times
Alarm power:	<4.7V	Work humidity:	5 ~ 95 % RH
Memory capacity:	4160 Bit		(No condensation)

MATERIALS

LOCK PANEL: Zamak
 KEYS: Plastic
 LOCK BODY: Plastic
 CAM: Zamak



Note:

Instructions for use, installation dimensions, etc. More information is available in the instruction book with the lock.



External power socket



External power supply
 product code:
 340.0.2643
 (Order separately)



3301

ELECTRONIC CABINET LOCK

Remote Control Lock

Electronic solutions for improving security

APPLICATIONS:

- Coolers
- Fridges
- Electric panels
- Cabinets



Technical specifications

Main board

- Input voltage: 12V - 18V AC
- Output current: 650 mA x2
- RF frequency: 433.92 MHz
- Working temperature range: -25 °C ~ +70 °C
- Control: Microprocessor
- Cable length: 70 cm
- Alert type: Buzzer
- Identification: Master remote control
- Locking security: Watchdog

Remote control:

- RF Frequency: 433.92 MHz
- Keys: 2 (Open/Close)
- Battery: 27A
- Control distance: 50 m (ideal conditions)

Master remote control

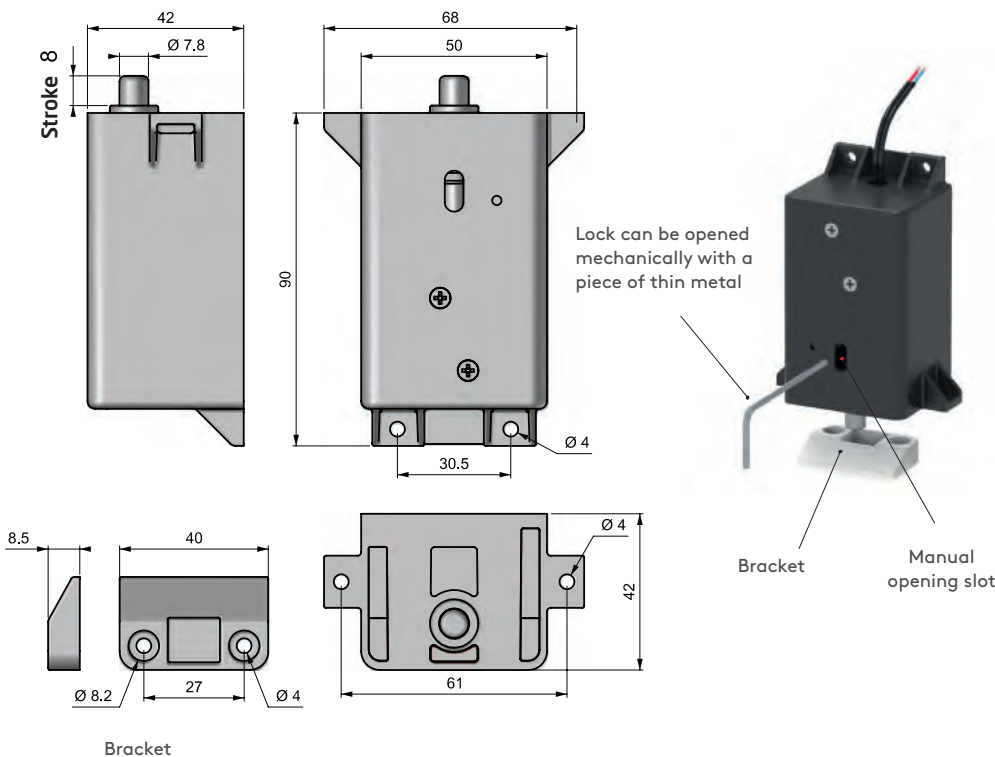
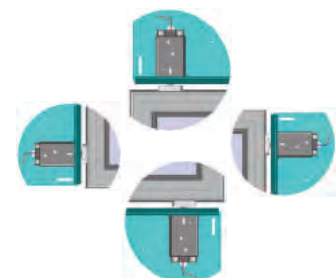
- RF Frequency: 433.92 MHz
- Keys: 2 (Same function)
- Battery: 27A
- Function: New remote control identification

- Microprocessor controlled.
- Working voltage 220 V AC (with a special transformer)
- Open and close remote control
- Buzzer
- Manual opening slot in case of power outage
- New remote control identification with a master remote control
- More than one lock can be controlled by one remote control or vice versa
- More than one remote control can control one lock
- Stroke: 8 mm

MATERIALS

- BODY: Plastic
- PLUNGER: Steel
- BRACKET: Delrin

Multidirectional application



VISIT US ONLINE!

- ▶ Buy online
- ▶ Request free samples
- ▶ Easy to find products
- ▶ Download 3D CAD files



www.essentracomponents.co.uk

Conditions of sale can be found on our website - www.essentracomponents.co.uk

PRODUCT NAME	GROUP CODES	PAGE
ACTUATOR PLATES		159
ADDITIONAL CAMS		149
ADHESIVE GASKETS		364 - 365
ACOUSTIC SPONGES		418 - 419
ANTI CONTAMINATION LOCKS	460	442
BRIDGE CLAMP SYSTEMS	462	119
CABLE SHUNTING RING	320.03.164 - 320.02.165	409
CAMS, KEYS, RODS & ROD GUIDES		142 - 163
CAM LOCKS	050, 056, 063, 150, 250,	215, 228 - 231, 235
CAM LOCK BALLS	050	205
CAM LOCK L HANDLES	011, 064 111,	221, 223, 241
CAM LOCK T HANDLES	010, 064, 110	220, 222, 240
CAM LOCK WING KNOBS	065	218
CAM LOCK KNOB LOCKS	261	188
CAMS WITH STOPPERS		144 - 145
CAMS WITHOUT STOPPERS		146 - 147
CAGE NUTS	240X	403
CIRCULAR INSPECTION WINDOW		399
CLAMPS (3D)	078	120
COMPRESSION LOCKS	040, 077, 177,	122 - 125, 194 - 195 - 438 - 441
COMPRESSION SPRING LATCH	045	197, 443
COMPRESSION LOCK T HANDLES	240	224 - 225
COMPRESSION LOCK WING KNOBS	340	226 - 227
CONCEALED HINGES	094, 095, 096, 194, 195, 196, 294, 295, 296, 394, 395, 595, 695, 795, 895, 995, 1095, 1495, 1795, 2890,	266 - 289, 293 - 296, 450 - 460, 475
CONCEALED HINGES SPRING LOADED	089 189, 389,	290-292
CORNER HINGES	097, 098, 100, 197, 200, 297, 298, 397, 398, 400, 497, 498	301 - 314, 460

PRODUCT NAME	GROUP CODES	PAGE
COVER HANDLES	086, 087, 186, 187, 286, 287, 387	387 - 393
COUNTER SCREEN	2216, 2215	402
COVER PULL HANDLES (SNAP-IN)	074, 174, 274	394 - 395
COVER STAYS	079, 179, 279	411 - 413, 479 - 481
DRAWER HANDLES	085, 184	385 - 386
DRAWING POCKET	2150, 2151	400
DIAPHGRAM GROMMETS		414
DOOR HOLDBACK	340.08.001	416
DOOR BOTTOM BRUSHES	340.20.0XX	417
EDGE GASKETS		374 - 376
EDGE PROTECTION GASKETS		325
ELECTRONIC LOCKING SYSTEM		482 - 503
ELECTRONIC KEEPER	3341	498
ELS ACCESS CONTROL UNIT (ACU)	3402	488
ELS ACCESS CONTROL UNIT (ACU PLUS)	3403	487
ELS STANDALONE ACCESS INTERFACE KEYPAD (S-AIK)	3416	489
ELS STANDALONE ACCESS INTERFACE PROXIMITY (S-AIP)	3417	489
ELS ACCESS INTERFACE KEYPAD (AIK)	3414	490
ELS ACCESS INTERFACE PROXIMITY (AIP)	3415	490
ELS ELECTRONIC CABINET LOCK	3201, 3202, 3203, 3301	500 - 503
ELS ELECTRONIC SWINGHANDLE	3101, 3102, 3103, 3104, 3105, 3106	492 - 497
ELS MAIN CONTROL UNIT (MCU)	3401	486
ELS SENSORS	340.0.26XX	491
EMERGENCY STOP BUTTON	3501	121
EYEBOLTS	24XX	403
FIN GASKETS		371 - 372
FIRE-HOSE CABINET LOCKS	013	250- 251

PRODUCT NAME	GROUP CODES	PAGE
FLAT HINGES		321 - 360
FLAT HINGE WITH BEARINGS	693	359
FLAT HINGES ADJUSTABLE TORQUE HINGES	2399, 2499	346 - 347
FLAT HINGES WITH BEARINGS	100, 600	350 - 351 - 353
FLAT HINGES HVAC HINGE	300, 500, 700, 800	354 - 358
FLAT HINGES LIFT-OFF HINGE	699, 3099, 3299, 3399, 3599,	348 - 349, 461, 469
FLAT RODS		158, 160 - 161
FLAT ROD ACCESSORIES		153 - 154
FUNCTIONAL LOCKS	072	105
FUNCTIONAL LOCKING HINGE	712	116 - 117
FURNITURE LOCKS	030, 032, 033	244 - 246
FURNITURE & STEEL CUPBOARD LOCKS		210 - 223
GASKETING		362 - 381
GLASS HINGE	025	408
GLASS DOOR LOCK	021	243
GLAZING GASKETS		373
HANDLES		382 - 395
HEAVY DUTY LOCKS		80 - 107
HEAVY-DUTY LOCKS PUSH-TO-CLOSE	016, 116, 216, 316, 416	82 - 88, 432, 433
HEAVY-DUTY LOCKS T HANDLE	014, 015, 018, 114, 115, 118, 215, 218, 315	89 - 107, 334, 335
HOOKED LOCKS	176	140
HVAC CORNER HINGES	600, 700	315 - 319
HVAC LOCKS	012, 612	110 - 113, 115
INDEX HINGE	2599	343

PRODUCT NAME	GROUP CODES	PAGE
INTERNAL LOCKING SYSTEM FOR ROD-LATCH SYSTEM	303	77
INTERNAL SAFETY HANDLES	012 A1	114
KEYS		162 - 163
KNOB LOCKS	161, 261, 561,	179 - 181 , 217
KNOBS - PADLOCKABLE	055 , 065	206 - 207, 447
LEAF HINGES	099, 199, 299, 399, 499, 599, 799, 899, 999, 900, 1199, 1299, 1399, 1499, 1599, 1699, 2999	323 - 342, 462, 464 - 474
LIFT AND TURN LOCKS	070, 170	126 - 128
LINEAR HANDLE LOCKS FOR ROD-LATCH SYSTEM	104	58 - 59
MILLENIUM HANDLES	084	384
MINI CAM LOCK	057, 157, 257	232, 233, 234
MINI CAM LOCK - WING KNOB	165	219
MINI LOCKS	466	138
MINI QUARTER TURN EASY FIXING	466, 566	201
MINI QUARTER SPRING LOADED	066, 266	202 - 203, 436
MINI SLIDING LOCKS	171, 471	136, 137
MINI T HANDLE CABINET LOCK	114	89 - 91
MINI INDEXING PLUNGERS	2760, 2761, 2762	406
MISCELLANEOUS LOCKS		108 - 140
PANEL LOCK WITH HEXAGONAL HEAD	075	118
QUARTER TURN LOCKS T HANDLE	110	444
QUARTER TURN LOCKS L HANDLE	111	445
QUARTER TURN LOCKS	103, 183, 203, 860,	139, 210-211, 448
QUARTER TURN LOCKS COMPRESSION	040	194 - 195, 438 - 441
QUARTER TURN LOCKS EASY FIXING	560	170

PRODUCT NAME	GROUP CODES	PAGE
QUARTER TURN LOCKS MINI COMPRESSION	140	196
QUARTER TURN LOCKS PADLOCKABLE	260	183
QUARTER TURN LOCKS PADLOCKABLE WING KNOB	262, 562, 265	174
QUARTER TURN LOCKS SECURE QUARTER TURN	361, 461	176 - 177
QUARTER TURN LOCKS SPRING CAM	160	182
QUARTER TURN LOCKS SPRING LOADED	060, 064, 360, 760,	168,169, 178, 191, 436, 437
QUARTER TURN LOCKS STEPPED COVER LOCK	064	190
QUARTER TURN LOCKS WING KNOB	062, 064, 203, 362,	172 - 173, 192 - 193, 209
QUARTER TURN WING KNOB	065 ,	446
QUARTER-TURN LOCKS PACO LOCK	162	184
ROD - LATCH SYSTEMS		46 - 78
ROD CORNER CONTROL		155
ROUND & FLAT RODS AND ACCESSORIES		376 - 377
ROUND RODS		156 -157
ROUND ROD ACCESSORIES		152
RUBBER STOPPER		415
S GASKET		372, 380
SAFETY LATCH	276	367
SOLENOID LOCK	3311	499
SCREW LOCK	042	449
SCREW	340.02.430	410
SIDE BUBBLE GASKET		366 - 368, 377 - 378
SIDE HINGE	090, 091, 092, 093, 191, 192, 193, 293, 393, 493, 593, 693, 793, 893	254 - 693, 476 - 477

PRODUCT NAME	GROUP CODES	PAGE
SLIDING LOCK	071, 271, 371, 571	132 - 135
SLIDING-DOOR LOCK	059	247
SLIDING-GLASS DOOR LOCK	020	242
SPRING LOADED LATCH	2750, 2751	407
SPRING CAM LOCK	163	216
STAINLESS STEEL CAMS		148
STAINLESS STEEL PRODUCTS		420 - 481
STEEL CUPBOARD LOCK	058, 035	248 - 249
SWEEL LOCK	270	130 - 131
SWINGHANDLE	001, 006, 008, 101, 105, 106, 108, 201, 206, 208, 218, 306, 308, 318, 401, 408, 501, 508, 518,	16 - 44, 422 - 423
SWINGHANDLE GEAR BOX	402, 502	370 - 373
SWINGHANDLE GEAR BOX FOR ROD-LATCH SYSTEM	002, 007, 102, 107, 109, 207, 209, 219, 307, 309, 319, 409, 502, 602, 809, 909	48 - 57, 60 - 71, 424 - 427
THREE-POINT LOCK FOR ROD-LATCH SYSTEM	003 - 103 - 203	76 - 77
THREE-POINT LOCK L HANDLE	103	428
THREE-POINT LOCK T HANDLE	103	429
THREE-POINT LOCK WING KNOB, T&L HANDLE FOR	103, 203	72 - 75
TOOGLE LATCHES		404, 405, 478
TOP BUBBLE GASKET		369 - 370, 378 - 379
TORQUE HINGE	2199, 2099	344 - 345
TRUCK CARRIER HINGES	340	360



OVER 35,000 STANDARD PRODUCTS AVAILABLE! A SMALL SELECTION:



GO ONLINE:

- REQUEST FREE SAMPLES
- 3D CAD DRAWINGS
- ORDER ONLINE





Why Buy Essentra?



EXTENSIVE PRODUCT CHOICE

We are pleased to offer over 35,000 standard products in our full components catalogue. All of our products are held in stock and are available for immediate dispatch.

www.essentracomponents.co.uk

- Discover all our product ranges
- Request free samples
- Buy online
- Download free 3D-CAD's

EASY ORDERING

You can submit your order by phone, fax, email or web. For orders, free samples, no-obligation quotes or advice about our products:

Tel: 0845 758 5070 (local rate call)

Fax: 0845 609 0049

Email: sales@essentracomponents.co.uk

Web: www.essentracomponents.co.uk



ESSENTRA