

Magnetically Compensated Choke, 1-phase, flat design



### Description

- Current compensated choke
- 1-phase choke
- THT-terminals
- Inductor horizontally positioned in housing
- SMD version on request

### Standards

- EN 60938
- UL 1283
- CSA 22.2 no 8

### Applications

- Attenuation of common mode interferences
- Designed for 230/400 VAC applications
- Chopper amplifiers
- DC drives and stepper motor controls
- Switching power supplies

### Weblinks

[pdf datasheet](#), [html-datasheet](#), [General Product Information](#), [Approvals](#), [CE declaration of conformity](#), [RoHS](#), [CHINA-RoHS](#), [REACH](#), [Distributor-Stock-Check](#), [Detailed request for product](#), [SPICE Library](#)

### Technical Data

Rated voltage	up to 440 VAC
Rated Current	0.4 - 6.3A @ Ta 40 °C
Rated inductance	0.6 - 40 mH, Tol. -30% +50%
Power Operating Frequency	50 - 400 Hz
Terminal Type	THT
Weight	5 - 16g
Material: Housing	UL 94V-0
Sealing Compound	UL 94V-0

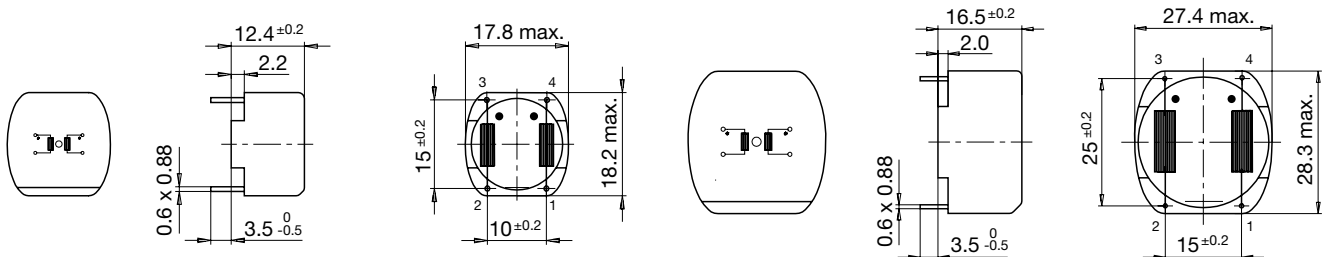
Test Voltage	1.8kV, 50Hz, 1 min, winding to winding
Isolation Voltage	2kV eff., winding to ambient
Climatic Category	25/100/21 acc. to IEC 60068-1
Allowable Operation Temp.	-25 °C to 100 °C

Detailed information on product approvals, code requirements, usage instructions and detailed test conditions can be looked up in [General Product Information](#)

### Dimension

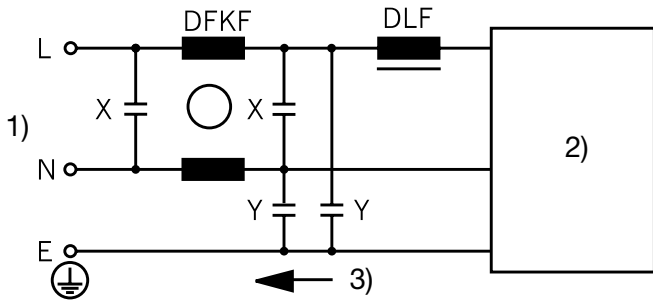
Case 04-2

Case 15-2



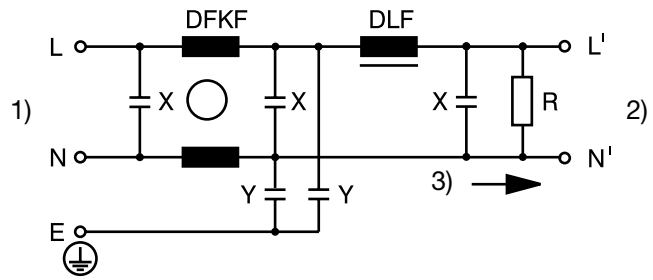
Diagrams

RFI suppression of switching power supply



- 1) Power line
- 2) Switching Power Supply
- 3) Interference current

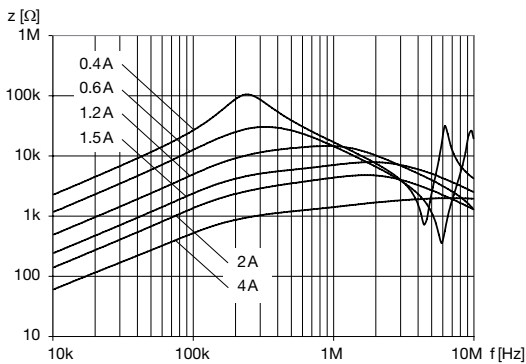
Noise suppression filter



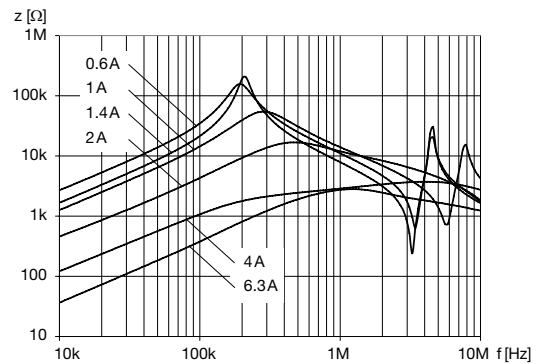
- 1) Power line
- 2) Equipment
- 3) Interference current

Impedance curves

DFKF-18-xxxx



DFKF-28-xxxx



All Variants

$I_n$ [A]	$L_n$ [mH]	$R_{cu}$ [mΩ]	Power <sub>loss</sub> [W]	$f_{RES}$ [MHz]	Weight [g]	Housings	Packing unit [pcs.]	Order Number
0.4	40	1200	0.4	0.11	5g	04-2	48	DFKF-18-0001
0.6	40	1000	0.7	0.2	16g	15-2	40	DFKF-28-0001
1	20	360	0.7	0.28	16g	15-2	40	DFKF-28-0002
1.2	6.8	200	0.6	0.45	5g	04-2	45	DFKF-18-0003
1.4	27	310	-	-	16g	15-2	40	DFKF-28-0003
1.5	3.3	110	0.5	1.2	5g	04-2	45	DFKF-18-0004
2	1.8	60	-	-	5g	04-2	45	DFKF-18-0005
2	6	100	0.8	0.3	16g	15-2	40	DFKF-28-0004
4	0.7	16	0.5	2.5	5g	04-2	45	DFKF-18-0006
4	1.5	28	0.9	1.3	16g	15-2	40	DFKF-28-0005
6.3	0.6	13	1	2.5	16g	15-2	40	DFKF-28-0006

Most Popular.

Availability for all products can be searched real-time: <http://www.schurter.com/en/Stock-Check/Stock-Check-SCHURTER>