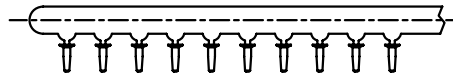


PRODUCT NUMBER

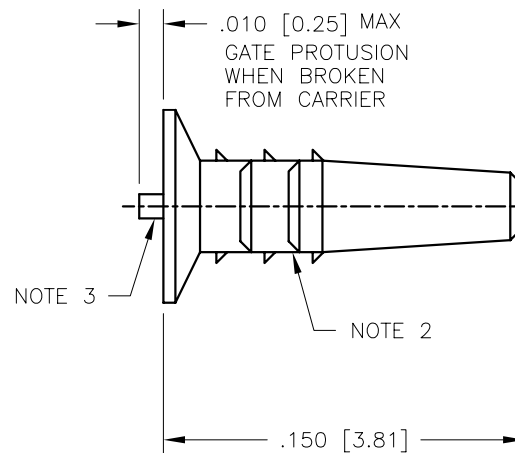
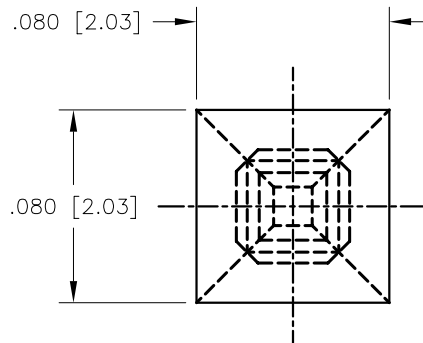
65307-001

OBSOLETE

65307-001LF



MOLDED IN GROUPS OF UP TO 10  
ATTACHED TO CARRIER OR LOOSE PIECE.



NOTES :

1. MOLDING MATERIAL: PA6/66, FLAME RETARDANT PER UL 94V-0, COLOR: NATURAL.
2. SERRATED LOCKING SURFACES.
3. PRESS PLUG INTO PIN LEAD-IN OF HOUSING CAVITY MANUALLY.
4. PLUGS WILL FIT ALL MINI-PV™ ROD AND LATCH HOUSINGS. PRODUCT SPECIFICATION: BUS-12-067.
5. PRODUCT MEETS EUROPEAN UNION DIRECTIVES AND OTHER COUNTRY REGULATIONS AS DESCRIBED IN GS-22-008.
6. THE PRODUCT IS NOT INTENDED TO BE EXPOSED TO MANUFACTURING SOLDER PROCESSES.

mat'l. code SEE NOTE 1				surface	tolerance	projection	product family
D v31683 DAI 1993-09-23				tolerances unless otherwise specified			PV HOUSINGS
E v05-0713 DAI 2005-07-29				angles	linear	INCH/MM	title
F v06-0454 HTB 2006-05-24				0°±2'	xxxx+005/xxx+13	scale 1:1	MINI ROD AND LATCH HOUSING POLARIZING PLUG
G v06-0842 HTB 2006-08-22				dr	P. PARSONS	1993-09-23	dwg no
H v07-0534 HTB 2007-08-23				engr	T. HANNA	1993-09-23	sheet 1 of 1
				chr	T. BREWBAKER	1993-09-23	size
				appd	T. HANNA	1993-09-23	A3
sheet index				revision	H		type
1				sheet	1		Product Customer Drawing



Copyright FCJ