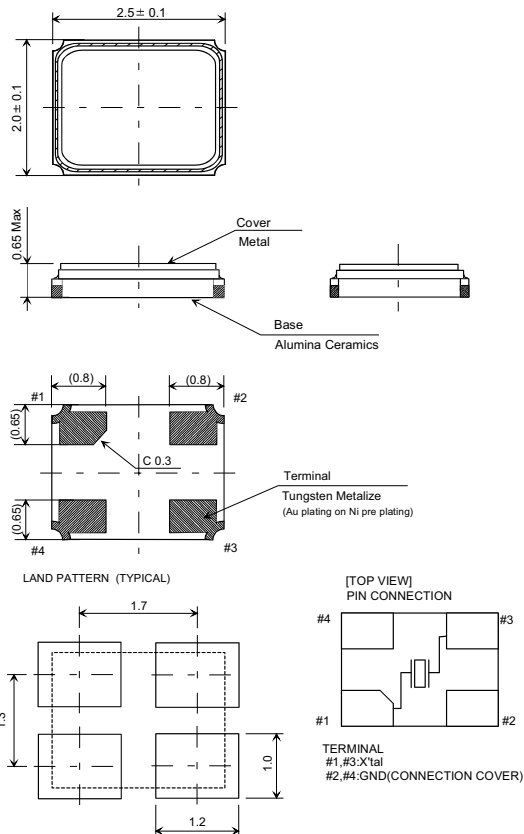


## Specification of Crystal Unit

|       |                                      |  |
|-------|--------------------------------------|--|
| 1     | NDK PART NUMBER                      | NX2520SA   |
| 5     | Type                                 | NX2520SA   |
| 6     | Electrical characteristics           |  |
| 6.1   | Nominal frequency(F0)                | * ATTACHED SHEETS 5  |
| 6.2   | Overtone order                       | Fundamental  |
| 6.3   | Adjustment tolerance                 | $\pm 10 \times 10^{-6}$ max. (+25 °C)  |
| 6.4   | Tolerance over the temperature range | $\pm 10 \times 10^{-6}$ max. (-10~+70 °C) The reference temperature shall be +25 |
| 6.5   | Equivalent resistance (R1)           | *ATTACHED SHEETS 5   |
| 6.6   | Shunt Capacitance (C0)               | NA   |
| 6.7   | Maximum Drive Level                  | 100 $\mu$ W max.   |
| 7     | Measurement circuit                  |  |
| 7.2   | Frequency measurement                |  |
| 7.1.1 | Measuring instrument                 | $\pi$ circuit  |
| 7.1.2 | Load capacitance(CL)                 | 10pF   |
| 7.1.3 | Level of drive                       | 10 $\mu$ W   |
| 7.2   | Equivalent resistance measurement    |  |
| 7.2.1 | Measuring instrument                 | $\pi$ circuit  |
| 7.2.2 | Load capacitance(CL)                 | Series   |
| 7.2.3 | Level of drive                       | 10 $\mu$ W   |
| 8     | Dimension                            |  |



| Frequency(MHz) | IC(ESR) |
|----------------|---------|
| 16             | 80 ohm  |
| 20             | 70 ohm  |
| 24             | 70 ohm  |
| 24.576         | 70 ohm  |
| 26             | 70 ohm  |
| 30             | 50 ohm  |
| 32             | 50 ohm  |
| 40             | 50 ohm  |
| 44             | 50 ohm  |
| 48             | 50 ohm  |