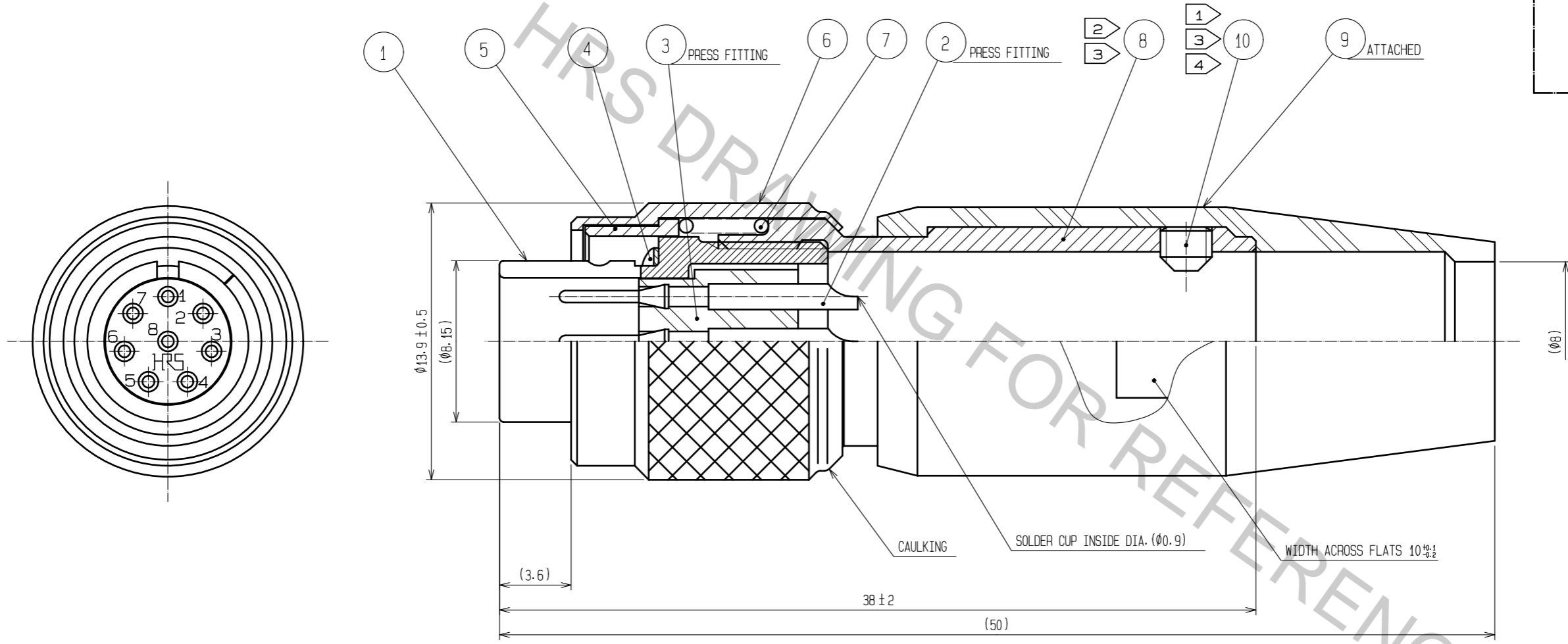


Aug.1.2018 Copyright 2018 HIROSE ELECTRIC CO., LTD. All Rights Reserved.  
 In case that the application demands a high level of reliability, such as automotive,  
 please contact a company representative for further information.



- NOTES
- ① ACROSS FLATS OF HEXAGON HEAD OF REF.NO.⑩ : 1.27.  
THE RECOMMENDED CLAMP TORQUE OF REF.NO.⑩ : 0.3 TO 0.4N·m.
  - ② THE RECOMMENDED CLAMP TORQUE OF REF.NO.⑧ : 1N·m.
  - ③ LOCTITE 263·HENKEL JAPAN IS RECOMMENDED TO REF.NO.⑧ AND ⑩ FROM LOOSENING.
  - ④ CRIMP REF.NO.⑪ INTO THE CABLE. TIP OF REF.NO.⑩ SHALL BE TOUCHED INTO A CONCAVE PORTION OF REF.NO.⑩.
  - ⑤ ROTATION EXAMPLES OF REF.NO.① AND ⑧ ARE SHOWN.
  - ⑥ SURFACE PLATING : GOLD PLATING 0.2μm min.  
UNDER PLATING : NICKEL PLATING 3μm min.

| 6   | BRASS            | MATTE FINISH NICKEL PLATING |     |          |                  |
|-----|------------------|-----------------------------|-----|----------|------------------|
| 5   | STAINLESS STEEL  |                             | 11  | BRASS    |                  |
| 4   | BERYLLIUM COPPER | NICKEL PLATING              | 10  | STEEL    | NICKEL PLATING   |
| 3   | PBT              | (BLACK) UL94V-0             | 9   | CR       | (BLACK)          |
| 2   | BRASS            | ⑥                           | 8   | BRASS    | NICKLE PLATING   |
| 1   | ALUMINUM ALLOY   | NICKEL PLATING              | 7   | STEEL    | NICKLE PLATING   |
| NO. | MATERIAL         | FINISH . REMARKS            | NO. | MATERIAL | FINISH . REMARKS |

|                           |  |                |           |  |  |         |      |
|---------------------------|--|----------------|-----------|--|--|---------|------|
| UNITS<br>mm               |  | SCALE<br>4 : 1 | COUNT<br> | DESCRIPTION OF REVISIONS   | DESIGNED   | CHECKED | DATE |
| HIROSE ELECTRIC CO., LTD. |  |                |           | APPROVED : HY. KOBAYASHI 18.02.26<br>CHECKED : HY. KOBAYASHI 18.02.26<br>DESIGNED : DS. MATSUNE 18.02.26<br>DRAWN : DS. MATSUNE 18.02.26 | DRAWING NO. EDC-049138-31-00<br>PART NO. MXR-8P-8P(31)<br>CODE NO. CL127-0002-3-31 |         |      |