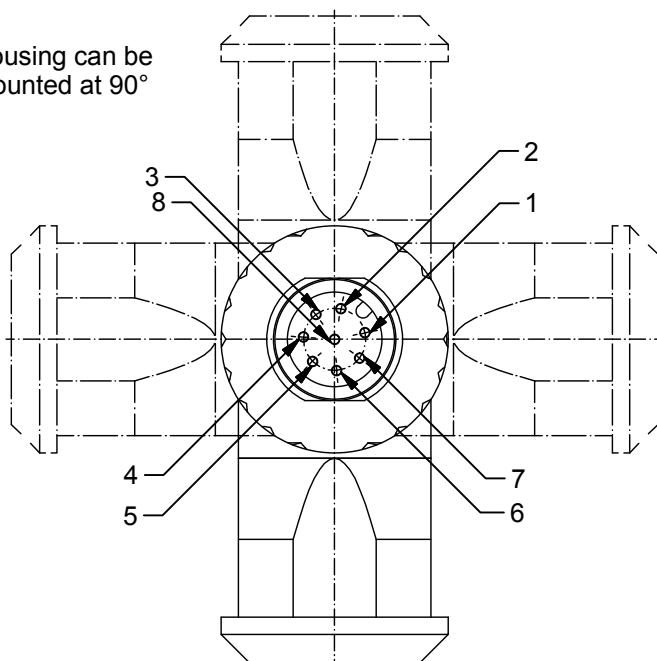


Housing can be mounted at 90°



Technical specification:

Rated voltage: 30 V
IEC 61076-2-101

Current rating: 2 A at 40°C, with 0,5mm²
IEC 61076-2-101

Insulation resistance: >=100 M
IEC 60512

Pollution degree: 3/2
IEC 60664-1

Degree of protection: IP 67, in mated condition
IEC 60529

Temperature range: -30°C ... +85°C
EN 60512-11-10
-40°C ... +85°C
EN 60512-11-4

Mating cycles: >=100
IEC 60512-9a

Wire cross section: max. AWG20 (0,50 mm²)
(incl. wire end ferrule)

Materials:

Contact: CuZn, Ni b / Au 0,2 gal.

Contact carrier: PA6, UL 94 V-0

Cable seal: Elastomere

O-Ring: FPM / NBR

Coupling nut: GD-Zn, Ni

Housing: PA6 GF, UL 94 HB

Installation specification:

Recommended torque: Contact: 0,3 Nm
Coupling nut: 0,6 Nm

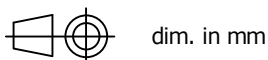
Conec installation tooling: Torque wrench: 36-000200
Insert across flats 18: 36-000240

Part no:	Description:	Cable-Ø:
43-00133	SAL - 12 - RSWC8 - S	4 - 8 mm

DO NOT ALTER CAD DRAWING BY HAND

RoHS & REACH compliant

Index a: Ä5971 - 16.02.16 Willer - encoding corrected, data sheet and labeling field updated



	date	name
drawn	16.10.13	Mankopf
appd.	16.10.13	Franz

general tolerance: 0 ± 0,50mm
0,0 ± 0,25mm
0,00 ± 0,10mm



THIS DRAWING MAY NOT BE COPIED OR REPRODUCED IN ANY WAY, AND MAY NOT BE PASSED ON TO A THIRD PARTY WITHOUT WRITTEN PERMISSION. OWNERSHIP AND COPYRIGHT OF CONEC GmbH

title:	Male connector M12x1, 8pos, field attachable, angled, with screw connection
	dwg no: 43K1A2195
part no:	see table