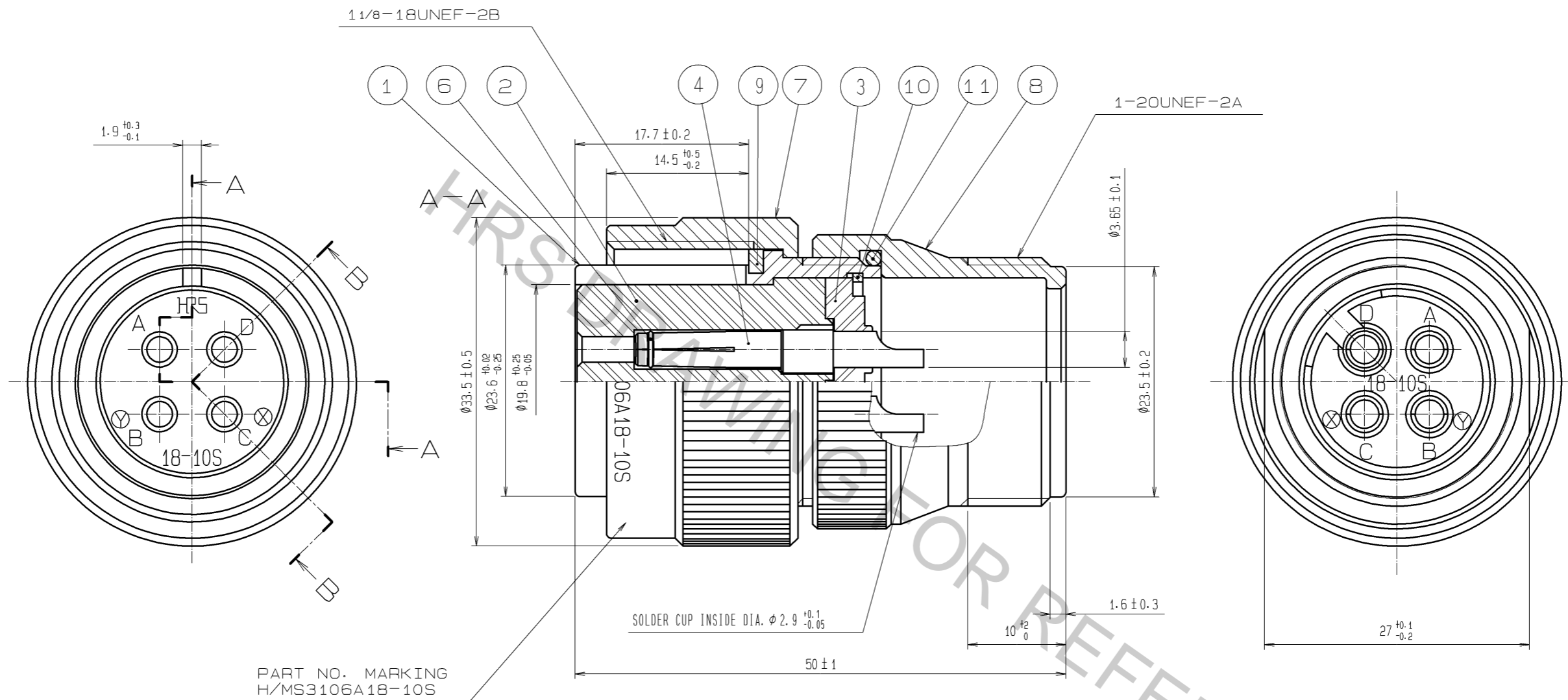
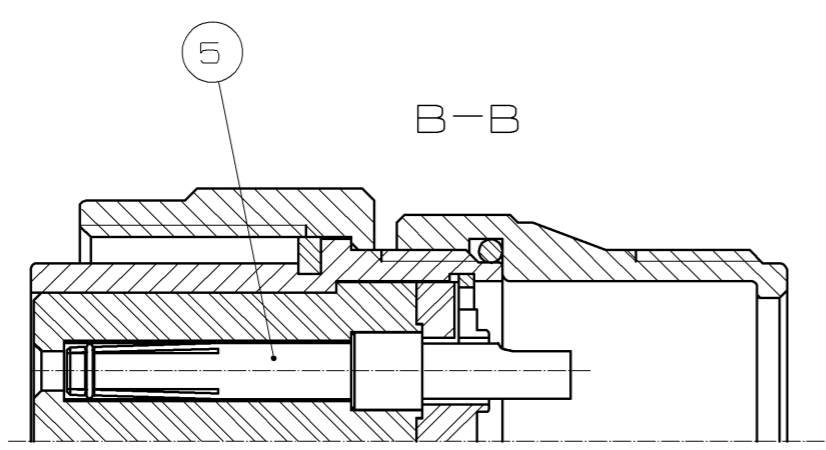


Aug.1.2018 Copyright 2018 HIROSE ELECTRIC CO., LTD. All Rights Reserved.  
 In case that the application demands a high level of reliability, such as automotive,  
 please contact a company representative for further information.



PART NO. MARKING  
 H/MS3106A18-10S



NOTE 1 ONE EXAMPLE OF THE ROTATION OF REF. ⑥ TO REF. NO. ① IS SHOWN.

| NO. | MATERIAL              | FINISH .       | REMARKS   | NO. | MATERIAL        | FINISH .                                      | REMARKS |
|-----|-----------------------|----------------|-----------|-----|-----------------|-----------------------------------------------|---------|
| 6   | STAINLESS STEEL       |                |           | 11  | SILICONE RUBBER | (BLACK)                                       |         |
| 5   | PHOSPHOR BRONZE       | SILVER PLATING | 4 μm min. | 10  | PHOSPHOR BRONZE | NICKEL PLATING                                |         |
| 4   | PHOSPHOR BRONZE       | SILVER PLATING | 4 μm min. | 9   | SILICONE RUBBER | (BLACK)                                       |         |
| 3   | POLYPHENYLENE SULFIDE | (BLACK)        | UL94V-0   | 8   | ALUMINUM ALLOY  | BLACK CHROMATE TREATMENT (TRIVALENT CHROMIUM) |         |
| 2   | POLYPHENYLENE SULFIDE | (BLACK)        | UL94V-0   | 7   | ALUMINUM ALLOY  | BLACK CHROMATE TREATMENT (TRIVALENT CHROMIUM) |         |

| UNITS                 | SCALE | COUNT | DESCRIPTION OF REVISIONS | DESIGNED                     | CHECKED | DATE |
|-----------------------|-------|-------|--------------------------|------------------------------|---------|------|
| mm                    | 2 : 1 | △     |                          |                              |         |      |
| APPROVED : EJ. KUNII  |       |       | 13.07.29                 | DRAWING NO. EDC3-048960-73   |         |      |
| CHECKED : HY. KISHI   |       |       | 13.07.29                 | PART NO. H/MS3106A18-10S(73) |         |      |
| DESIGNED : HK. NAMA I |       |       | 13.07.25                 | CODE NO. CL120-0605-4-73     |         |      |
| DRAWN : HK. NAMA I    |       |       | 13.07.25                 | △ 1/1                        |         |      |