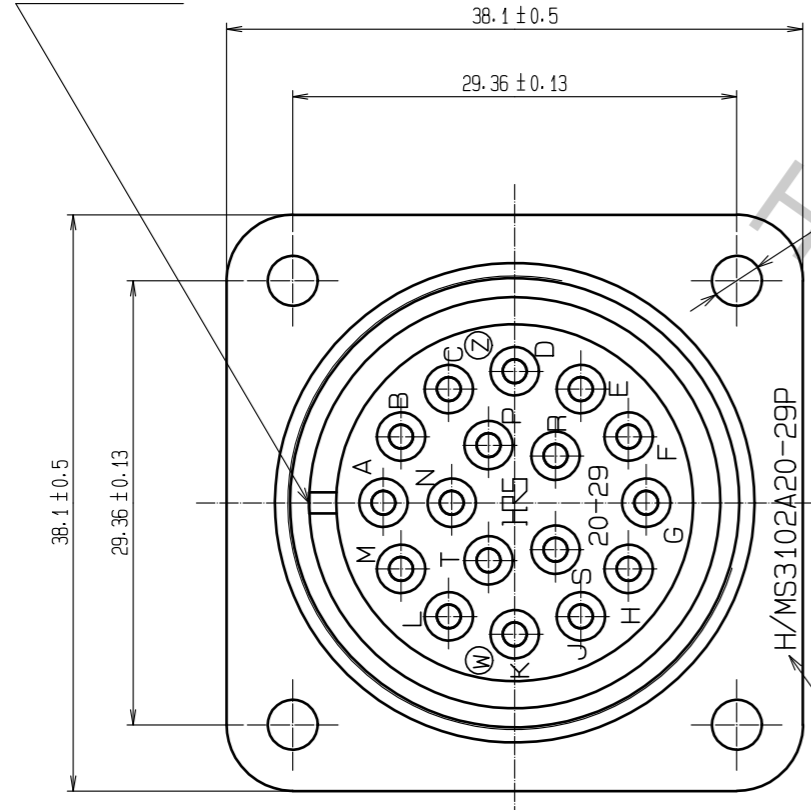


Aug.1.2018 Copyright 2018 HIROSE ELECTRIC CO., LTD. All Rights Reserved.
 In case that the application demands a high level of reliability, such as automotive,
 please contact a company representative for further information.

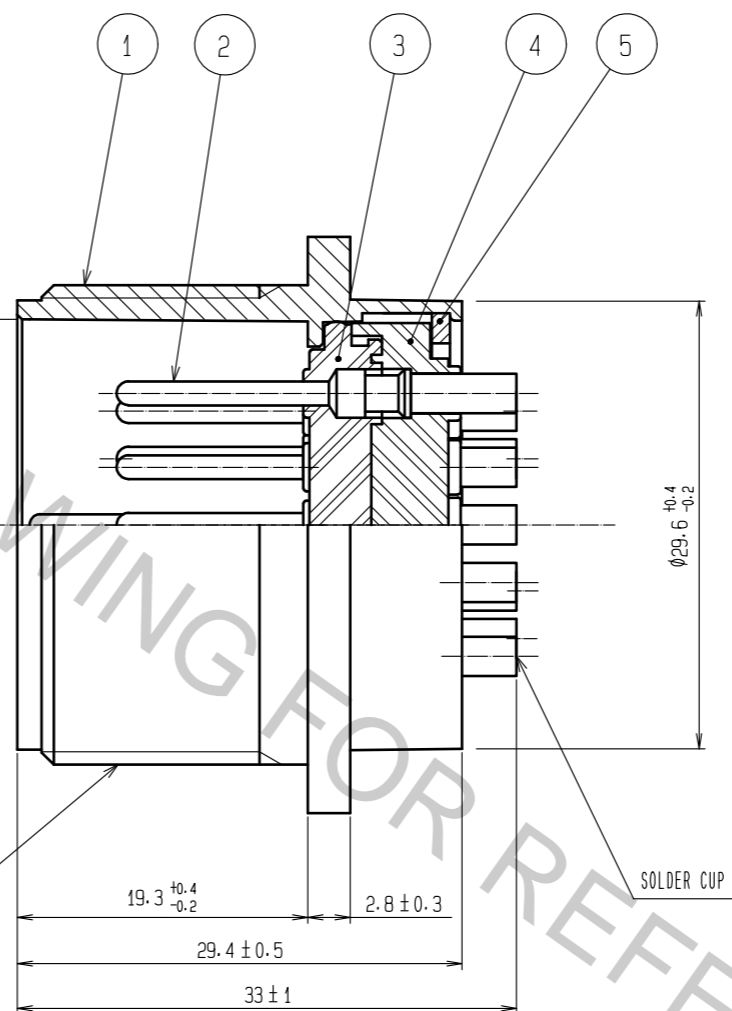
MATING GUIDE



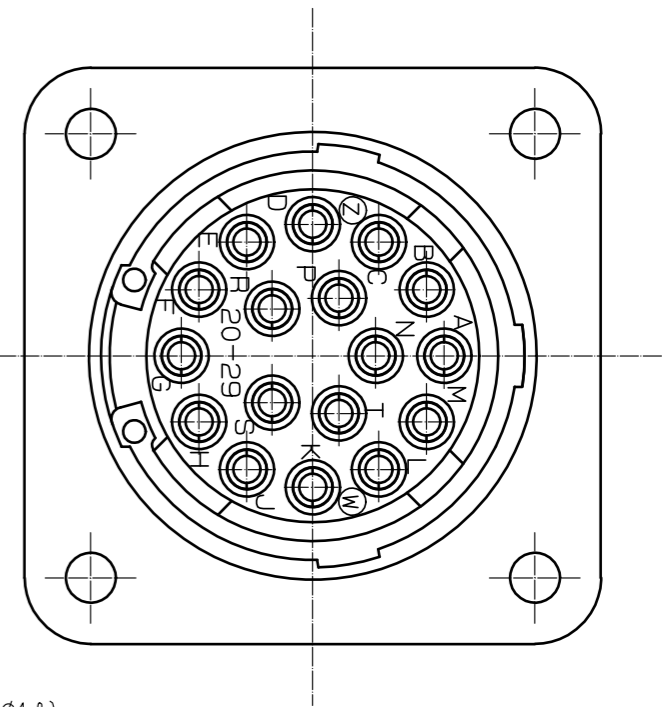
4- ϕ 3.3⁰_{-0.25}

PART NO. MARKING

11/4-18UNEF-2A



SOLDER CUP INSIDE DIA. (ϕ 1.8)



3	SILICONE RUBBER	(BLACK)			
2	BRASS	SILVER PLATING 2 μ m min.	5	STEEL	NICKEL PLATING
1	ALUMINUM ALLOY	BLACK CHROMATE TREATMENT (TRIVALENT CHROMIUM)	4	PBT	(BLACK) UL94V-0
NO.	MATERIAL	FINISH . REMARKS	NO.	MATERIAL	FINISH . REMARKS
UNITS mm		SCALE 2 : 1	COUNT 	DESCRIPTION OF REVISIONS	DESIGNED
					CHECKED
					DATE
HRS HIROSE ELECTRIC CO., LTD.		APPROVED : HY. KOBAYASHI	18.06.08	DRAWING NO. EDC-040591-73-00	
		CHECKED : HY. KOBAYASHI	18.06.08	PART NO. H/MS3102A20-29P(73)	
		DESIGNED : HY. KISHI	18.06.08	CODE NO. CL120-0103-6-73	
		DRAWN : HY. KISHI	18.06.08		