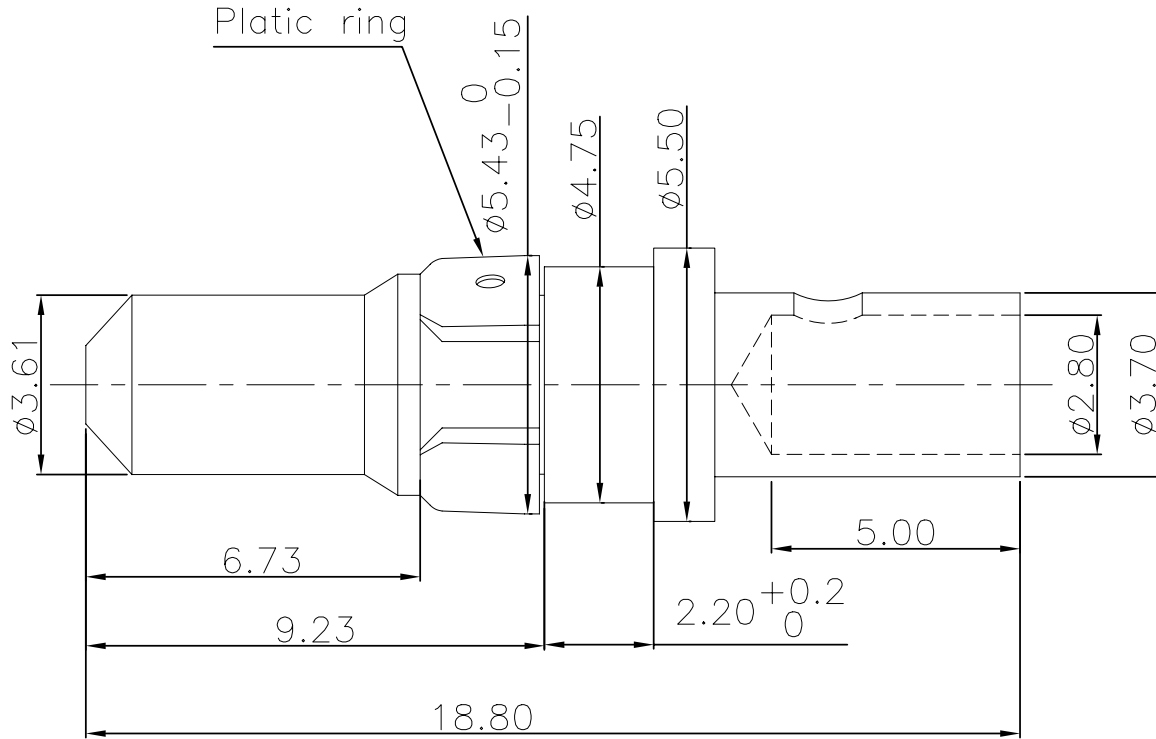


This document is the property of Amphenol Corporation and is delivered on the express condition that it is not to be disclosed, reproduced or used, in whole or in part for manufacture or sale by anyone other than Amphenol Corporation without its prior consent, & that no right is granted to disclose or to use any information in this document.

REVISIONS				
SYM	ECN	DESCRIPTION	DATE	APPROVED
1			09/04/09	



Notes:

- Material and finish  
Body: CuZn36Pb3  
30u" min gold plating over 50u" min nickel over all,tempering(heat-treat ment)
- Technical characteristics  
Peak voltage: 750V  
Operating voltage: 500V  
Temperature range: -55°C up to +125°C  
Current capability 20 to 30 Amp
- There should be no crack when crimping the cable on the crimping side
- No burrs,no crack on the contact



# Customer drawing

UNLESS OTHERWISE SPECIFIED <b>TOLERANCES</b> U.S. METRIC .X +/- 0.20 .XX +/- 0.10 .XXX +/- 0.05 FRACTIONS +/- ANGLES +/- 2°	APPROVAL DRAWN christina.cui CHECKED lik.wang CHECKED	DATE 09/04/09 09/04/09	<b>Amphenol</b> Amphenol East Asia Limited
	DRAWING FILE :		
FOR MATERIALS AND FINISHES SEE NOTES REMOVE SHARP EDGES DIMENSIONS U.S. INCHES METRIC MM	ANGLE OF PROJECTION 		SIZE DRAWING NO. A4 C L17DM53745-217
	SCALE NONE	SHEET 1 OF 1	REV. 1