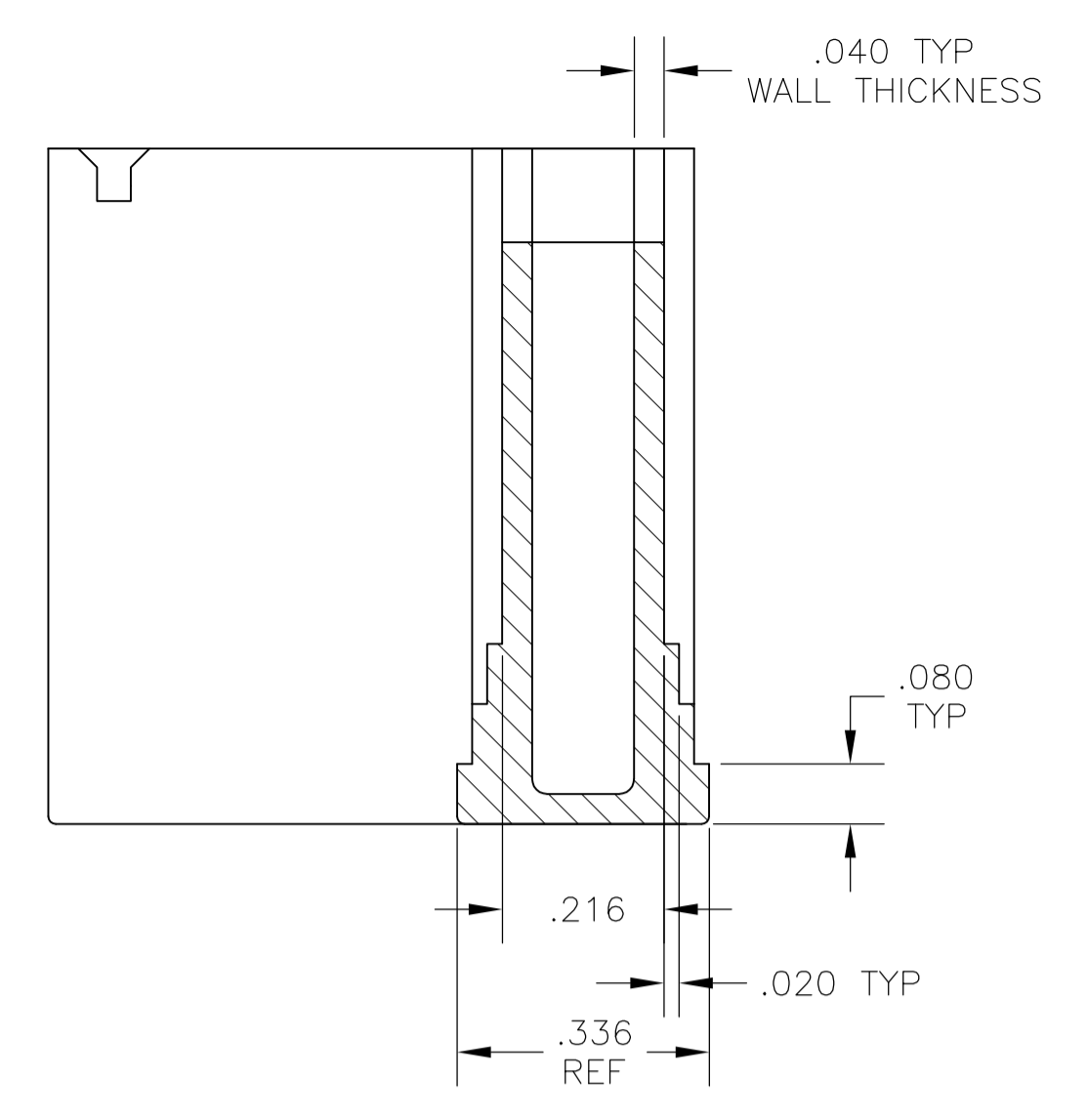
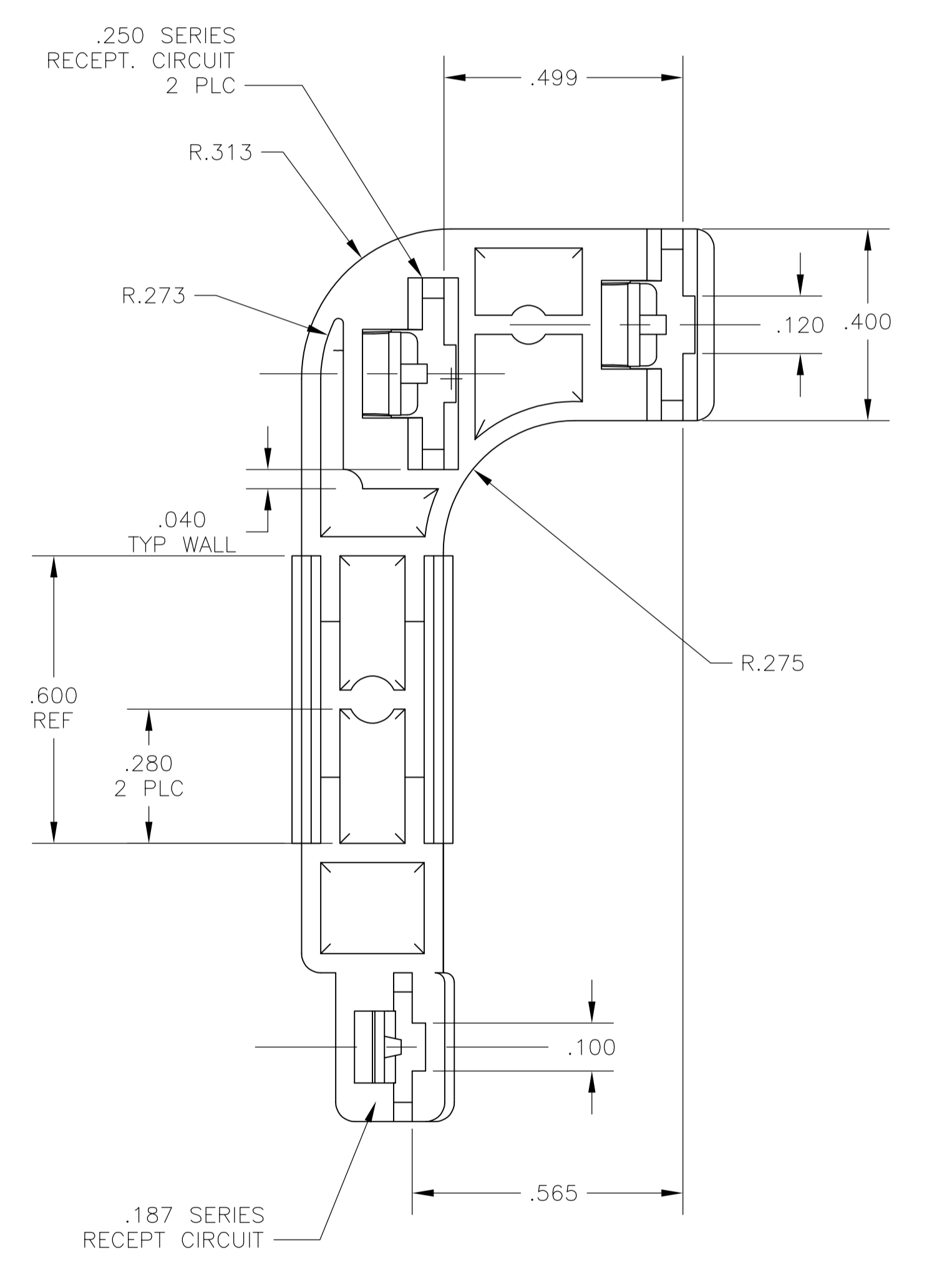
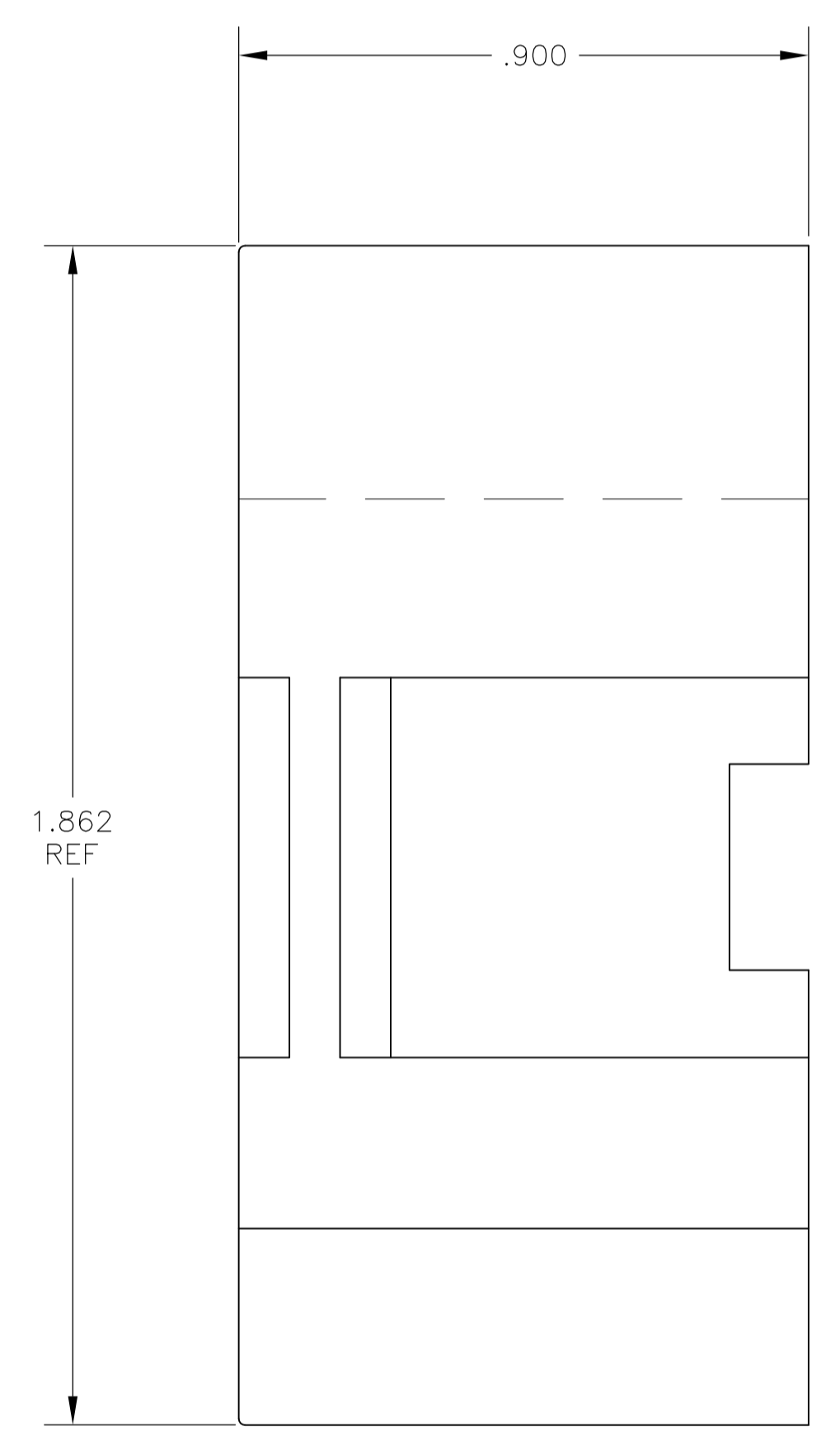
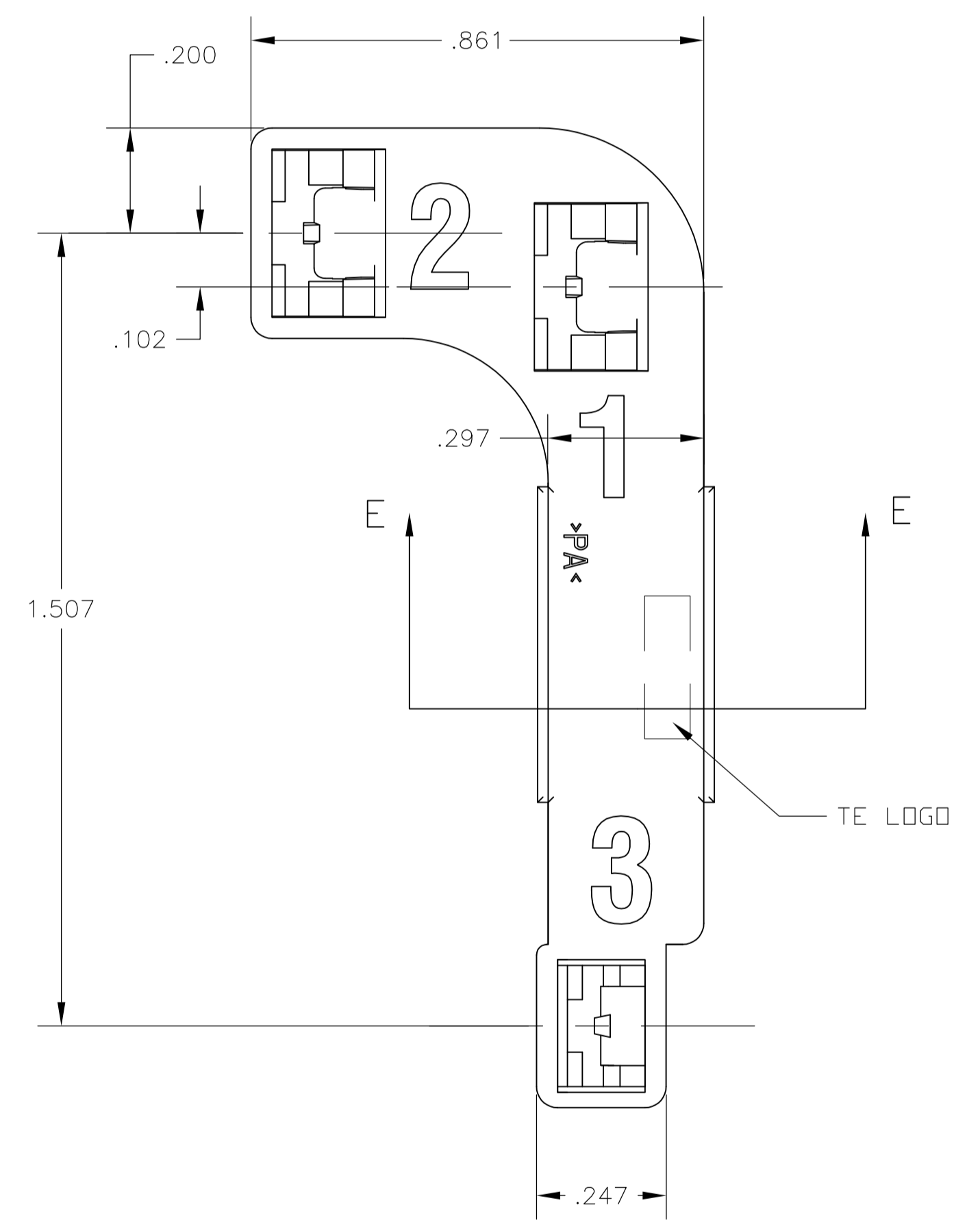
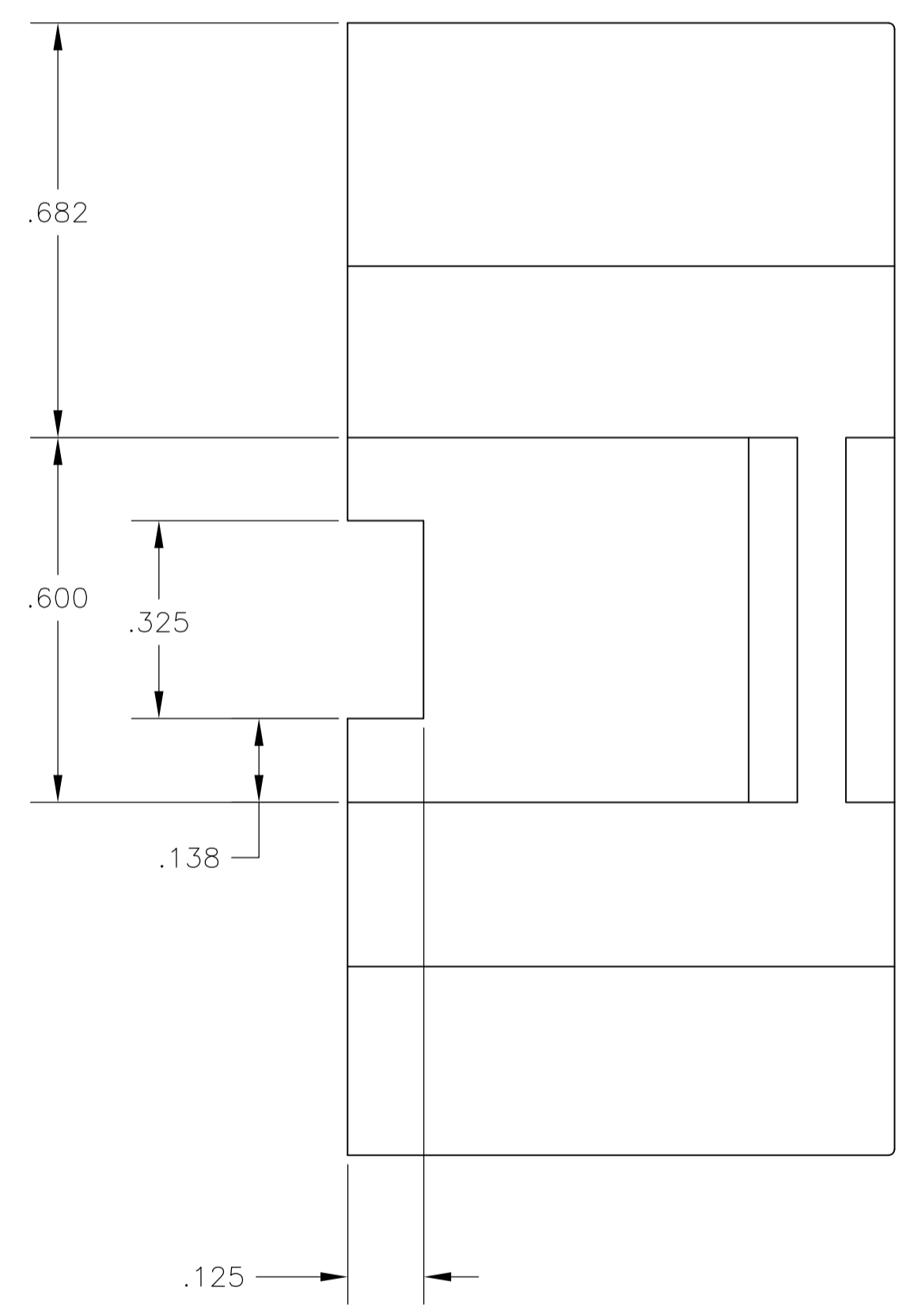


LOC		DIST		REVISIONS			
P	LTR	DESCRIPTION	DATE	DNW	APVD		
AF	58						
A3		REVISED PER ECO-13-000092	03JAN13	JR	PD		



SECTION E-E



1969116-1  
PART NO.

THIS DRAWING IS A CONTROLLED DOCUMENT.		DRN JR_RUTH 28MAR07	STE TE Connectivity	
DIMENSIONS: INCHES		CHK P_DESANTIS 27MAR07	NAME HOUSING, RECEPTACLE, FASTON, .187 & .250 SERIES	
TOLERANCES UNLESS OTHERWISE SPECIFIED:		APVD P_DESANTIS 27MAR07	PRODUCT SPEC	
0 PLC ± -		APPLICATION SPEC		
1 PLC ± -		SIZE A1		
2 PLC ± -		CAGE CODE 00779		
3 PLC ± .005		DRAWING NO 1969116		
4 PLC ± -		RESTRICTED TO		
ANGLES ± -		WEIGHT		
MATERIAL NYLON 66, V2		CUSTOMER DRAWING		
FINISH COLOR - NATURAL		SCALE 4:1		
		SHEET 1 OF 1		
		REV A3		