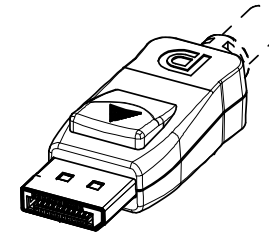


WITH LATCHES

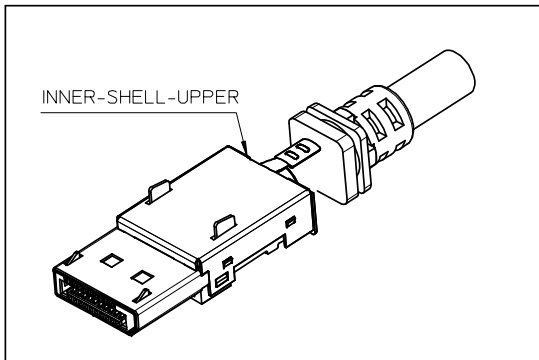


WITHOUT LATCHES

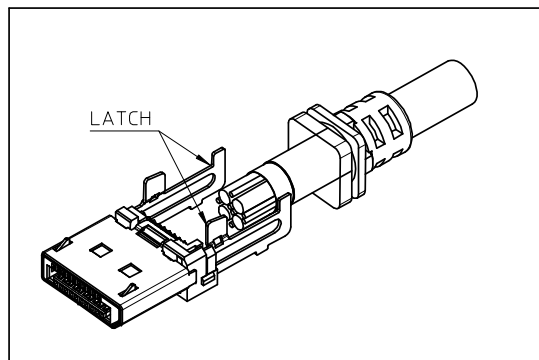
NOTES:

1. CABLE ASSEMBLY DRAWING ONLY FOR CUSTOMER REFERENCE. ALL COMPONENTS WILL BE DELIVERED DISPERSEDLY.
2. THIS PART MEET VESA PROPOSED STANDARD, VERSION1.1.
3. MATES WITH 47272-0001
4. USE WITH CABLE 28&30 AWG
5. MATERIAL :
HOUSING : HGIIH TEMPERATURE THERMAL PLASTIC GLASS FILLED , BLACK, UL94V-0
TERMINAL: COPPER ALLOY THICKNESS 0.3 MM
SHIELD CASE : COPPER ALLOY THICKNESS 0.3 MM
6. PLATING :
TERMINAL:
CONTACT AREA : GOLD 0.76 MICROMETER MINIMUM.
UNDER PLATING : NICKEL 1.27 MICROMETER MINIMUM.
7. PRODUCT SPEC: PS-47272-001
8. CONNECTOR DIRECT SOLDER WITH WIRE
9. PRODUCT COMPLANT TO ROHS DIERTIVE 2002/95/EC AND ELV DIRECTIVE 2000/53/EC

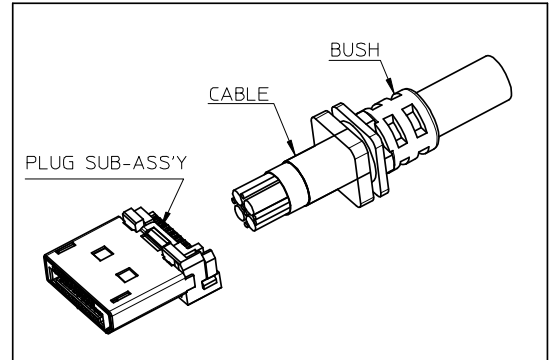
NEW RELEASE EC NO: SH2008-0288 DRWN: HHE 2008/04/07 CHKD: RZHANG 2008/04/07 APPR: HWANG 2008/04/25 REV DESCRIPTION	QUALITY SYMBOLS	GENERAL TOLERANCES (UNLESS SPECIFIED)	DIMENSION STYLE	SCALE	DESIGN UNITS	THIRD ANGLE PROJECTION	
	$\nabla=0$ $\text{C}=0$	mm INCH 4 PLACES \pm --- \pm --- 3 PLACES \pm --- \pm --- 2 PLACES \pm 0.15 \pm --- 1 PLACE \pm 0.15 \pm --- ANGULAR \pm 1°	MM ONLY	2:1	METRIC		
		DRAFT WHERE APPLICABLE MUST REMAIN WITHIN DIMENSIONS	DRAWN BY: QWFANG CHECKED BY: IWANG APPROVED BY: JNCHEN MATERIAL NO.: SEE SHEET 3 SIZE: A3	DATE: 2006/09/05 DATE: 2006/09/05 DATE: 2006/09/05	TITLE: PLUG ASS'Y FOR DISPLAYPORT MOLEX INCORPORATED DOCUMENT NO.: SD-47271-001 SHEET NO.: 1 OF 5		
			THIS DRAWING CONTAINS INFORMATION THAT IS PROPRIETARY TO MOLEX INCORPORATED AND SHOULD NOT BE USED WITHOUT WRITTEN PERMISSION				



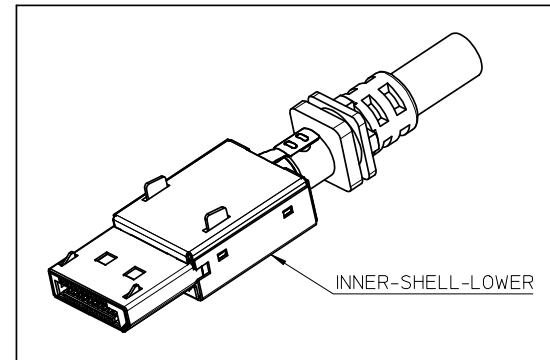
ASSEMBLING THE INNER-SHELL-UPPER



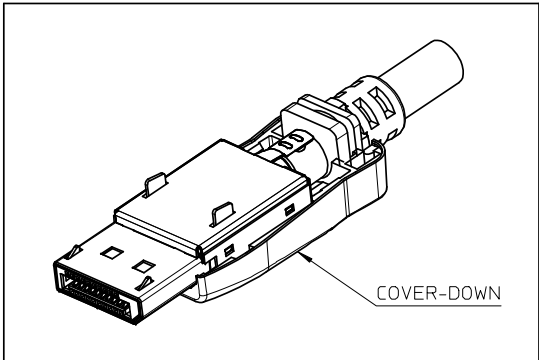
ASSEMBLING THE LATCHES
(W/O LATCH TYPE NEEDN'T THIS STEP)



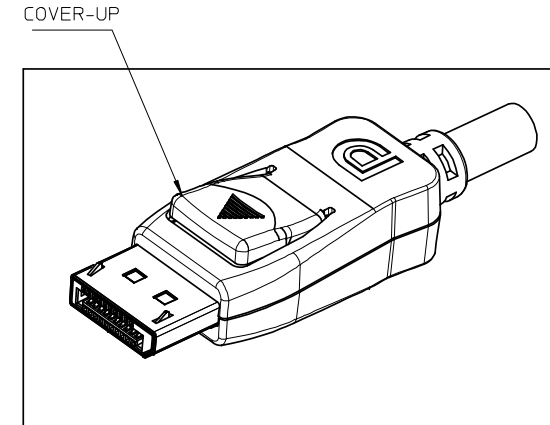
WELDING SUB-ASS'Y AND CABLE



ASSEMBLING THE INNER-SHELL-LOWER



ASSEMBLING THE COVER-DOWN



ASSEMBLING THE COVER-UP

ASSEMBLY PROCESS

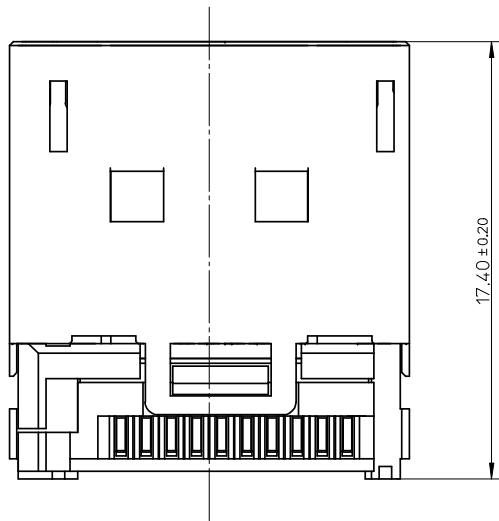
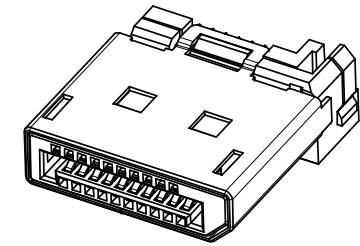
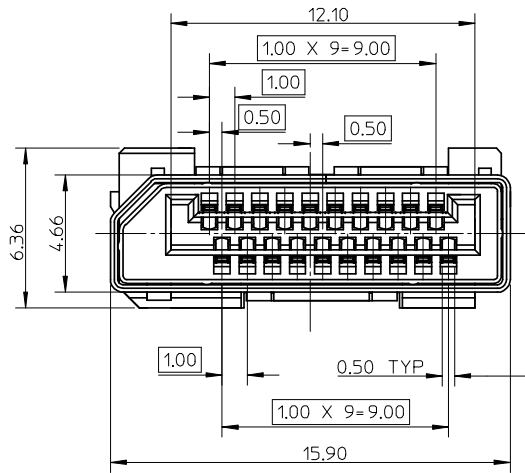
SEE SHEET 1 EC NO: SH2008-0288 DRWN: HHE 2008/04/07 CHKD: RZHANG 2008/04/08 APPR: HWANG 2008/04/25	DESCRIPTION REV	QUALITY SYMBOLS ▽=0 ◻=0	GENERAL TOLERANCES (UNLESS SPECIFIED)		DIMENSION STYLE MM ONLY		SCALE 2:1	DESIGN UNITS METRIC	THIRD ANGLE PROJECTION			
		4 PLACES ± --- ± --- 3 PLACES ± --- ± --- 2 PLACES ± 0.15 ± --- 1 PLACE ± 0.15 ± ---	mm INCH	DRAWN BY QWFANG	DATE 2006/09/05	TITLE PLUG ASS'Y FOR DISPLAYPORT						
		ANGULAR ± 1 °		CHECKED BY IWANG	DATE 2006/09/05	APPROVED BY JNCHEN						
		DRAFT WHERE APPLICABLE MUST REMAIN WITHIN DIMENSIONS		MATERIAL NO. SEE SHEET 3	DATE 2006/09/05	MOLEX INCORPORATED			DOCUMENT NO. SD-47271-001	SHEET NO. 2 OF 5		

COMPONENT	PLUG SUB-ASS'Y	COVER-DOWN	COVER-UP	INNER-SHELL-UPPER	INNER-SHELL-LOWER	LATCH	LATCH	REMARK
COMPONENT P/N	47271-0011	47271-0005	47271-0004	47271-1008	47271-1009	47271-1016	47271-2016	WITH LATCH
	47271-1011	47271-0005	47271-1004	47271-3008	47271-1009	/	/	WITHOUT LATCH
	DETAIL SEE SD-47271-001	DETAIL SEE SD-47271-005	DETAIL SEE SD-47271-004	DETAIL SEE SD-47271-008	DETAIL SEE SD-47271-009	DETAIL SEE SD-47271-006		

NOTES:
ALL COMPONENTS QUANTITY ARE 1.

SEE SHEET 1 EC NO: SH2008-0288 DRWN: HHE 2008/04/07 CHKD: RZHANG 2008/04/08 APPR: HWANG 2008/04/25	QUALITY SYMBOLS =0 =0	GENERAL TOLERANCES (UNLESS SPECIFIED)		DIMENSION STYLE MM ONLY		SCALE 5:1	DESIGN UNITS METRIC	THIRD ANGLE PROJECTION		
			mm	INCH	DRAWN BY QWFANG	DATE 2006/09/05	TITLE PLUG ASS'Y FOR DISPLAYPORT			
		4 PLACES	± ---	± ---	CHECKED BY IWANG	DATE 2006/09/05				
		3 PLACES	± ---	± ---	APPROVED BY JNCHEN	DATE 2006/09/05	MOLEX INCORPORATED DOCUMENT NO. SD-47271-001 SHEET NO. 3 OF 5			
2 PLACES	± 0.15	± ---	MATERIAL NO. SEE TABLE							
1 PLACE	± 0.15	± ---	DRAFT WHERE APPLICABLE MUST REMAIN WITHIN DIMENSIONS		THIS DRAWING CONTAINS INFORMATION THAT IS PROPRIETARY TO MOLEX INCORPORATED AND SHOULD NOT BE USED WITHOUT WRITTEN PERMISSION					
		ANGULAR ± 1 °		SIZE A3						

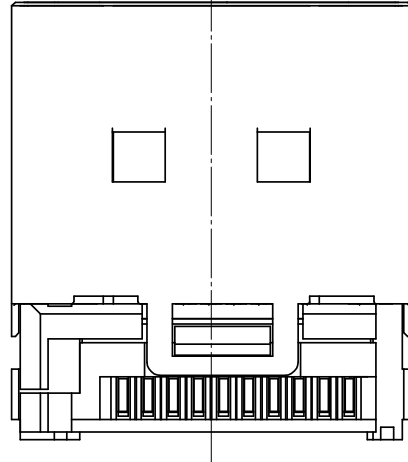
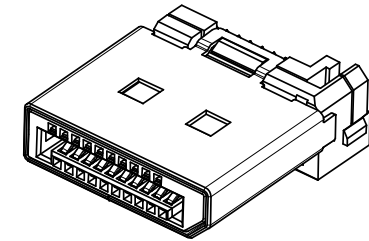
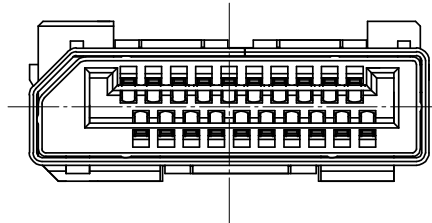
10 9 8 7 6 5 4 3 2 1



NOTES:
THIS PART IS WITH LATCHES TYPE.
CAN BE ASSEMBLED WITH LATCHES.

SEE SHEET1 EC NO: SH2008-0288 DRWN: HHE 2008/04/07 CHKD: RZHANG 2008/04/08 APPR: HWANG 2008/04/25	DESCRIPTION QUALITY SYMBOLS ▽=0 ◻=0	GENERAL TOLERANCES (UNLESS SPECIFIED)		DIMENSION STYLE MM ONLY		SCALE 5:1	DESIGN UNITS METRIC	THIRD ANGLE PROJECTION		
			mm	INCH	DRAWN BY	DATE	TITLE PLUG ASS'Y FOR DISPLAYPORT			
		4 PLACES	± ---	± ---	QWFANG	2006/09/05				
		3 PLACES	± ---	± ---	CHECKED BY	DATE	MOLEX INCORPORATED			
2 PLACES	± 0.15	± ---	IWANG	2006/09/05						
1 PLACE	± 0.15	± ---	APPROVED BY	DATE	MATERIAL NO. 47271-0011		DOCUMENT NO. SD-47271-001		SHEET NO. 4 OF 5	
		ANGULAR ± 1 °		JNCHEN 2006/09/05		THIS DRAWING CONTAINS INFORMATION THAT IS PROPRIETARY TO MOLEX INCORPORATED AND SHOULD NOT BE USED WITHOUT WRITTEN PERMISSION				
DRAFT WHERE APPLICABLE MUST REMAIN WITHIN DIMENSIONS										

9 8 7 6 5 4 3 2 1



NOTES:
 THIS PART IS WITHOUT LATCHES TYPE.
 CAN'T BE ASSEMBLED WITH LATCHES.
 UNSPECIFIED DIMENSIONS ARE SAME AS SHEET 4.

SEE SHEET1 EC NO: SH2008-0288 DRWN: HHE 2008/08/06/07 CHK: KDRZHANG 2008/04/08 APPR: HWANG 2008/04/25	DESCRIPTION REV	QUALITY SYMBOLS ▽=0 ◻=0	GENERAL TOLERANCES (UNLESS SPECIFIED)		DIMENSION STYLE MM ONLY		SCALE 5:1	DESIGN UNITS METRIC	THIRD ANGLE PROJECTION		
			4 PLACES ± --- ± --- 3 PLACES ± --- ± --- 2 PLACES ± 0.15 ± --- 1 PLACE ± 0.15 ± ---	mm INCH ± --- ± --- ± 0.15 ± --- ± 0.15 ± ---	DRAWN BY QWFANG	DATE 2006/09/05	TITLE PLUG ASS'Y FOR DISPLAYPORT				
			ANGULAR ± 1 °		CHECKED BY IWANG	DATE 2006/09/05	APPROVED BY JNCHEN 2006/09/05				
			DRAFT WHERE APPLICABLE MUST REMAIN WITHIN DIMENSIONS		MATERIAL NO. 47271-1011	DOCUMENT NO. SD-47271-001	MOLEX INCORPORATED		SHEET NO. 5 OF 5		