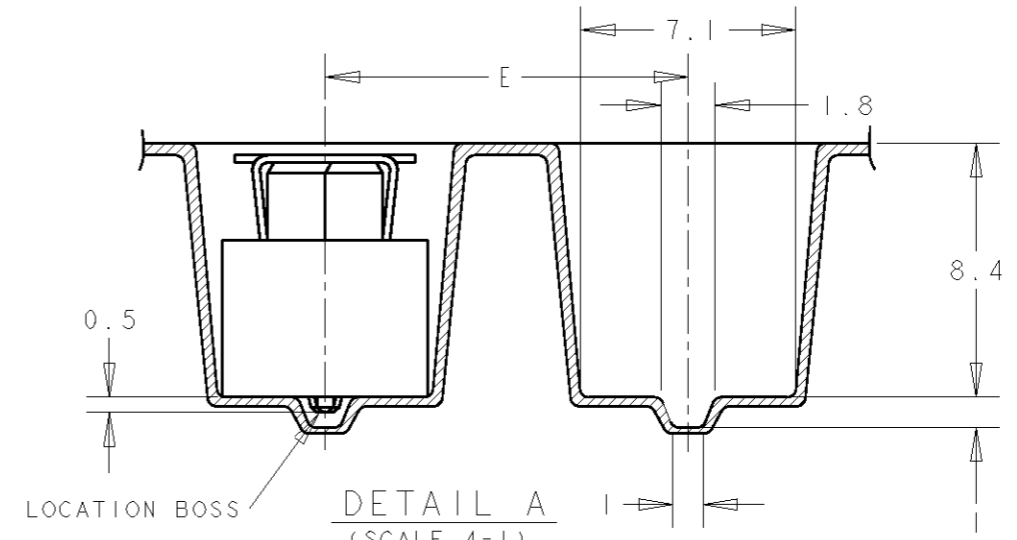
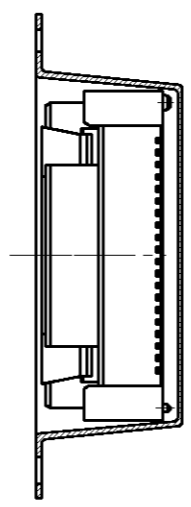
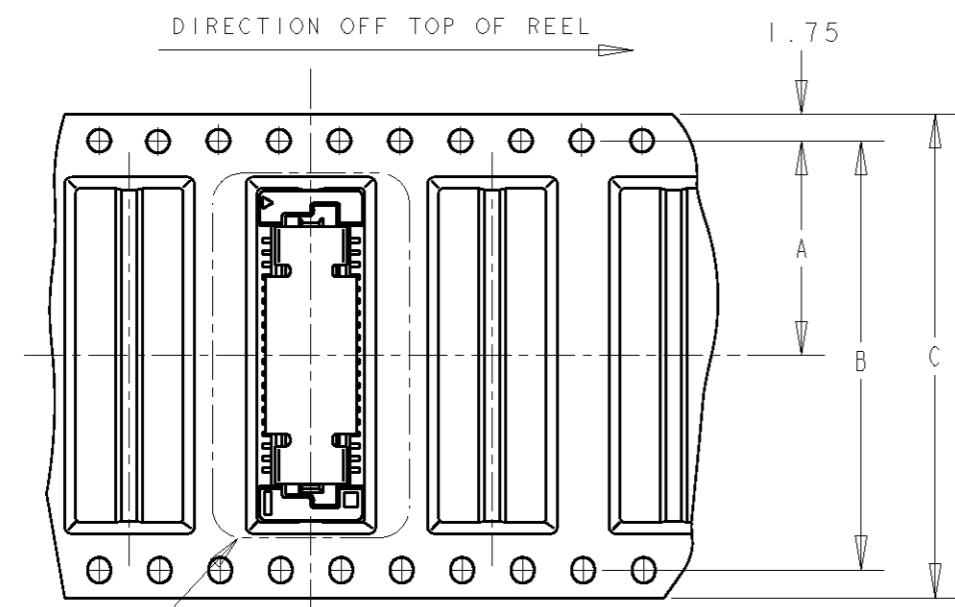
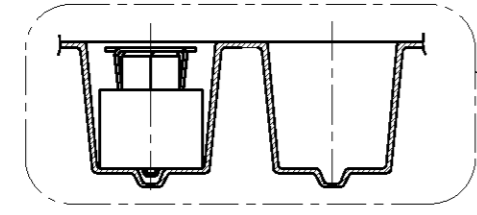


THIS DRAWING IS UNPUBLISHED. RELEASED FOR PUBLICATION .19 .
 BY - ALL RIGHTS RESERVED.

LOC	DIST	REVISIONS					
DY	-	P	LTR	DESCRIPTION	DATE	DWN	APVD
		B1		REVISED PER ECO-11-005139	19MAR11	RK	HMR

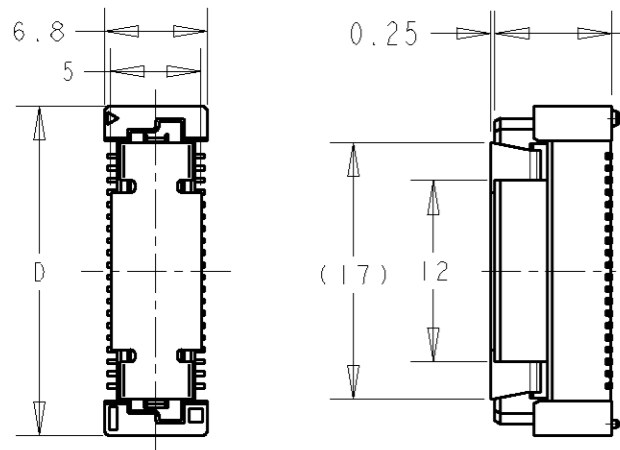
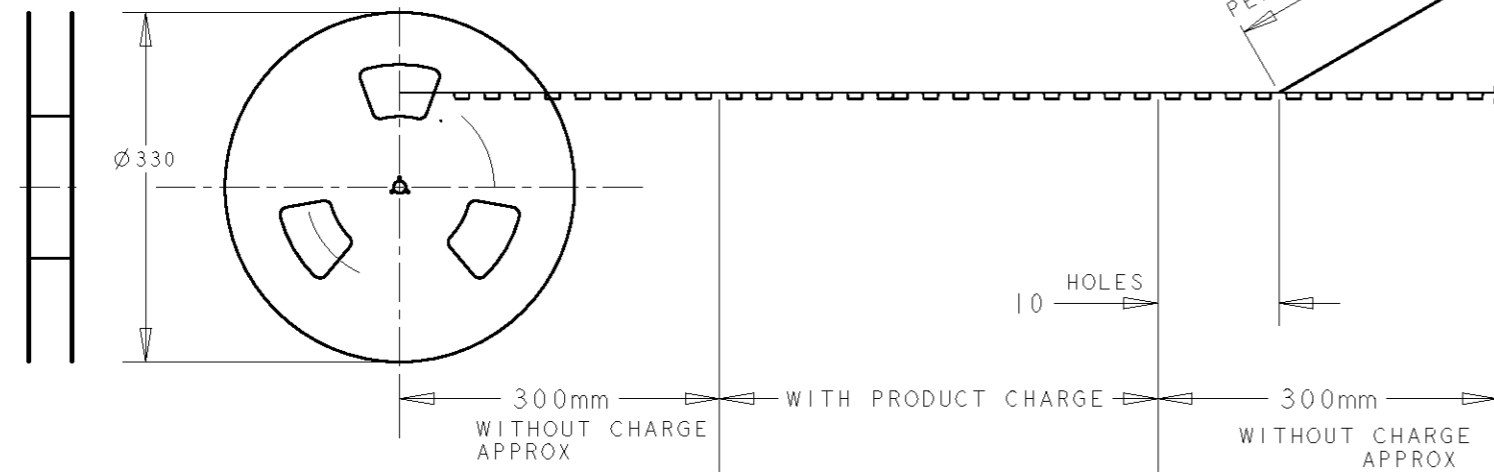


DETAIL B



DETAIL A

WINDING THE COVER TAPE
 AROUND THE OUTER
 PERIPHERY IN A TURN.



DETAIL B

- NOTES:
- 1 0.00076 MIN GOLD PLATING. (30u INCHES GOLD PLATING)
 - 2 0.00020 MIN GOLD PLATING. (Au FLASH PLATING)
 - 3 0.00038 MIN GOLD PLATING. (15u INCHES GOLD PLATING)

REMARKS	QTY	E	D	C	B	A	POS	CONN P/N	PART NO		
1	400	16	61.8	88	84.4	42.2	140	-6	7-	-6	
	400	16	53.8	72	68.4	34.2	120	-5	7-	-5	
	400	16	45.8	72	68.4	34.2	100	-4	7-	-4	
	500	12	37.8	56	52.4	26.2	80	-3	7-	-3	
	500	12	29.8	44	40.4	20.2	60	-2	7-	-2	
	500	12	21.8	32	28.4	14.2	40	5084613-1	7-5179180-1		
2	400	16	61.8	88	84.4	42.2	140	5-	-6	5-	-6
	400	16	53.8	72	68.4	34.2	120	5-	-5	5-	-5
	400	16	45.8	72	68.4	34.2	100	5-	-4	5-	-4
	500	12	37.8	56	52.4	26.2	80	5-	-3	5-	-3
	500	12	29.8	44	40.4	20.2	60	5-	-2	5-	-2
	500	12	21.8	32	28.4	14.2	40	5-5179009-1	5-5179180-1		
3	400	16	61.8	88	84.4	42.2	140	-6	3-	-6	
	400	16	53.8	72	68.4	34.2	120	-5	3-	-5	
	400	16	45.8	72	68.4	34.2	100	-4	3-	-4	
	500	12	37.8	56	52.4	26.2	80	-3	3-	-3	
	500	12	29.8	44	40.4	20.2	60	-2	3-	-2	
	500	12	21.8	32	28.4	14.2	40	1735859-1	3-5179180-1		

DOWNSIDE: FLORENCE TAN 14SEP04		TE Connectivity	
CHECKED: ERIC TNG			
APPROVED: SEIFONG		NAME: REC ASS'Y 9H TYPE (0.5 BOSS L) FOR FH 0.8mm B-T-B CONN, ON TAPING	
DIMENSIONS: mm		PRODUCT SPEC: -	
TOLERANCES UNLESS OTHERWISE SPECIFIED:		APPLICATION SPEC: -	
0 PLC ±0.2		SIZE: A3	
1 PLC ±0.25		CAGE CODE: 00779	
2 PLC ±0.25		DRAWING NO: C-5179180	
3 PLC ±0.3		SCALE: 2:1	
4 PLC ±0.3		SHEET: 1 OF 1	
ANGLES ±3°		REV: B1	
FINISH: -		CUSTOMER DRAWING	