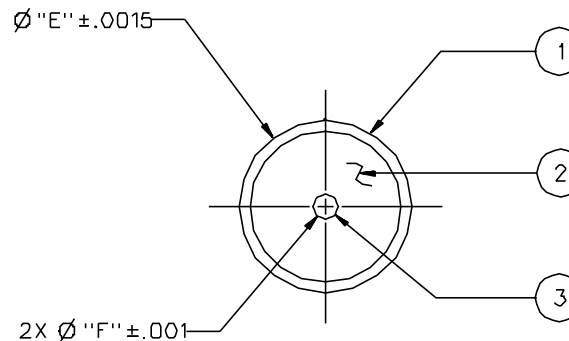
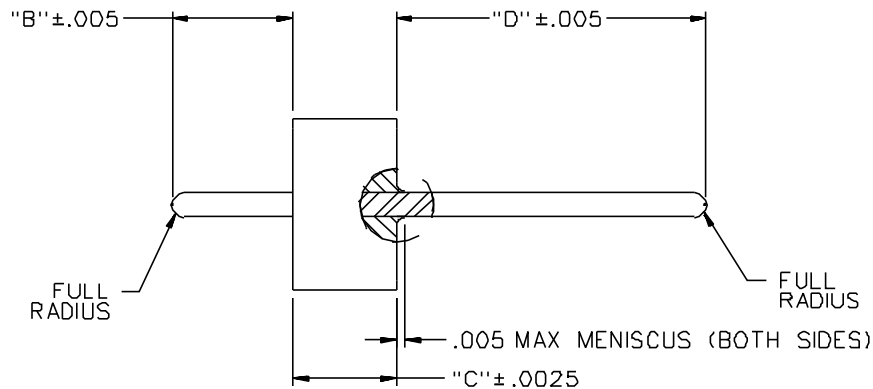


| PART NUMBER | ITEM ① OUTER RING | ITEM ② INSULATOR | ITEM ③ PIN | "B" | "C" | "D" | "E" | "F" |
|--------------|---|---|---|------|-------|------|-------|------|
| 142-1000-001 | KOVAR GOLD PL .00005 MIN OVER NICKEL PL .000005 MIN | GLASS, CORNING 7052 OR EQUIVALENT | KOVAR GOLD PL .00005 MIN OVER NICKEL PL .000005 MIN | .070 | .0625 | .180 | .0985 | .012 |
| 142-1000-002 | KOVAR GOLD PL .00005 MIN OVER NICKEL PL .000005 MIN | GLASS, CORNING 7070 OR EQUIVALENT | KOVAR GOLD PL .00005 MIN OVER NICKEL PL .000005 MIN | .072 | .0625 | .180 | .0985 | .015 |
| 142-1000-003 | KOVAR GOLD PL .00005 MIN OVER NICKEL PL .000005 MIN | GLASS, CORNING 7070 OR EQUIVALENT | KOVAR GOLD PL .00005 MIN OVER NICKEL PL .000005 MIN | .072 | .0600 | .180 | .1100 | .018 |
| 142-1000-004 | KOVAR GOLD PL .00005 MIN OVER NICKEL PL .000005 MIN | GLASS, CORNING 7052 OR EQUIVALENT | KOVAR GOLD PL .00005 MIN OVER NICKEL PL .000005 MIN | .070 | .0600 | .203 | .1580 | .020 |
| 142-1000-005 | KOVAR GOLD PL .00005 MIN OVER NICKEL PL .000005 MIN | GLASS, CORNING 7070 OR EQUIVALENT | KOVAR GOLD PL .00005 MIN OVER NICKEL PL .000005 MIN | .097 | .0600 | .168 | .1100 | .018 |

| | |
|--|-----------------------------------|
| DRAWING NO. | |
| B - 142-1000-001/010 | |
| 0 | REVISIONS |
| ENGINEERING RELEASE | |
| I | 4-17-95 R J R H K B ECN 43400 |
| ADDED: 142-1000-005 | |
| ***** * REVISION NUMBER FOLLOWED BY AN ALPHA * * CHARACTER INDICATES DRAWING CLARIFICATION OR PART NUMBER ADDITION ONLY * ***** | |
| Ia | 3-4-02 R J B 3-13-02 ECN 48283 |



NOTES:

- SPECIFICATIONS:
ELECTRICAL:

IMPEDANCE: 50 OHMS NOMINAL
 FREQUENCY RANGE: DC TO 26.5 GHZ
 VSWR: DEPENDANT ON APPLICATION
 WORKING VOLTAGE: 250 VRMS MAX AT SEA LEVEL
 DIELECTRIC WITHSTANDING VOLTAGE: 500 VRMS AT SEA LEVEL
 INSULATION RESISTANCE: 5000 MEGOHM MIN
 INSERTION LOSS: .015 F MAX (F IN GHZ)

ENVIRONMENTAL:


HERMETICITY: 1×10^{-8} cc/sec AT ONE ATMOSPHERE
 SOLDERABILITY: MIL-STD-202, METHOD 209
 OPERATING TEMPERATURE: -55 DEG C TO +165 DEG C

CUSTOMER DRAWING

THIS DRAWING TO BE INTERPRETED
 PER ANSII 14.5M - 1982

"μ STATION"

COMPANY CONFIDENTIAL

| | | | | |
|--------------------------------------|----|-------------|--------------|--|
| TOLERANCE UNLESS OTHERWISE SPECIFIED | | DRAWN BY | DATE |  Cinch Connectivity Solutions 299 Johnson Ave. Ste. 100 Waseca, MN 56093 1-800-247-8256 |
| DECIMALS | mm | JRK | 4-3-95 | |
| .XX | | CHECKED BY | DATE | TITLE 50 OHM FEEDTHRU, HERMETIC SEAL, MICROWAVE PERFORMANCE |
| .XXX | | JRK | 4-17-95 | |
| MATL | | APPROVED BY | DATE | |
| | | TAK | 4-18-95 | CODE NO. DRAWING NO. B - 142-1000-001/010 |
| | | APPROVED BY | DATE | |
| | | RJB | 4-19-95 | SCALE NONE U/M INCH SHEET 2 OF 2 |
| | | FINISH | RELEASE DATE | |
| | | | 4-20-95 | |