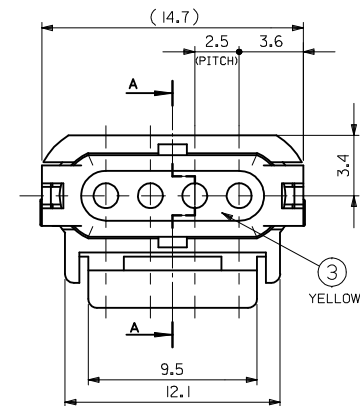
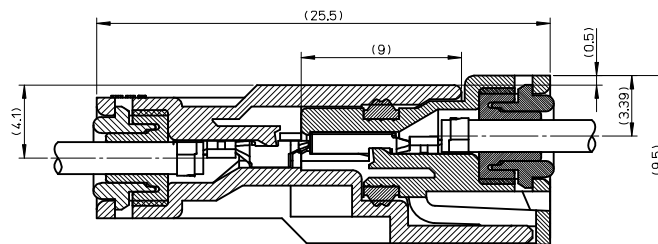
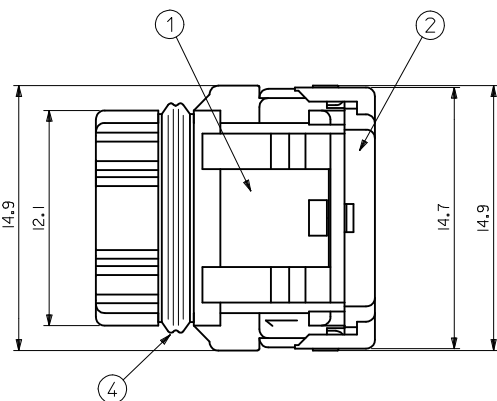


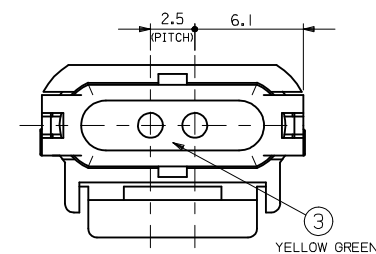
端子装着時の断面 A-A  
SECTION A-A TERMINAL ASSEMBLY DRAWING



52117-0410, 52117-0411



嵌合状態図  
FULLY MATED CONDITION



52117-0413

注記  
NOTE

- 適合端子: 50039-8\*00  
APPLICABLE TERMINAL: 50039-8\*00
- 嵌合相手: 52116-041\*  
MATES WITH: 52116-041\*
- 製品仕様書: PS-52117-008  
PRODUCT SPECIFICATION: PS-52117-008
- 取扱説明書: AS-52117-001  
APPLICATION SPECIFICATION: AS-52117-001
- ELV及びRoHS適合品  
ELV AND RoHS COMPLIANT

黒 BLACK	52117-0413	2
黒 BLACK	52117-0411	4
白 WHITE	52117-0410	4
色 COLOR	MATERIAL NO.	極数 CKT.

材料 MATERIAL	色 COLOR	名称 TITLE	
シリコンゴム SILICONE	黄 YELLOW	RING SEAL	④
シリコンゴム SILICONE	図参照 SEE DRAWING	WIRE END SEAL	③
ポリエステル POLYESTER (15%G.F.)	表参照 SEE CHART	CAP	②
ポリエステル POLYESTER (15%G.F.)	表参照 SEE CHART	REC. HOUSING	①
構成部品 COMPONENTS			

GENERAL TOLERANCES  
(UNLESS SPECIFIED)

10 UNDER	±0.2
10 OVER 30 UNDER	±0.25
30 OVER	±0.3
ANGULAR	±3 °

DRAFT WHERE APPLICABLE  
MUST REMAIN  
WITHIN DIMENSIONS

REVISED	DESCRIPTION
EC NO: JTR2016-0103	
DRWN: YFUSHIMI 2016/04/26	
CHKD: TAITO 2016/04/26	
APPR: MAYAMAMOTO 2016/04/27	
E1	

DIMENSION STYLE  
MM ONLY

DRAWN BY	DATE	TITLE
Y. ASHIZAWA	1988/07/12	2.5 WATERPROOF CONN. REC. HSG ASSY W/POSITIVE LOCK
CHECKED BY	DATE	
M. SAKANO	1994/04/12	
APPROVED BY	DATE	
M. ENOMOTO	1994/04/12	
MATERIAL NO.	DOCUMENT NO.	

SCALE  
5:1

DESIGN UNITS  
METRIC

THIRD ANGLE  
PROJECTION

SEE CHART

SIZE  
A2

THIS DRAWING CONTAINS INFORMATION THAT IS PROPRIETARY TO MOLEX  
INCORPORATED AND SHOULD NOT BE USED WITHOUT WRITTEN PERMISSION

2.5 WATERPROOF CONN.  
REC. HSG ASSY  
W/POSITIVE LOCK

**molex**

SD-52117-002

SHEET NO.  
1 OF 1