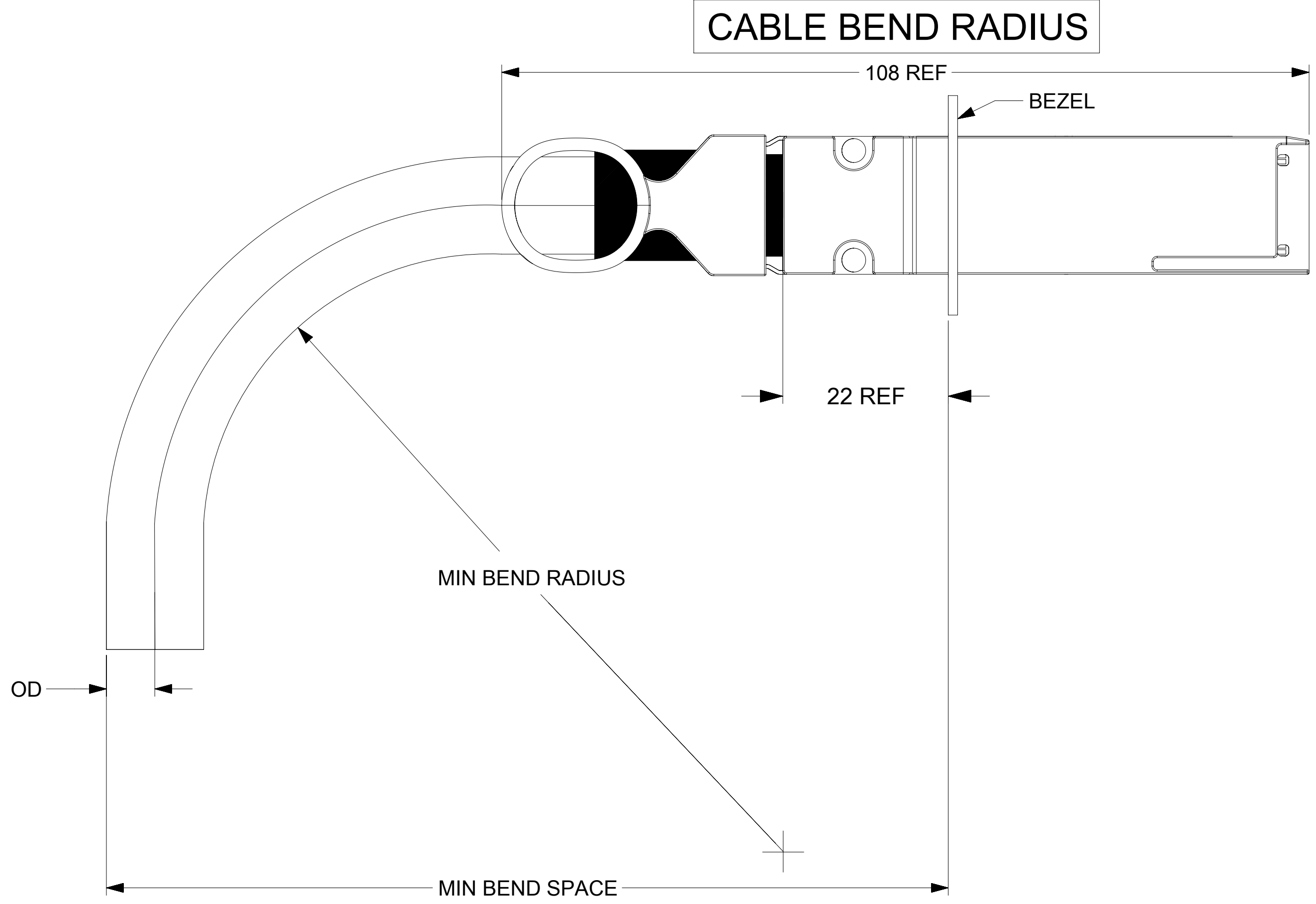


- NOTES:**
- CABLE LENGTH DEPENDS ON WIRE GAUGE, DATA RATE, AND HOST BOARD DRIVER CAPABILITIES
  - MATERIALS:**
    - BACKSHELLS - ZINC DIE CAST WITH BRIGHT NICKEL PLATING
    - DELATCH - STAINLESS STEEL WITH OVERMOLDED NYLON
    - PCB - HALOGEN FREE
    - RAW CABLE JACKET- PVC
    - RIVETS - STAINLESS STEEL
  - IMPEDANCE - 100 OHMS DIFFERENTIAL
  - 'P1' LABEL REQUIRED ON zQ END, 'P2' & 'P3' LABELS REQUIRED ON BOTH 2zQ ENDS
  - RoHS COMPLIANT, NO EXEMPTIONS
  - ALL PART NUMBERS MAY USE TEMPFLX OR BELDEN CABLE

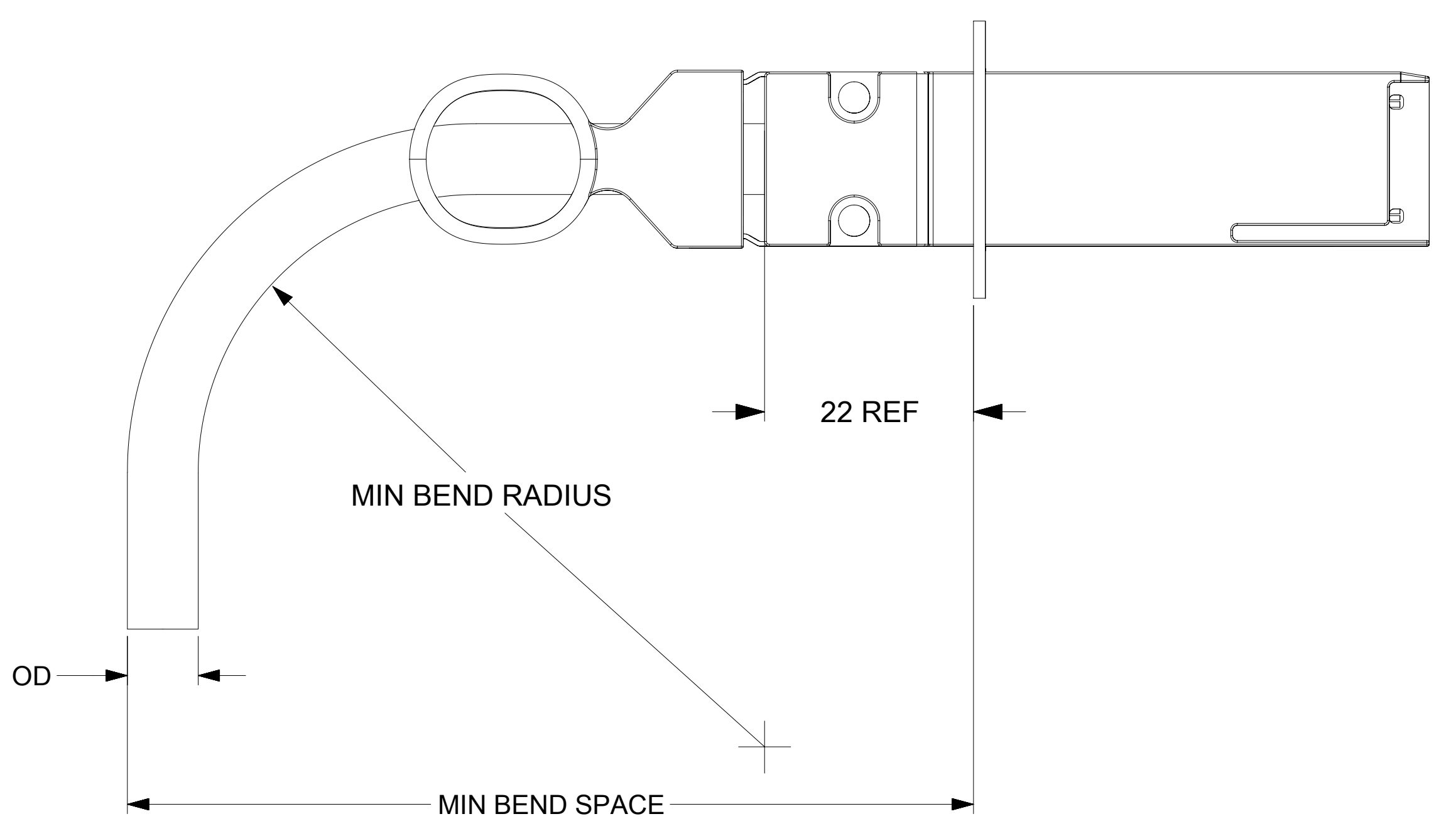
THIS DRAWING CONTAINS INFORMATION THAT IS PROPRIETARY TO MOLEX ELECTRONIC TECHNOLOGIES, LLC AND SHOULD NOT BE USED WITHOUT WRITTEN PERMISSION

NEW PN ADDED EC NO: 112878 DRWN: MTAMBRALLI CHKD: CKUMARR REV/ APPR: ARAYBURN	2017/01/11	GENERAL TOLERANCES (UNLESS SPECIFIED)	DIMENSION UNITS	SCALE		
	2017/01/27	ANGULAR TOL ± 1.0 °	MM	2:1		
	2017/02/07	4 PLACES ±	DRWN BY	DATE		
		3 PLACES ±	MTAMBRALLI	2017/01/11		
		2 PLACES ± 0.13	CHKD BY	DATE		
		1 PLACE ± 0.25	CKUMARR	2017/01/27		
	0 PLACES ±	APPR BY	DATE	PRODUCT CUSTOMER DRAWING		
	DRAFT WHERE APPLICABLE MUST REMAIN WITHIN DIMENSIONS	ARAYBURN	2017/02/07	SERIES	MATERIAL NUMBER	CUSTOMER
				100346	SEE PN TABLE	GENERAL MARKET
				DOCUMENT NUMBER	DOC TYPE	DOC PART SHEET NUMBER
				1003461051	PSD	001 1 OF 3

RELEASE STATUS	P1	RELEASE DATE	18.11.2016	14:55:45
----------------	----	--------------	------------	----------

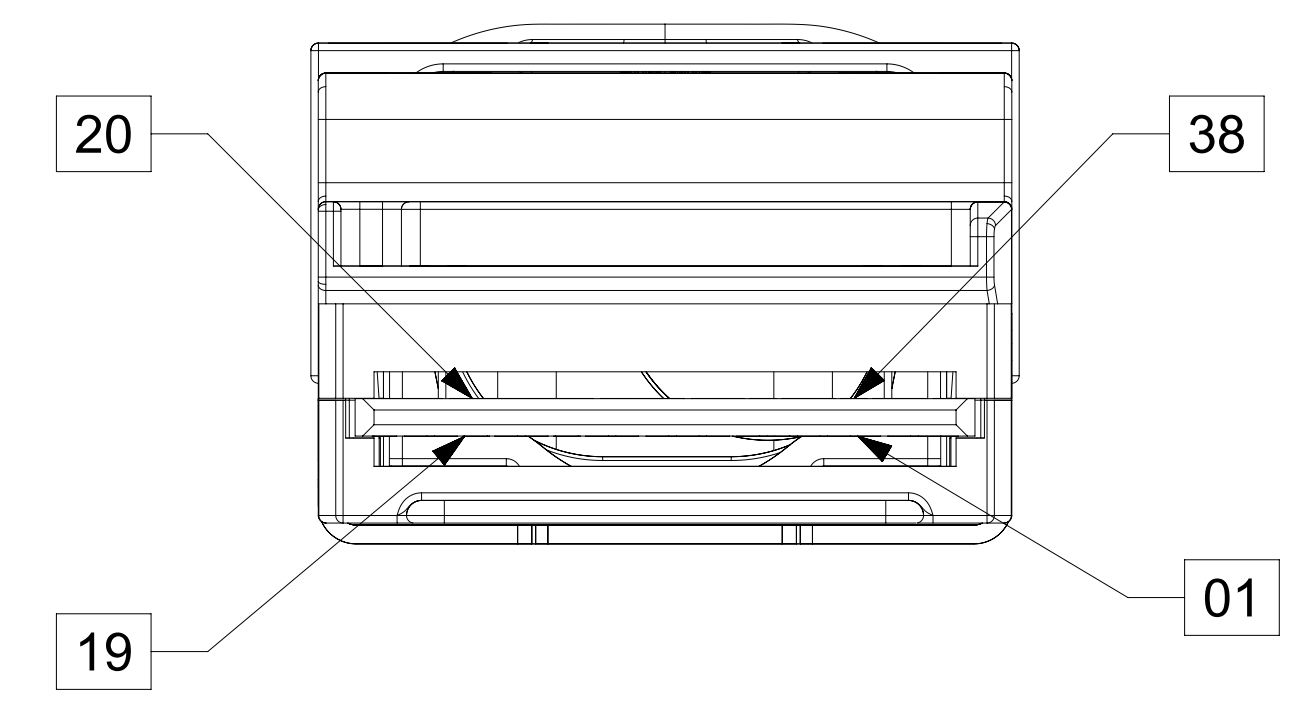


CABLE AWG	MINIMUM BEND RADIUS (mm)	MINIMUM BEND SPACE (mm)
30	28	61
28	30	64
26	38	75



CABLE AWG	MINIMUM BEND RADIUS (mm)	MINIMUM BEND SPACE (mm)
30	28	55
28	30	58
26	38	67

**PINOUT**



**LOW SPEED SIGNALS  
P1, P2 & P3**

PAD	SIGNAL
08	ModSelL
09	ResetL
10	VccRx
11	SCL
12	SDA
27	ModPrsL
28	IntL
29	VccTx
30	Vcc1
31	LPMODE

**WIRING DIAGRAM**

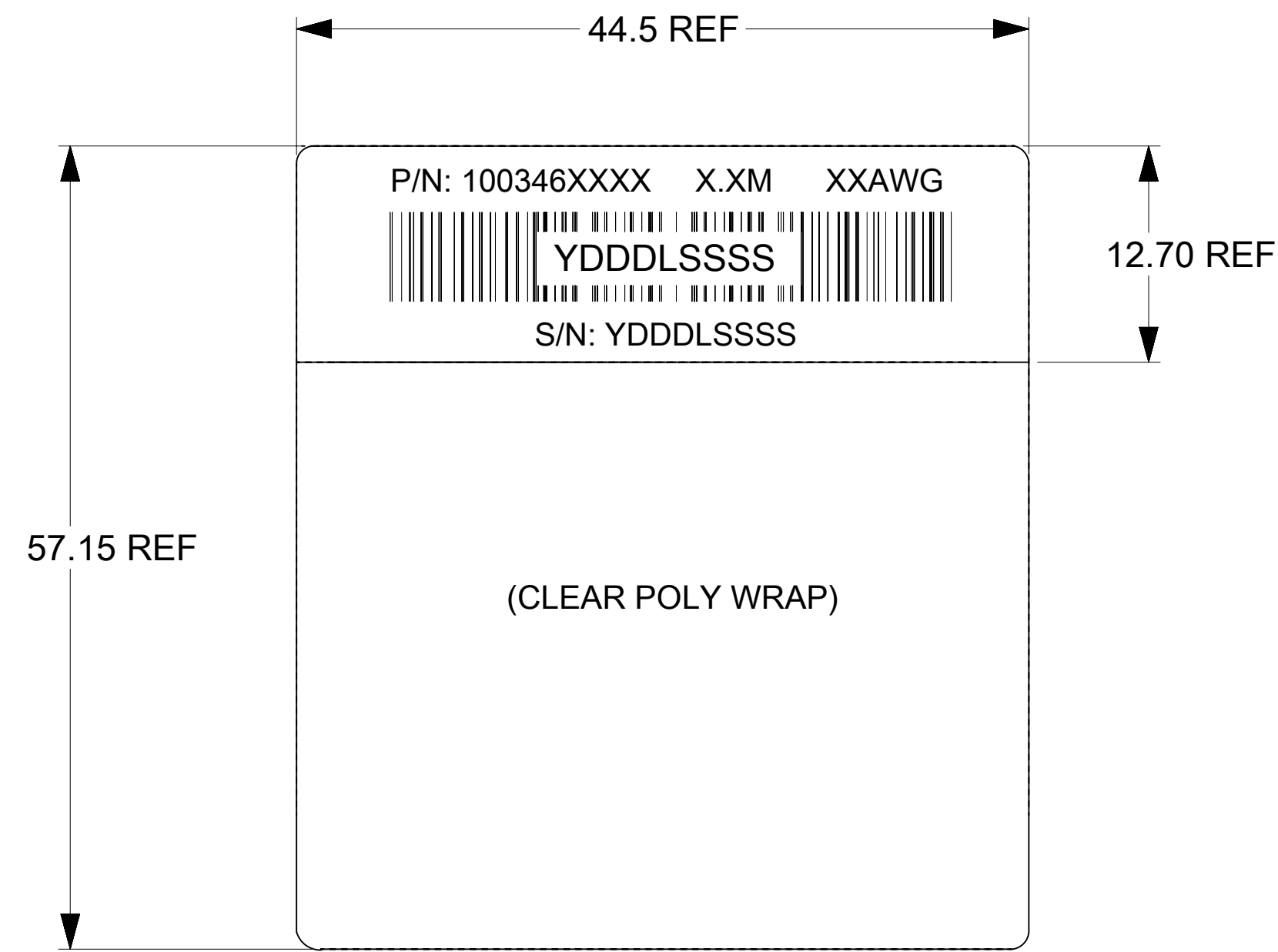
QSFP P1		QSFP		
PAD	SIGNAL	SIGNAL	PAD	PLUG
38	GND	GND	19	P2
37	TX1-	Rx1-	18	
36	TX1+	Rx1+	17	
35	GND	GND	16	
19	GND	GND	38	
17	RX1+	Tx1+	36	
18	RX1-	Tx1-	37	
16	GND	GND	35	
01	GND	GND	20	
02	TX2-	Rx2-	21	
03	TX2+	Rx2+	22	
04	GND	GND	23	
20	GND	GND	01	
22	RX2+	Tx2+	03	
21	RX2-	Tx2-	02	
23	GND	GND	04	
35	GND	GND	19	
34	TX3-	Rx1-	18	
33	TX3+	Rx1+	17	
32	GND	GND	16	
16	GND	GND	38	
13	GND	GND	35	
14	RX3+	Tx1+	36	
15	RX3-	Tx1-	37	
04	GND	GND	20	
05	TX4-	Rx2-	21	
06	TX4+	Rx2+	22	
07	GND	GND	23	
23	GND	GND	01	
26	GND	GND	04	
25	RX4+	Tx2+	03	
24	RX4-	Tx2-	02	

QSFP+ PADS 1, 4, 7, 13, 16, 19, 20, 23, 26, 32, 35 AND 38 ARE GND

THIS DRAWING CONTAINS INFORMATION THAT IS PROPRIETARY TO MOLEX ELECTRONIC TECHNOLOGIES, LLC AND SHOULD NOT BE USED WITHOUT WRITTEN PERMISSION

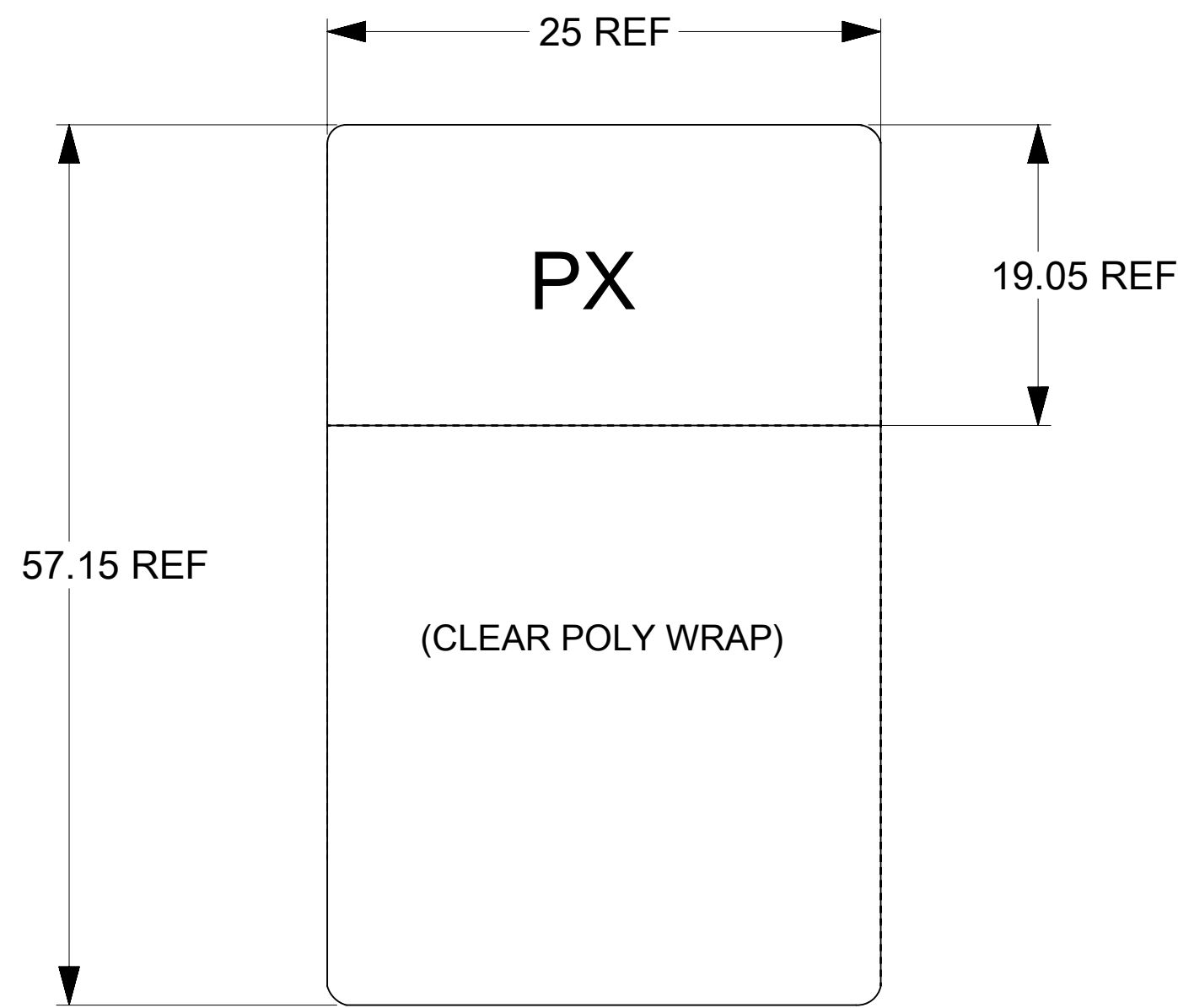
NEW PN ADDED EC NO: 112878 DRWN: MTAMBRALLI CHKD: CKUMARR REV/ APPR: ARAYBURN	2017/01/11	GENERAL TOLERANCES (UNLESS SPECIFIED) ANGULAR TOL ± 1.0 ° 4 PLACES ± 3 PLACES ± 2 PLACES ± 0.13 1 PLACE ± 0.25 0 PLACES ± DRAFT WHERE APPLICABLE MUST REMAIN WITHIN DIMENSIONS	DIMENSION UNITS	SCALE	<p>ZQSFP+ TO 2X ZQSFP+ BREAKOUT CABLE ASSEMBLY</p> <p>PRODUCT CUSTOMER DRAWING</p>			
	2017/01/27		MM	2:1				
	2017/02/07		DRWN BY	DATE		MTAMBRALLI 2017/01/11		
			CHKD BY	DATE		CKUMARR 2017/01/27		
			APPR BY	DATE		ARAYBURN 2017/02/07		
	DRAWING SIZE	THIRD ANGLE PROJECTION	D		SERIES	MATERIAL NUMBER	CUSTOMER	
					100346	SEE PN TABLE	GENERAL MARKET	
					DOCUMENT NUMBER	DOC TYPE	DOC PART	SHEET NUMBER
					1003461051	PSD	001	2 OF 3

**LABEL DETAILS**



P/N: 100346XXXX - MOLEX PART NUMBER (SEE P/N TABLE)  
 X.XM - CABLE LENGTH IN METERS (EXAMPLES - 0.5M, 1.0M)  
 S/N: YDDDLSSSS - SERIAL NUMBER  
 Y - YEAR, THE LAST DIGIT OF YEAR  
 DDD - DAY OF THE YEAR  
 L - LOCATION  
 1 - USA  
 2 - MEXICO  
 3 - CHINA  
 4 - PHILIPPINES  
 SSSS - SERIAL NUMBER (0001-9999)

**END LABEL**



'P2' & 'P3' LABELS REQUIRED ON BOTH 2zQ ENDS.  
 'P1' LABEL REQUIRED ON zQ END.  
 PX - P1/P2/P3 ENDS

MOLEX P/N	LENGTH(M)	TOL.(M)	AWG	RAW CABLE
1003461051	0.5	±0.05	30	TEMPFLEX
1003461071	0.75	±0.05	30	
1003461101	1.0	±0.05	30	
1003461151	1.5	±0.08	30	
1003461201	2.0	±0.08	30	
1003461251	2.5	±0.08	30	
1003461301	3.0	±0.08	30	
1003462051	0.5	±0.05	28	
1003462071	0.75	±0.05	28	
1003462101	1.0	±0.05	28	
1003462151	1.5	±0.05	28	
1003462201	2.0	±0.08	28	
1003462251	2.5	±0.08	28	
1003462301	3.0	±0.08	28	
1003463051	0.5	±0.05	26	
1003463071	0.75	±0.05	26	
1003463101	1.0	±0.05	26	
1003463151	1.5	±0.05	26	
1003463201	2.0	±0.08	26	
1003463251	2.5	±0.08	26	
1003463301	3.0	±0.08	26	
1003463351	3.5	±0.08	26	
1003463401	4.0	±0.08	26	
1003463451	4.5	±0.08	26	
1003463501	5.0	±0.08	26	
1003465051	0.5	±0.05	30	BELDEN
1003465071	0.75	±0.05	30	
1003465101	1.0	±0.05	30	
1003465151	1.5	±0.08	30	
1003465201	2.0	±0.08	30	
1003465251	2.5	±0.08	30	
1003465301	3.0	±0.08	30	

THIS DRAWING CONTAINS INFORMATION THAT IS PROPRIETARY TO MOLEX ELECTRONIC TECHNOLOGIES, LLC AND SHOULD NOT BE USED WITHOUT WRITTEN PERMISSION

NEW P/N ADDED EC NO: 112878 DRWN: MTAMBRALLI CHKD: CKUMARR REV: APPR: ARAYBURN	2017/01/11	GENERAL TOLERANCES (UNLESS SPECIFIED)	DIMENSION UNITS	SCALE	<b>molex</b>  ZQSFP+ TO 2X ZQSFP+ BREAKOUT CABLE ASSEMBLY  PRODUCT CUSTOMER DRAWING
	2017/01/27	ANGULAR TOL ± 1.0 °	MM	1:1	
	2017/02/07	4 PLACES ±	DRWN BY	DATE	
		3 PLACES ±	MTAMBRALLI	2017/01/11	
	2 PLACES ± 0.13	CHKD BY	DATE		
	1 PLACE ± 0.25	CKUMARR	2017/01/27		
	0 PLACES ±	APPR BY	DATE		
		ARAYBURN	2017/02/07		
	DRAFT WHERE APPLICABLE MUST REMAIN WITHIN DIMENSIONS	DRAWING SIZE	THIRD ANGLE PROJECTION		
		D			
		SERIES	MATERIAL NUMBER	CUSTOMER	
		100346	SEE PN TABLE	GENERAL MARKET	
		DOCUMENT NUMBER	DOC TYPE	DOC PART	SHEET NUMBER
		1003461051	PSD	001	3 OF 3