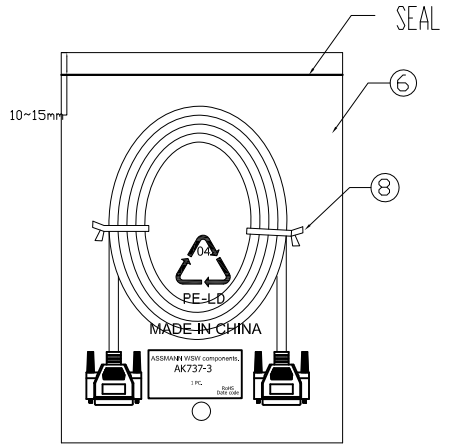


① PIN ASSIGNMENT

P1	P2
1	1
18	18
2	2
19	19
3	3
19	19
4	4
20	20
5	5
20	20
6	6
21	21
7	7
21	21
8	8
22	22
9	9
22	22
10	10
24	24
11	11
23	23
12	12
24	24
13	13
24	24
14	14
25	25
16	16
25	25
15	15
23	23
17	17
25	25
SHELL	SHELL

Electrical test:
 1. 100% short, open, miss wire test
 2. Conduct resistance: 5 Ohm(max)
 3. Insulation resistance: 5Mohm(min)
 4. dielectric test: DC 300V



NO.	NAME	Q'TY	SPECIFICATION
⑧	TIE	2	WHITE
⑦	PE BAG	1/5	CLEAR PRINT BLACK"MADE IN CHINA"+"10PCS".
⑥	PE BAG	1	CLEAR PRINT BLACK"MADE IN CHINA".
⑤	TUBE	2	HEAT SHRINK TUBE BLACK OD1.5*20MM
④	SCREW	4	#4-40UNC TYPE D-E L=30mm,NICKEL PLATED,MOLD:BEIGE(IV-29) ABS
③	IN JACKET	18g	CLEAR LD-PE (Mould NO.:NM-33)
	OUT JACKET	60g	BEIGE(IV-29) 40P PVC(Mould NO.WM-071)
②	CONN	2	DB 25P MALE SODER TYPE PIN G/F SHELL NI-PLATED INSULATOR COLOR:BLUE
①	CABLE	1	UL20276 28AWG(7/0.12TC)*18P+D(26AWGTC)+AL/MY+BRAID(85%) OD7.5mm JACKET:BEIGE(IV-29) L=3000±15mm.

WSW P/N	Length	⑥ PE BAG	⑦ PE BAG
AK737-3	3000±50	210*250*0.05mm	360*380*0.05mm
AK738-5	5000±50	210*280*0.05mm	360*380*0.05mm

RoHS compliant
Unit: mm

Scale	Free					Date	Name	Customer-No.
TOLERANCE						Drawn	20.02.2017	Amy
						Approved	20.02.2017	Amy
DIM	TOL	①	Delete the wire color for pin assignment	04.09.2017	Fred			
		②	Drawn	20.02.2017	Amy			
Angle	TOL	Id.	Modification	Date	Name	Replace	ASS 7888 CA	rev01