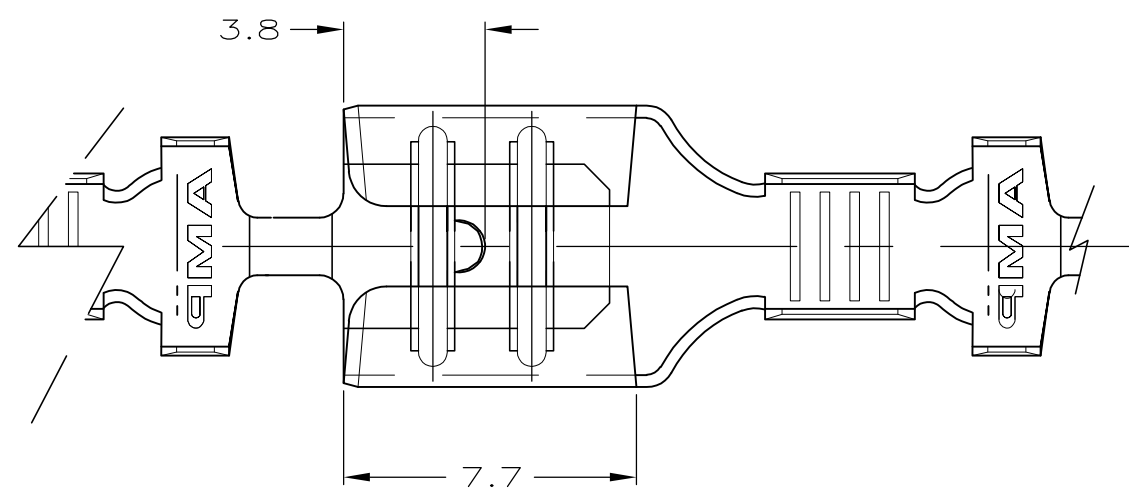
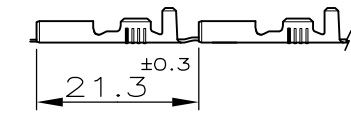


THIS DRAWING IS UNPUBLISHED. RELEASED FOR PUBLICATION
 © COPYRIGHT - By - ALL RIGHTS RESERVED.

LOC	DIST	REVISIONS					
		P	LTR	DESCRIPTION	DATE	DWN	APVD
1	-		AW7	REVISED PER ECO-11-005301	02MAR11	RK	HMR



1) STATO DI FORNITURA - SCALA 1:1
 (SUPPLY CONDITION - SCALE 1:1)



SENSO DI USCITA
 DEL TERMINALE
 DALLA BOBINA
 (DIRECTION OFF
 TOP OF REEL)

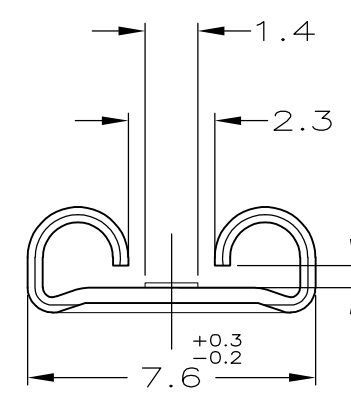
2) SPECIFICA DI PRODOTTO 108-20019
 (PRODUCT SPEC. 108-20019)
 SPECIFICA DI APPLICAZIONE 114-20023
 (APPLICATION SPEC. 114-20023).

3) PER LE VERSIONI IN PEZZI SCIOLTI
 VEDERE DISEGNO 160506
 (FOR LOOSE PIECE VERSION SEE DRAWING 160506).

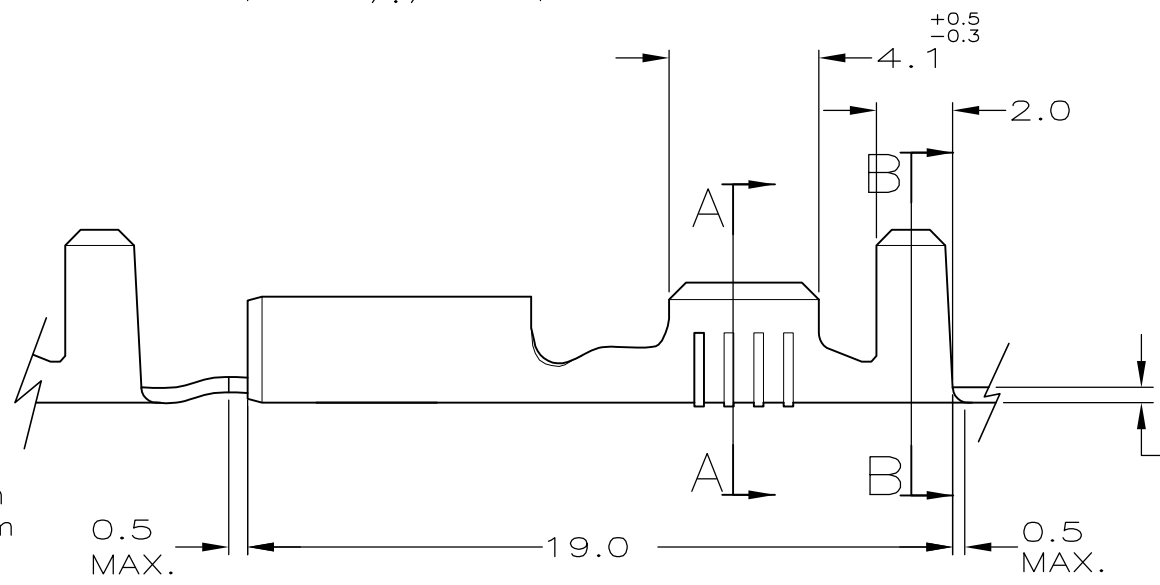
4) NON IN PRODUZIONE
 (NOT YET RELEASE FOR PRODUCTION)

5) ADATTO PER ALTA FORZA DI ESTRAZIONE
 (SUITABLE FOR HIGHER EXTRACTION FORCE)

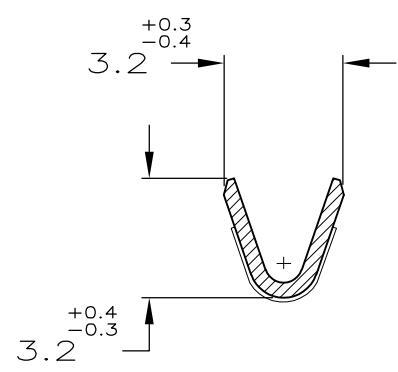
6) ADATTO PER TAB SPESSO 0.63mm.
 (FOR 0.63mm TAB THK.)



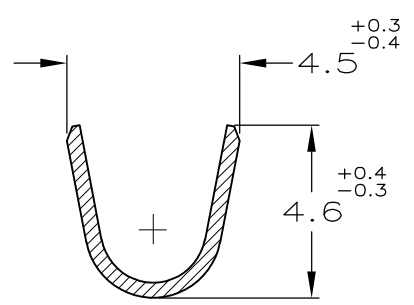
FOR 0.8mm
 & 0.63mm
 TAB THK.



SEZIONE A-A
 (SECTION A-A)



SEZIONE B-B
 (SECTION B-B)



6/4	STAGNATO (TINPLATED)	OTTONE (BRASS)	7-160432-3	AY
5/4	STAGNATO (TINPLATED)	OTTONE (BRASS)	7-160432-2	AW
5/4	NUDO (UNPLATED)	OTTONE (BRASS)	7-160432-1	AW
	STAGNATO (TINPLATED)	OTTONE (BRASS)	7-160432-0	AU
	NUDO (UNPLATED)	BRONZO FOSF.(PH. BRONZE)	6-160432-4	AU
	PRE NICHELATO (PRE NICKEL PLATED)	ACCIAIO (STEEL)	6-160432-3	AU
	STAGNATO (TINPLATED)	BRONZO FOSF.(PH. BRONZE)	6-160432-0	AU
	ARGRNTATO (SILVER PLATED)	OTTONE (BRASS)	5-160432-7	AW
	STAGNATO (TINPLATED)	OTTONE (BRASS)	5-160432-4	AU
	NUDO (UNPLATED)	OTTONE (BRASS)	5-160432-3	AW
NOTE (NOTES)	FINITURA (FINISH)	MATERIALE (MATERIAL)	NUMERO (P/N)	REV

THIS DRAWING IS A CONTROLLED DOCUMENT.

DWN H.YAALI 14 MAY 99	 TE Connectivity FASTON® Connector .250 SERIES REC. CONTACT	
CHK C.TARTARI 14 MAY 99		
APVD -		
DIMENSIONS: mm	TOLERANCES UNLESS OTHERWISE SPECIFIED: ±0.3	NAME
0 PLC ±	1 PLC ±	PRODUCT SPEC
2 PLC ±	3 PLC ±	APPLICATION SPEC
4 PLC ±	ANGLES ±2°	SIZE
MATERIAL/MATERIALE	FINISH/FINITURA	CAGE CODE
SEE TABLE (VEDI LA TABELLA)	SEE TABLE (VEDI LA TABELLA)	DRAWING NO
		RESTRICTED TO
		SCALE
		SHEET
		1 OF 1
		REV
		AW7

CUSTOMER DRAWING