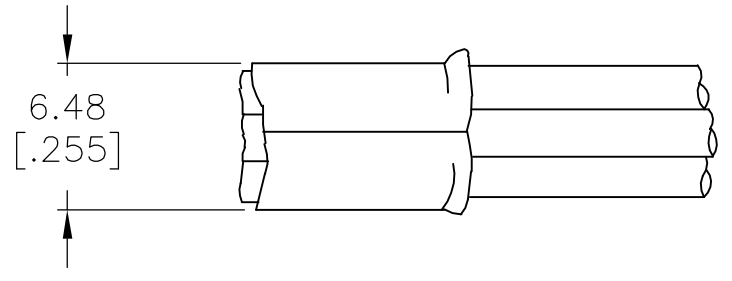
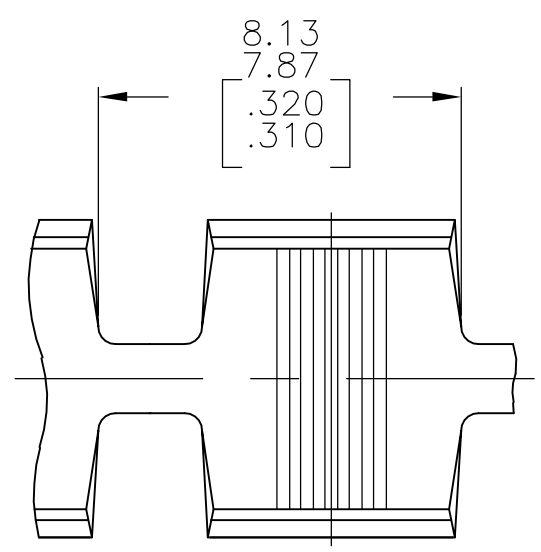


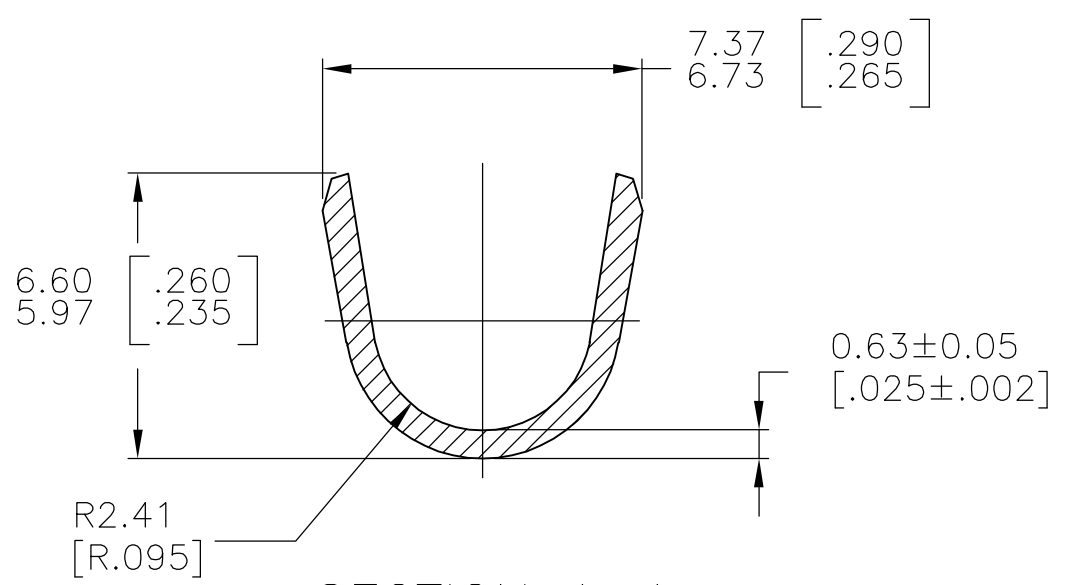
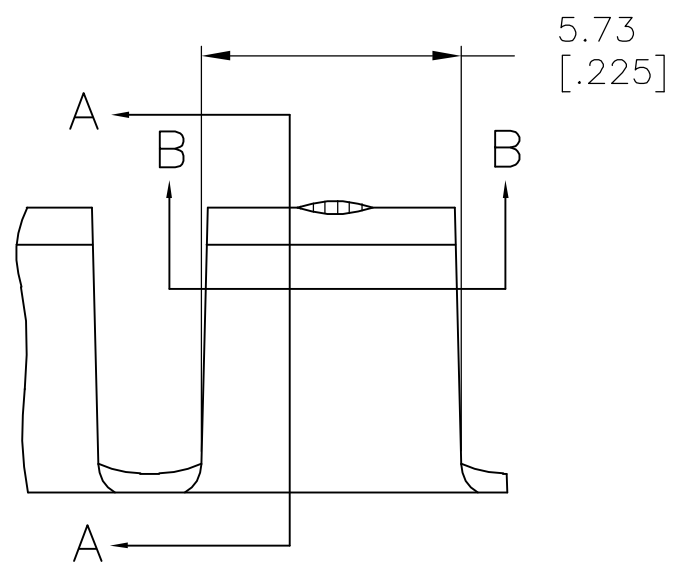
THIS DRAWING IS UNPUBLISHED. RELEASED FOR PUBLICATION  
 © COPYRIGHT BY TYCO ELECTRONICS CORPORATION. ALL RIGHTS RESERVED.

LOC	DIST	REVISIONS			
P	LTR	DESCRIPTION	DATE	DWN	APVD
AF	50	E1	ECR-06-023927(REDRAWN IN AUTOCAD)	13OCT06	HMR GP

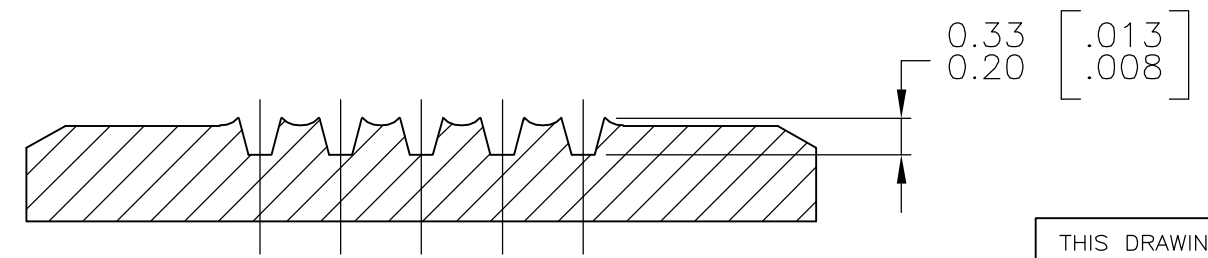


PIGTAIL CONNECTION  
CRIMPED VIEW

- 1 DIMENSIONS IN BRACKETS ARE IN INCHES
- 2 CONTINUOUS STRIP ON REELS WITH TERMINALS LOCATED ON 8.00[.315] CENTERS



SECTION A-A



SECTION B-B  
SCALE 20:1

7000 TO 12000 CMA	61074-1
WIRE RANGE	PART NO

THIS DRAWING IS A CONTROLLED DOCUMENT.		DWN RAGHAVENDRA 13OCT06	Tyco Electronics Corporation Harrisburg, PA 17105-3608	
DIMENSIONS: mm [INCHES] TOLERANCES UNLESS OTHERWISE SPECIFIED: 0 PLC ± - 1 PLC ± - 2 PLC ± - 3 PLC ± 0.38 [.015] 4 PLC ± - ANGLES ± -		CHK G.D.PORTA		
MATERIAL BRASS		FINISH TIN	PRODUCT SPEC	SPLICE (AMPLIVAR)
		WEIGHT -	APPLICATION SPEC	RESTRICTED TO -
		CUSTOMER DRAWING	SIZE A3	CAGE CODE 00779
			DRAWING NO C-61074	
			SCALE 6:1	SHEET 1 OF 1
				REV E1